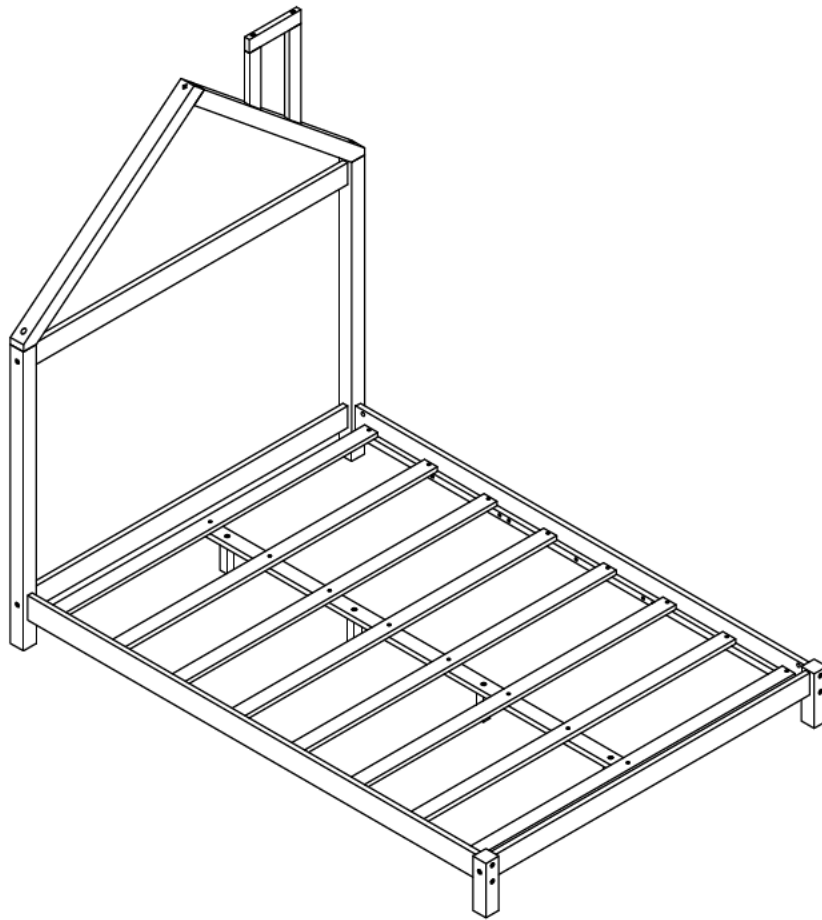


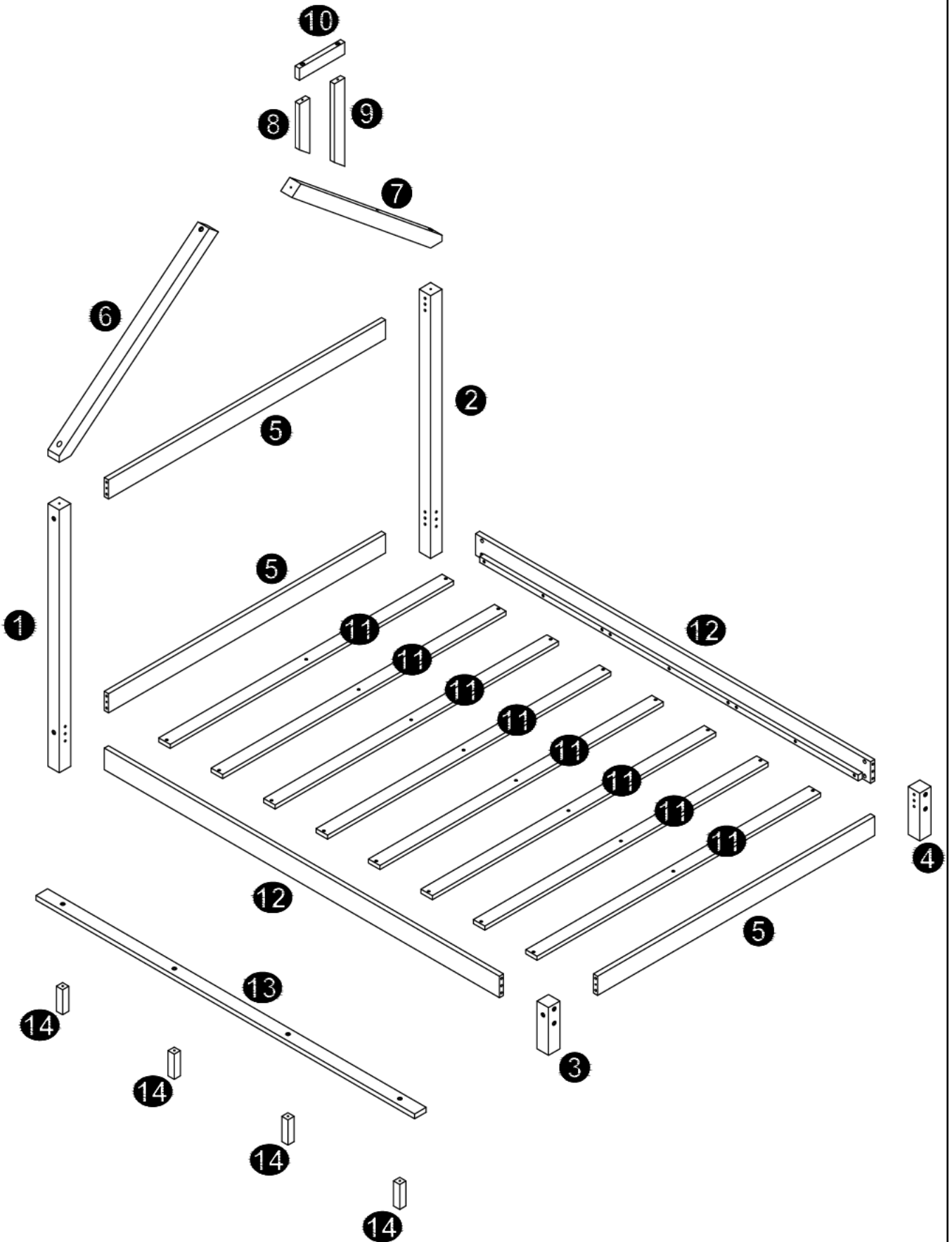
ASSEMBLY INSTRUCTIONS

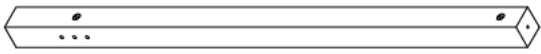
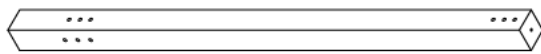


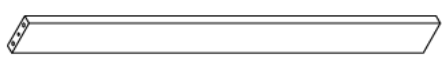
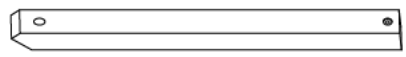


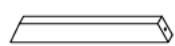
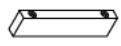
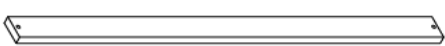



FULL SIZE DAY BED 2








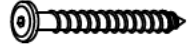


This set is included 1 boxes if don't receive full 1 boxes please contact our customer service team.

Detail View





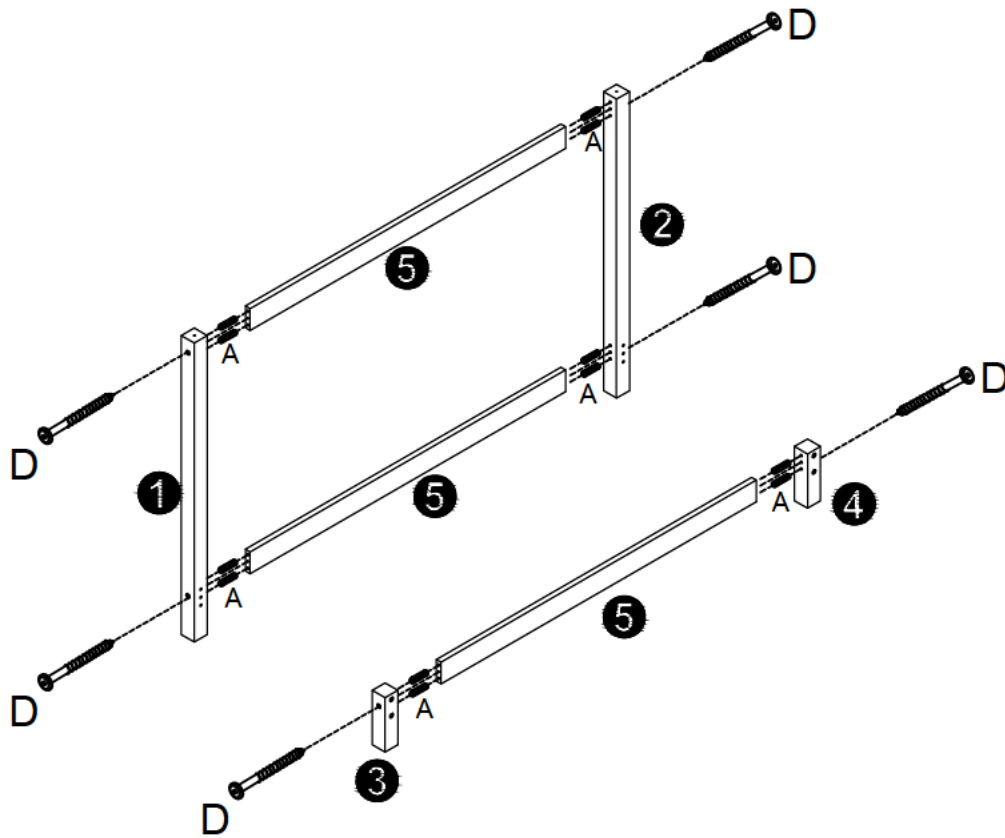
<p>1</p>  <p>Left hind leg- 1pc</p>	<p>2</p>  <p>Right hind leg- 1pc</p>
<p>3</p>  <p>Left front foot- 1pc</p>	<p>4</p>  <p>Right front foot-1pc</p>
<p>5</p>  <p>Hip bar-3pcs</p>	<p>6</p>  <p>The roof is slanted to the left-1pc</p>
<p>7</p>  <p>The roof is slanted to the right-1pc</p>	<p>8</p>  <p>Left decoration puzzle-1pc</p>
<p>9</p>  <p>Right decoration puzzle- 1pc</p>	<p>10</p>  <p>Top horizontal decoration puzzle- 1pc</p>
<p>11</p>  <p>Slat- 8pcs</p>	<p>12</p>  <p>Bed shoulder- 2pcs</p>
<p>13</p>  <p>Support bar-1pc</p>	<p>14</p>  <p>Extra leg-4pcs</p>

Hardware List




A  Ø8*30mm Wood dowel (16pcs)	B  Ø1/4"*100mm Hex-Head bolt (8pcs)	C  Ø1/4" Horizontal-Hole bolt (8pcs)
D  Ø6*100mm Hex-Head screw (6pcs)	E  #4*30mm Screw (24pcs)	F  Ø6*80mm Hex-Head screw (7pcs)
G  Ø6*50mm Hex-Head screw (4pcs)	H  K4mm Allen key (1pc)	

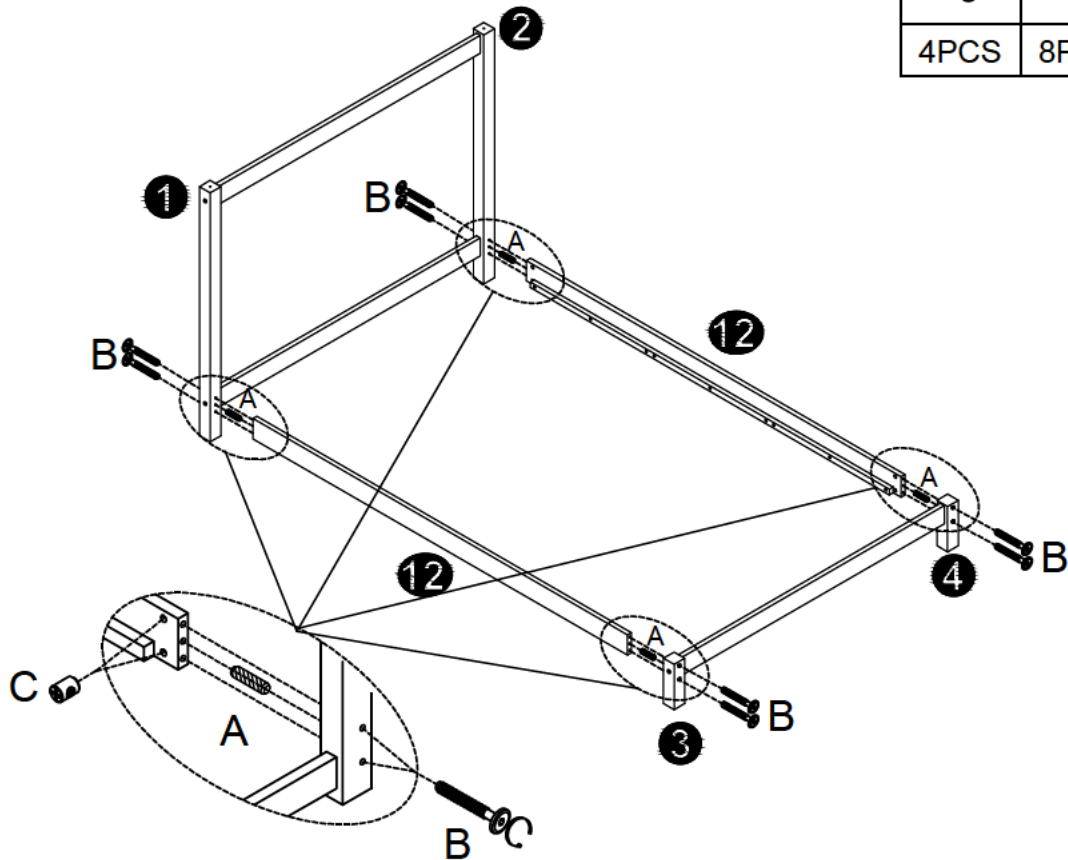
STEP 1

A	D
	
12PCS	6PCS





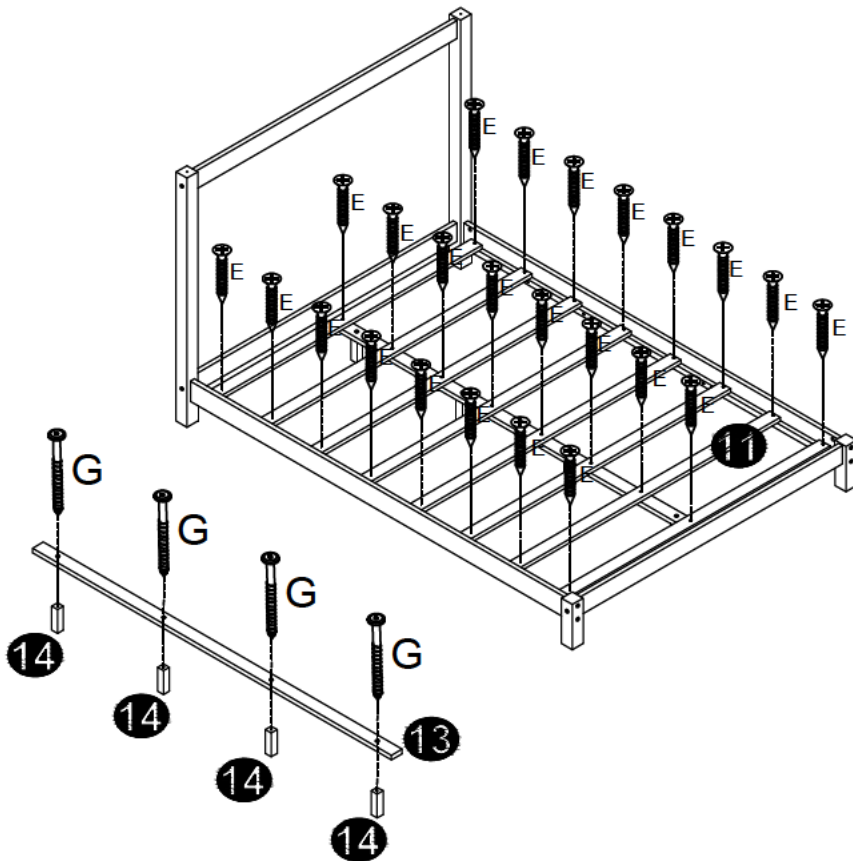
STEP 2

A	B	C
		
4PCS	8PCS	8PCS




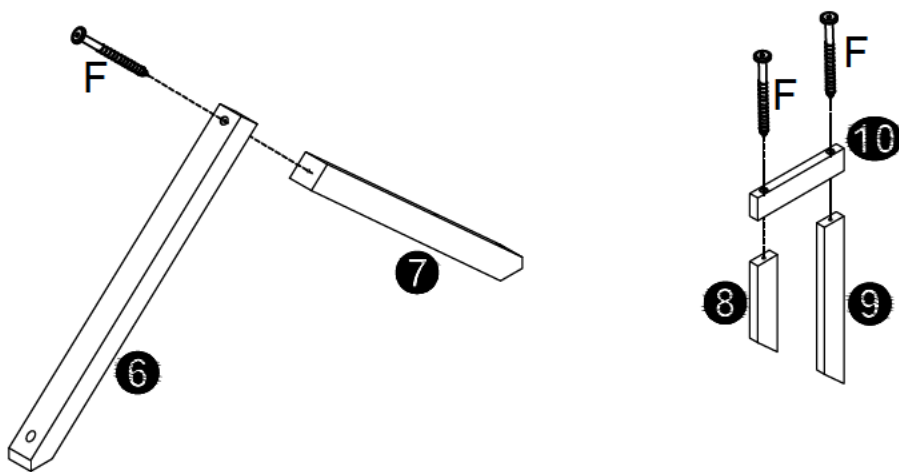
STEP 3:

G		E	
4PCS		24PCS	




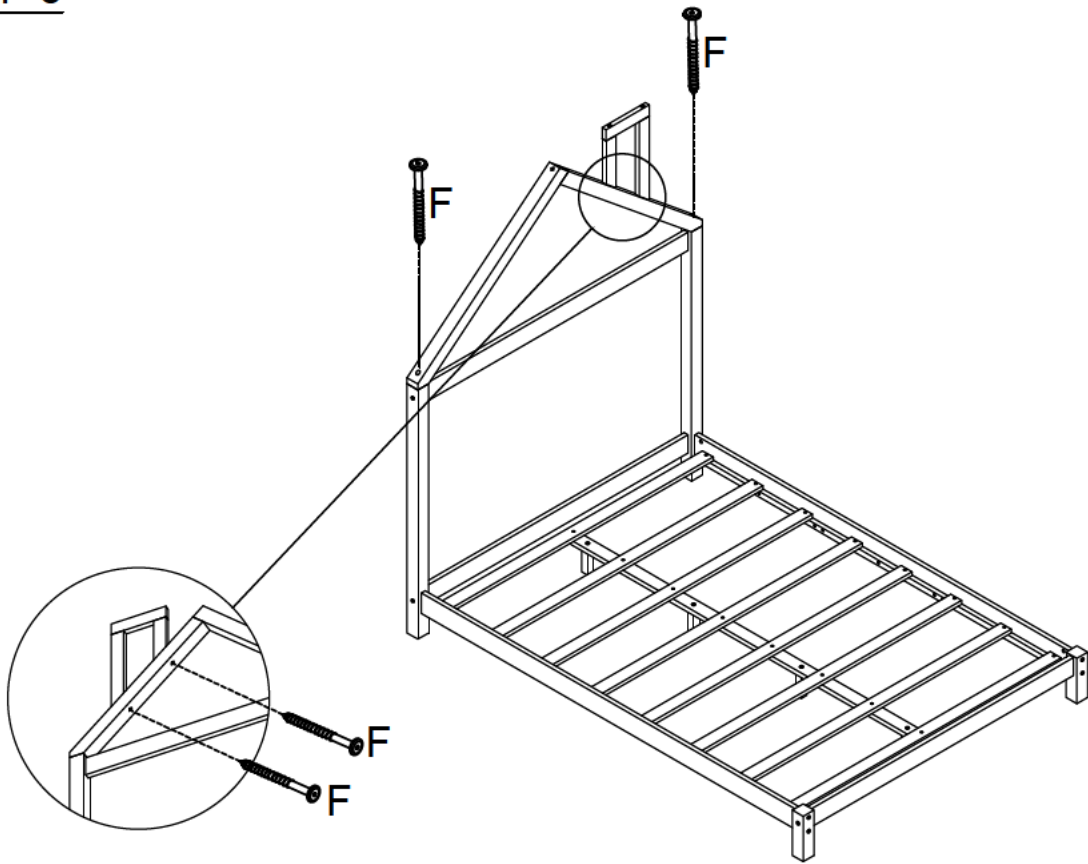
STEP 4

F	
3PCS	



STEP 5

F

4PCS



COMPLETED

