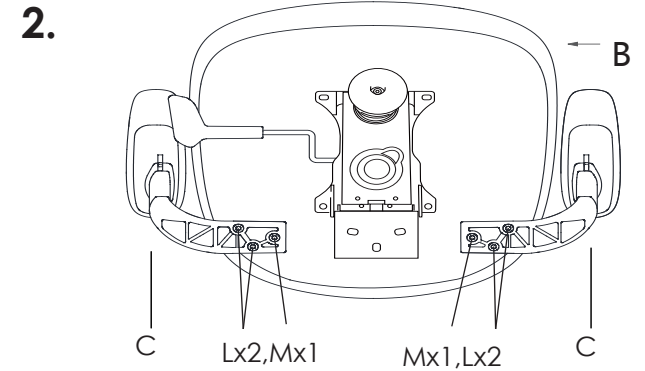
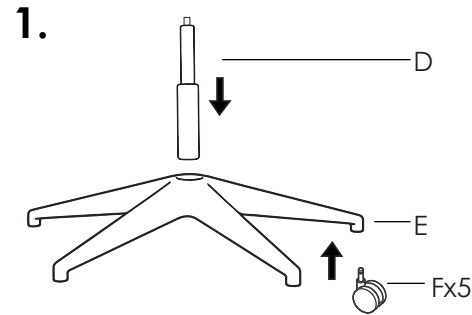

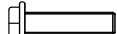
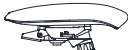

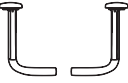




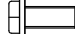

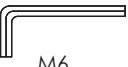


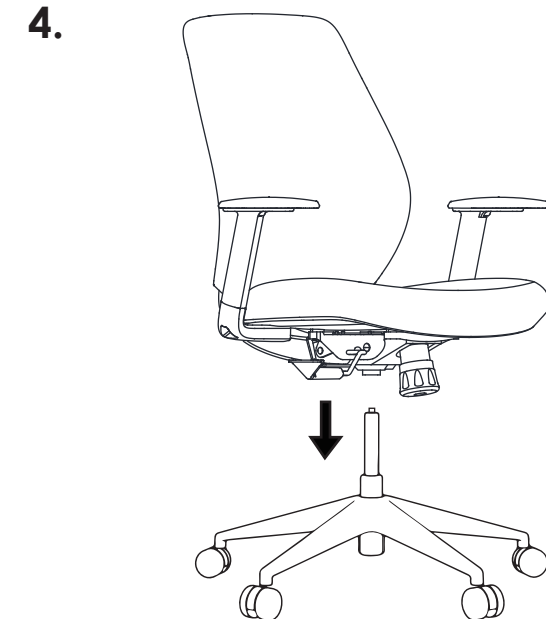
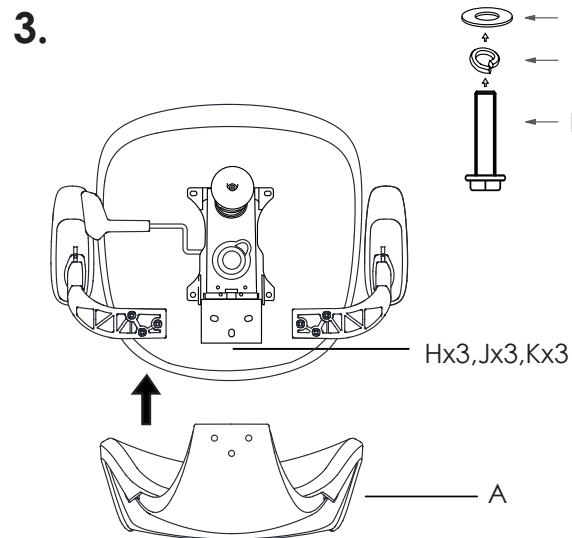
Assembly Instructions Filip LB Office Chair



PLEASE NOTE: Check that you have received all components and hardware before assembling. If you are missing any parts, contact your retailer.



Ax1 	Hx3  M8x40
Bx1 	Jx3 
Cx1+1 	Kx3 
Dx1 	Lx4  M6x35
Ex1 	Mx2  M6x25
Fx5 	
Gx1  M6	



PLEASE NOTE: Check that you have received all components and hardware before assembling. If you are missing any parts, contact your retailer.