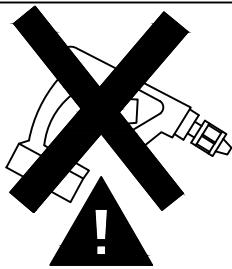
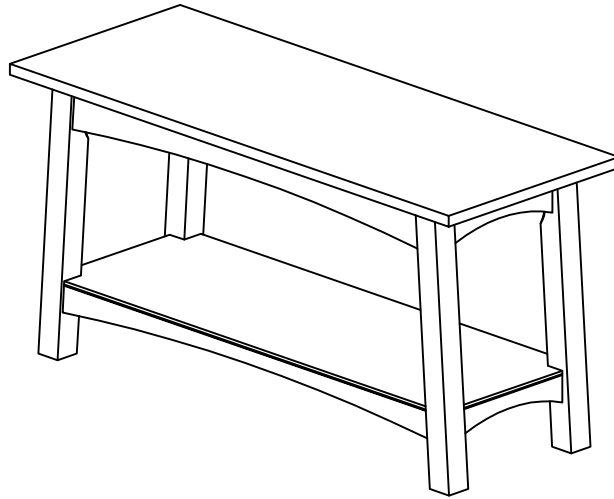
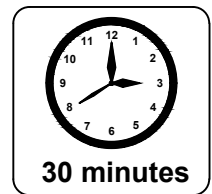
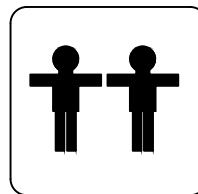


ASSEMBLY INSTRUCTION

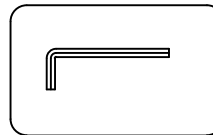
BENCH



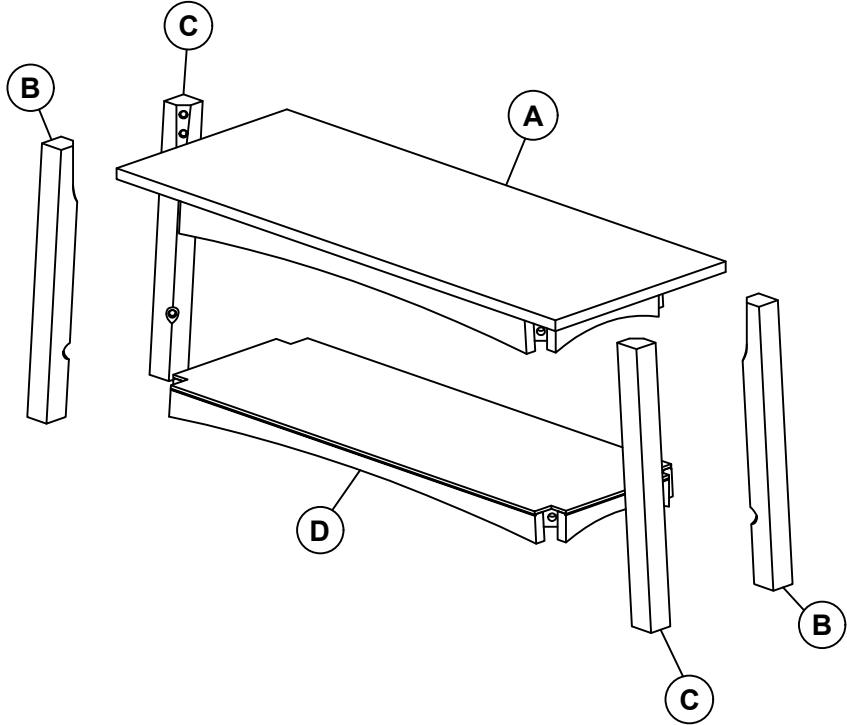
. Use of power tool to assemble this product will invalidate any claim and damage this product making it unsafe !!!
. Please assemble on a clean soft surface to avoid damage.




Tools Required

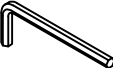


Part list - Bench



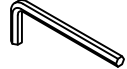
Identifying the hardware-Identify the hardware using the illustrations below

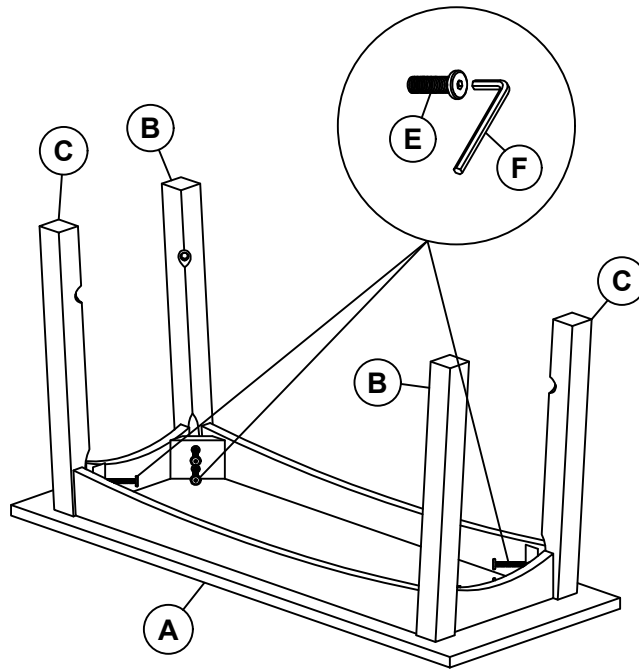
E  **12**
M6x45MM BOLT

F  **01**

Step 01

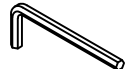
E  **08**
M6x45MM BOLT

F  **01**



Step 02

E  **04**
M6x45MM BOLT

F  **01**

