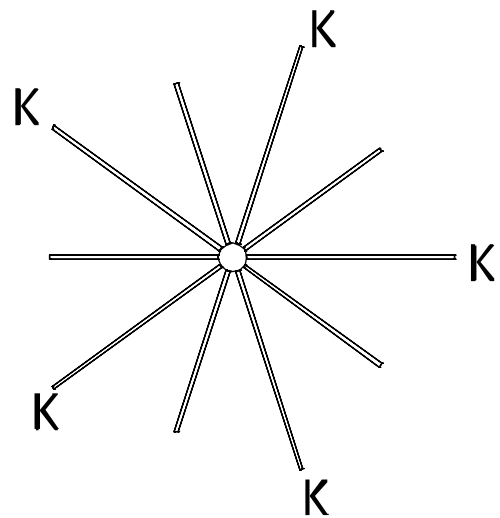
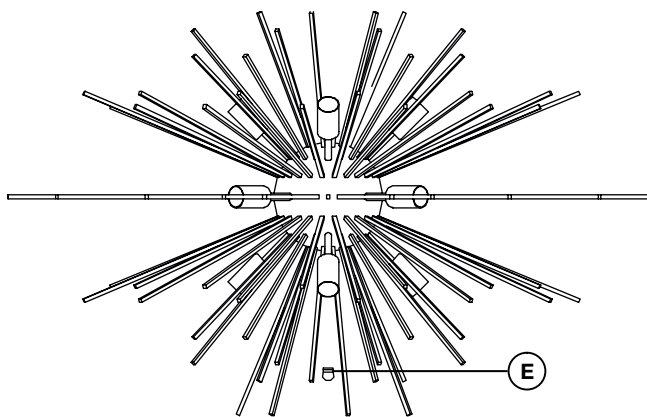
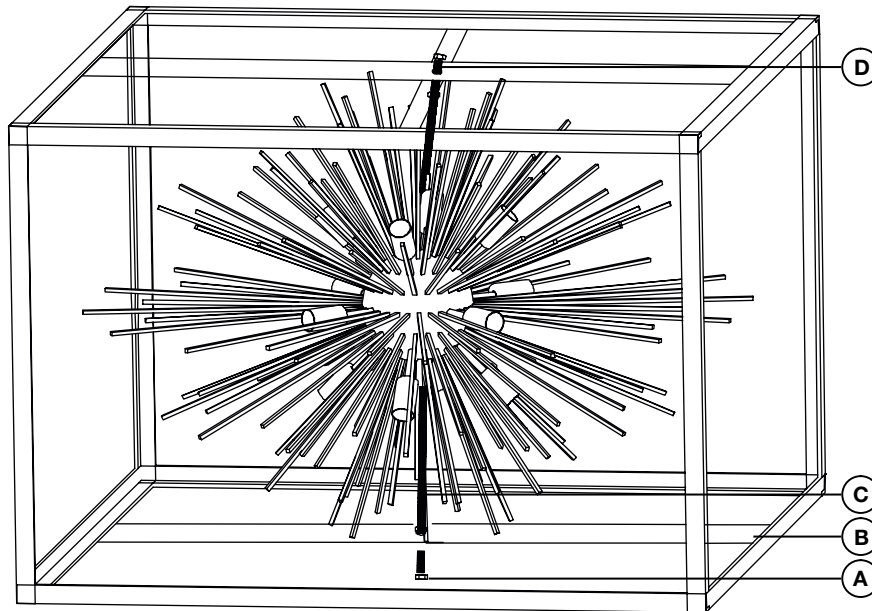




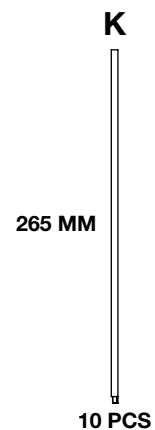
E I C H H O L T Z

110207 CHANDELIER BOIVIN BRASS FINISH

ASSEMBLY INSTRUCTION



Take the lamp including the frame from the carton.
Remove the screw (A) from the frame.
Remove the middle metal rods (B).
Remove the bottom thread C).
Remove screw (D) from the top take the chandelier out of the metal frame follow page 2 instructions on hanging the chandelier from your ceiling.
After hanging your chandelier add the finial (E) and assemble the bottom ring of spikes according to the schedule.

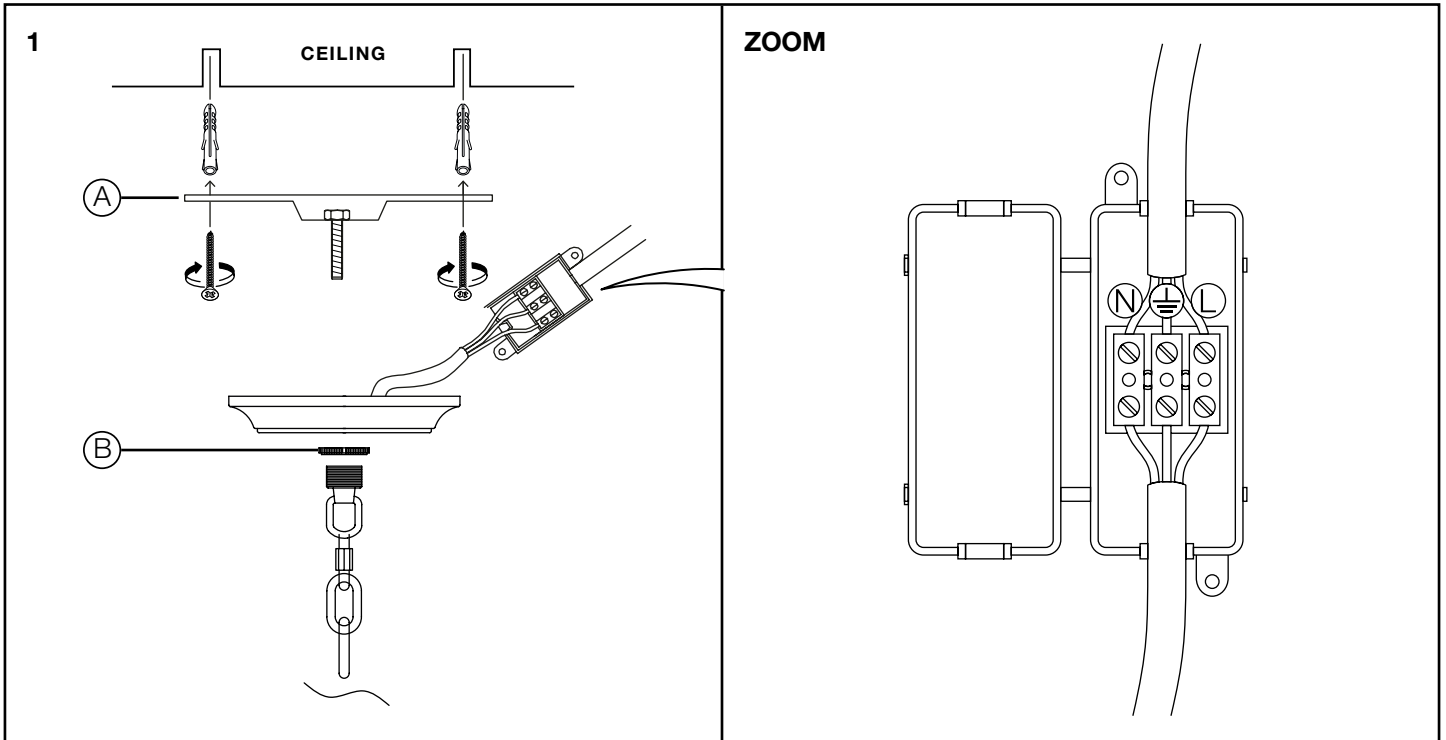




E I C H H O L T Z

110207 CHANDELIER BOIVIN BRASS FINISH

ASSEMBLY INSTRUCTION



Turn off the electricity supply at the main circuit panel before installing.
Do not connect the electricity supply until your luminaire is fully assembled and installed.

Fix the ceiling bracket (A) to the ceiling by using mounting plugs and screws suitable to your ceiling type.
Place or hold the lamp in an elevated position in such a way that the wires can freely reach the ceiling junction box.

Connect the 3 power wires according to their colours. Brown is the live wire, blue is the neutral wire, green/yellow is the earth wire.

Screw the suspension eye (with retaining nut attached) (B) to the ceiling bracket and fix it securely by tightening the retaining nut.

Check whether the connection is sufficiently strong by manually loading the chain. Carefully lower the lamp until the chain is taut. Straighten the chain links.

CARE INSTRUCTION

Wipe clean with soft, dry cloth.
Always avoid the use of harsh chemicals or abrasive cleaners as they may cause damage to the fixture's finish.

