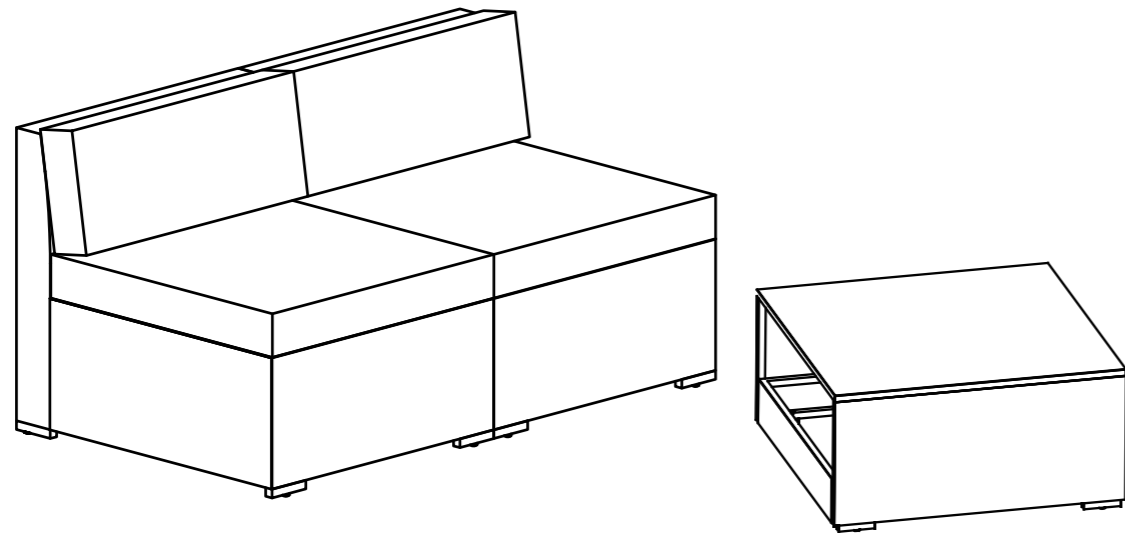


# Single sofa 2 pcs with Table



Box1	Specs
Inner contents	2 x Middle sofa plate, Code A1 2 x Middle sofa side panel, Code A2 2 x Middle sofa back panel, Code A3 1 x Tea table base, Code D1 2 x Tea table side panel, Code D2 1 x Tea table top frame, Code D3 1 x Tempered glass tabletop, Code E 2 x Back cushion, Code F 2 x Seat cushion, Code H 4 x L shape metal feet, Code 6 8 x Metal feet, Code 7 4 x Plastic clip, Code 9 1 x Screw kits with hardware, Code 1, 2, 4, 5, 8, 10, 11
Labels Instruction sheets	Sewing labels on cushions 1*Assemble sheets

THIS INSTRUCTION BOOKLET CONTAINS IMPORTANT SAFETY INFORMATION.  
PLEASE READ AND KEEP FOR FUTURE REFERENCE

IF YOU PURCHASED THE CHAIR ONLINE AND HAVE ANY  
QUESTIONS OR CONCERNS  
PLEASE CONTACT US

## WARNING:

Proper use of the chair is for single person seating only. The chair is not to be used for standing purposes and will not function as a stool or step-ladder. Use on even surfaces only. sofa tested for use at weight of 300lb (136.4kg). Table tested for use at weight of 110lb (50kg). Improper use of this product or failure to use as directed may result in injury. Not intended for commercial use.

## IMPORTANT:

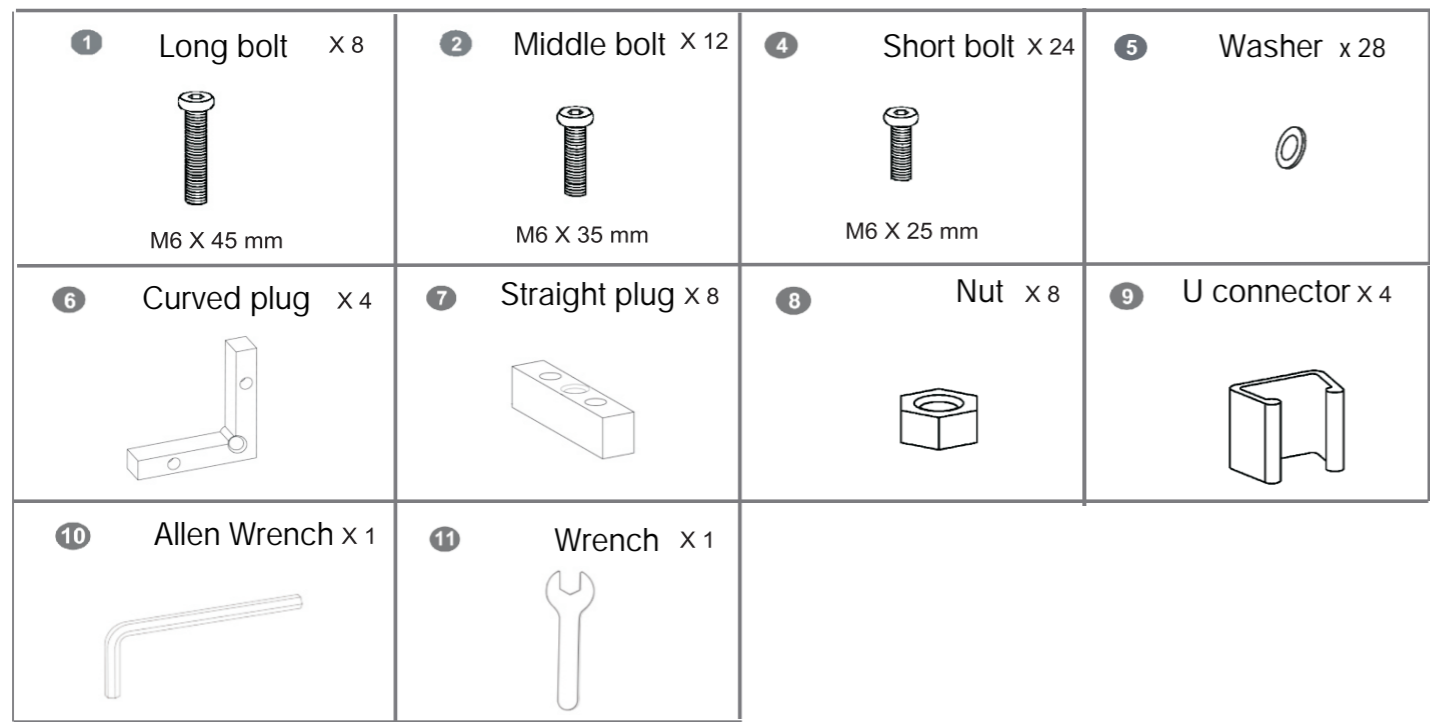
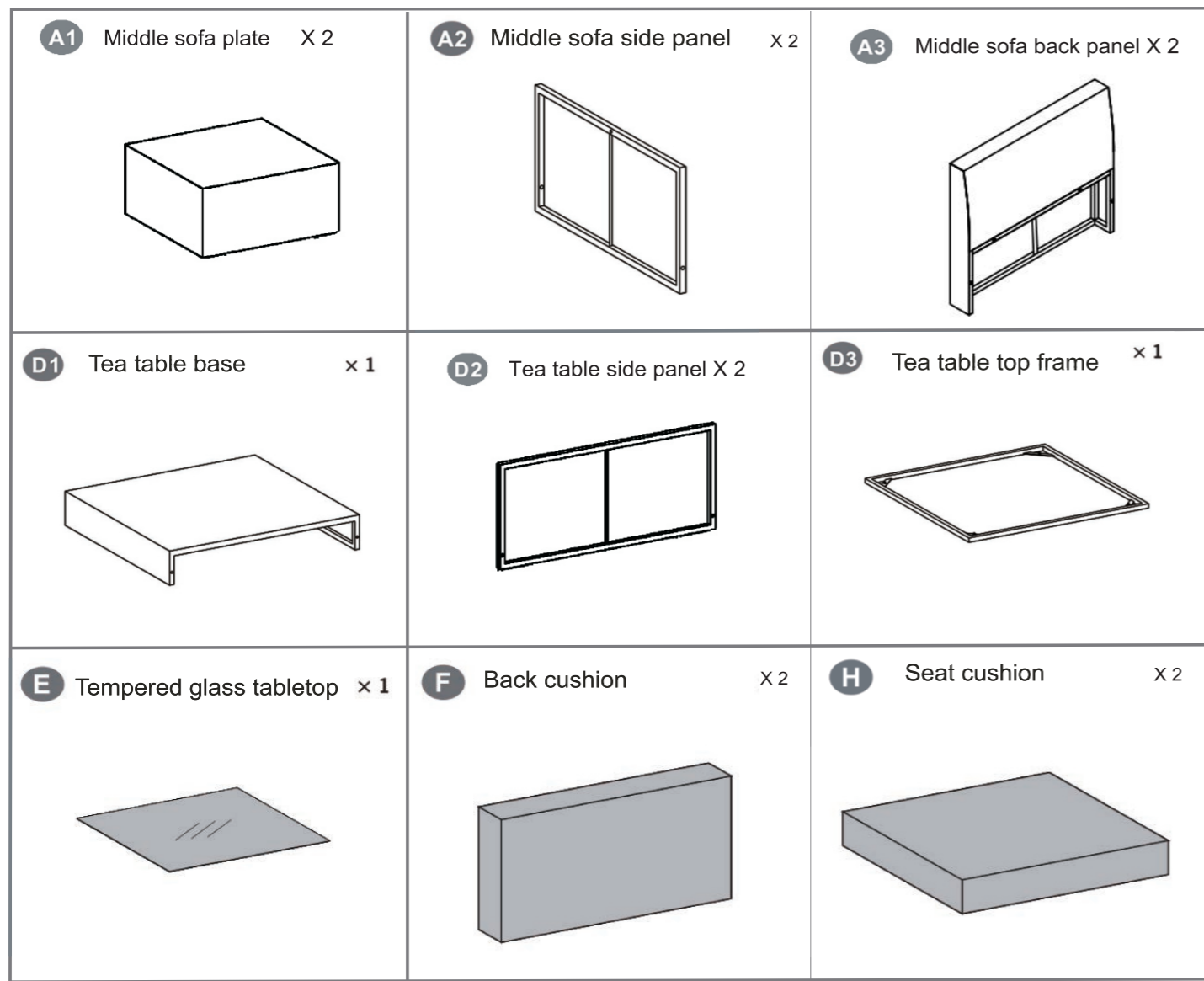
Please read all the instructions and warnings before assembling. In order to make the whole product adjust to the best, please install all the screws on the product before fully tighten, and note to put the washer to the screw before putting the screw into the screw hole.

## SAFETY INFORMATION:

- Keep all children and pets away from assembly area. Children and pets should be supervised when they are in the area of the product construction.
- Keep assembly area at least 6 feet from any obstruction such as a fence, garage, house, overhanging branches, laundry line or electrical wires.
- Some parts may contain sharp edges. When assembling and using this product, basic safety precautions should always be followed to reduce the risk of personal injury and damage to the product. Please read all instructions before assembly and use.
- Check all bolts for tightness before use. IMPORTANT - check and tighten bolts often to keep them secure!
- The chair is not to be used for standing purposes and will not function as a stool or step-ladder. Use on even surfaces only.
- The sofa use at weight of 250lb (113.4kg). Improper use of this product or failure to use as directed may result in injury. Not intended for commercial use.

## CARE & MAINTENANCE :

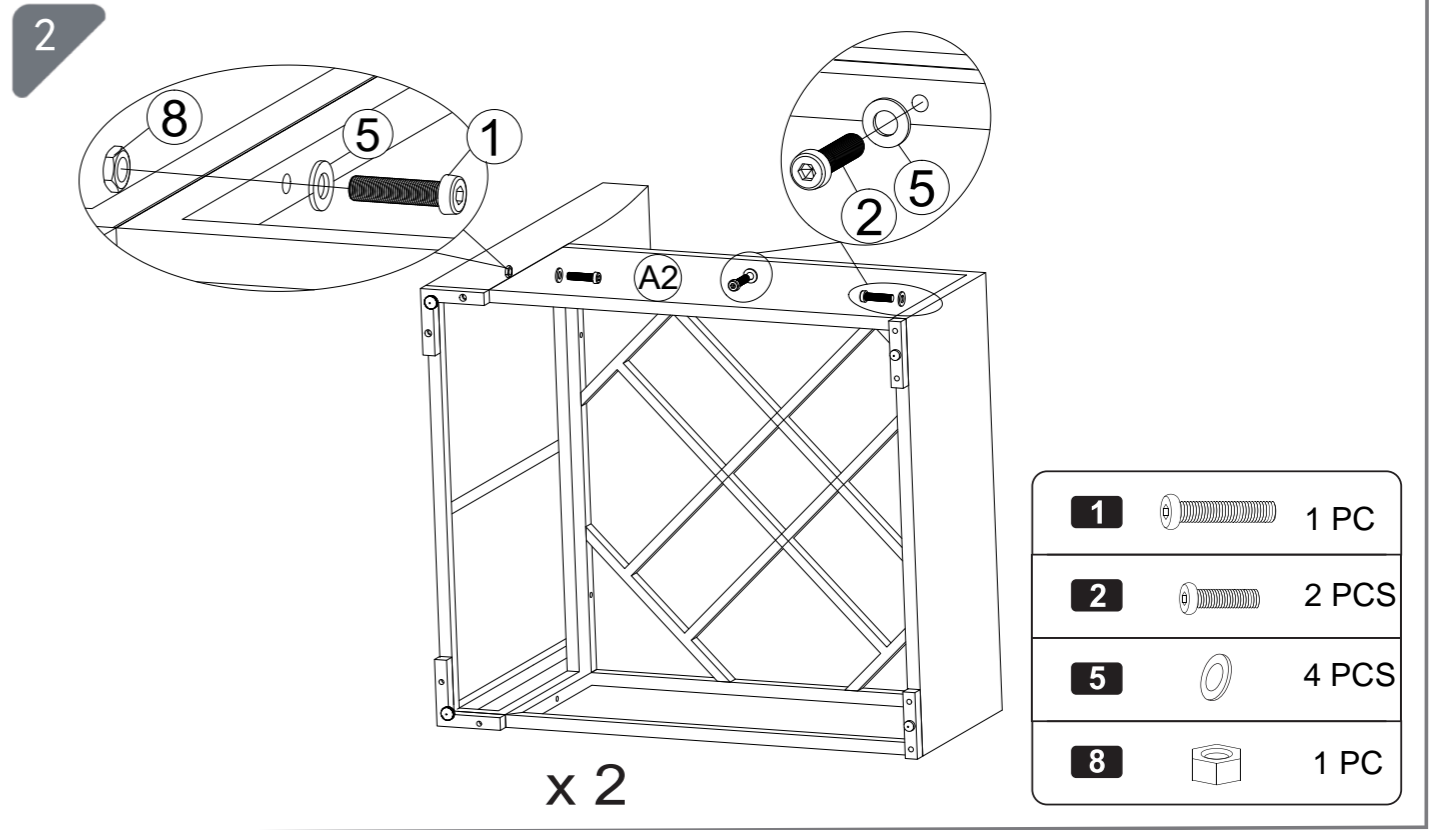
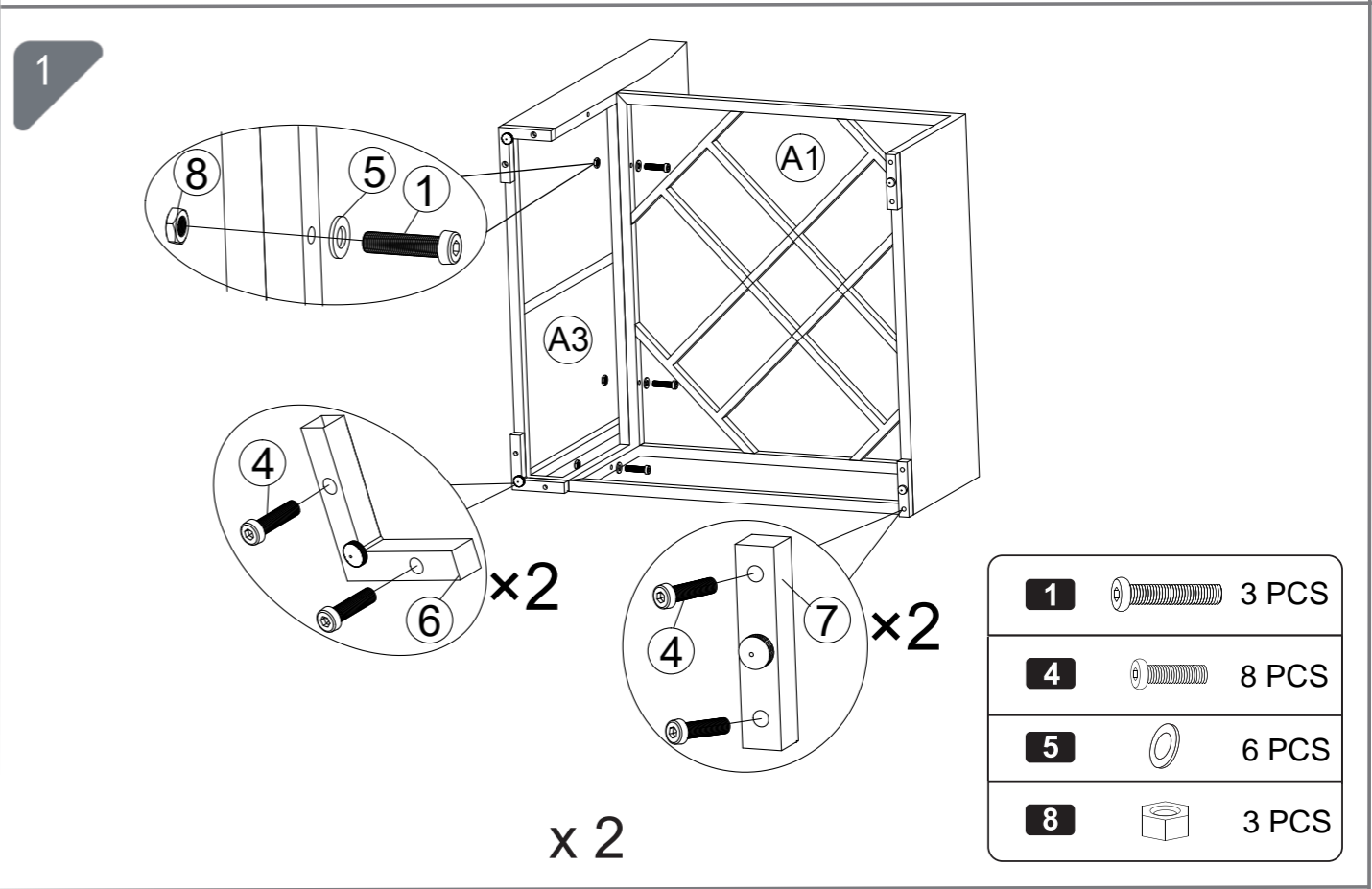
- STAIN RESISTANT CUSHIONS CARE :KEEP THE CUSHIONS IN STORAGE IN RAINING DAY.
- SPILLS: Immediately wipe up the spill using a white damp cloth. Repeat process if necessary until stain is gone. Allow cushion to air dry.
- FABRIC CARE: Hand wash cold, non-chlorine bleach when needed, lay flat to dry. Cool iron if necessary. Do not dry clean.
- RESIN WICKER PRODUCT CARE: Before using, clean the product completely with a soft dry towel. When not in use, wipe free of any dirt or loose objects, wash with a mild solution of soap and water, rinse thoroughly and dry completely. Do not use strong detergent or abrasive cleaners. Over time nuts and bolts can loosen. Occasionally, check nuts and bolts on all chairs and tables, re-tighten if necessary.

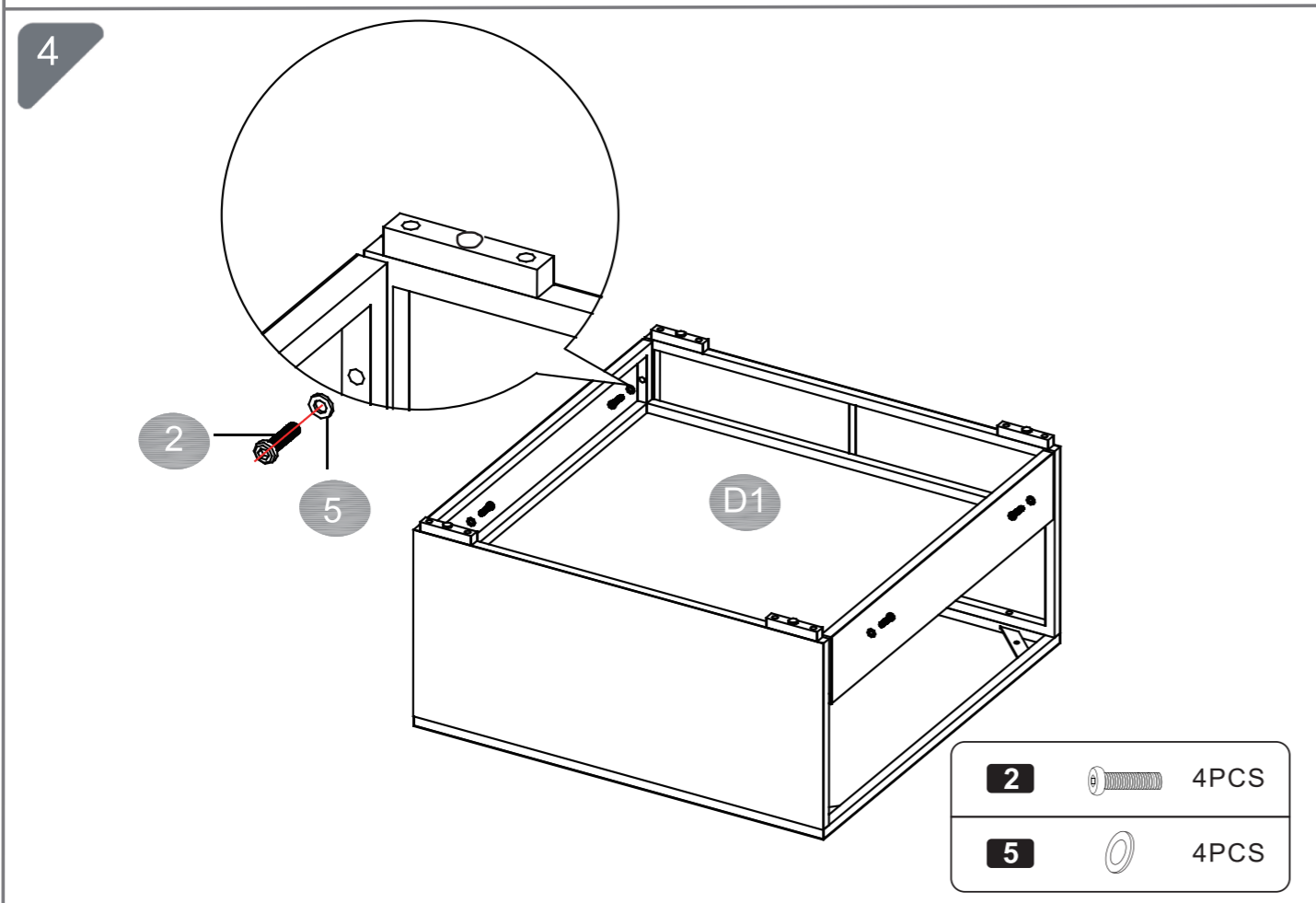
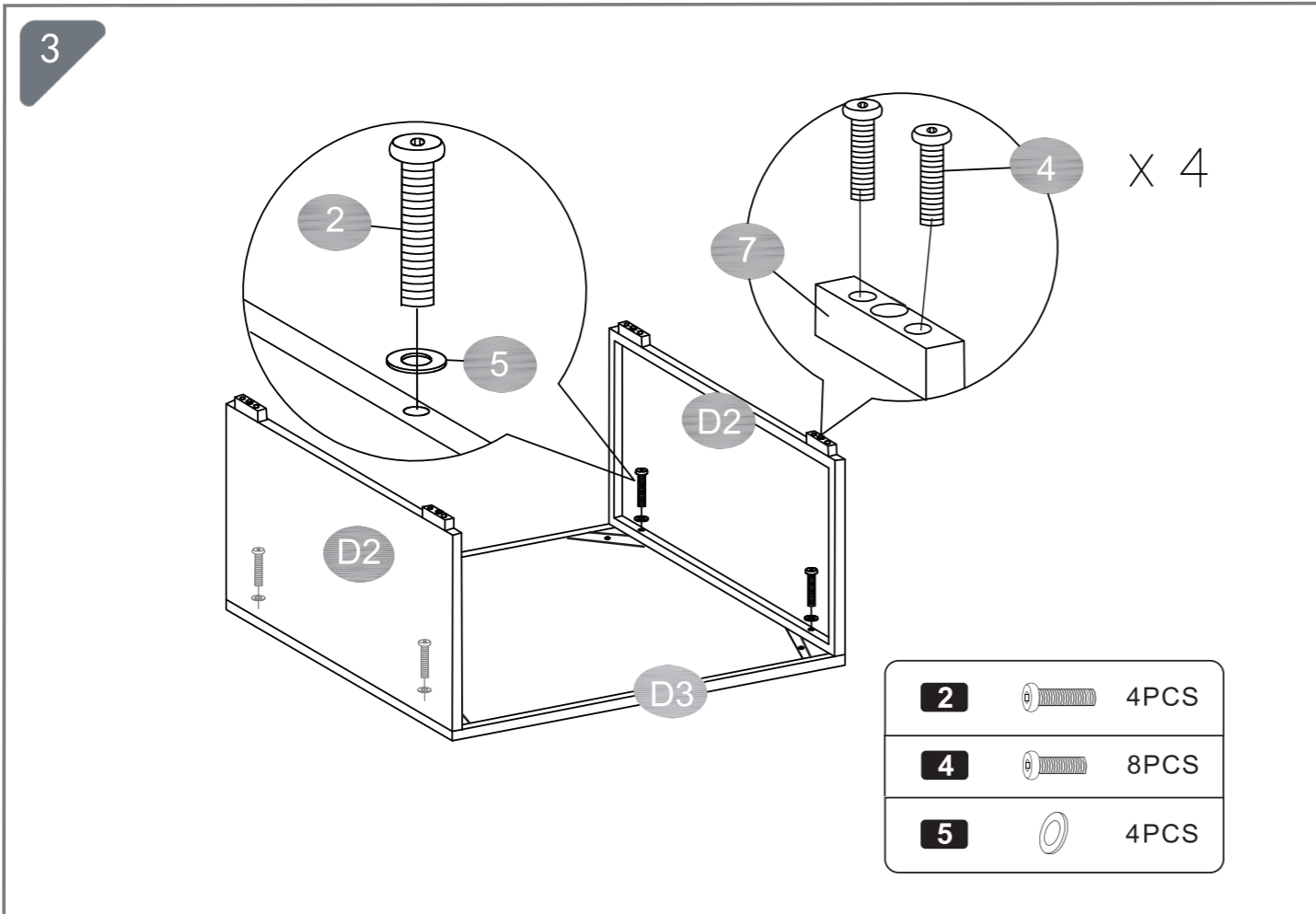


Two of the U connectors (part 9) are used for sofa set

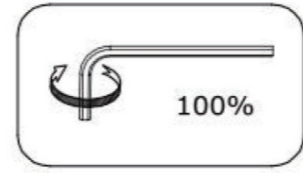
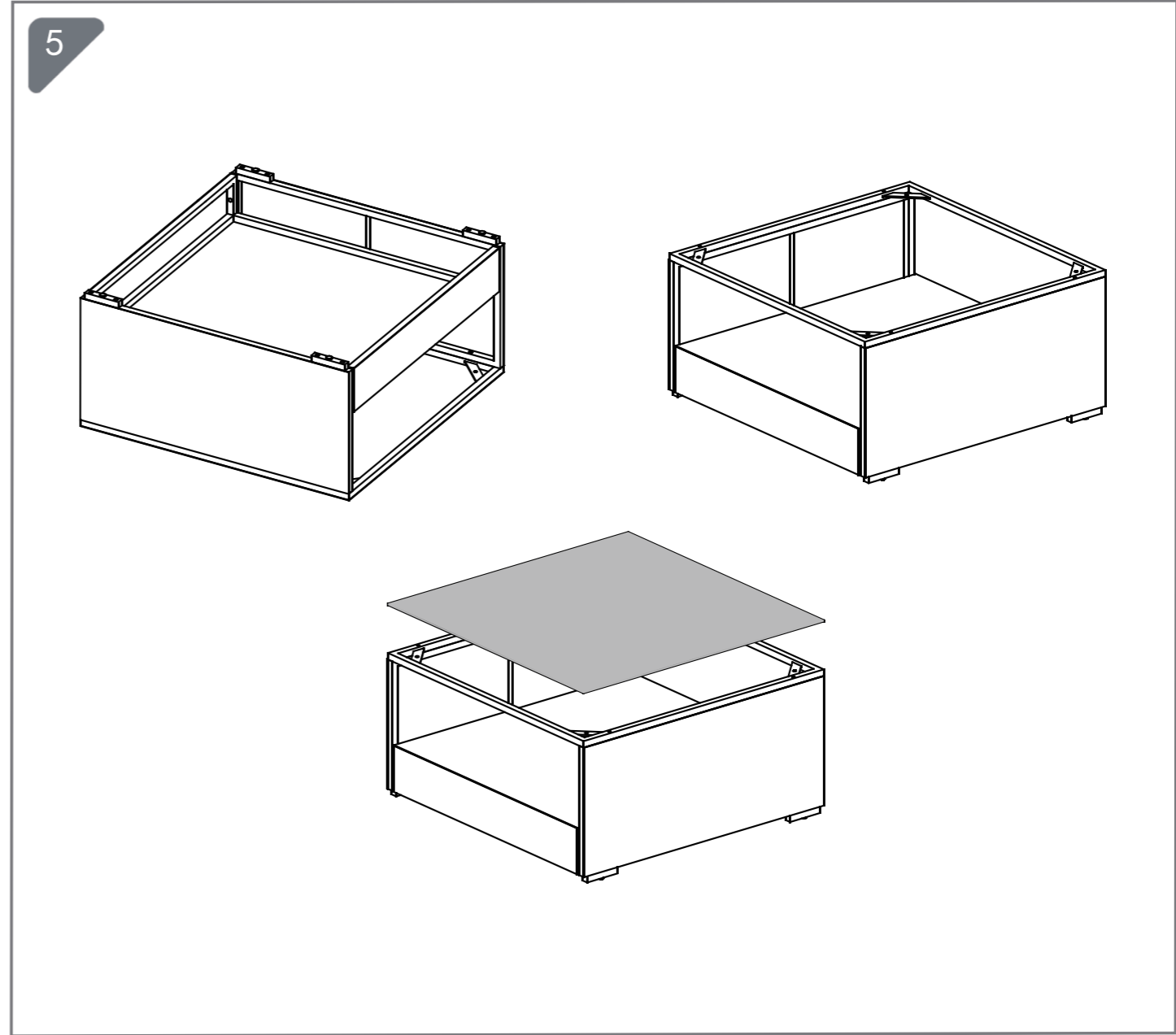
**ASSEMBLY TIP:**

Please screw the parts together at 50% loose, it will help you assemble them easily.  
After all the parts assemble together, tight the screws up 100% at end to make the product stable.





5

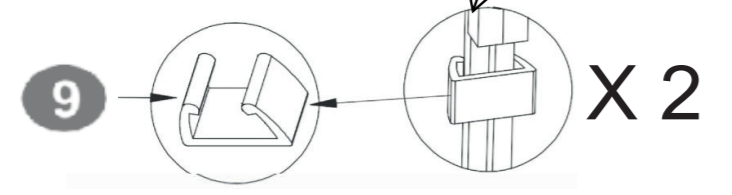
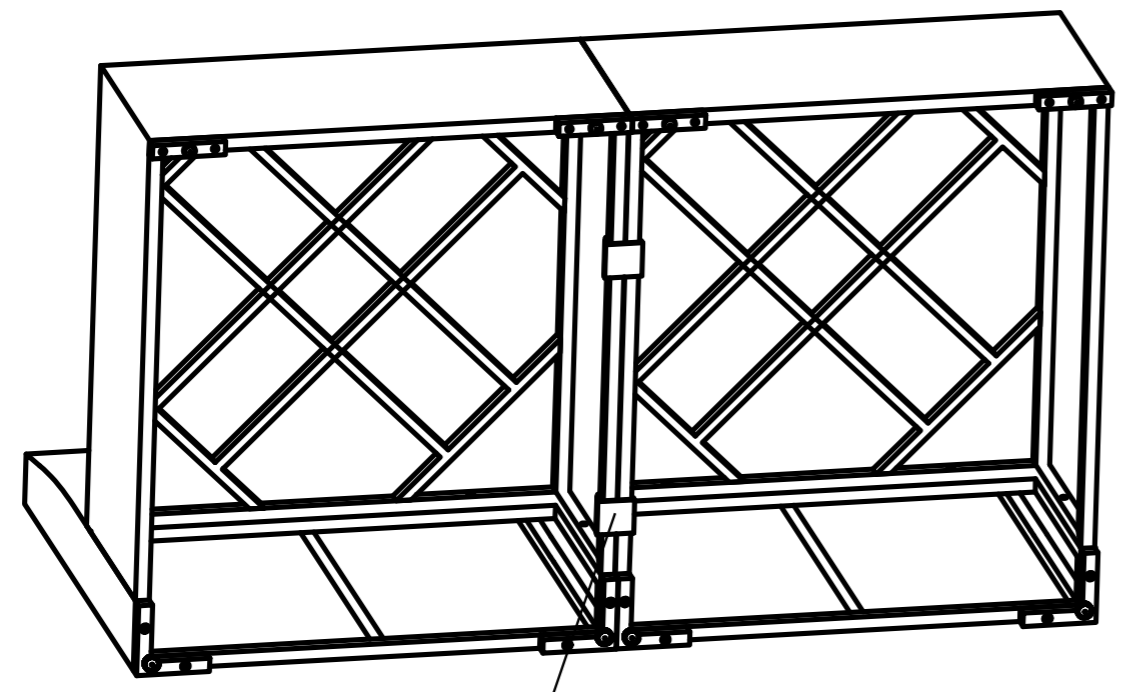


Now tight the screws up 100% at end to make the product stable. Then put on the glass.

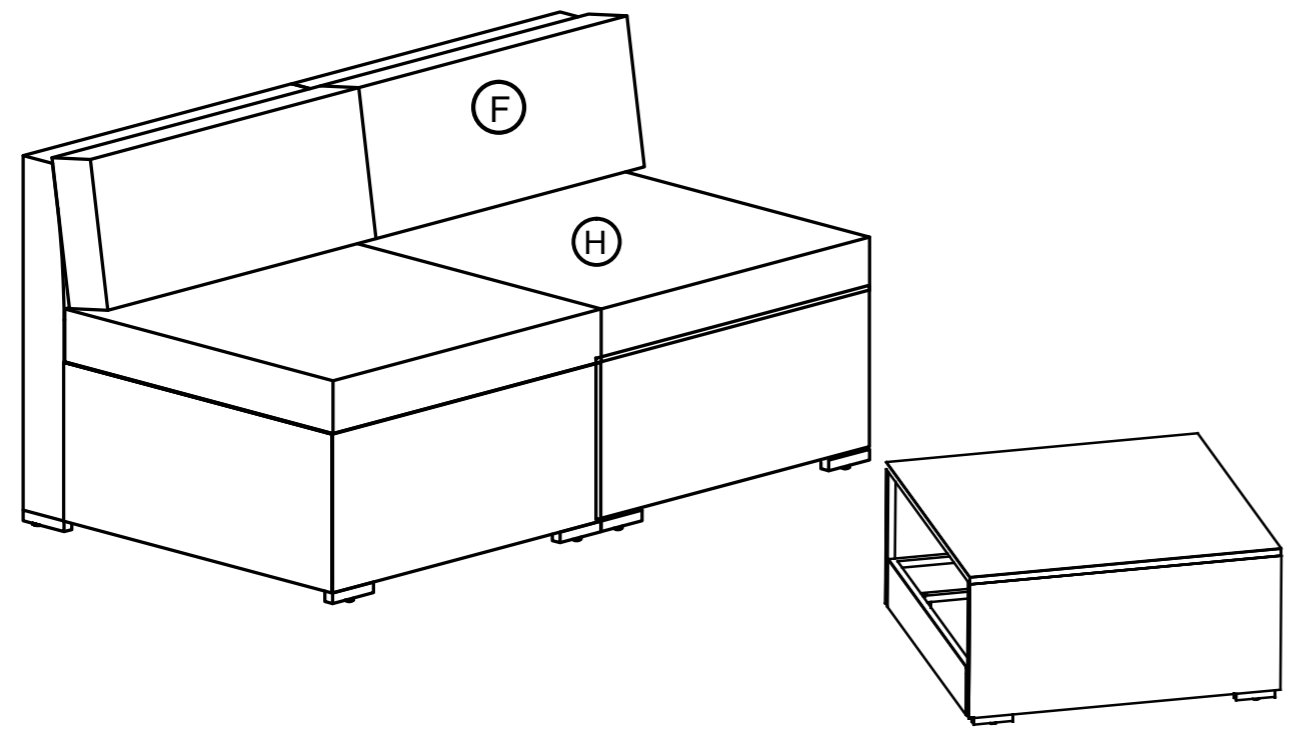
**Please protect the glass**

6

6



7



7

8