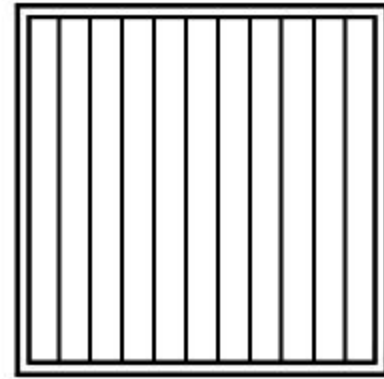

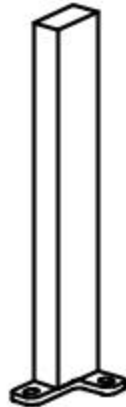

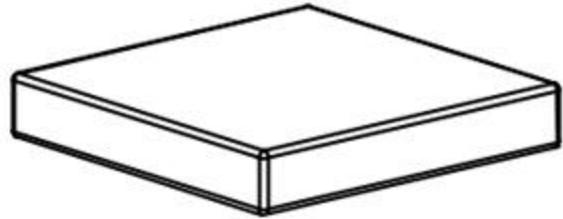
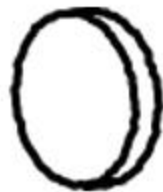

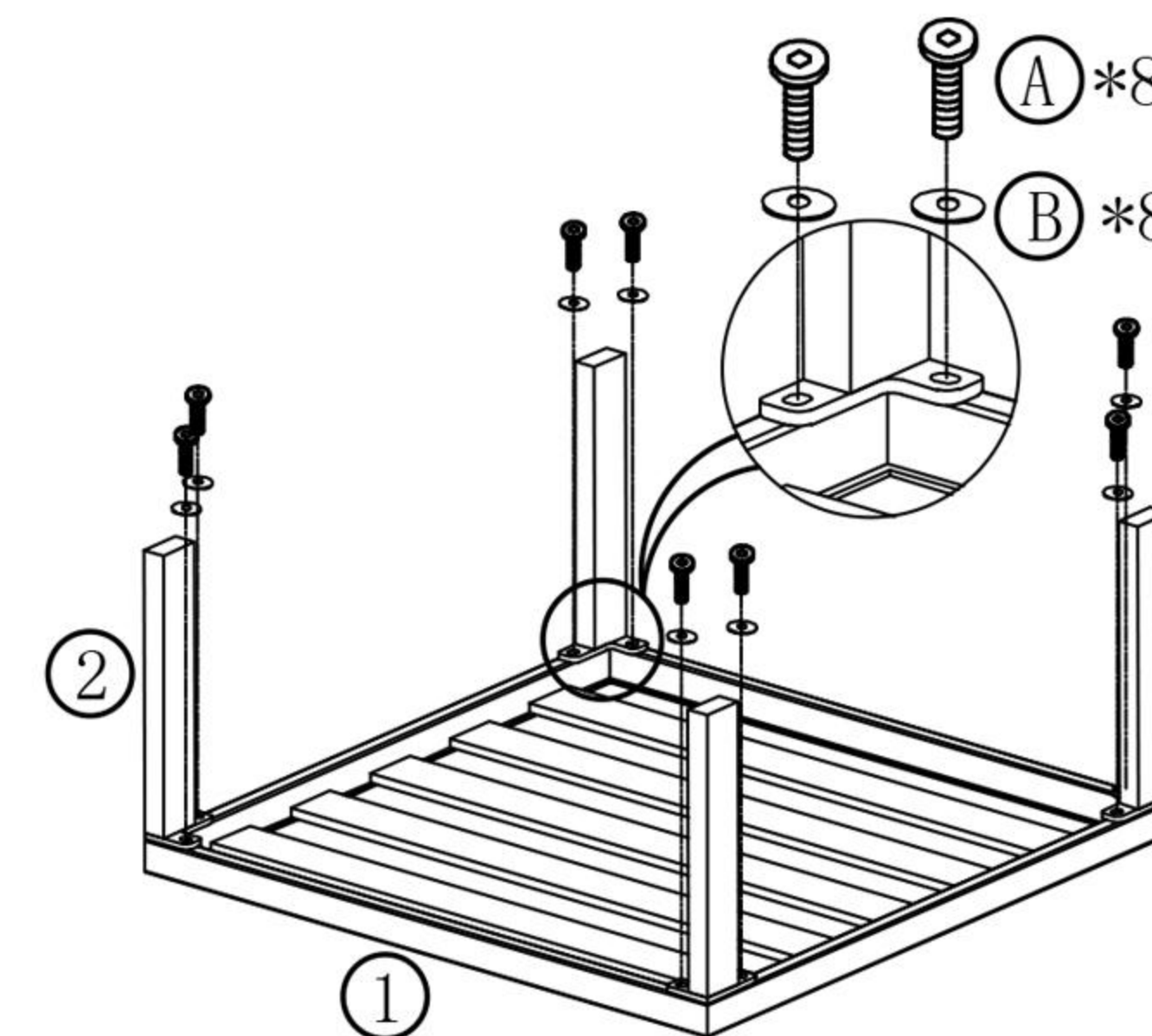


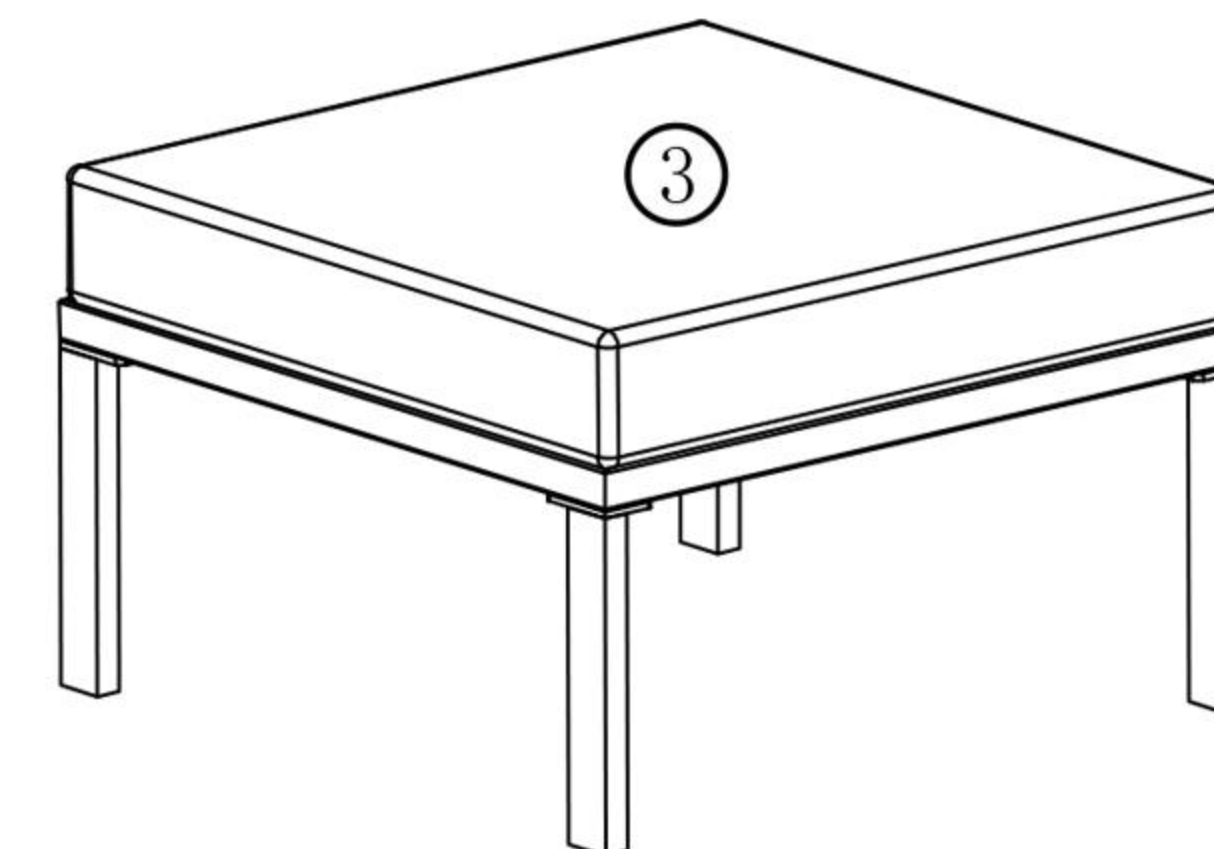
Assembly instructions

NO.	Picture	Name	Qty	NO.	Picture	Name	Qty
1		Seat	2	B		Gasket	16
2		Leg	8	C		Tool	1
3		Seat cushion	2	D		Nut cover	16
A		Screw M6 x 15mm	16				

STEP 1



STEP 2



NOTE:

Our products can be returned for any reason within 30 days (in the original packaging) and provide a one-year warranty. The cushion is not water-resistant. It is recommended to match the patio furniture cover when it rains