

# **WARNING!!**

## **Furniture Tipping Risk.**

**Serious risk of severe or fatal crush injuries can occur from furniture tipping over if not secured.**

**Children like to climb on furniture and Unsecured furniture can pose a serious danger.**

**Please follow all instructions and install the tip-over restraints provided.**

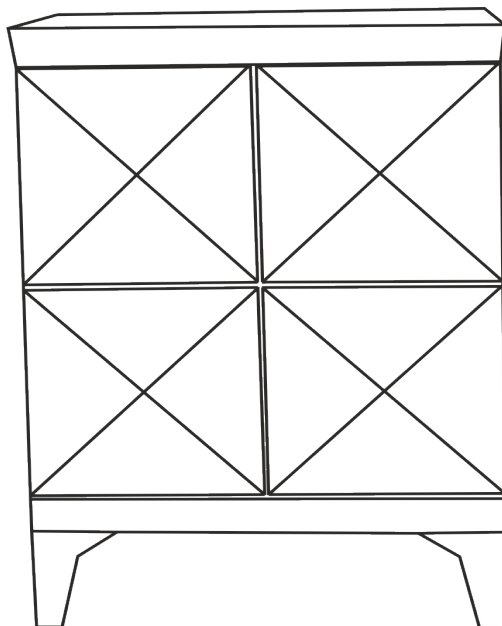
**In addition to installing the restraints, to help prevent tip-over:**

- 1. Unless specifically designed to accommodate, do not set TV's or other heavy objects on top of this product.**
- 2. Never allow children to climb or hang on top glass.**
- 3. Do not step on the Cabinet base**

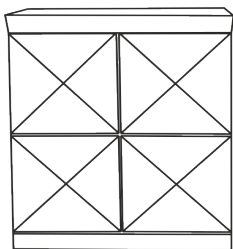
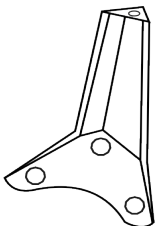
# Assembly Instructions

Caution : You must read this before you proceed






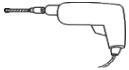

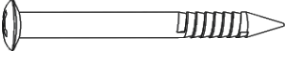
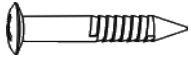
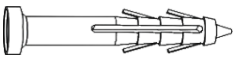

## CABINET



### Parts List

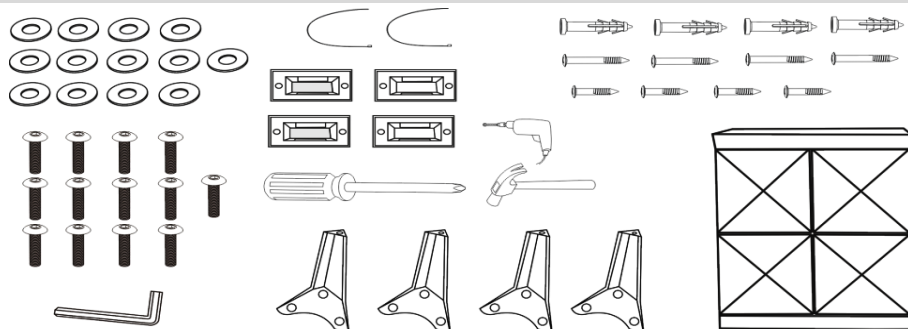
Lable	Picture	Description	Qty
A		Wooden Cabinet	1
B		Metal Leg	4

# Hardware

Lable	Picture	Description	Qty
①		Washer	13
②		Bolt 6.0X20.0 mm	13
③		Allen Key	1
④		Screwdriver (not provided)	1
⑤		Hammer (not provided)	1
⑥		Power Drill (not provided)	1
⑦		Bracket	1
⑧		Wall Plug Screw 3.5X19.0 mm	4
⑨		Pan Head Screw 3.5X19.0 mm	4
⑩		Wall Plug	4
⑪		Cabinet Restraint Strap	2

# Assembly Preparation

Before  
Beginning  
Assembly:



- Read instructions, cover to cover-



- Have 2 adults on hand for assembly-



- Do not assemble on flooring or carpet-



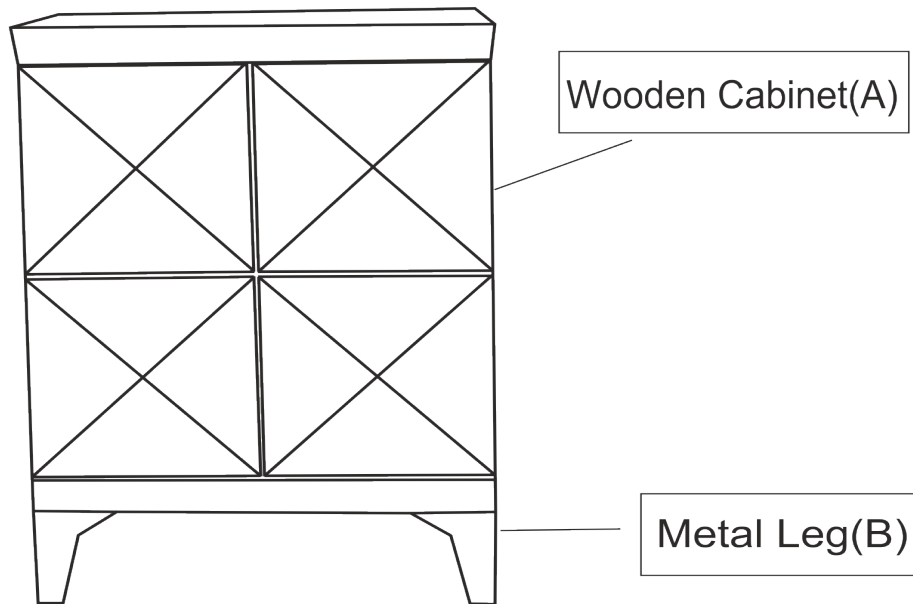
- Assemble on a clean non-marring surface (packing foam)-



- Save all packaging until finished-

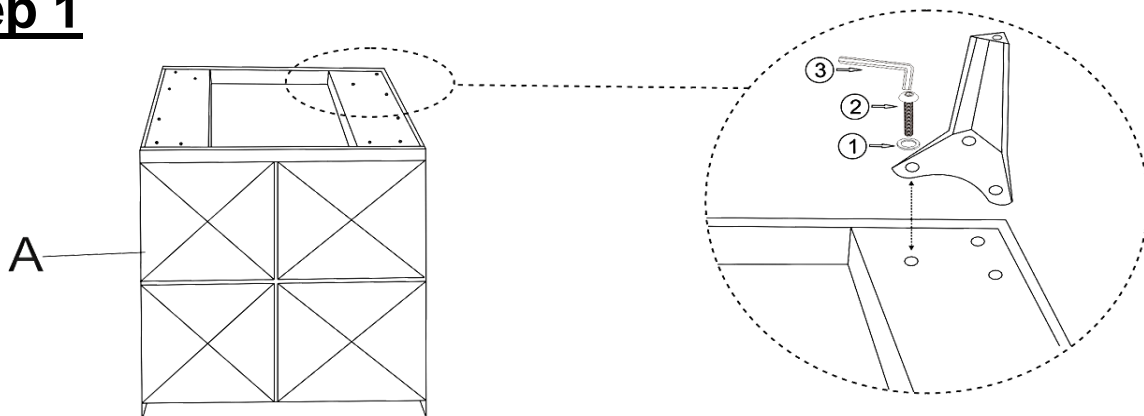
# Assembly Steps

## Overview



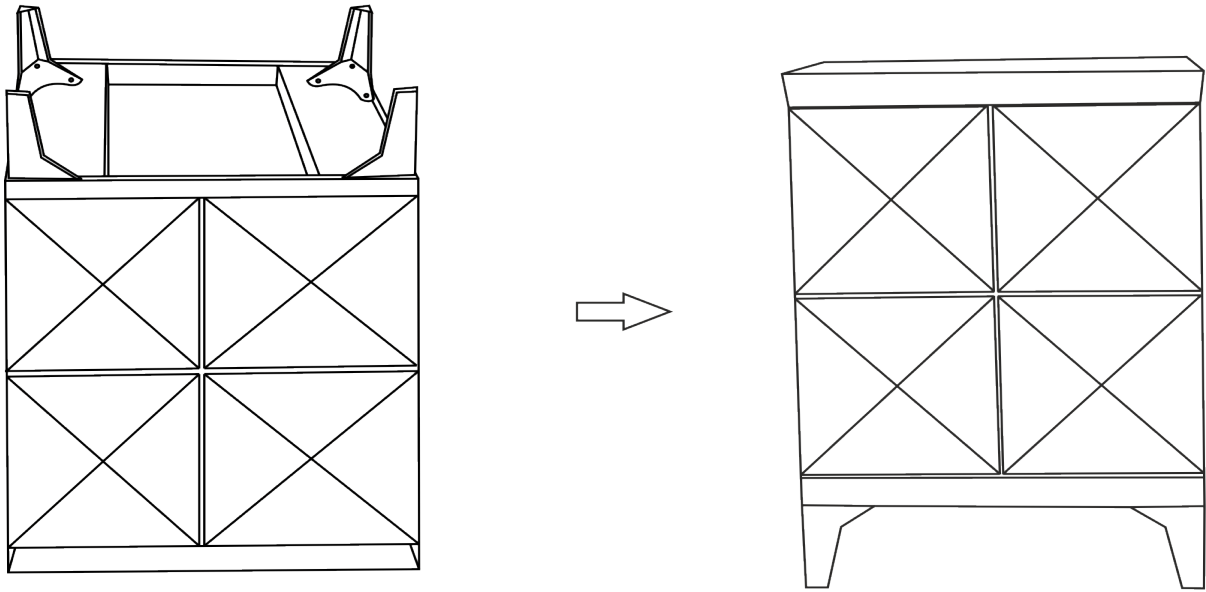
This Cabinet has multiple parts and may require up to some 30 minutes to assemble. The above picture is to help you in putting various parts into perspective. Please read through the instructions below to familiarise yourself with the parts and steps before assembly.

## Step 1



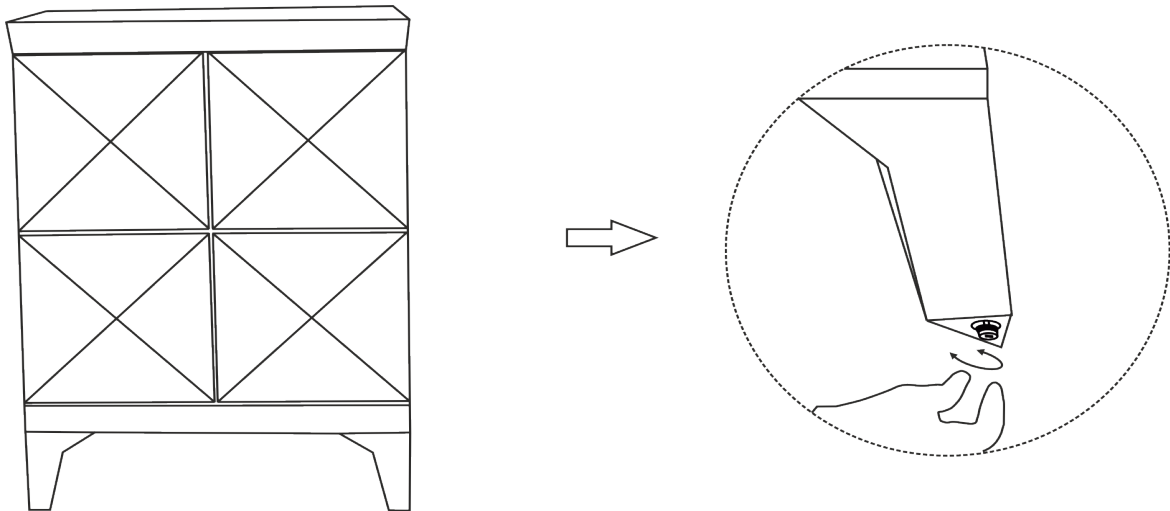
With assistance from your adult partner, place the Wooden Cabinet (A) face down as picture, on a clean, non-marring surface. As shown in "Step 1" picture attach Metal Leg (B) to Wooden Cabinet (A) using Washers (①) Bolt (②) with Allen Key (③). Tighten the Bolt fully in a sequential manner. Repeat the same process to assembly remaining Leg (B)

## **Step 2**



Flip the Cabinet as Shown in "Step 2"

## **Step 3**



In case if the floor is uneven, adjust levellers on the underside of the legs up or down to compensate.  
Once the cabinet is assembled, the levellers can be adjusted turning the knob as shown in the drawing.

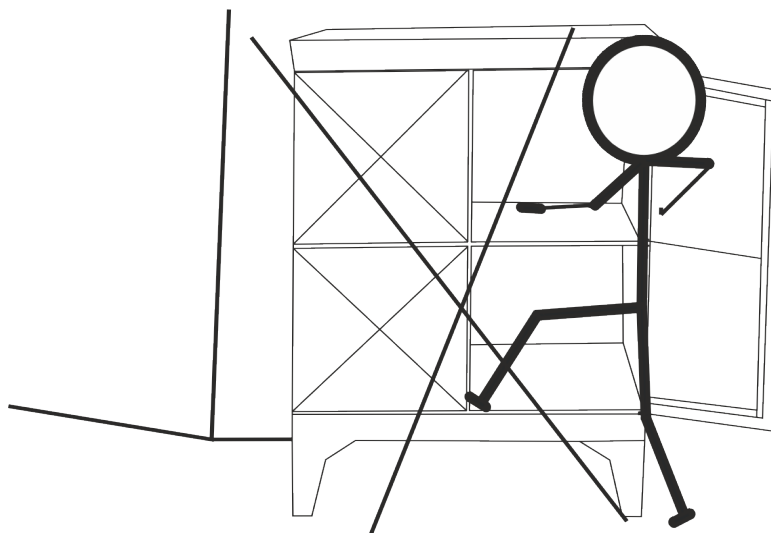
## Cabinet Restraint Device Installation Instructions



### WARNING

Serious or fatal crushing injuries can occur from tipping furniture.  
To help prevent tip-over: Always secure this furniture to the wall using Cabinet Restraint Device.

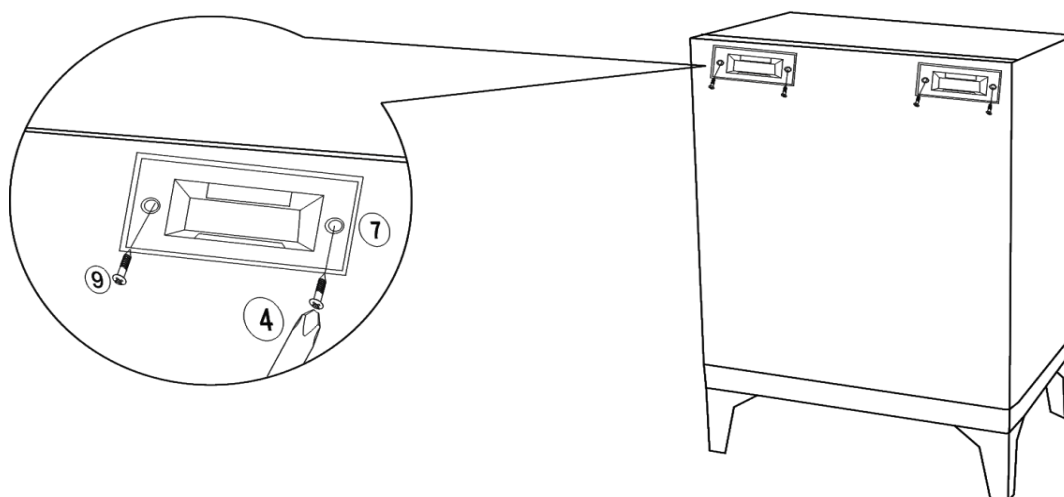
See Product instructions for more ways to help prevent furniture tip-over.



Usage For Cabinet Restraint Device :

To secure Cabinet against wall, attach two Brackets (7) on wall and product, use Cabinet Restraint Strap (11) to connect the Brackets (7).

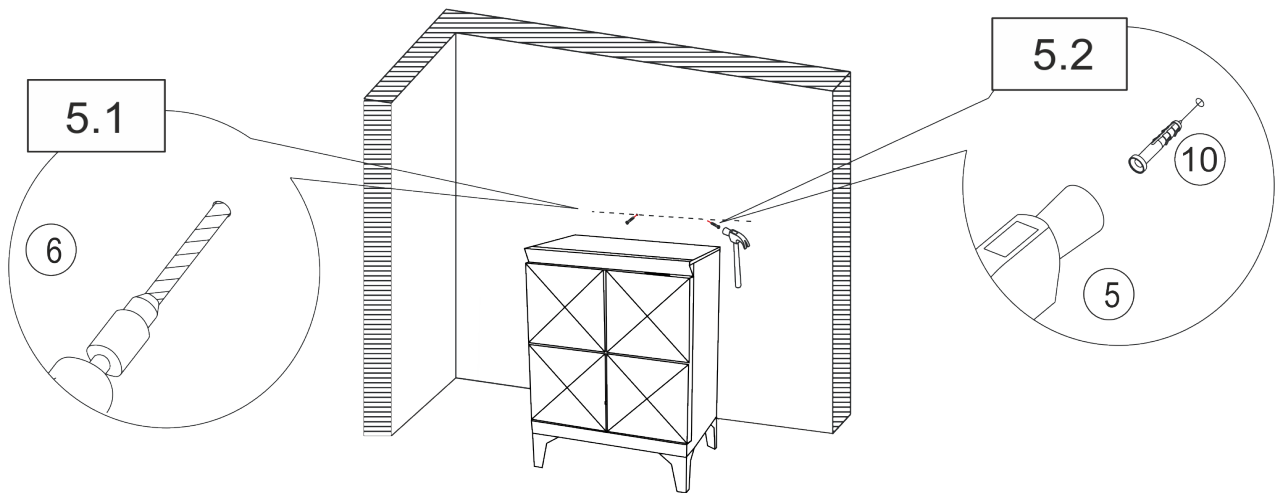
### Step 4



Turn the Cabinet so the back side faces you.

Attach Brackets (7) to Back Panel (A) using Pan Head Screws (9) with Screwdriver (4).

## Step 5



5.1 Drill two holes on wall at same height as Brackets (7) on Cabinet with Power Drill (6).

**You can mark these points in two ways as below:**

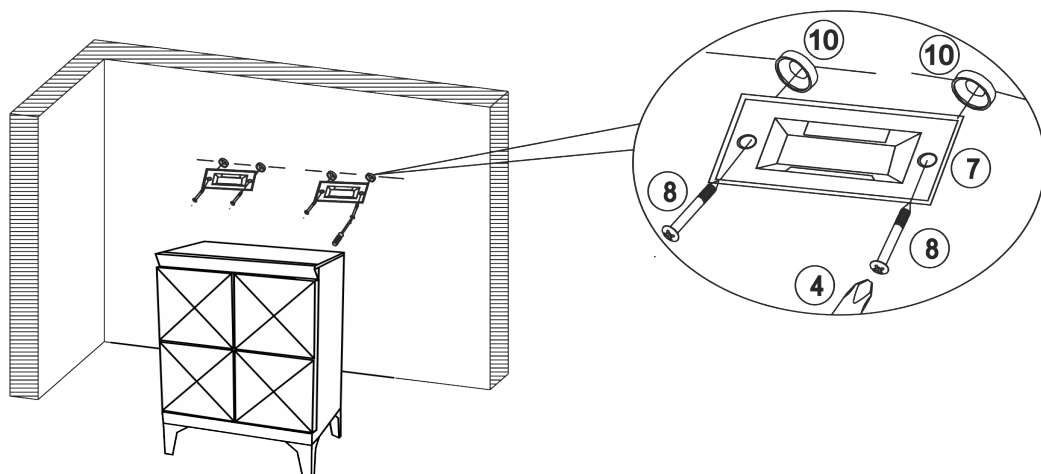
1) Move the Cabinet back to the wall. Mark two points same height as Cabinet on the wall.

**Note: The Brackets need to be secured to solid, load bearing surface. please use a Stud finder (not supplied) if needed to locate the wall frame.**

2) Measure the height of the Brackets (7) with ruler/measuring tape and mark on wall to keep them accurate and same height.

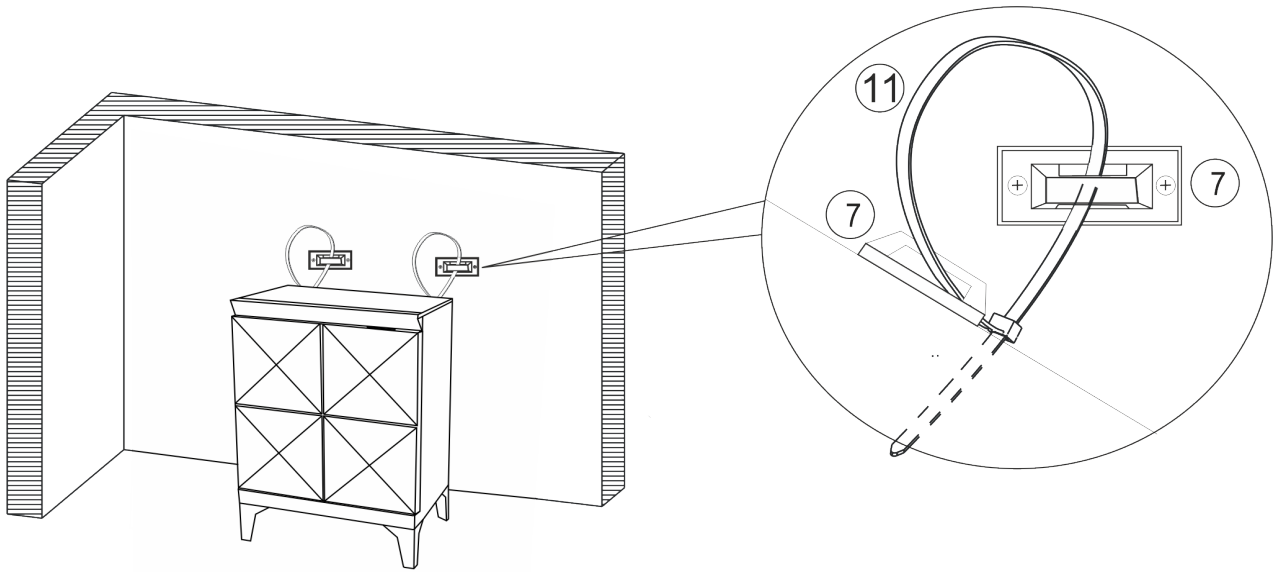
5.2) Insert wall Plugs (10) into drilled holes on wall with Hammer (5).

## Step 6



Attach Brackets (7) to Wall Plugs (10) using Wall Plug Screws (8) with Screwdriver (4).

## Step 7












Move Cabinet to the wall.

Pull the Restraint Straps (⑪) through the Brackets (⑦) on the wall and Cabinet one by one, and pull the Restraint Straps (⑪) tight.

This Cabinet is now ready to use.

**Caution : This Cabinet can only be used on flat, level surface.**

## Care & Maintenance

- ⊘  ● Do not put hot items directly on furniture surface.
- ⊘  ● Do not clean furniture with harsh cleansers or polish.
- ⊘  ● Do not place furniture under direct sunlight.
- ⊘  ● Do not place furniture near heating or cooling vents.
- ⊘  ● Do not write on furniture without a padded barrier to protect the surface.
- ⊘  ● Do not place furniture outside. For indoor use only.
- ⊘  ● Not for commercial use. For residential use only.
- ⊘  ● Stains may be removed with mild soap solution and damp cloth.
- ⊘  ● Children should not climb or jump on furniture.

- ✓  ● Dust and pick-up spills using a clean, non-colored, lint-free cloth.