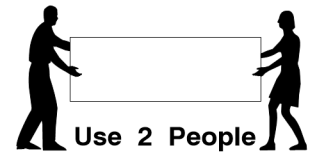


9013 3 Drawer Chest

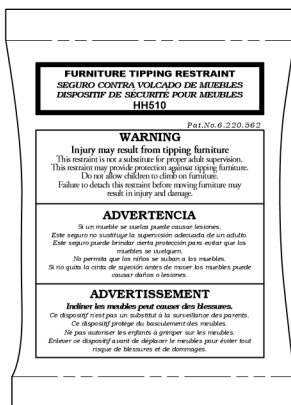
Assembly Instructions

WI-0724



Note: Do not assemble using power tools. This can cause the bolts to be overtightened

WARNING



Anti Tipping Kit
Anti Tipping Kit x 1



Children have died from furniture tipover.

To reduce the risk of furniture tipover:

- ALWAYS install anti-tip device provided.
- NEVER put a TV on this product.
- NEVER allow children to stand, climb, or hang on any drawers, doors or shelves.
- NEVER open more than one drawer at a time.
- DO NOT defeat or remove the drawer interlock system; it is an important stability and safety system.
- Place heaviest items in the lowest drawer.

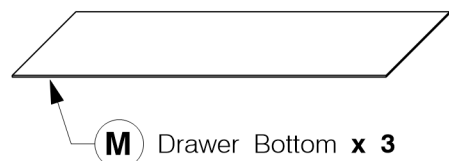
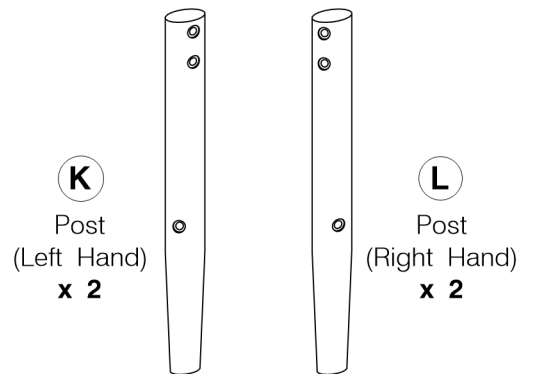
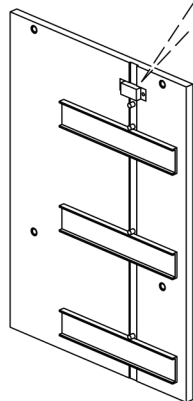
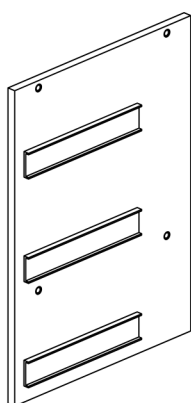
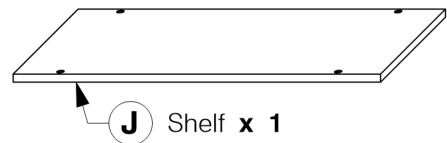
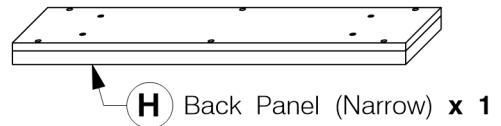
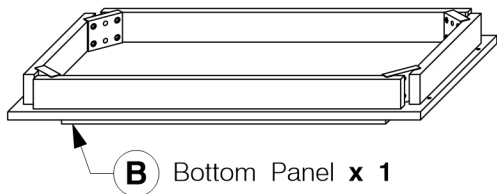
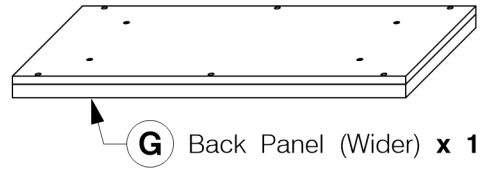
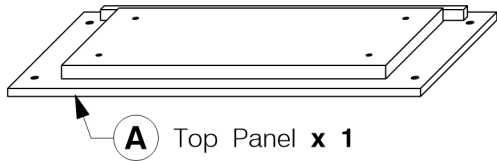
9013 3 Drawer Chest

Assembly Instructions

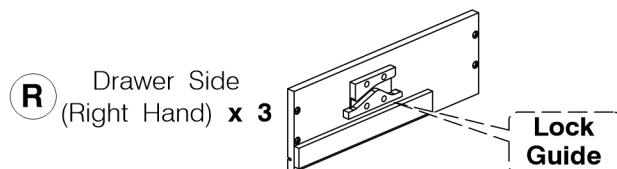
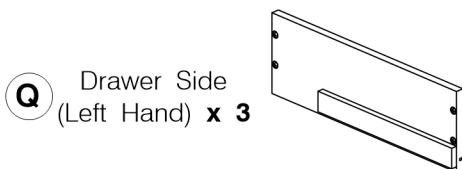
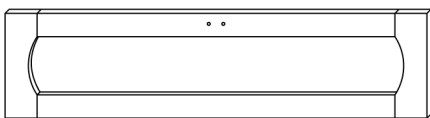
WI-0724

1 Parts List

Parts in Box A:



Parts in Box B:

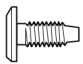


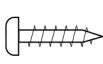
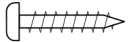


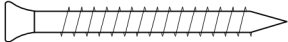



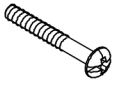
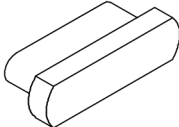



9013 3 Drawer Chest

Assembly Instructions

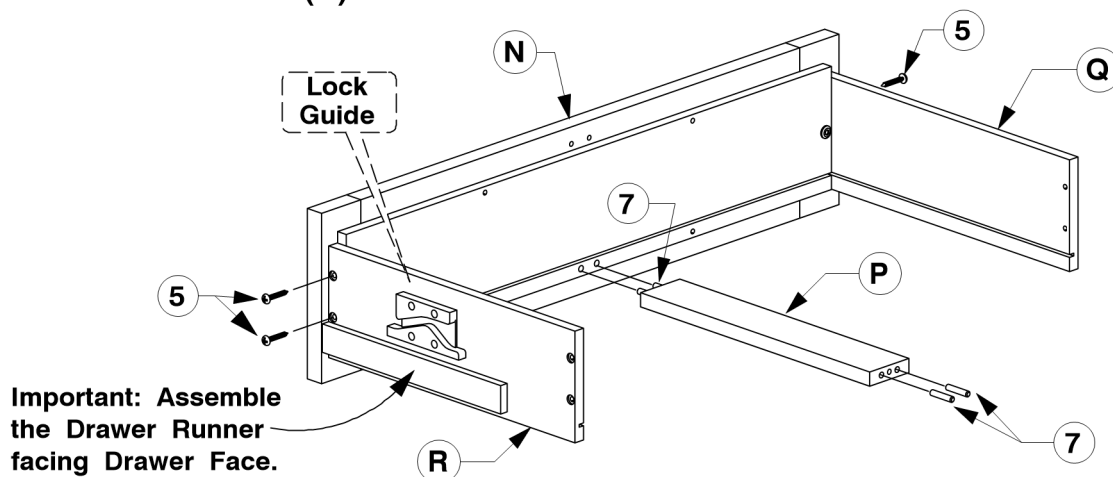
WI-0724

2 Hardware List

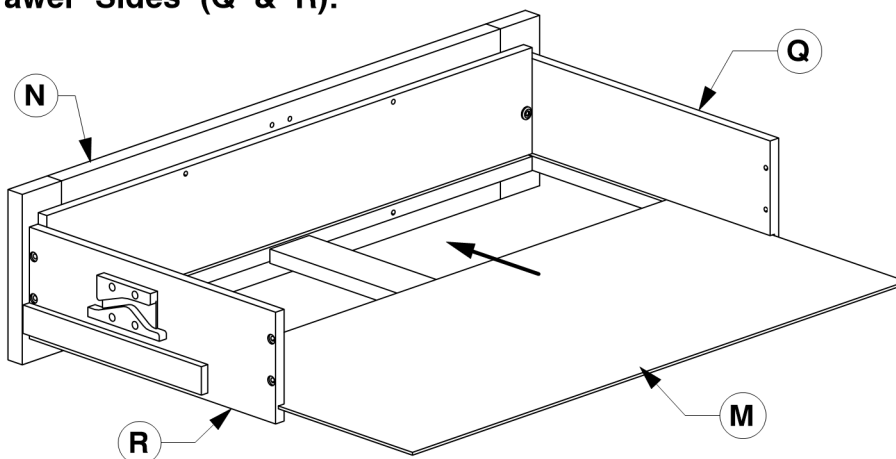
- | | | | |
|---|---|--|---|
|  |  |  |  |
| 1 M6 x 15mm JCB
x 24 | 2 M6 x 40mm JCB
x 4 | 3 M6 x 60mm JCB
x 8 | 4 M4 x 20mm Wood Screw x 12 |
|  |  |  |  |
| 5 M4 x 25mm Wood Screw
x 30 | 6 M4 x 32mm Wood Screw
x 12 | 7 M6 x 25mm Wood Dowel
x 12 | 8 CSK Cap Wood Screw (M6 x 60mm) x 4 |
|  |  |  |  |
| 9 'L' Bracket (5005-3) x 12 | 10 Spring Washer x 8 | 11 Flat Washer x 8 | 12 M4 x 25mm Wood Screw x 6 |
|  |  | | |
| 13 Handle (3321-25) x 3 | 14 Allen Key x 1 | | |

3 Assemble the Drawer Sides (Q & R) & Drawer Rail (P) to the Drawer Face (N).

X 3



4 Slide the Drawer Bottom (M) into the groove on the Drawer Sides (Q & R).

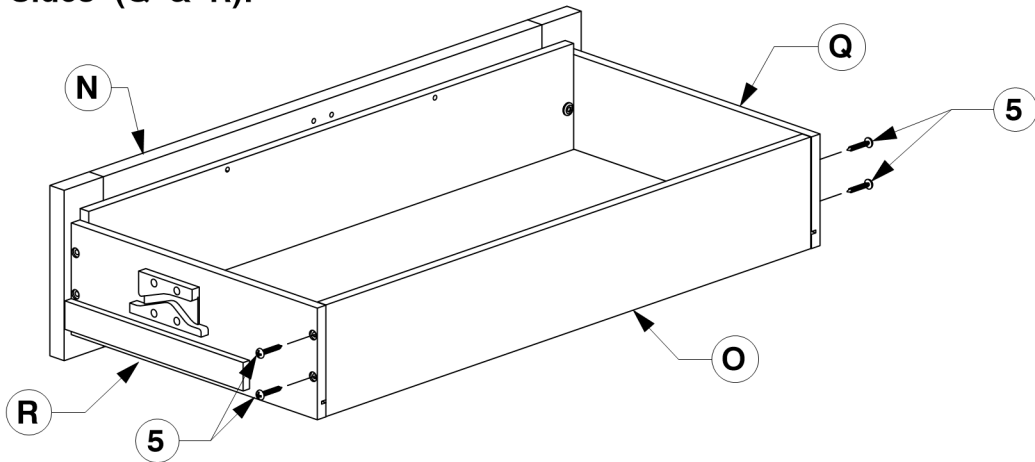


9013 3 Drawer Chest

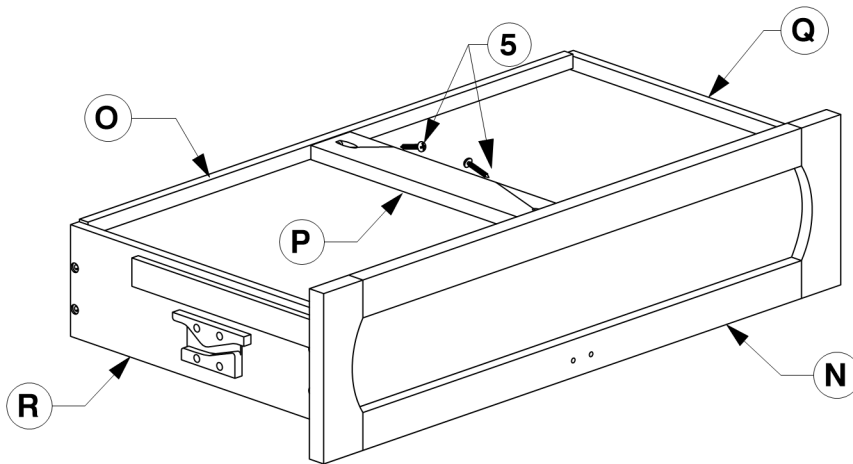
Assembly Instructions

WI-0724

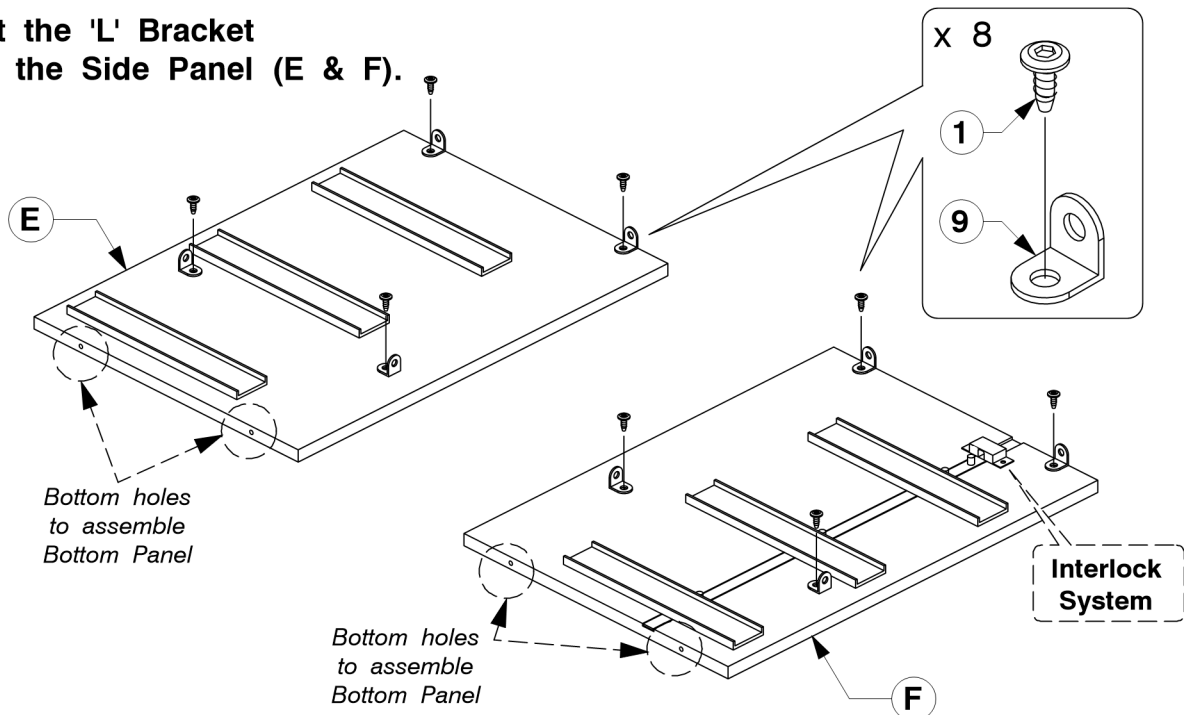
- 5** Assemble the Drawer Back (O) to the Drawer Sides (Q & R).



- 6** Turn the Drawer over to fit angled 25mm Wood screws (5) to the Drawer Rail (P).



- 7** Fit the 'L' Bracket to the Side Panel (E & F).

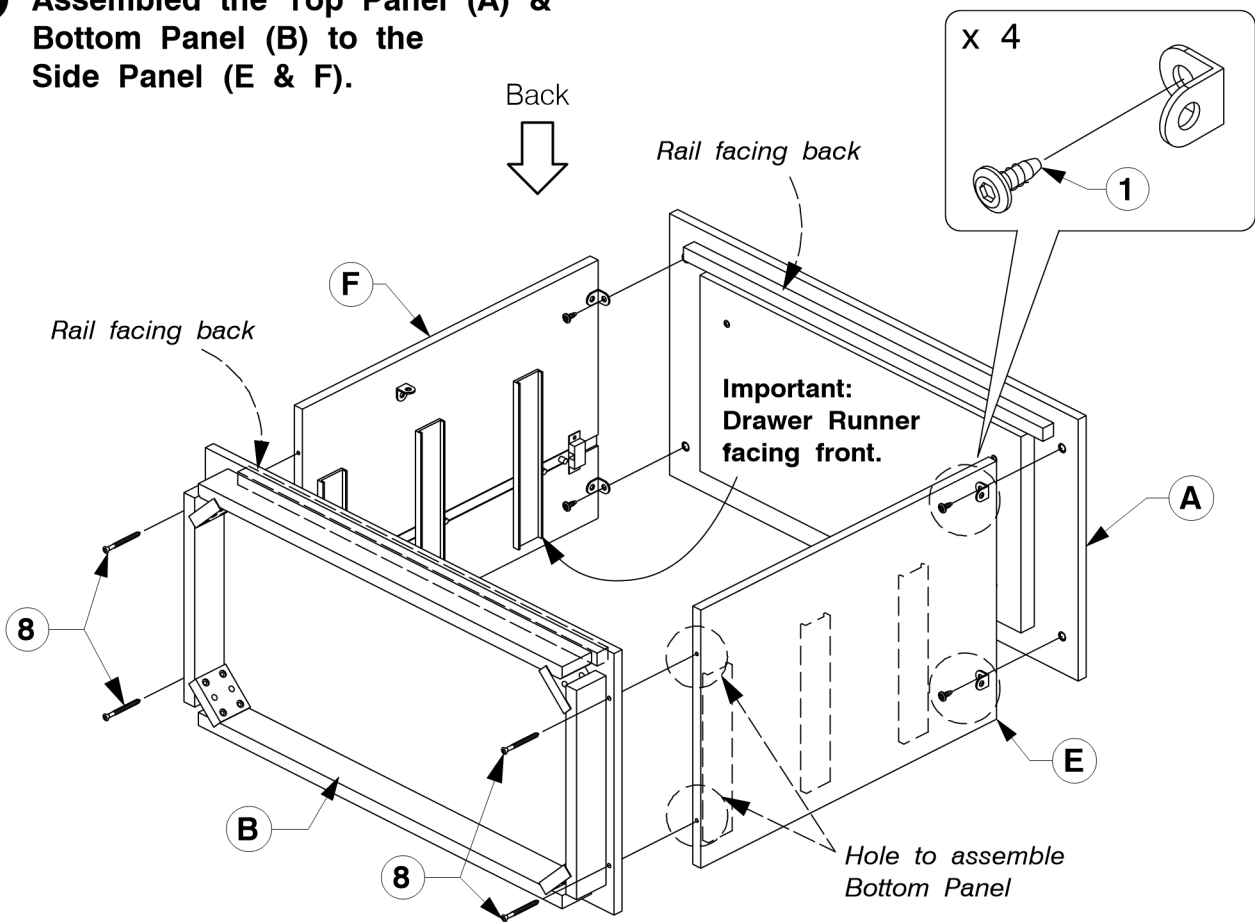


9013 3 Drawer Chest

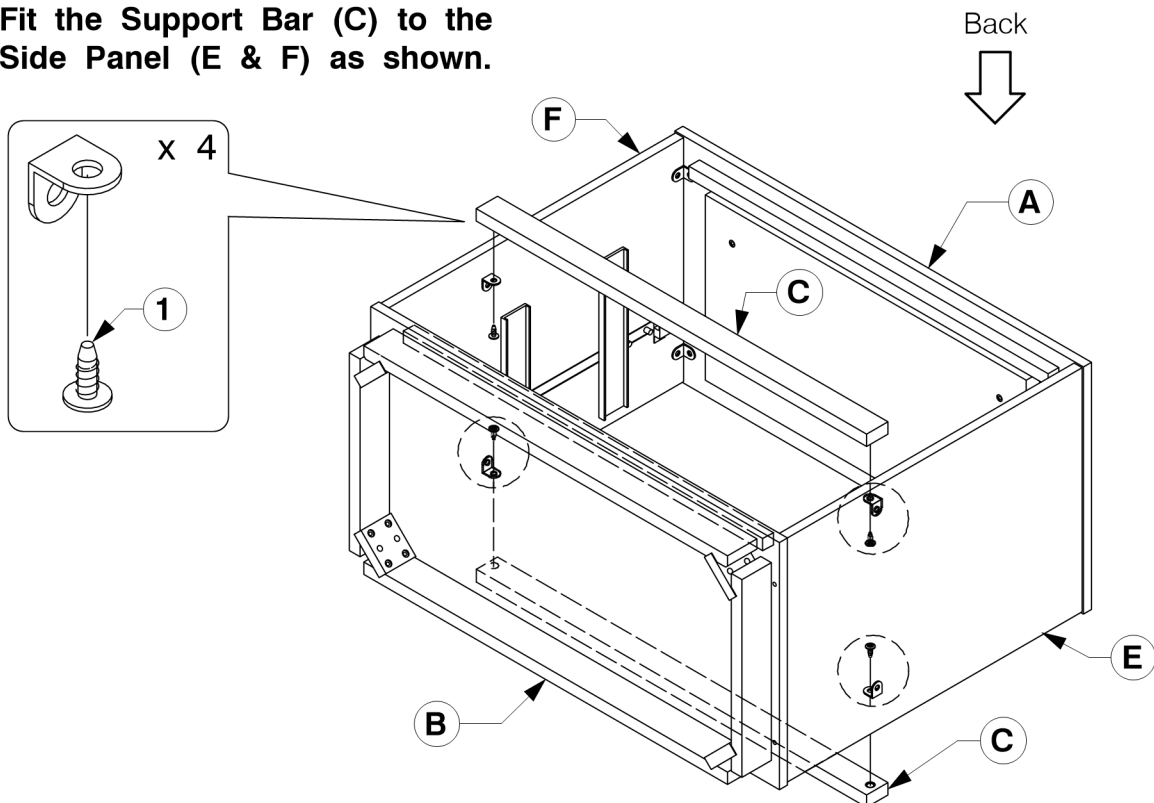
Assembly Instructions

WI-0724

- 8** Assembled the Top Panel (A) & Bottom Panel (B) to the Side Panel (E & F).



- 9** Fit the Support Bar (C) to the Side Panel (E & F) as shown.

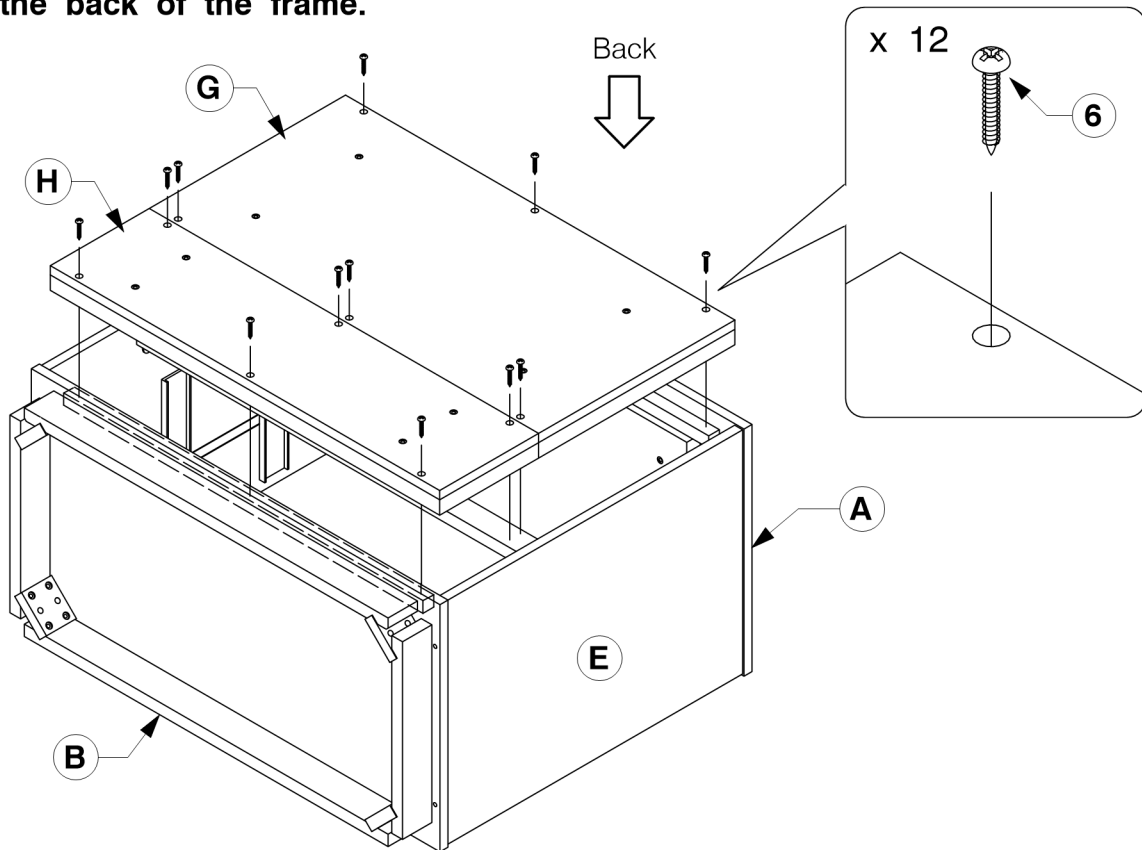


9013 3 Drawer Chest

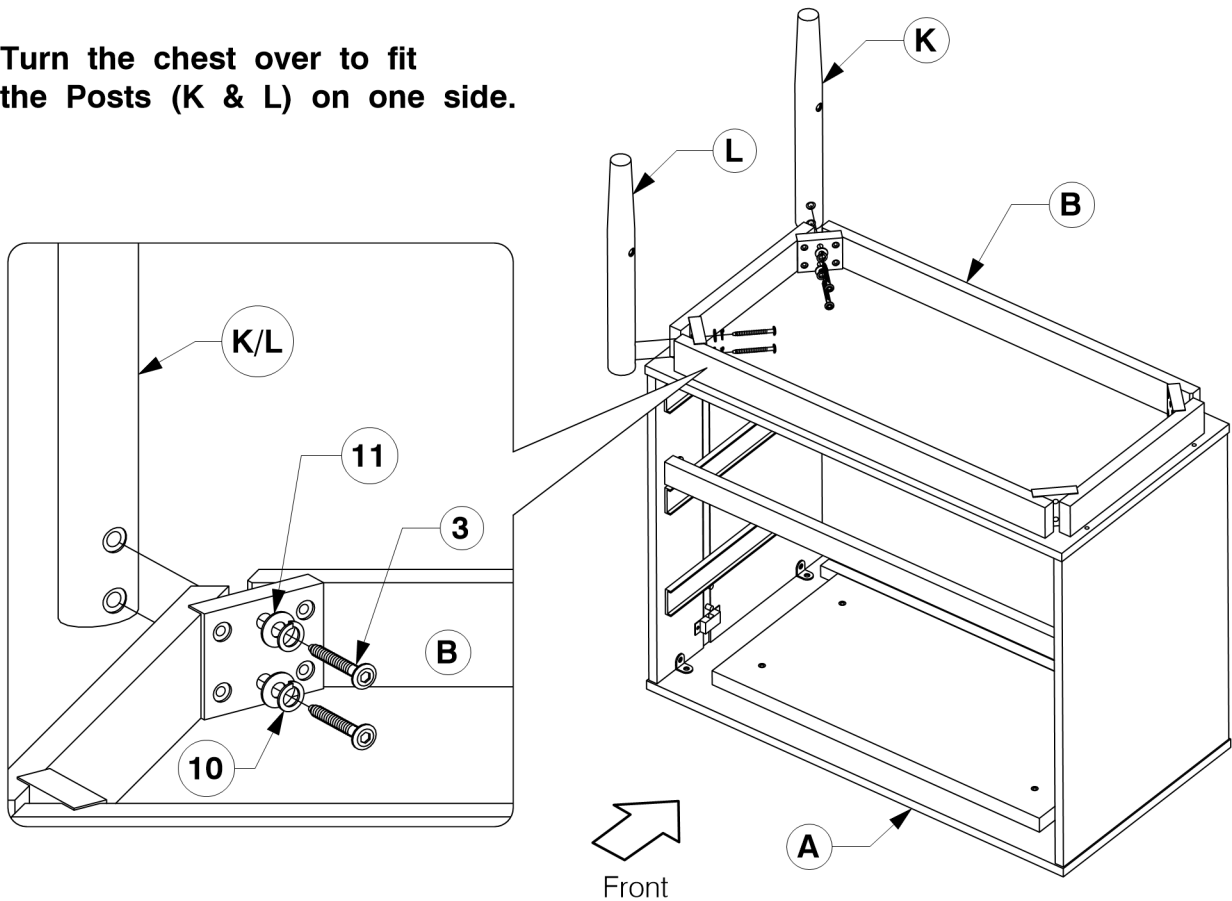
Assembly Instructions

WI-0724

- 10** Attached the Back Panel- Wider & Narrow (G & H) to the back of the frame.



- 11** Turn the chest over to fit the Posts (K & L) on one side.

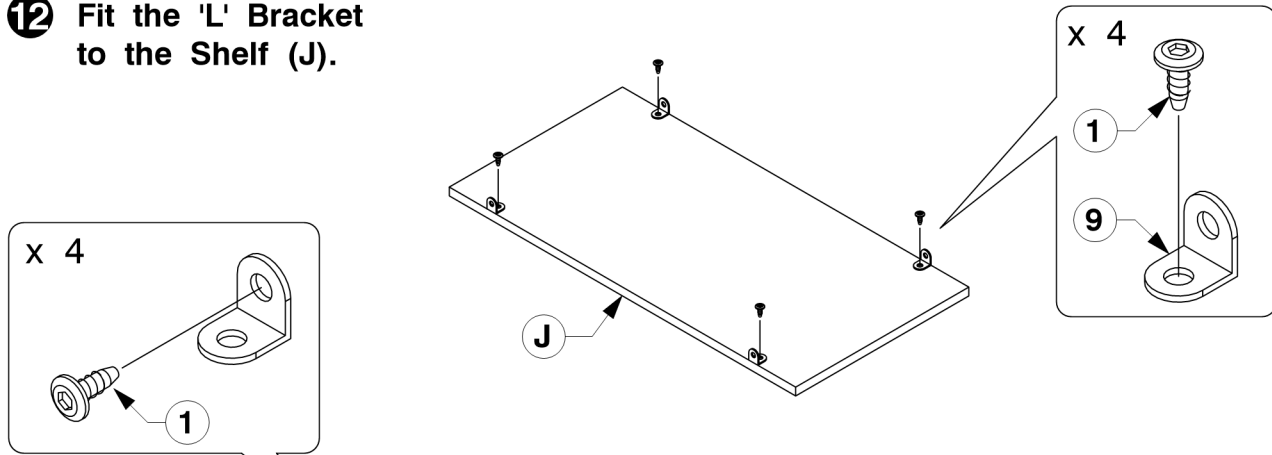


9013 3 Drawer Chest

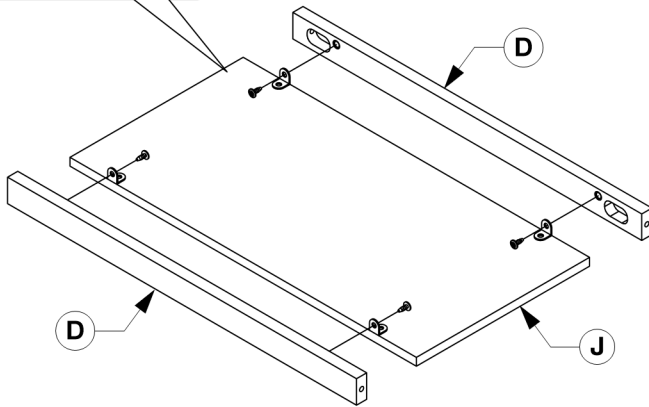
Assembly Instructions

WI-0724

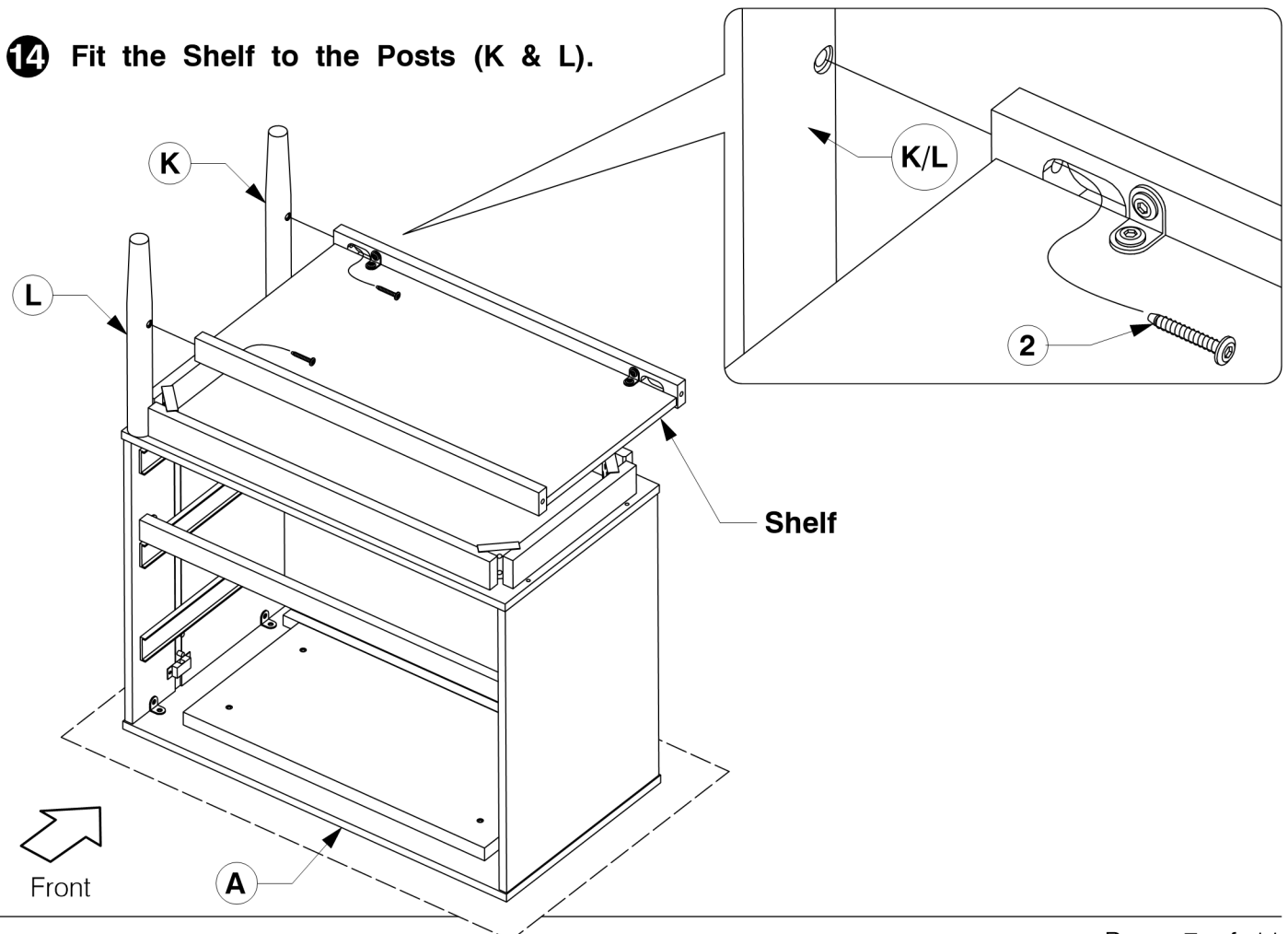
12 Fit the 'L' Bracket to the Shelf (J).



13 Fit the Shelf Supports (D) to the Shelf (J).



14 Fit the Shelf to the Posts (K & L).

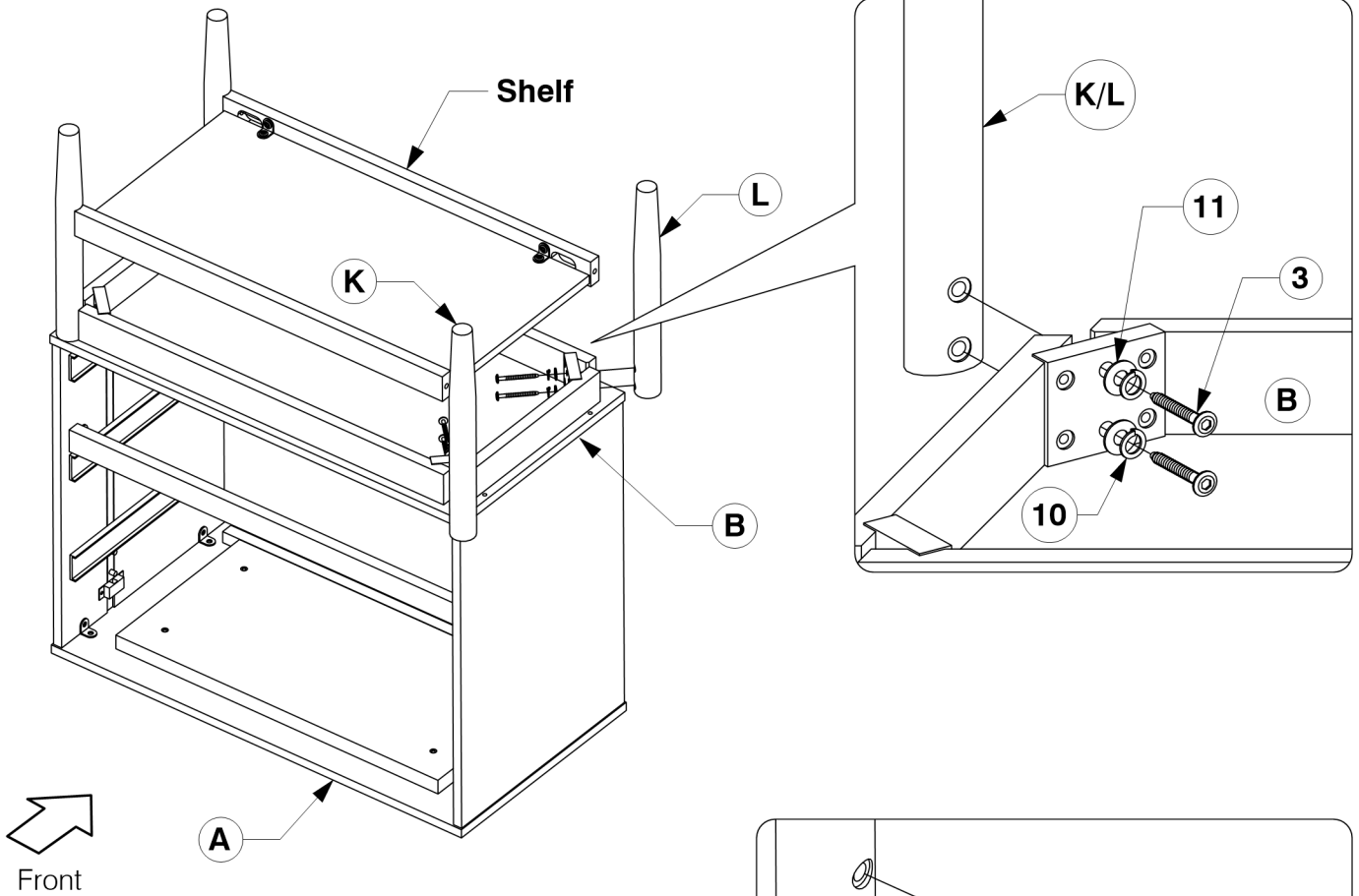


9013 3 Drawer Chest

Assembly Instructions

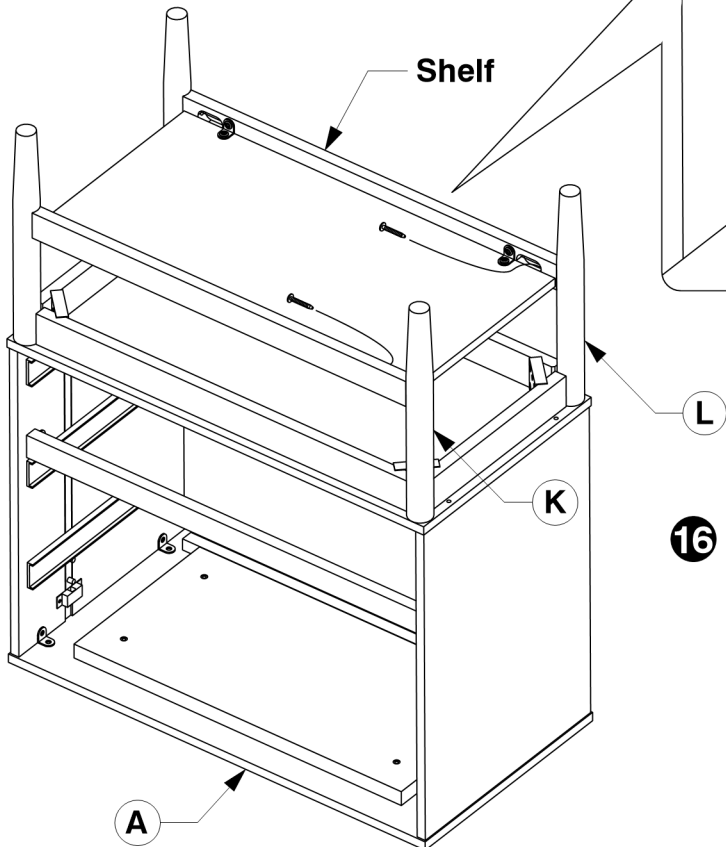
WI-0724

15 Fit Posts (K & L) to the Bottom Panel (B).



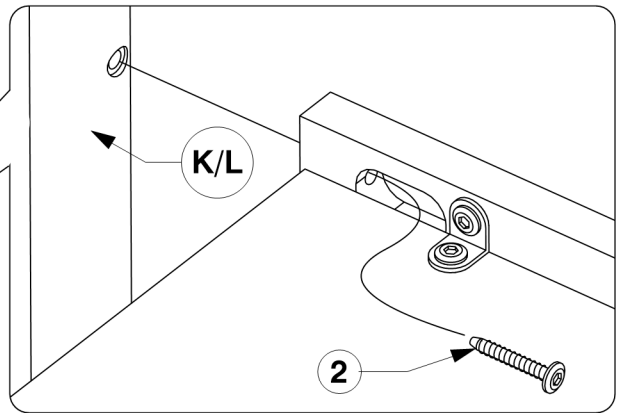
Front

A



Front

A



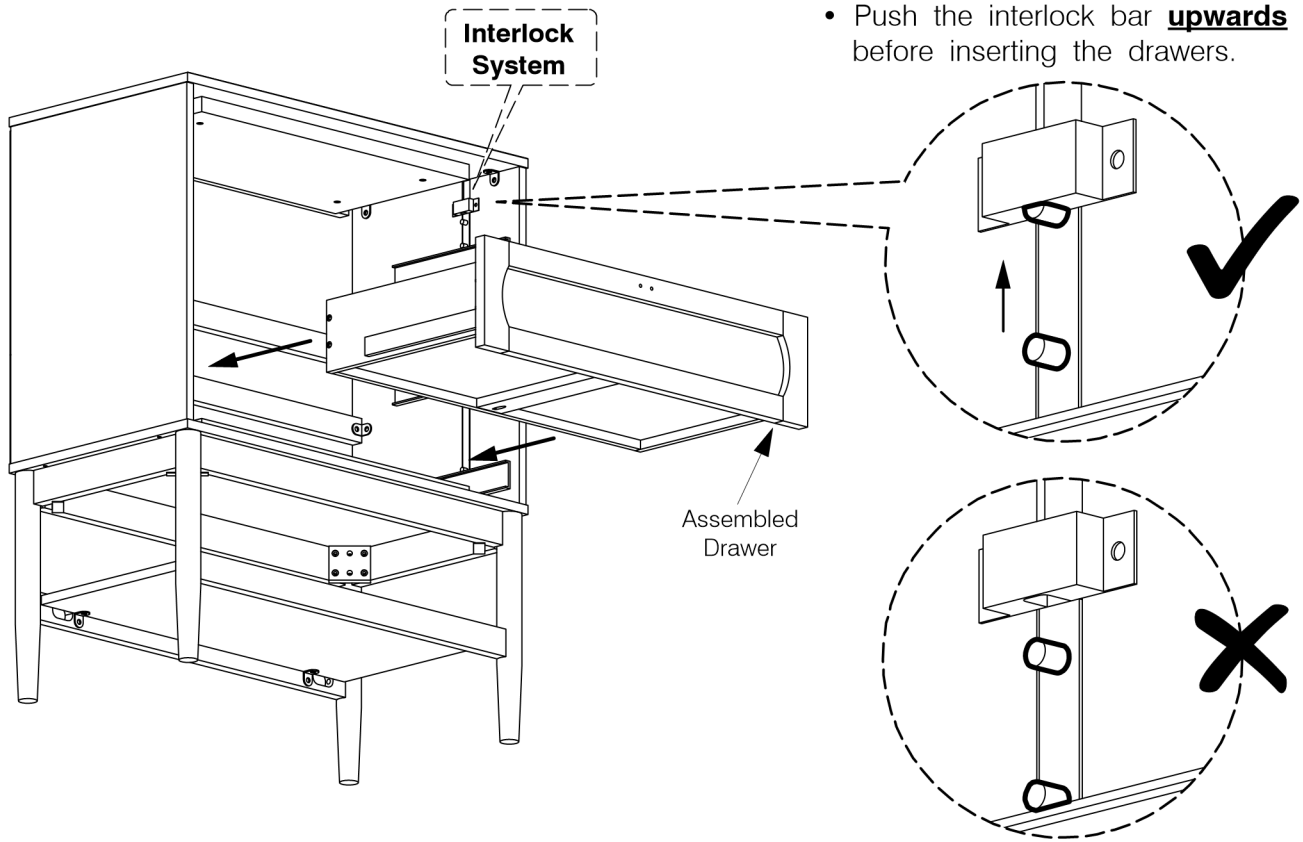
16 Tighten the Shelf to the Posts (K & L).

9013 3 Drawer Chest

Assembly Instructions

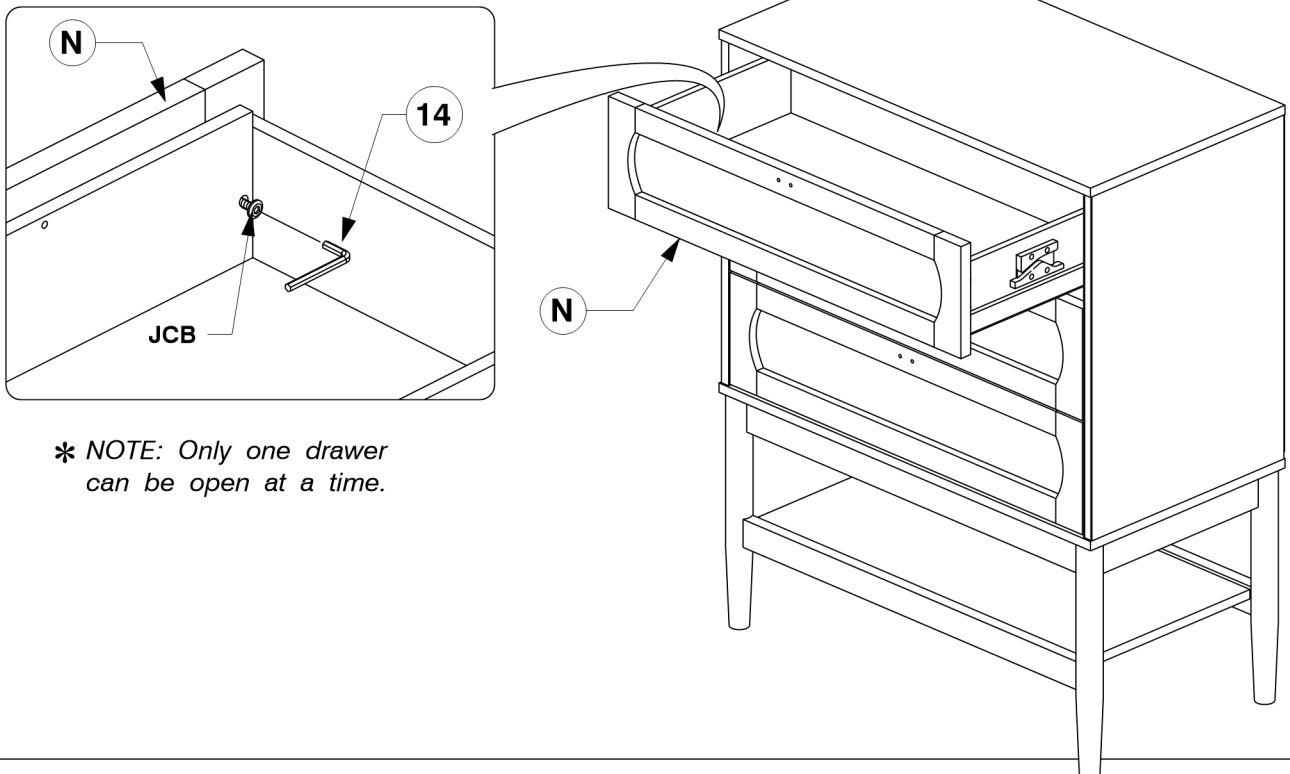
WI-0724

17 Install the Drawer.



18 Fit and adjust the Drawer Face (N).

* NOTE: Before fitting the Wood Screws.
Loosen the JCBs on the Drawer Face if
the face needs alignment.



* NOTE: Only one drawer
can be open at a time.

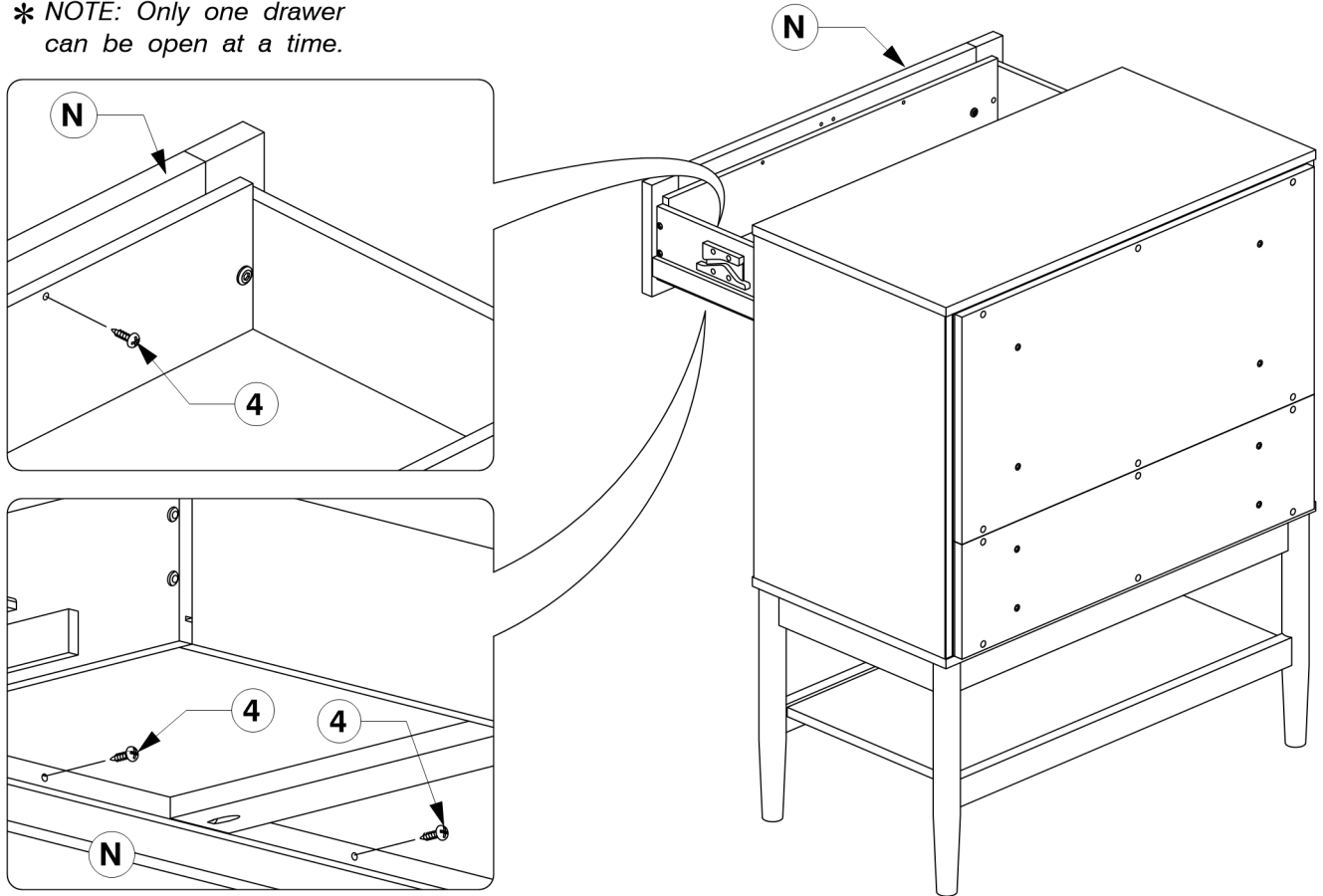
9013 3 Drawer Chest

Assembly Instructions

WI-0724

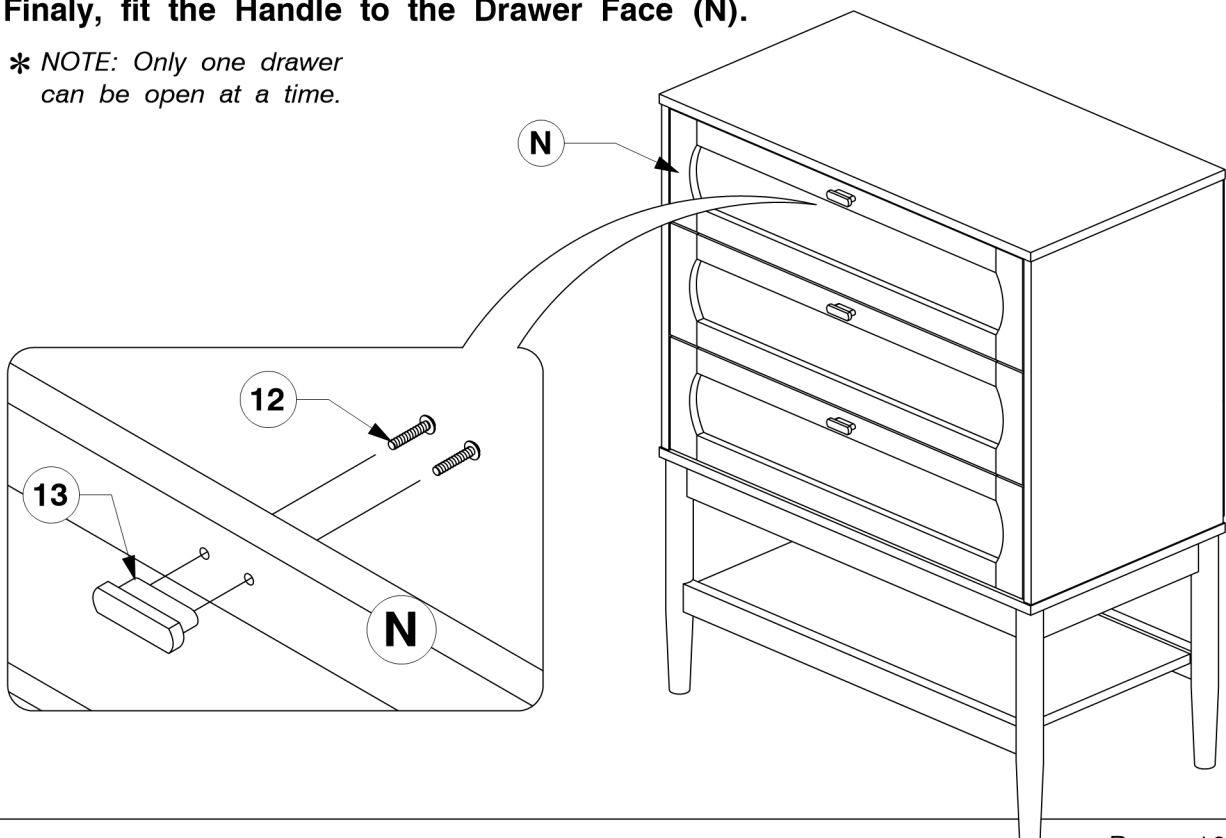
- 19** After the Drawer Faces (N) are aligned, secure with wood screws.

* NOTE: Only one drawer can be open at a time.



- 20** Finally, fit the Handle to the Drawer Face (N).

* NOTE: Only one drawer can be open at a time.



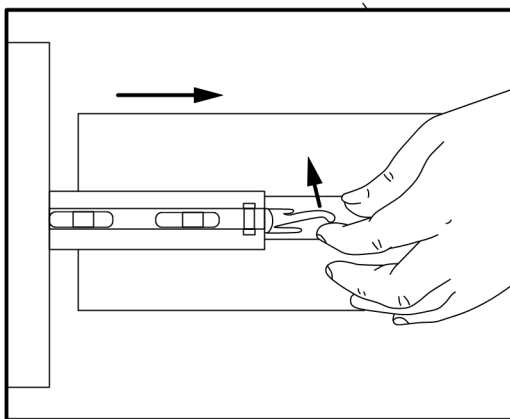
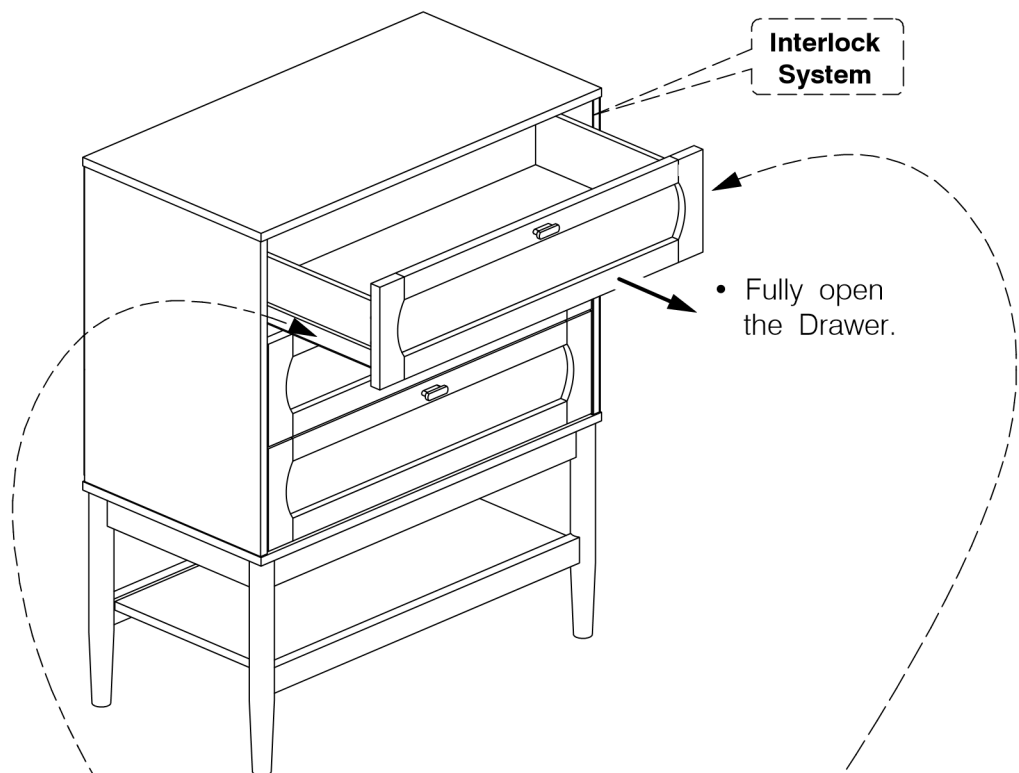
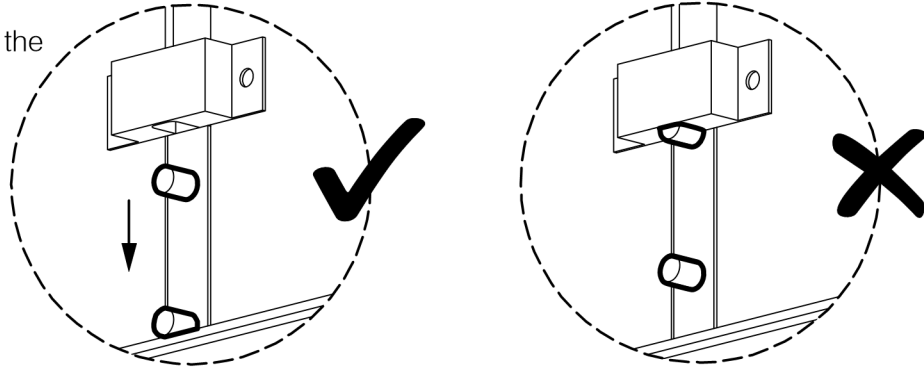
9013 3 Drawer Chest

Assembly Instructions

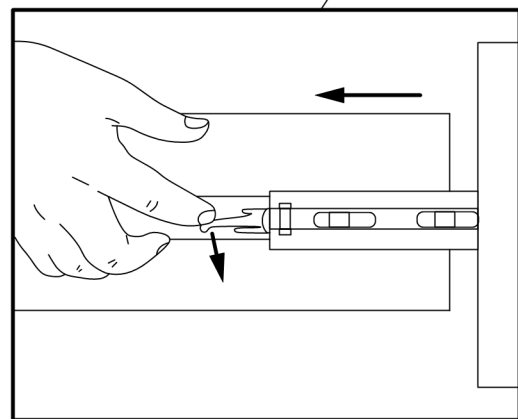
WI-0724

21 Remove the Drawers.

- After removing the top drawer, push the interlock bar **down**. Then remove the lower drawers.



- Lift the **LEFT** side clip up.



- Push **RIGHT** side clip down.