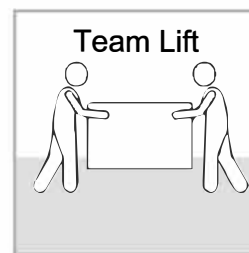
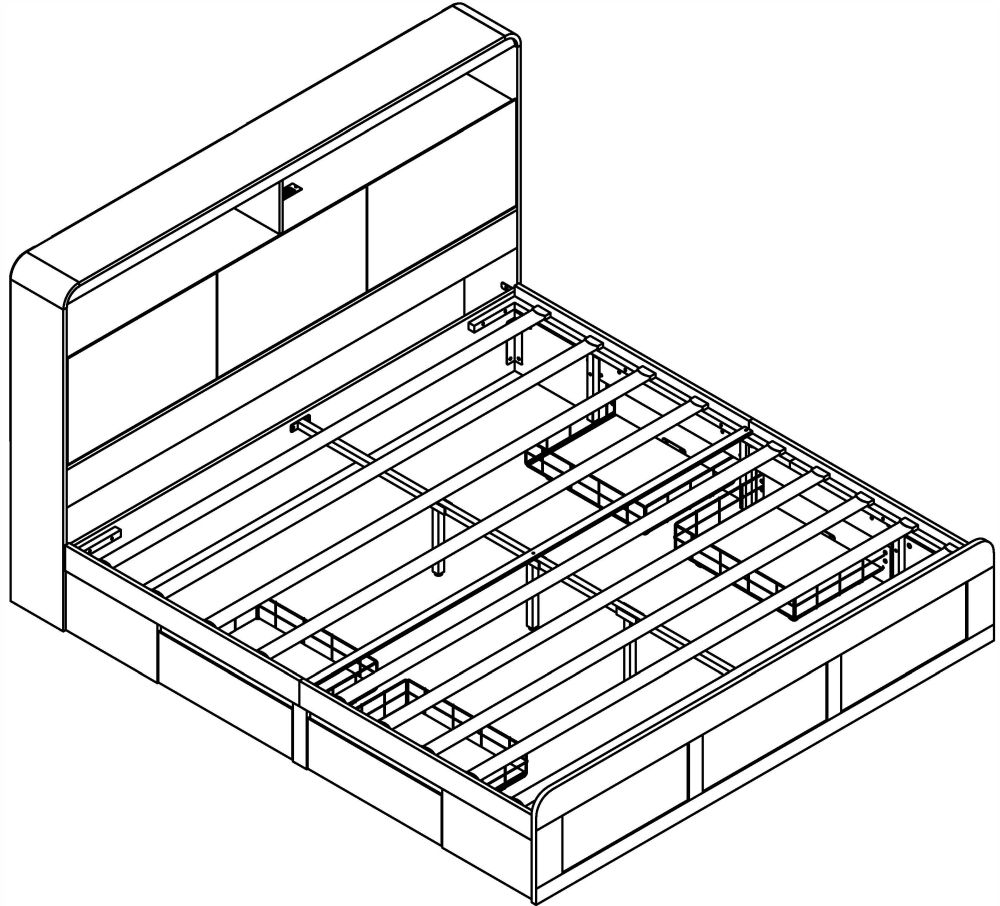
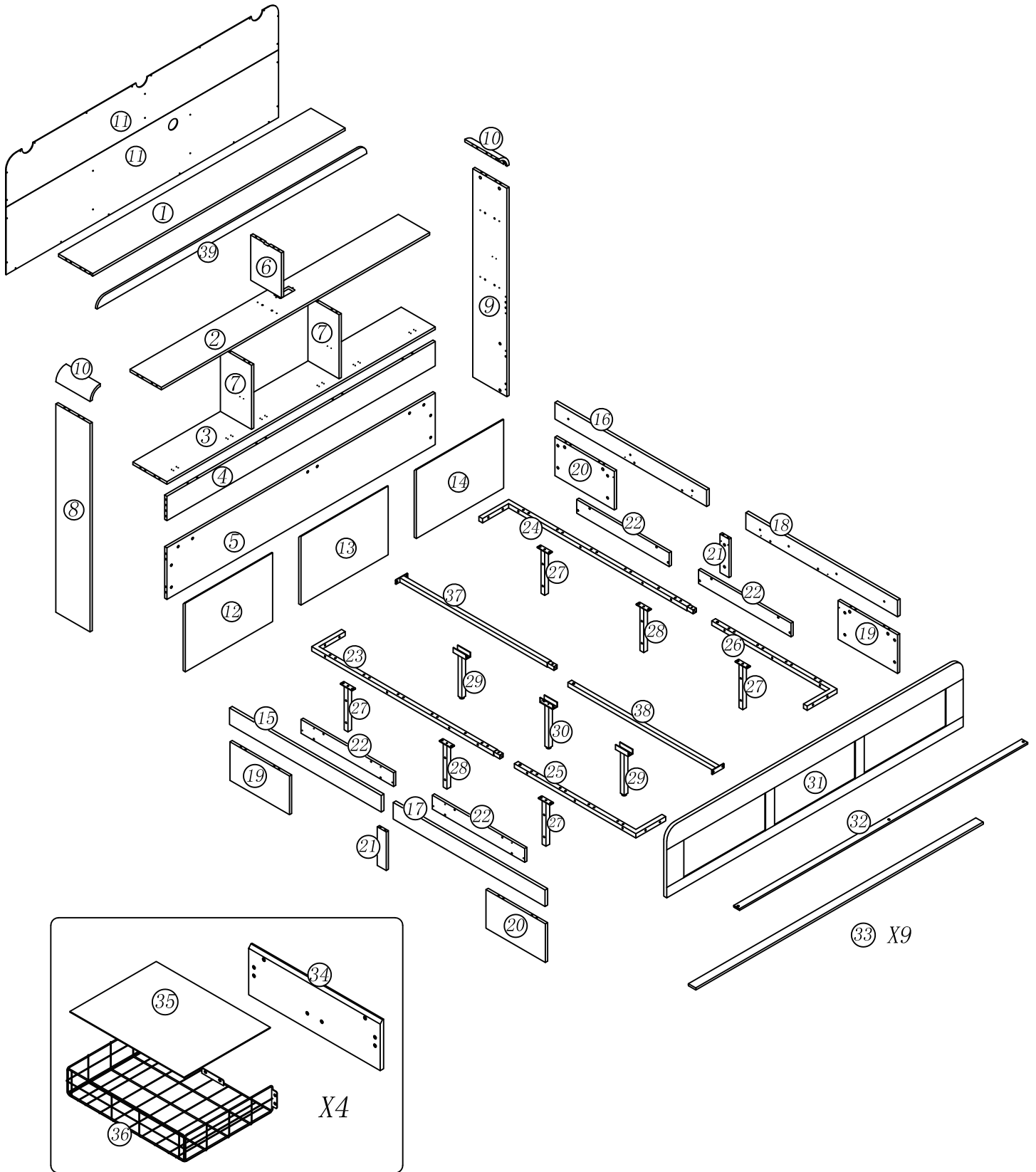


ASSEMBLY INSTRUCTIONS



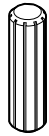
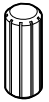
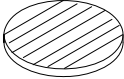
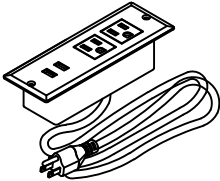
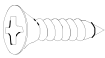
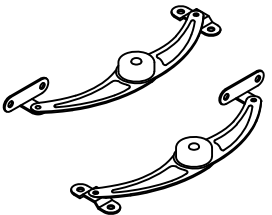
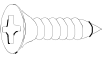

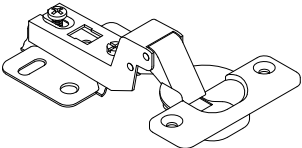
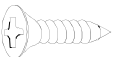
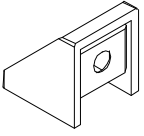
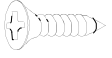

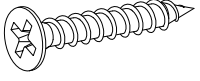
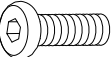
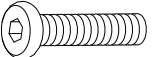
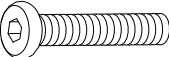
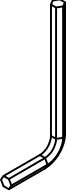


Please contact us if you have any questions! If your products has damages, missing parts, problems with installation and use, or you are not 100% satisfied with our products, please contact us!

PACKAGE INCLUDE

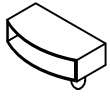


PACKAGE CONTENT

<p>Ø6x35MM</p>  <p>(A) 48x+2</p>	<p>Ø15x11MM</p>  <p>(B) 48x+2</p>	<p>Ø8x30MM</p>  <p>(C) 52x+2</p>	<p>Ø8x25MM</p>  <p>(D) 8x+1</p>
<p>Ø25MM</p>  <p>(E) 16x+2</p>	<p>(F) 1x</p> 	<p>Ø3x12MM</p>  <p>(G) 2x</p>	<p>(H) 3x</p> 
<p>Ø3x12MM</p>  <p>(J) 24x+2</p>	<p>Ø10x2MM</p>  <p>(K) 6x</p>	<p>Ø35MM</p>  <p>(L) 6x</p>	<p>Ø3.5x14MM</p>  <p>(M) 36x+2</p>
<p>20x20MM</p>  <p>(N) 4x</p>	<p>Ø3.5x12MM</p>  <p>(O) 8x+1</p>	<p>Ø3x15MM</p>  <p>(P) 28x+2</p>	<p>Ø4x25MM</p>  <p>(Q) 16x+1</p>
<p>M6x12MM</p>  <p>(R) 70x+2</p>	<p>M6x35MM</p>  <p>(S) 34x+2</p>	<p>M6x45MM</p>  <p>(U) 3x</p>	<p>4MM</p>  <p>(V) 1x</p>

PACKAGE CONTENT

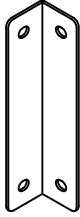
56*30*30MM



W

18x+1

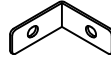
160*35*35*2MM



X

4x

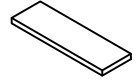
50*35*35*2MM



Y

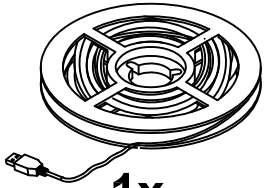
4x

48*15*3MM



Z

20x+2



1x



1x

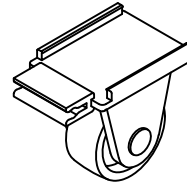
AA



5x



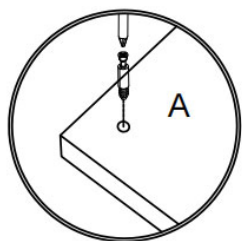
5x



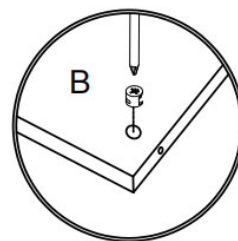
AB

16x

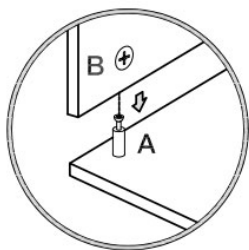
How to use the cam lock system



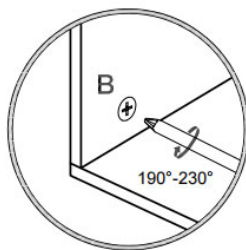
1. Screw cam bolt into panel



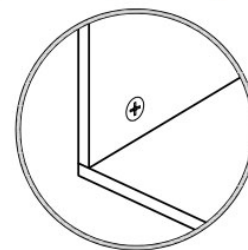
2. Push cam into panel - arrow feature on cam top points to panel edge



3. Align cam bolt(s) with cam(s) and insert all the way into cross-bored hole(s)

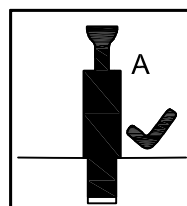
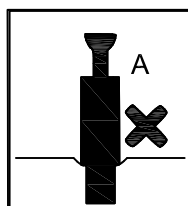
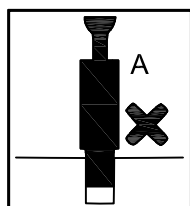
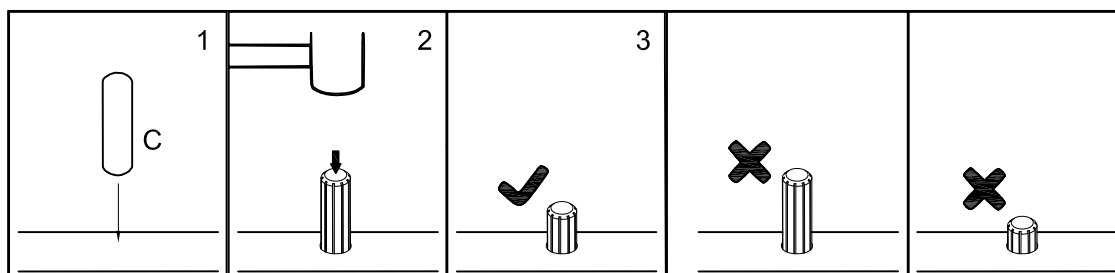


4. Rotate cam(s) clockwise 190°-230° to lock panels together



5. Panels should be tight against each other and connection should be rigid

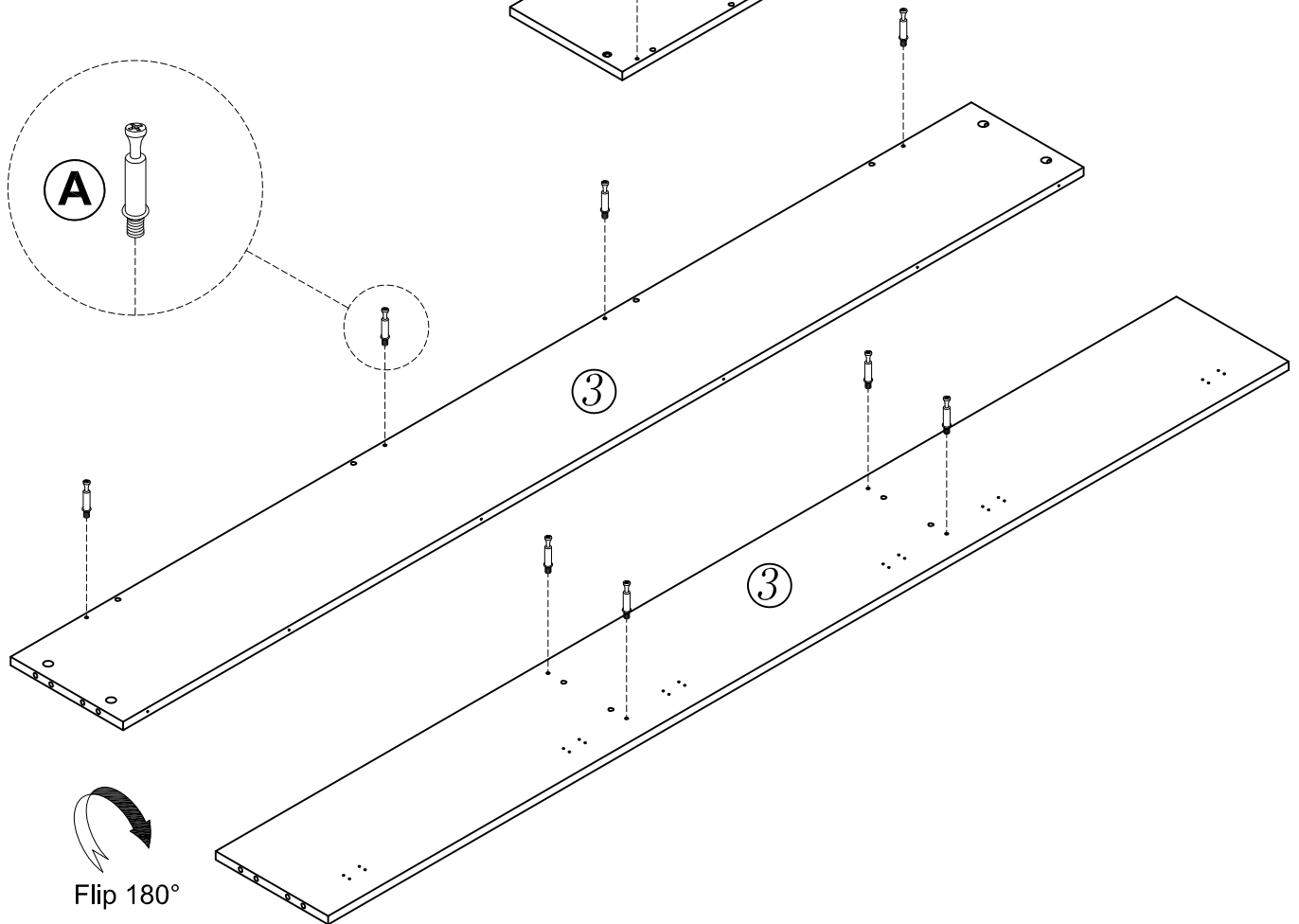
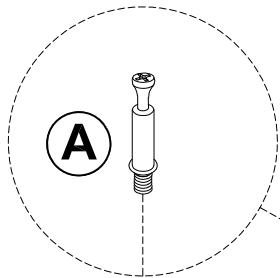
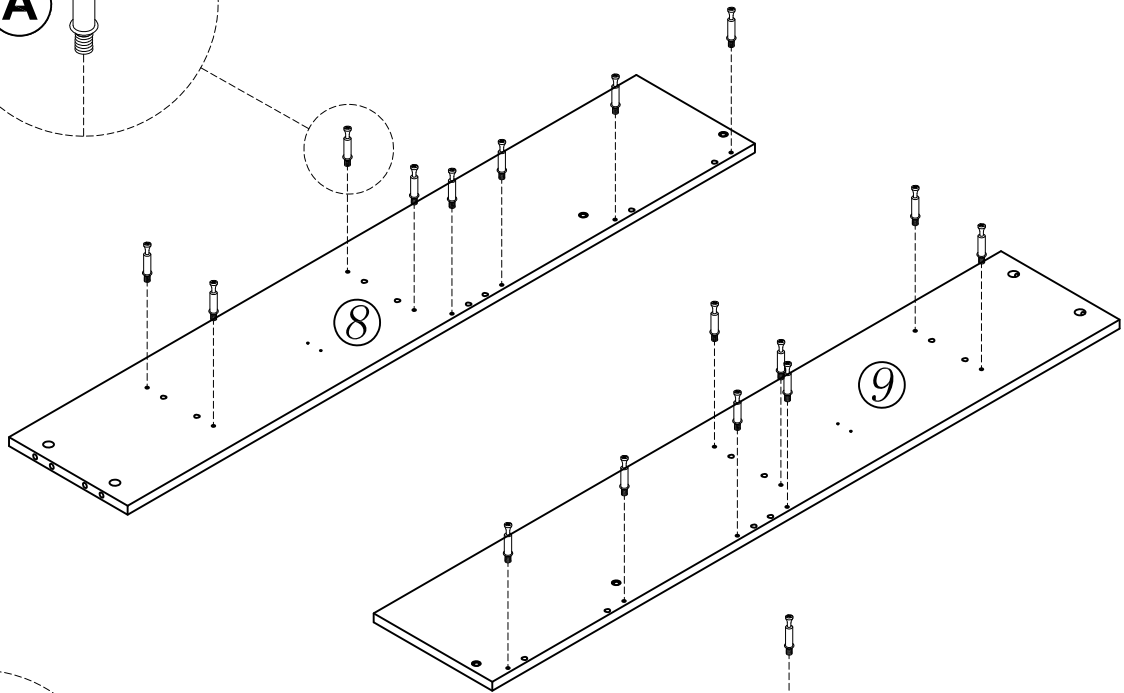
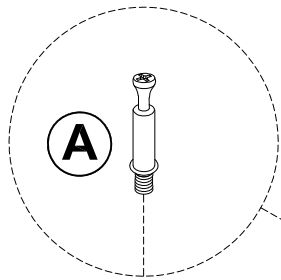
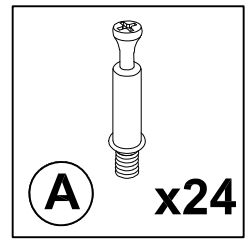
Insert the wood dowel (C) at least half way by tapping lightly with a rubber mallet, IT NECESSARY.



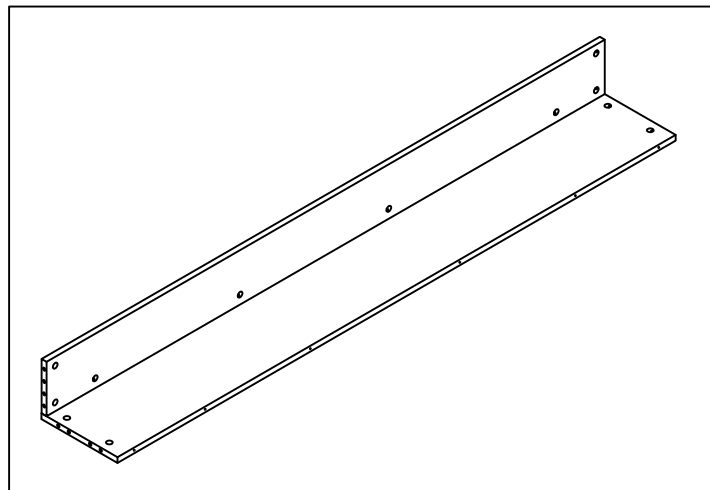
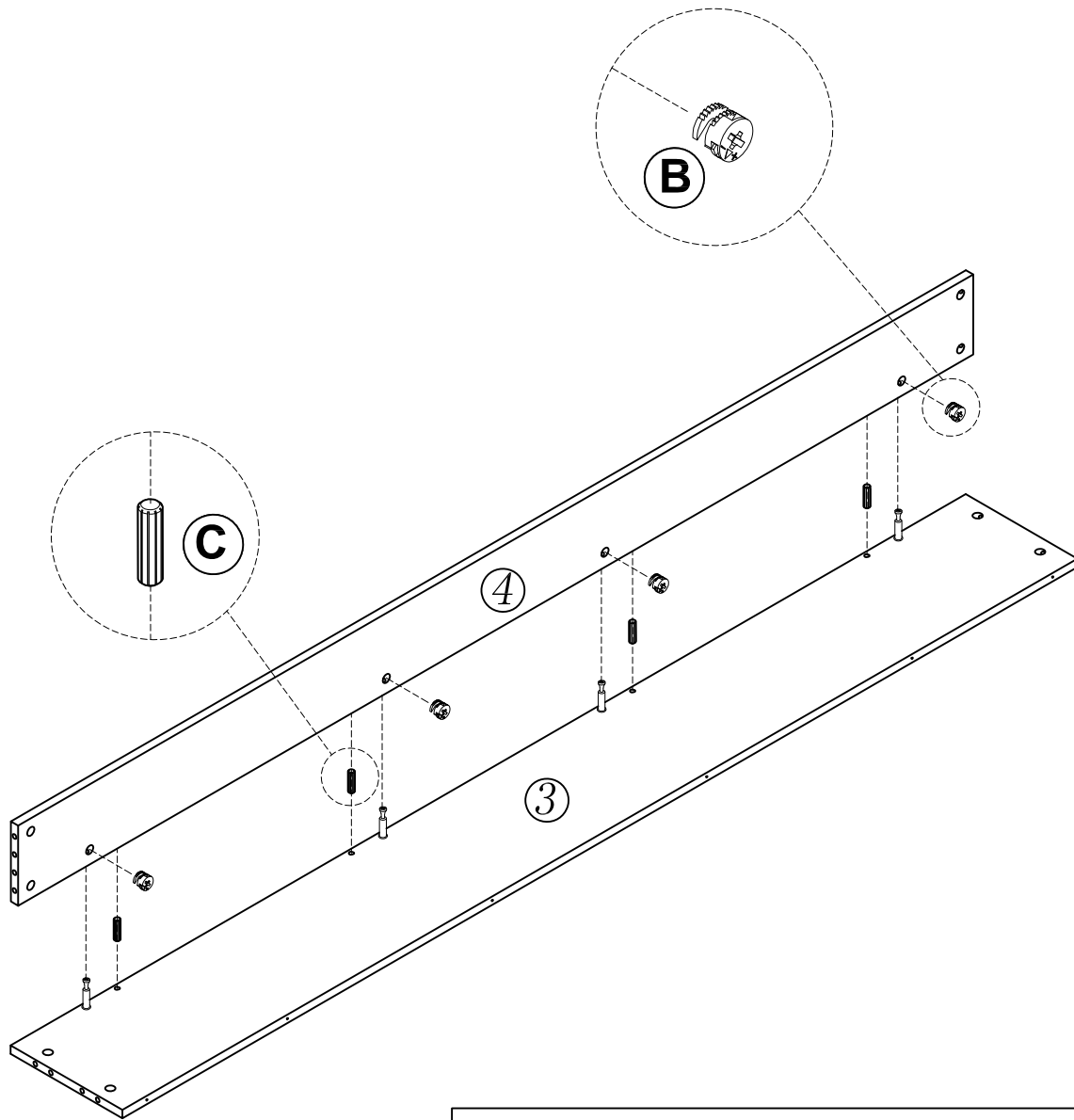
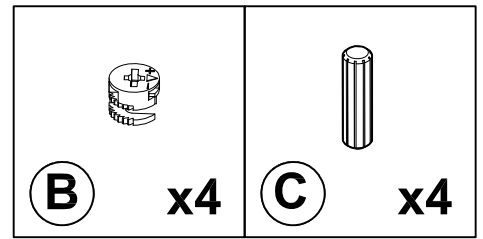
WARNING

- Unit must be placed on a level surface or leveled with included hardware (when applicable).
- Do not sit or stand on or allow children to climb, sit or stand on the assembled product.
- For safety reasons, it is imperative that this unit be mounted to the wall.
- Do not use without installing the tip restraint.
- Unit can tip over causing severe injury or death.
- Do not exceed the recommended weight limits.
- Evenly distribute the weight on each level and always keep the heavier loads on the bottom.
- Before cutting, drilling or hammering into any wall or floor surface, verify the location of electrical, plumbing and gas lines. Cutting may cause serious injury.

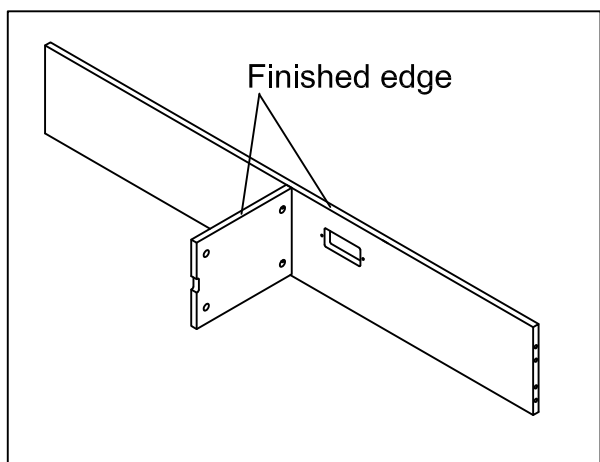
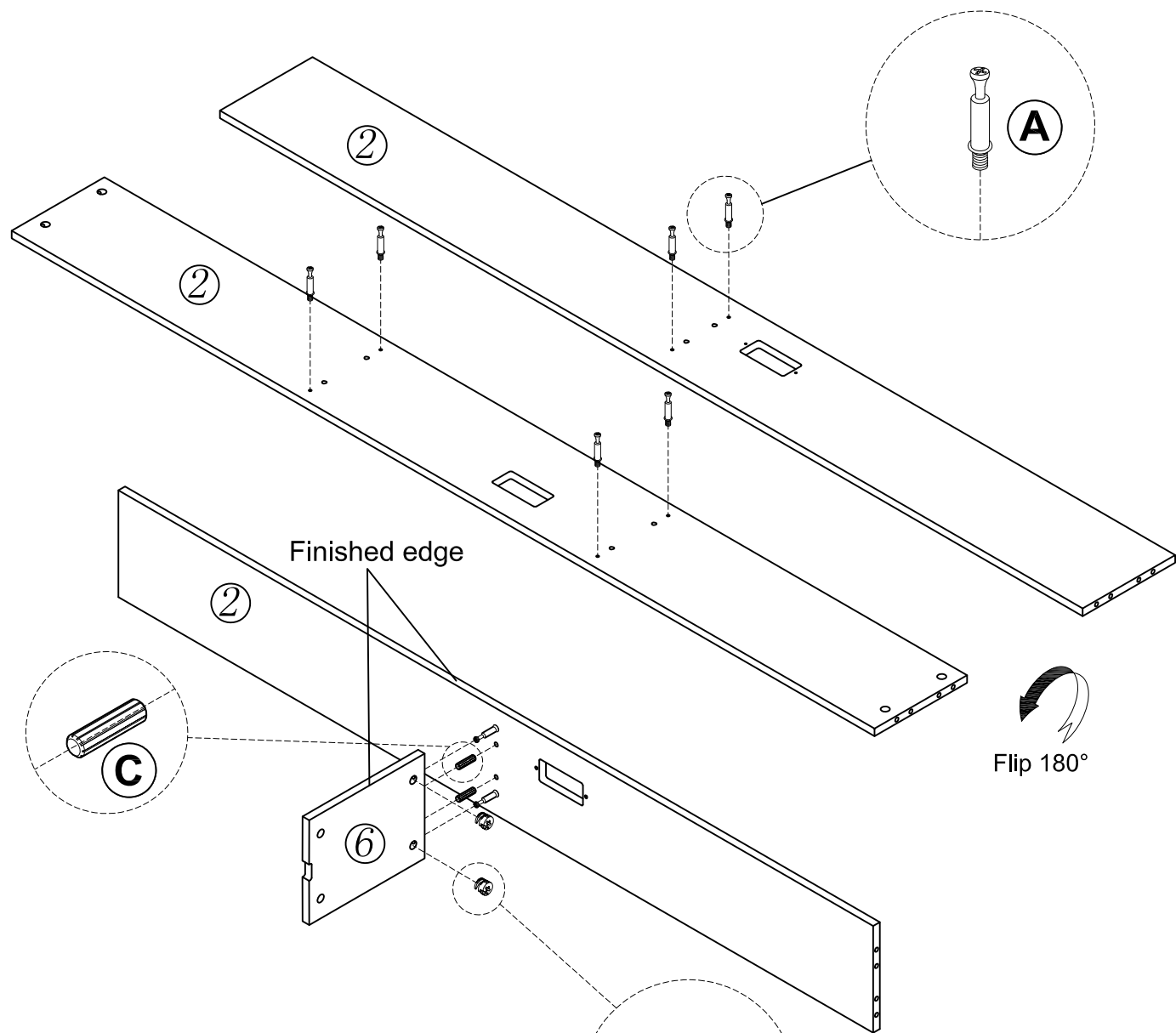
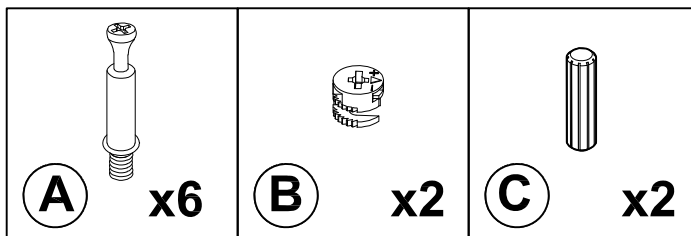
STEP 1



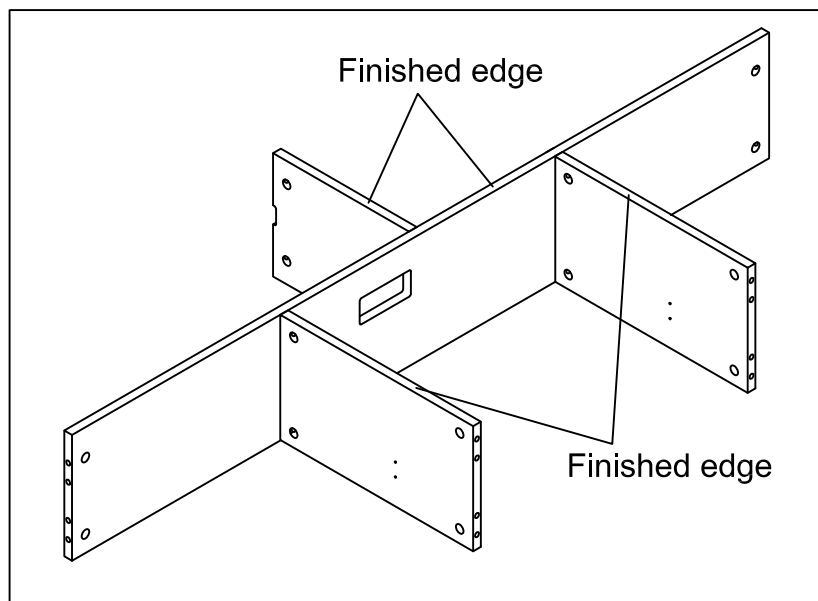
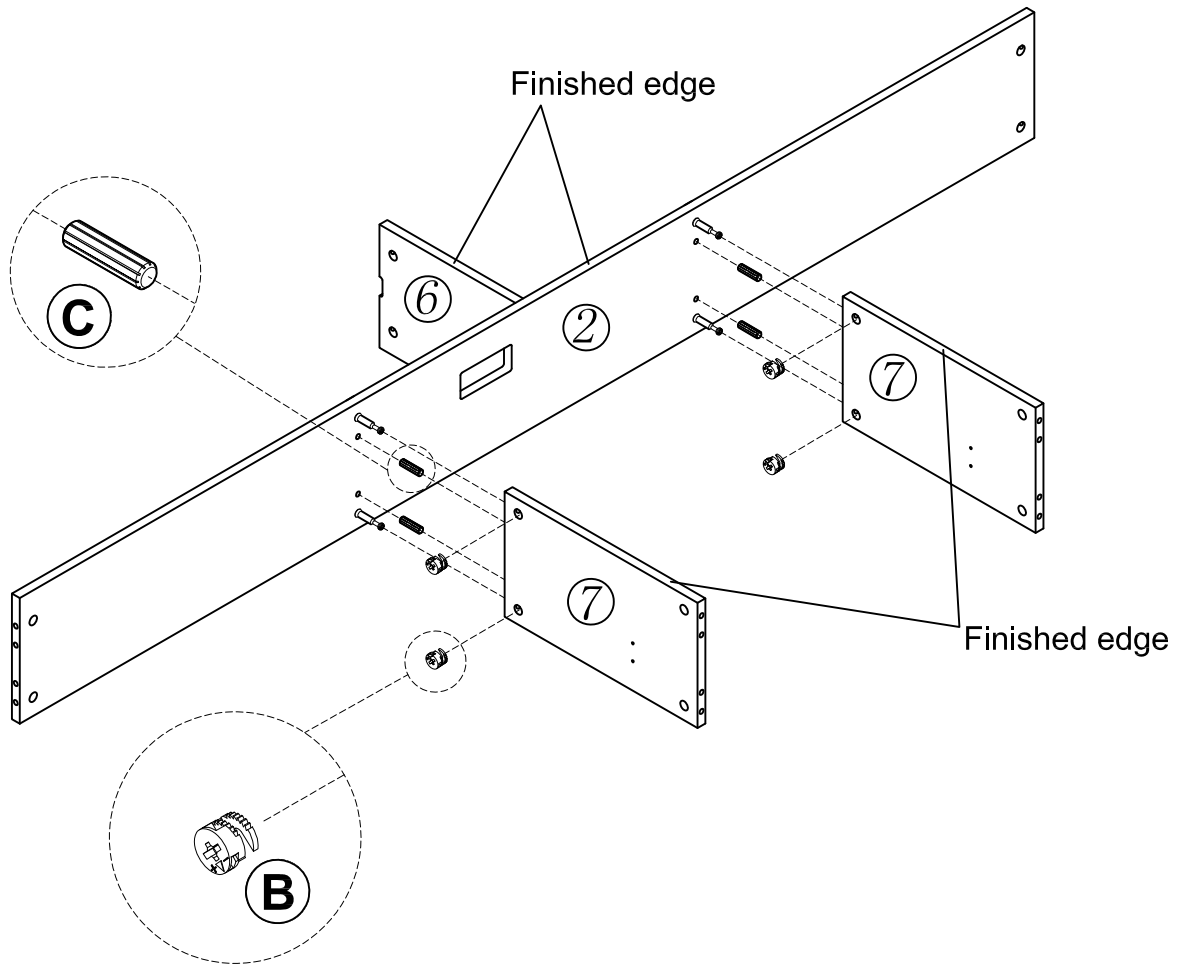
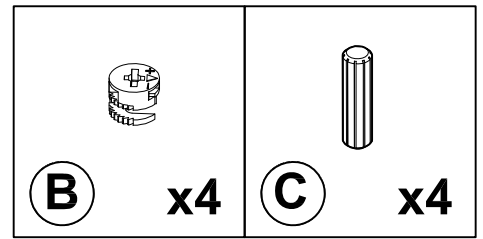
STEP 2



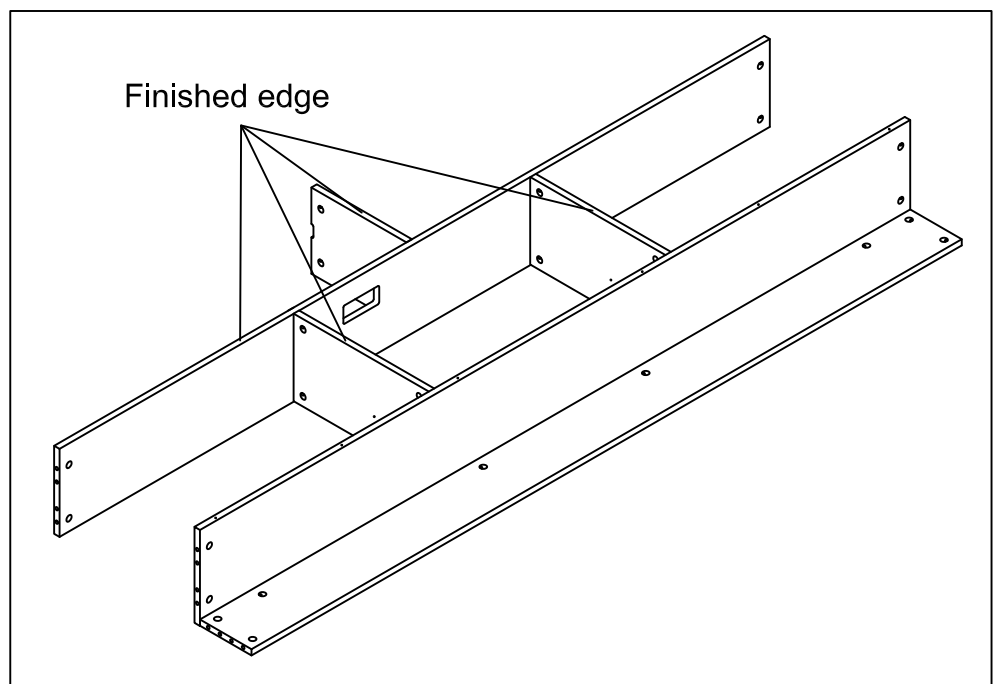
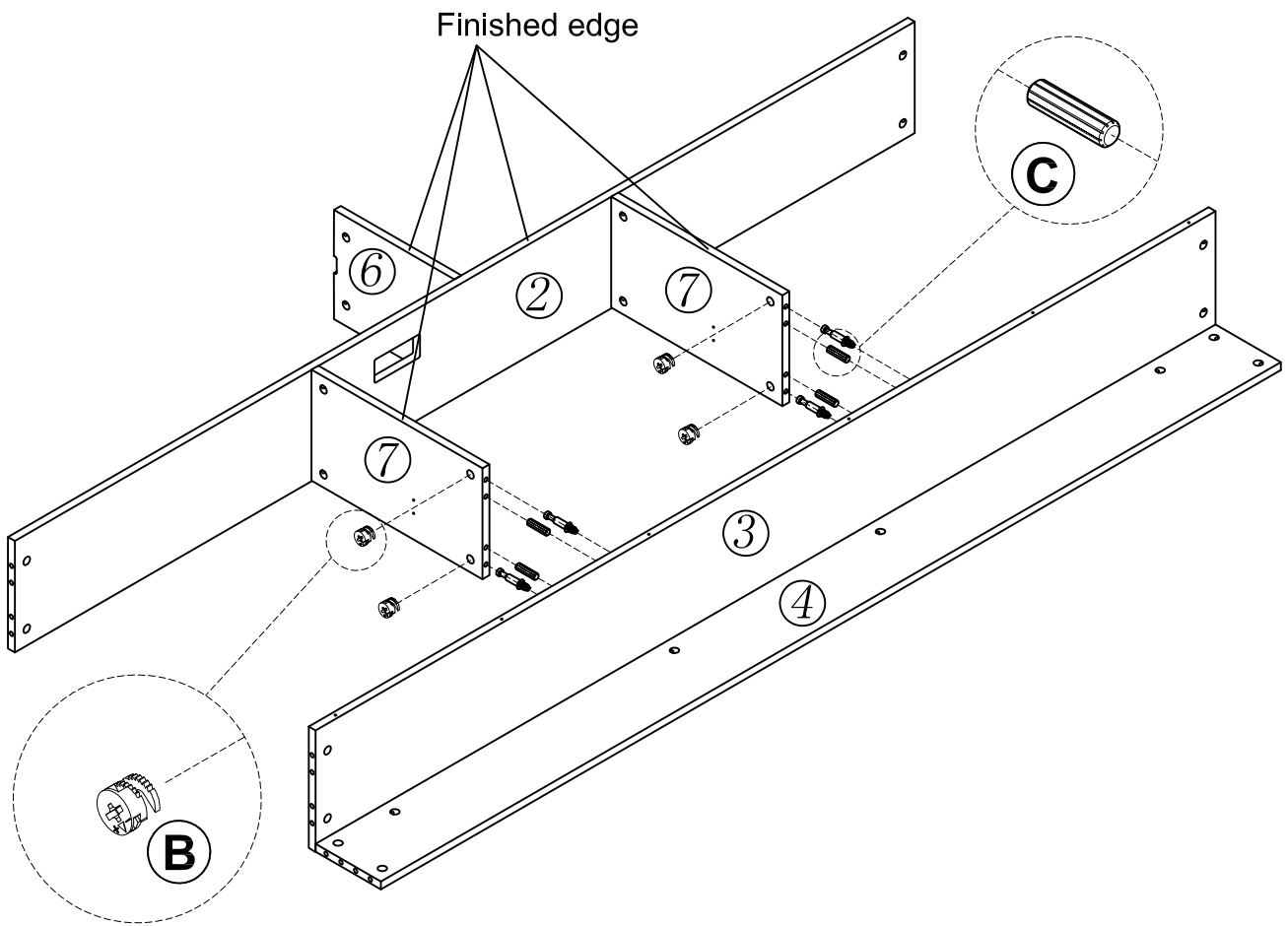
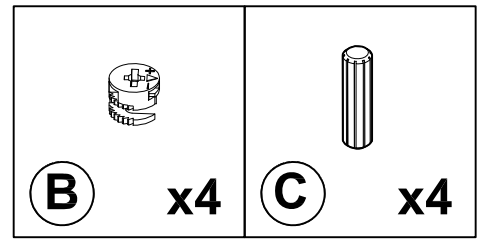
STEP 3



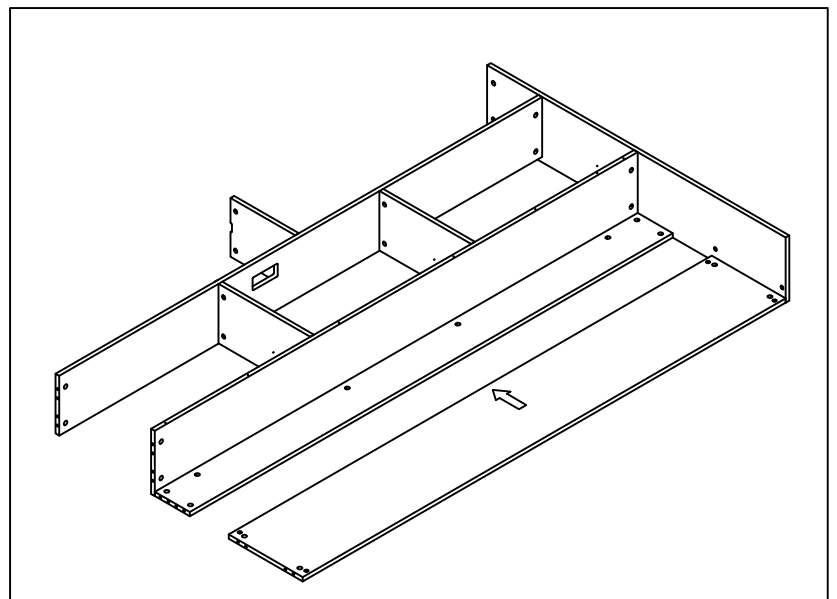
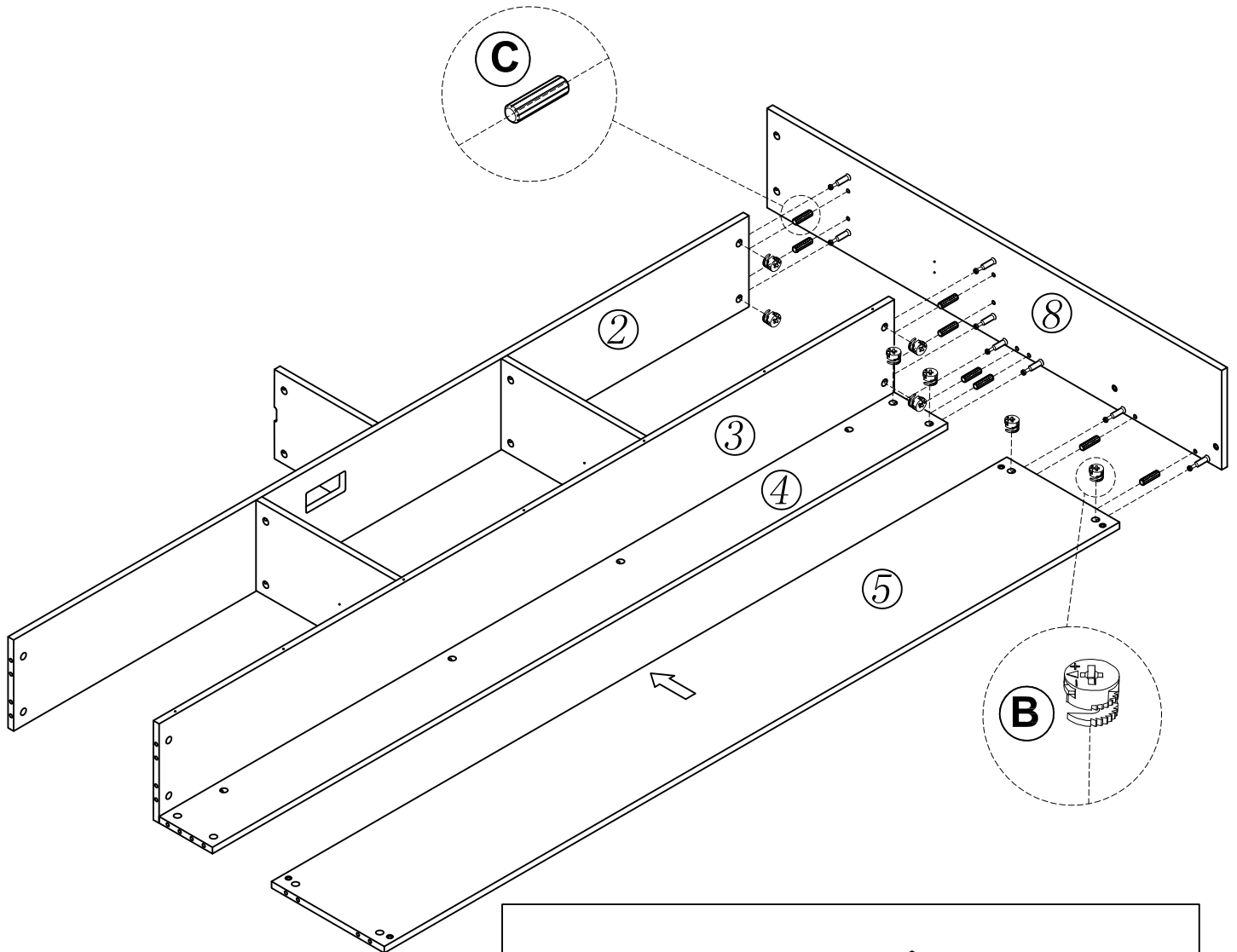
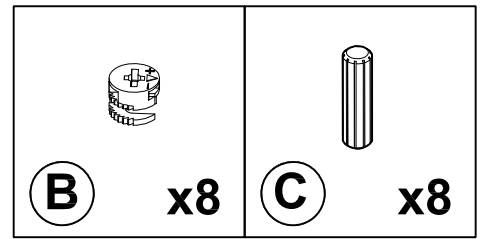
STEP 4



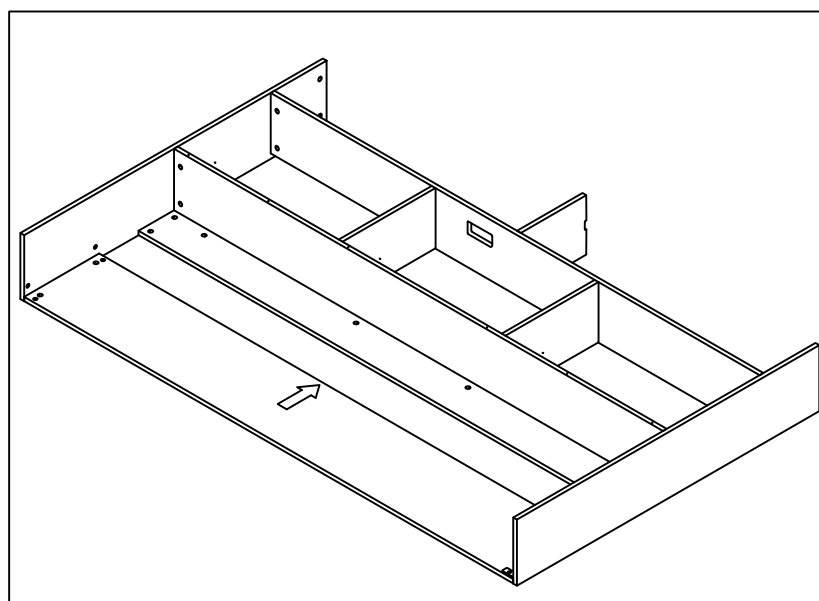
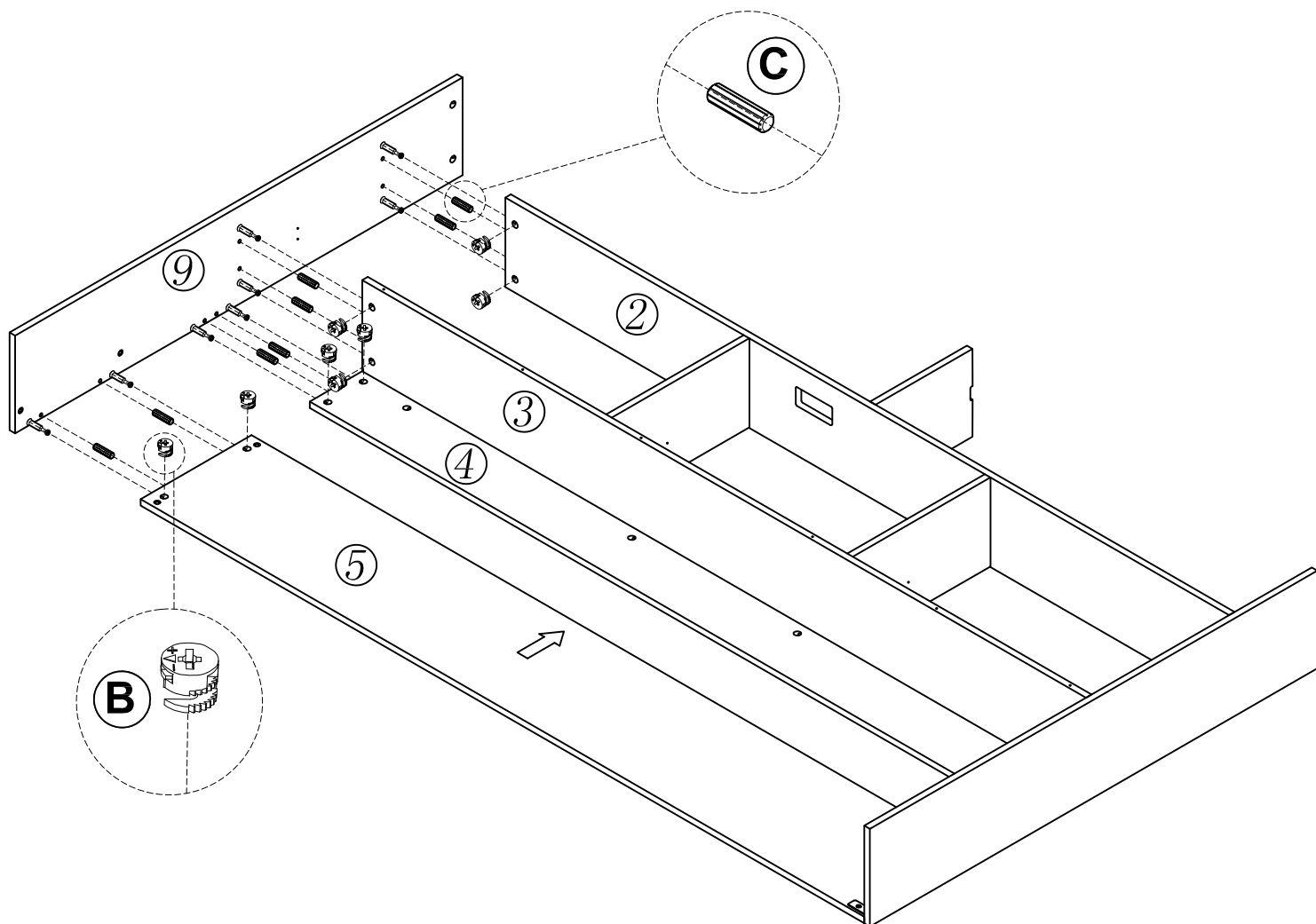
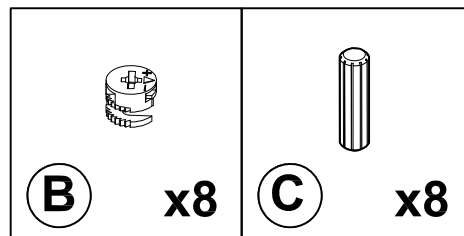
STEP 5



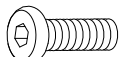
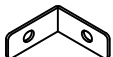

STEP 6

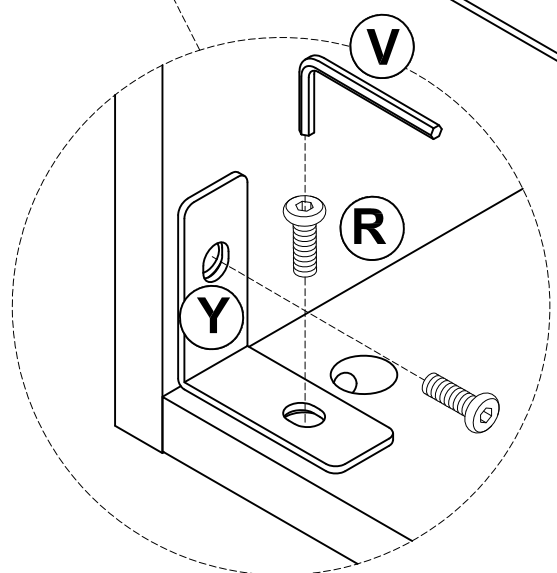
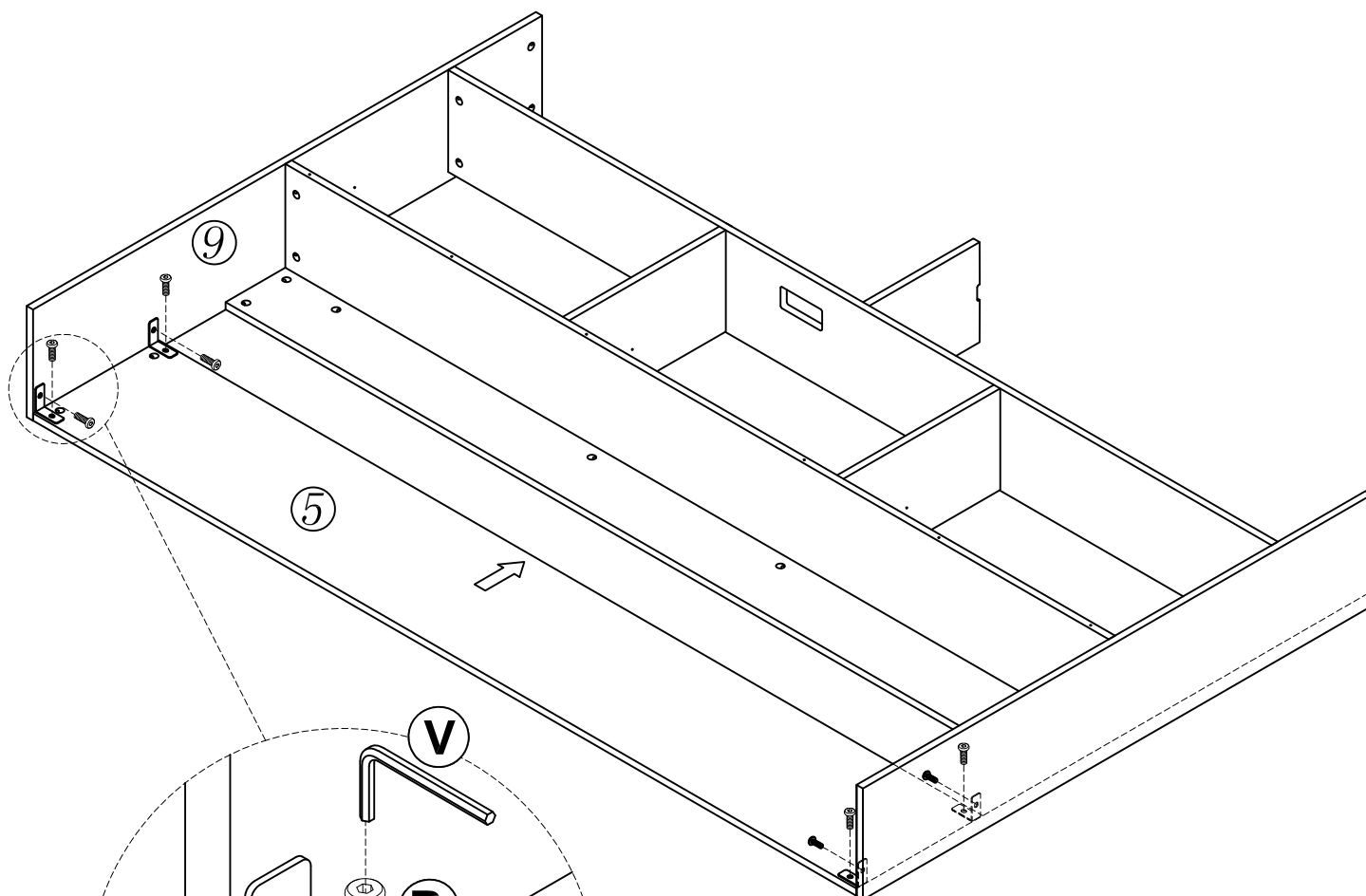


STEP 7

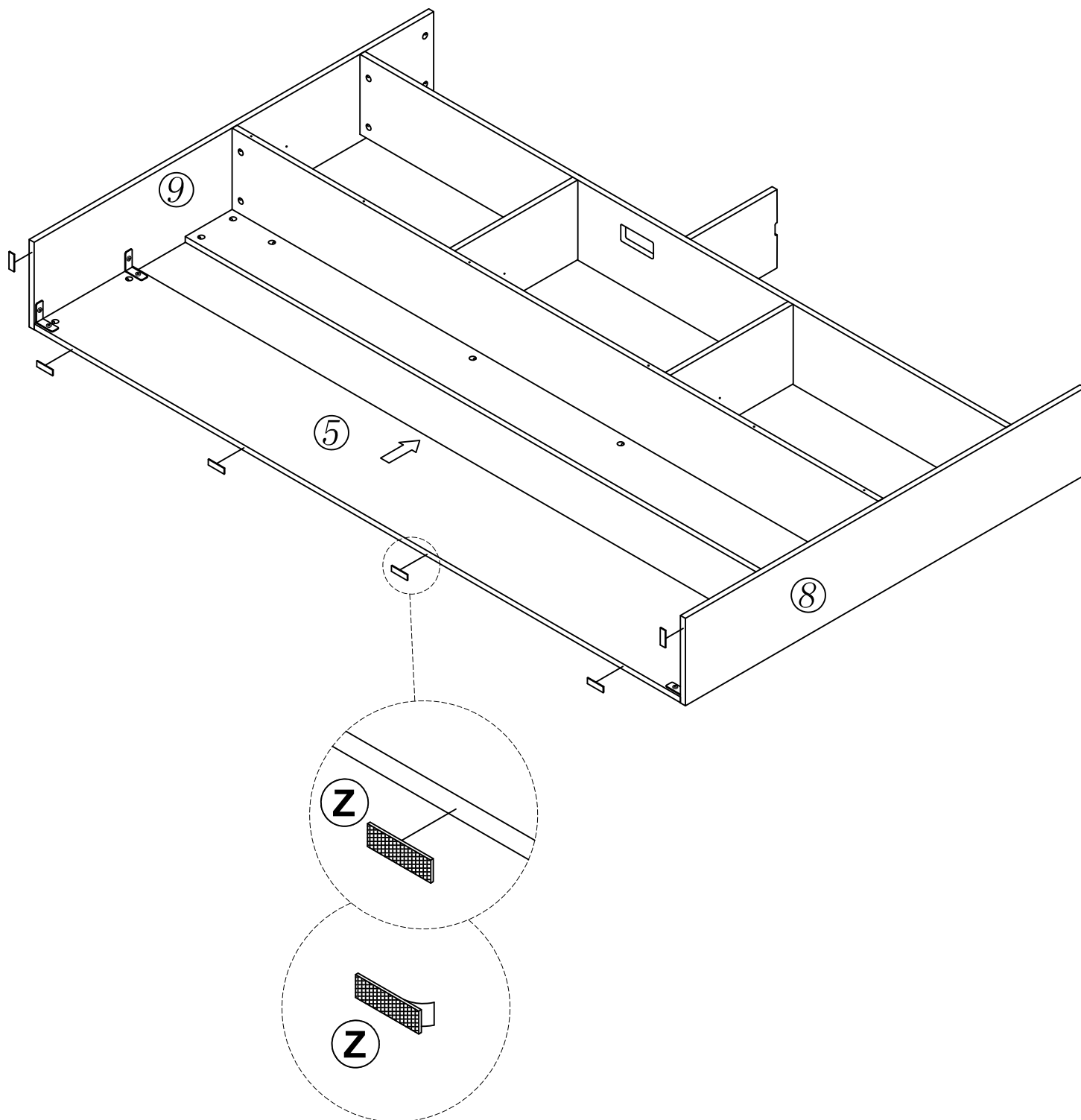
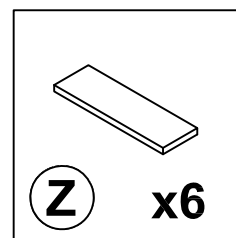


STEP 8

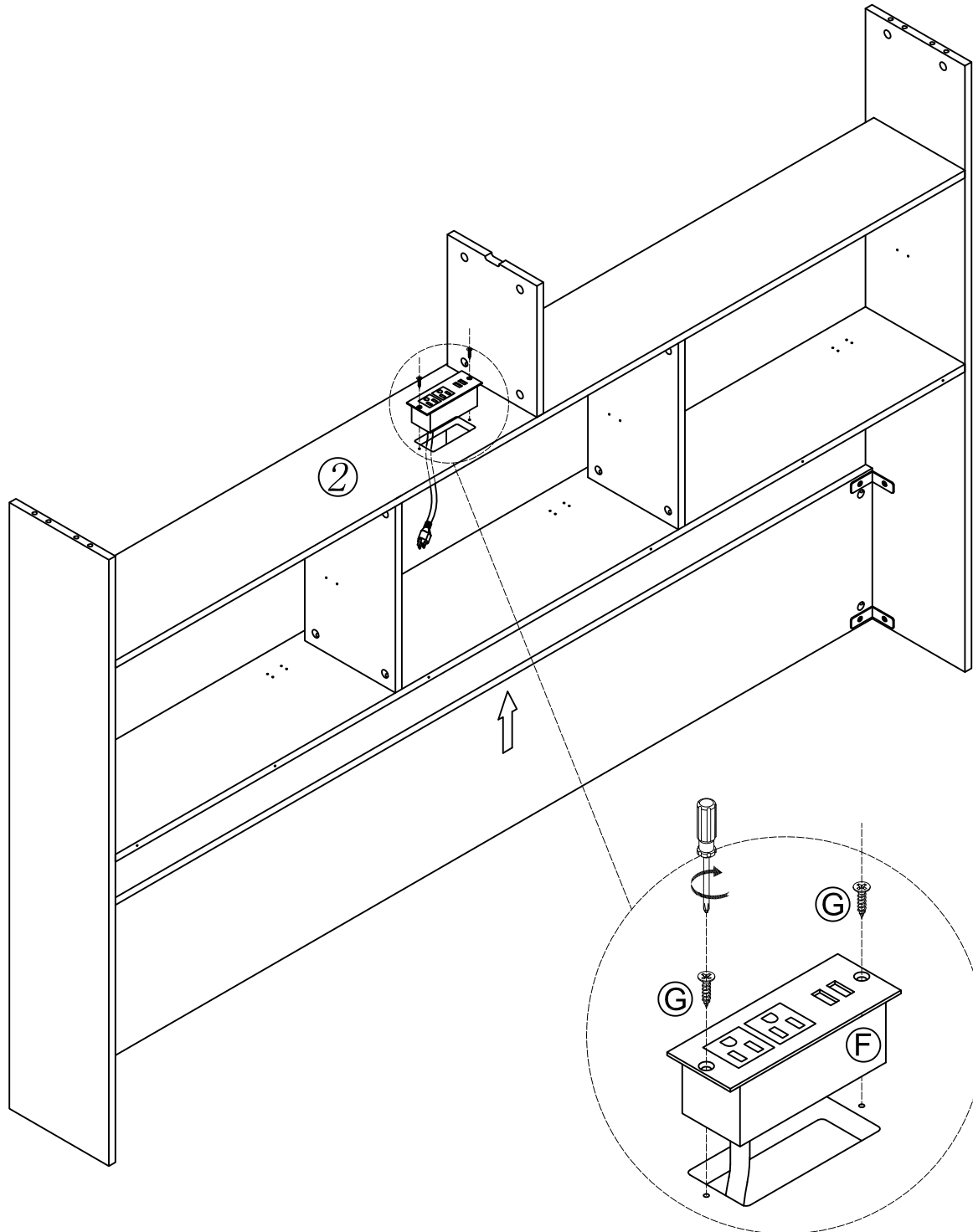
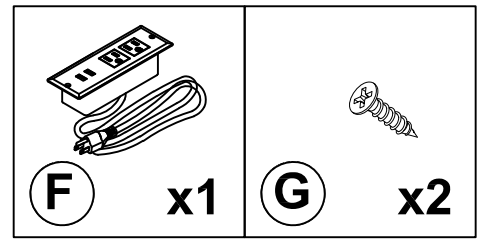
		
(R) x8	(Y) x4	(V) x1



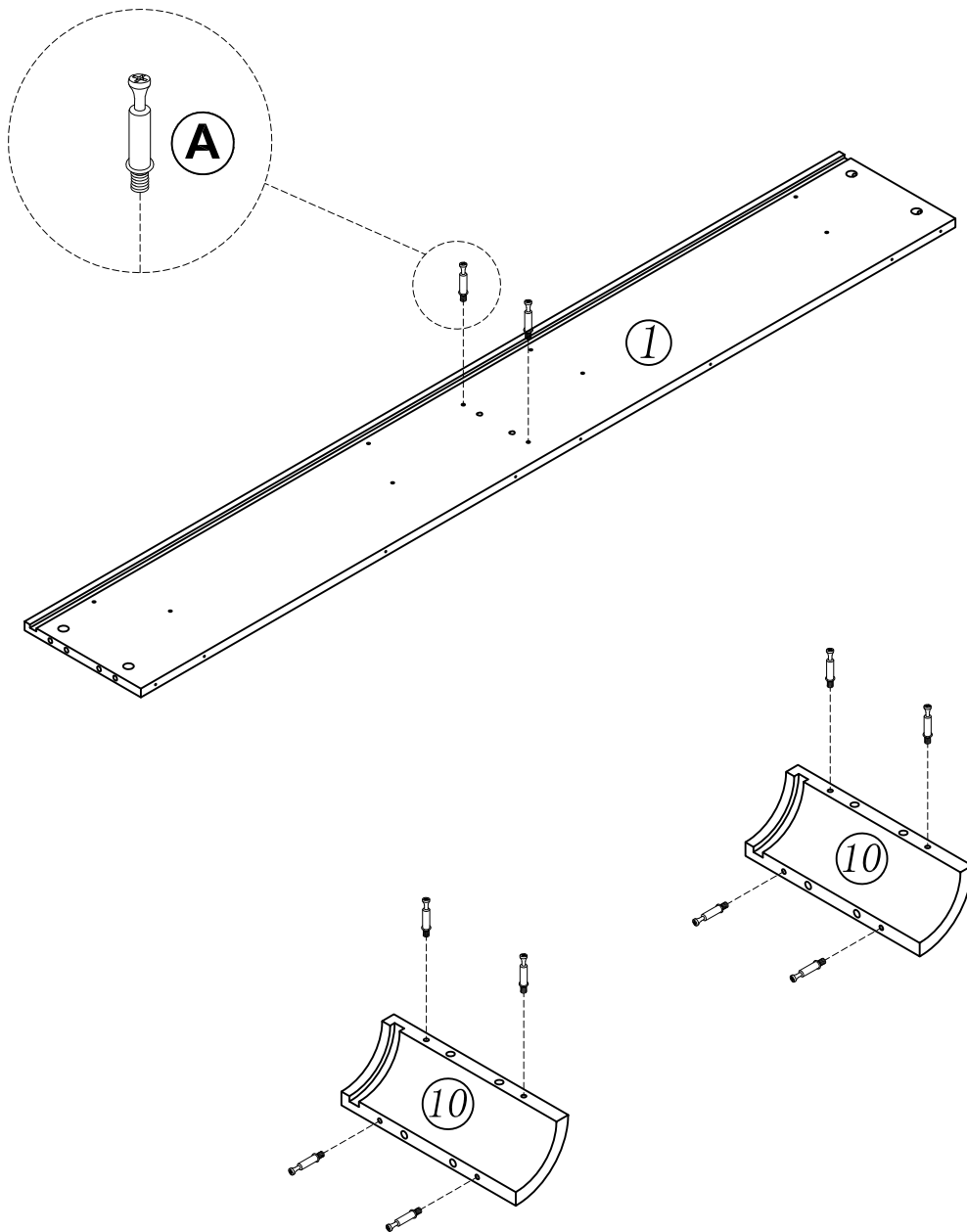
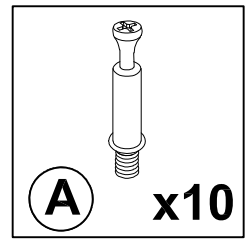
STEP 9



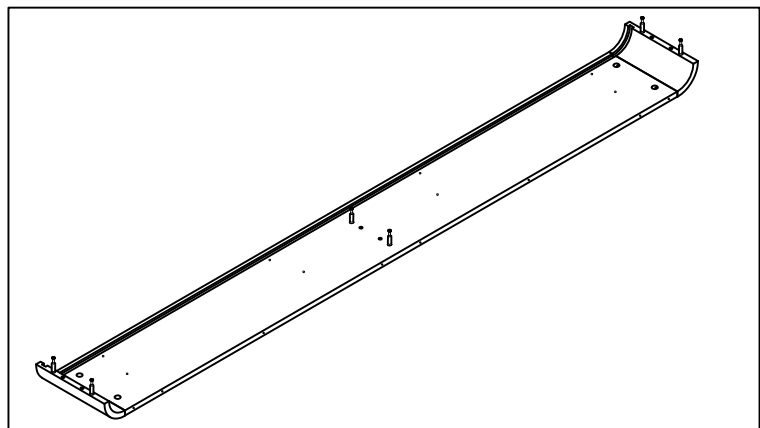
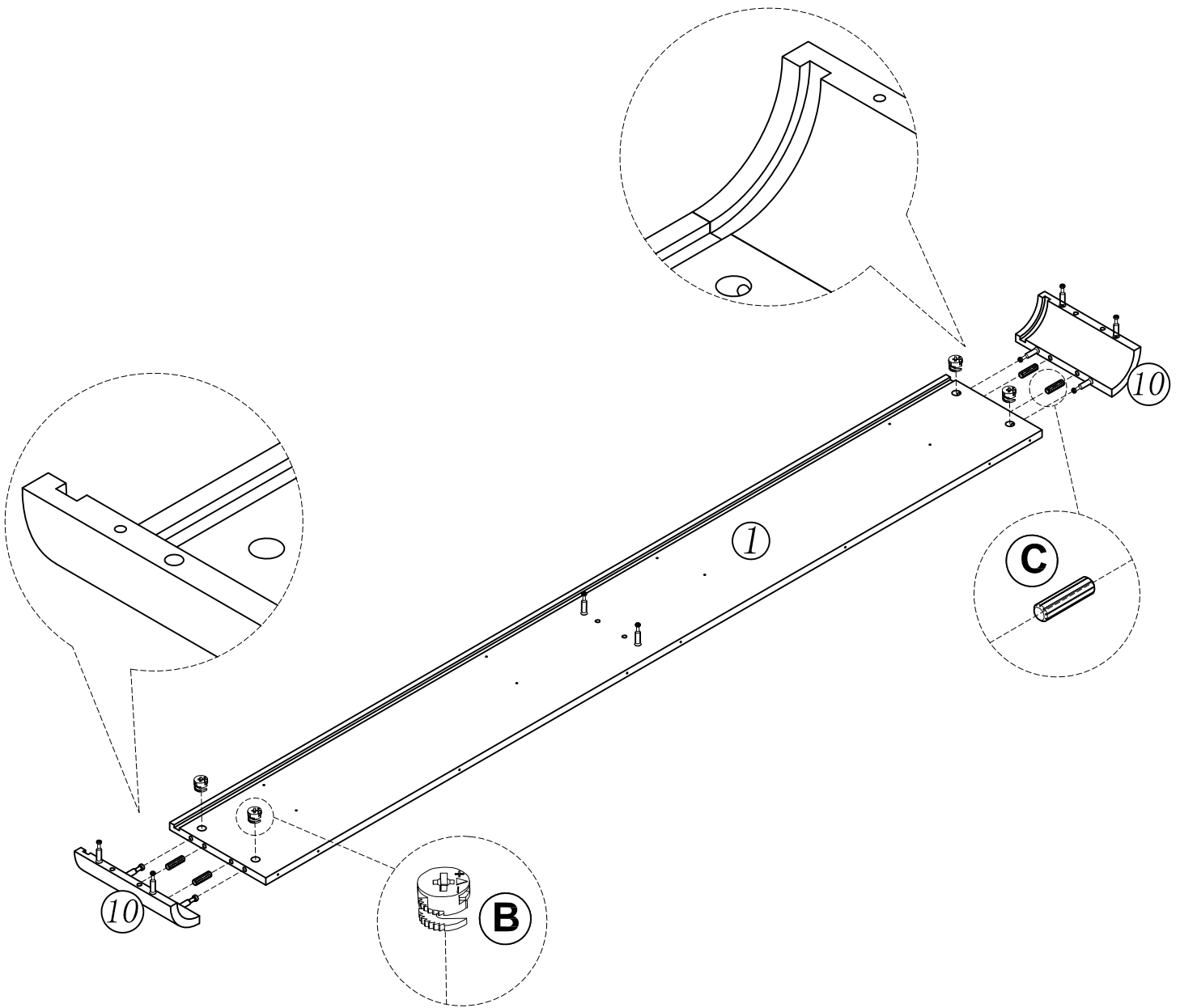
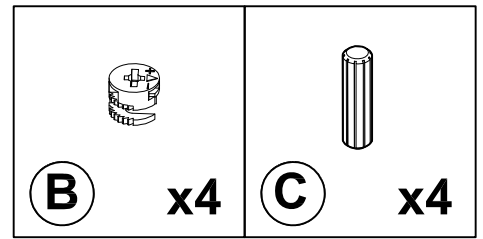
STEP 10



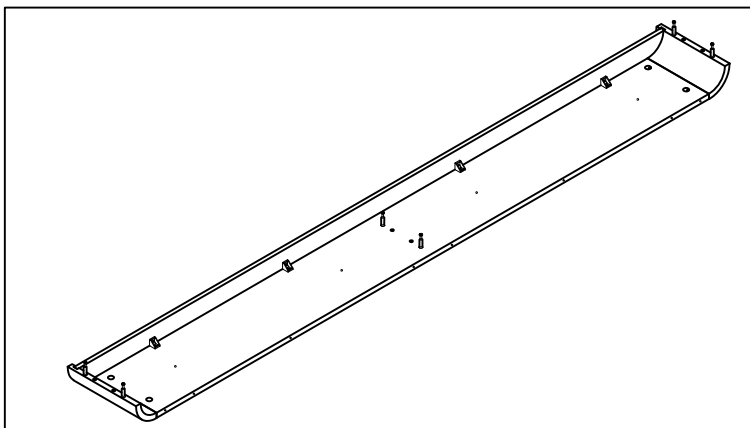
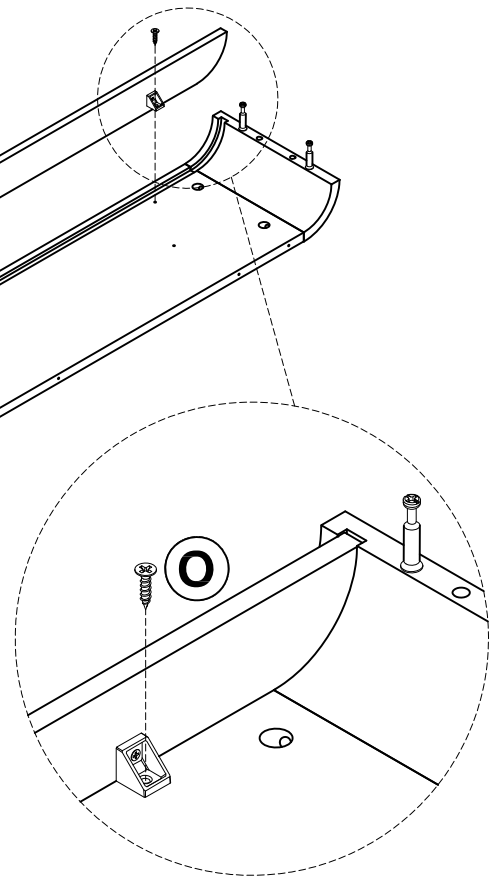
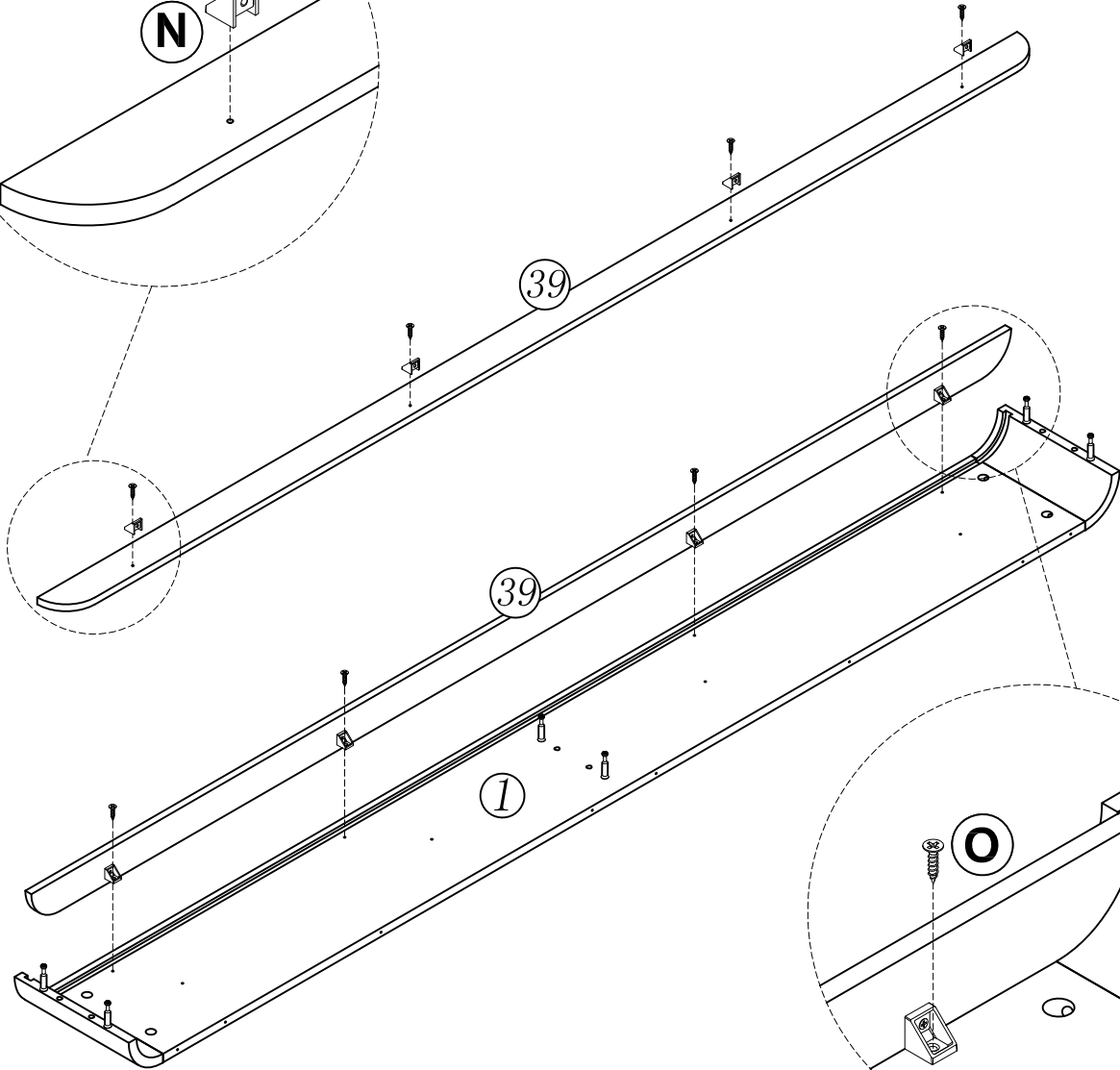
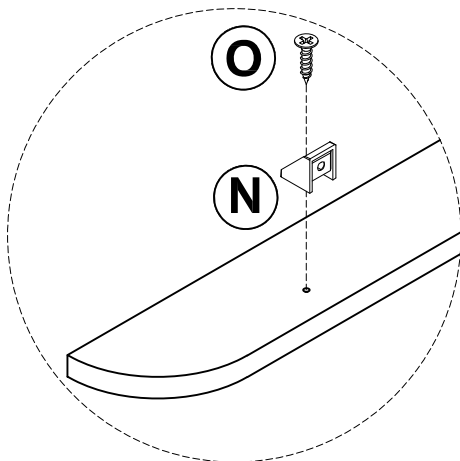
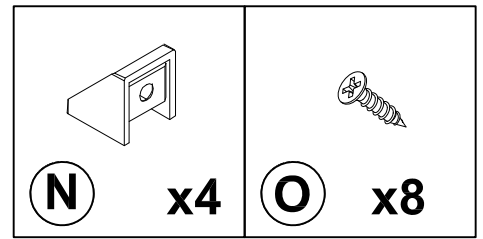
STEP 11



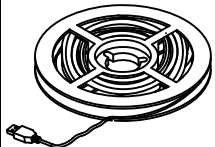
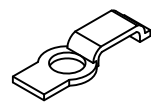

STEP 12

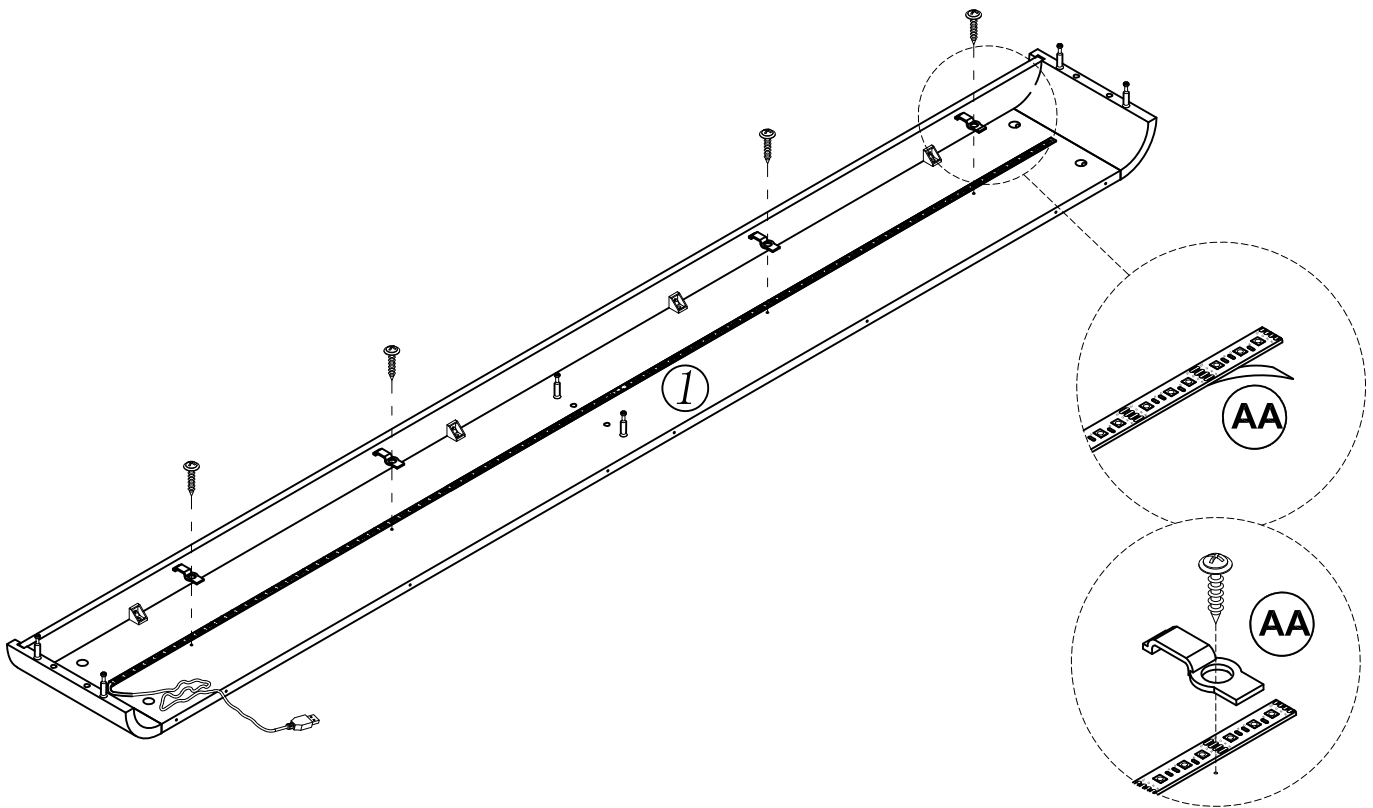


STEP 13

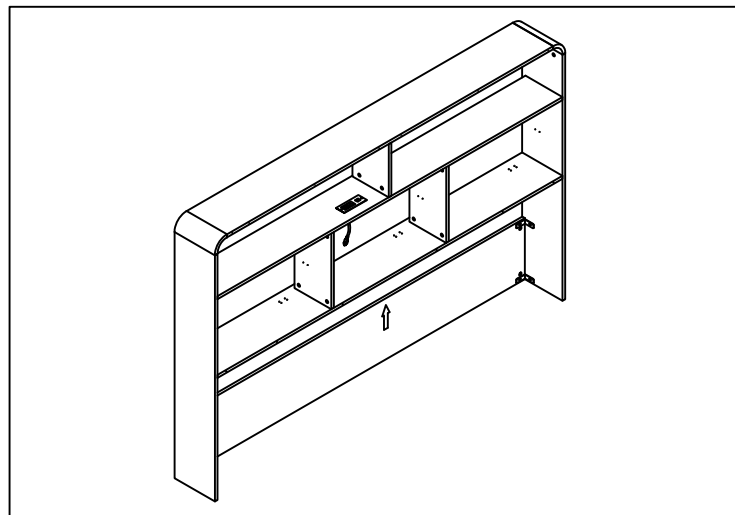
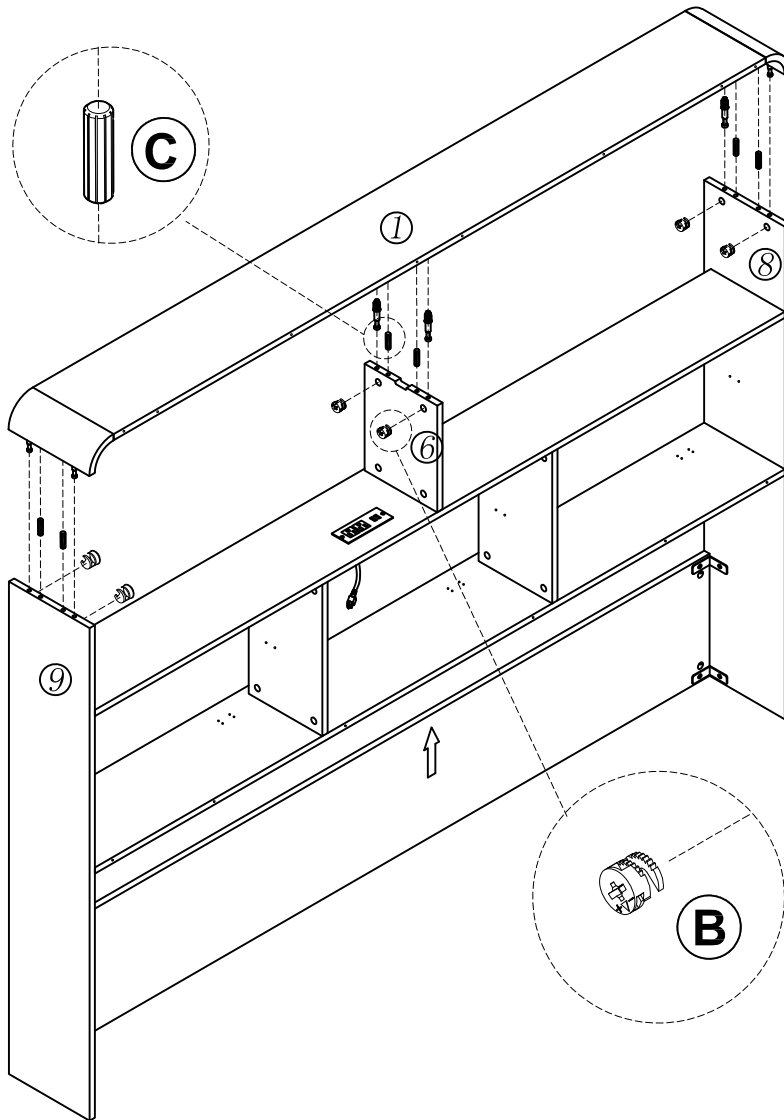
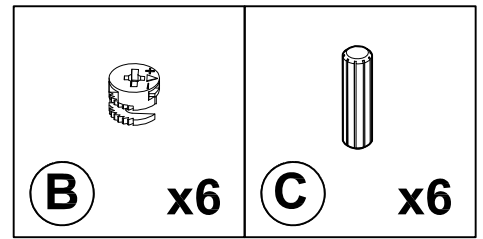


STEP 14

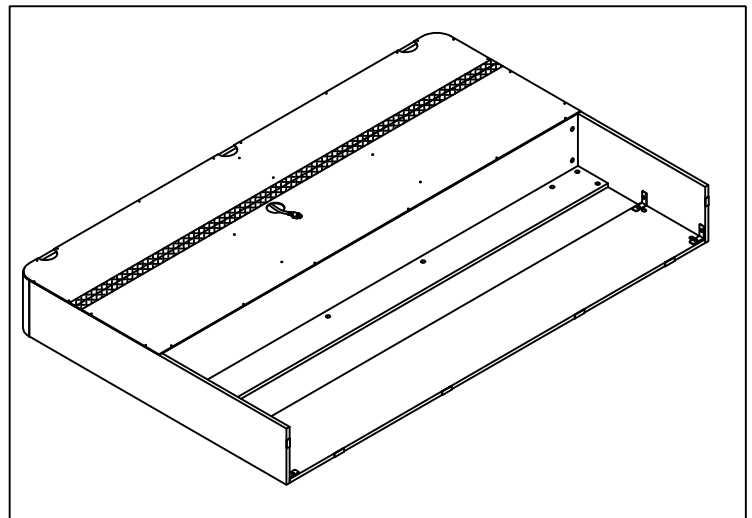
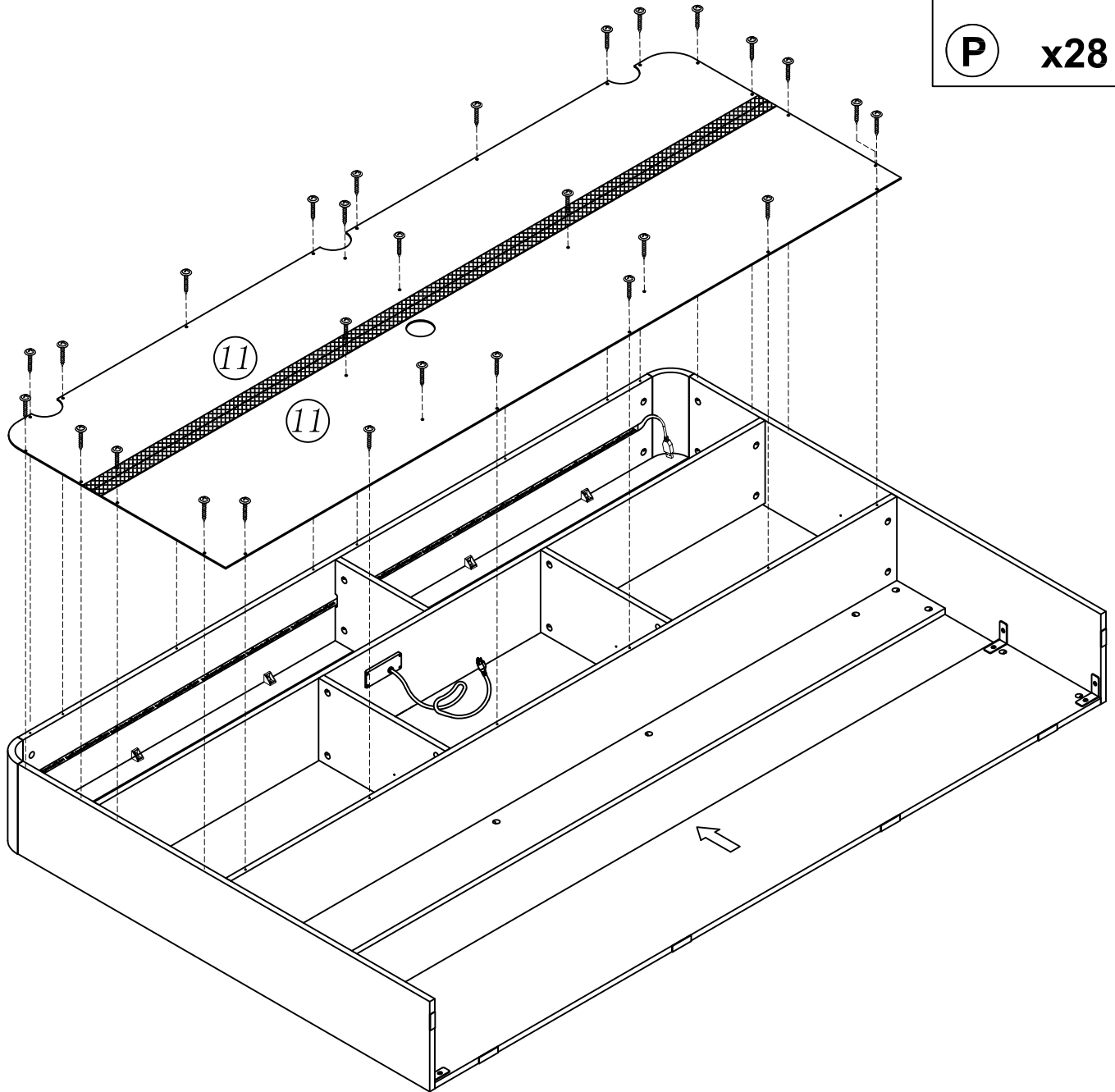
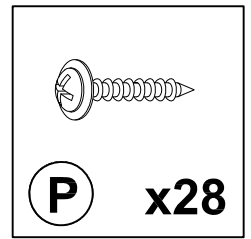
 1x	 4x	 x4
AA		



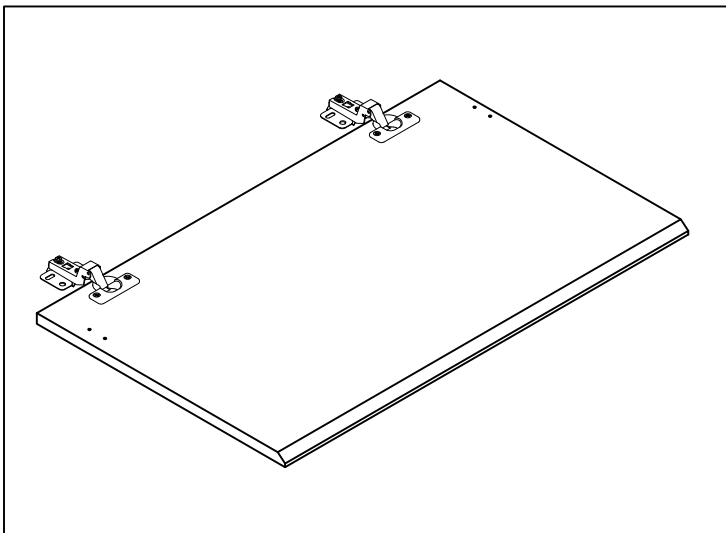
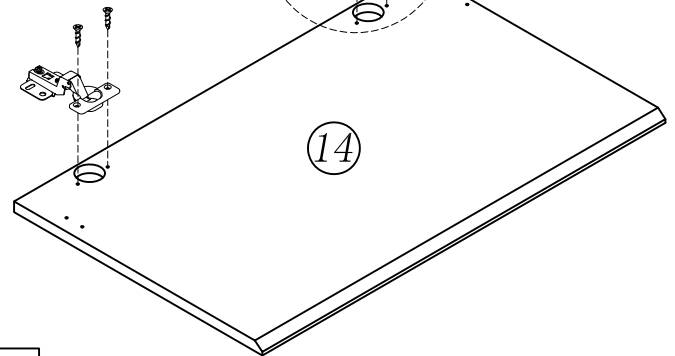
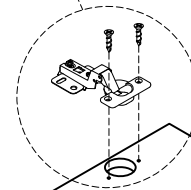
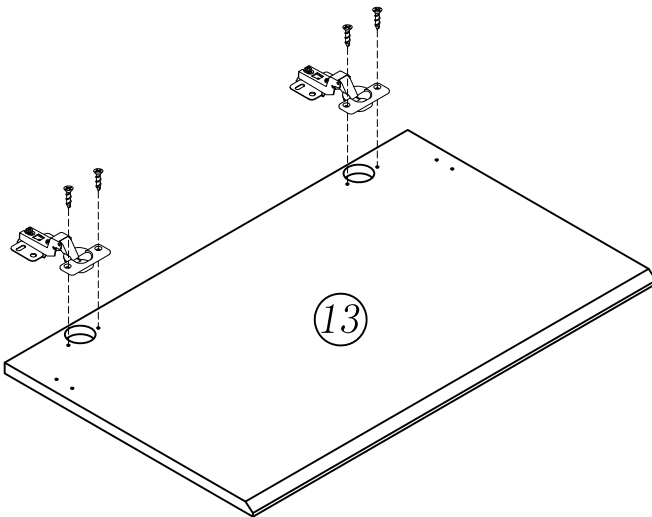
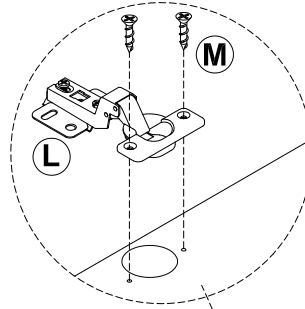
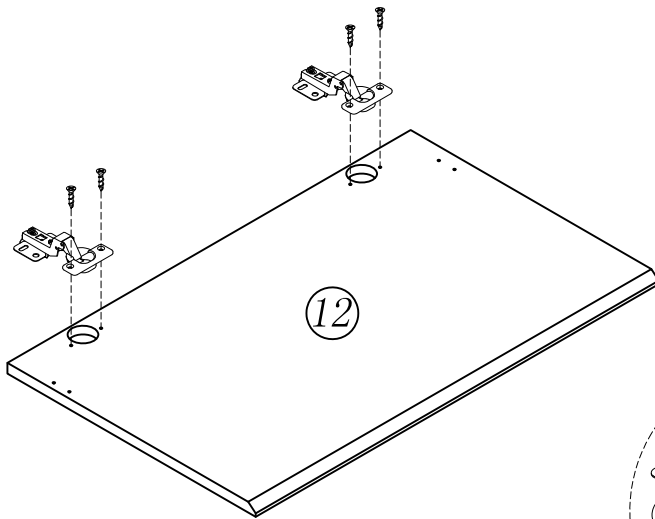
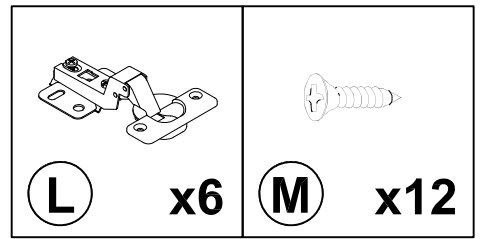
STEP 15



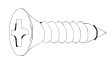

STEP 16

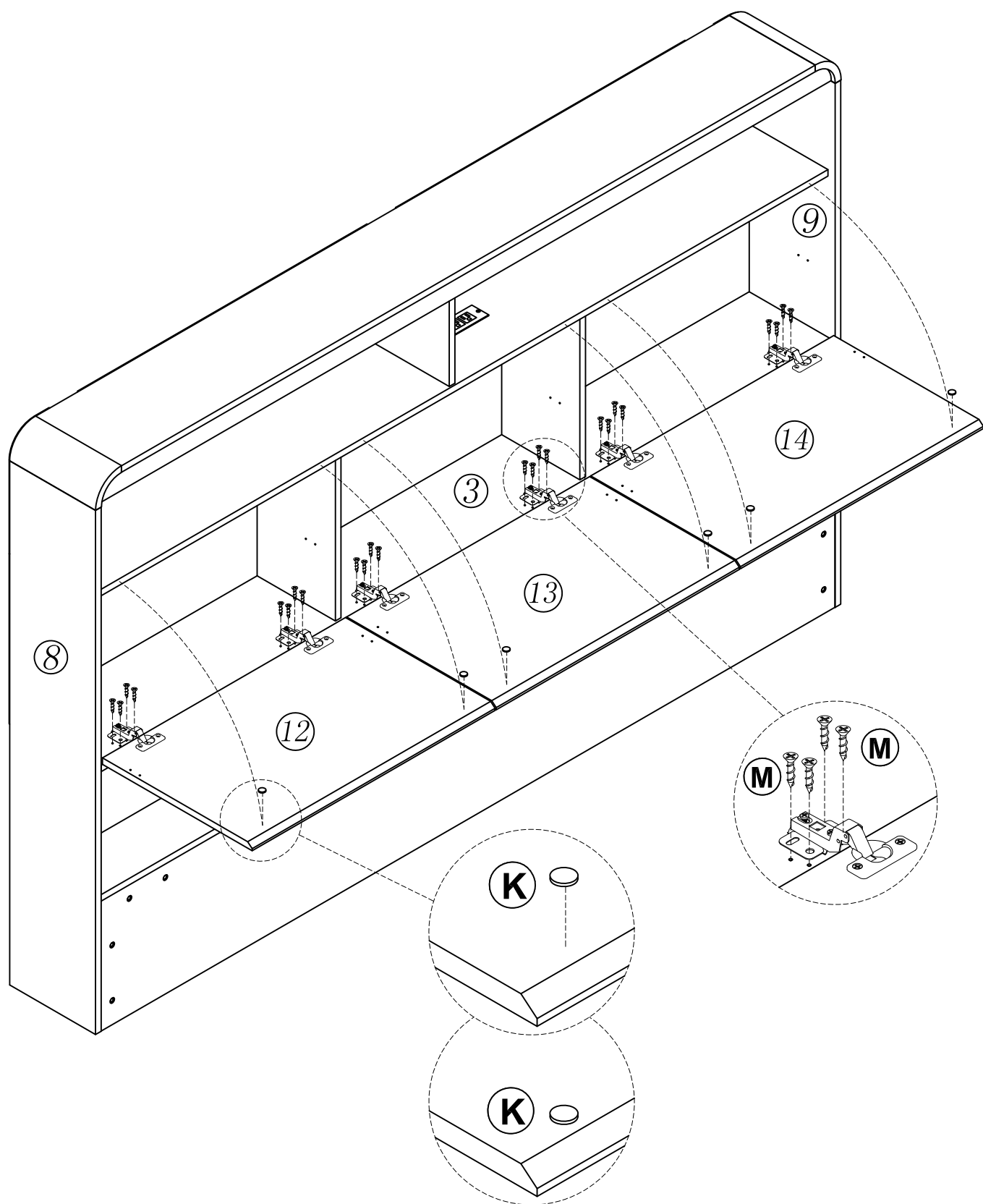


STEP 17

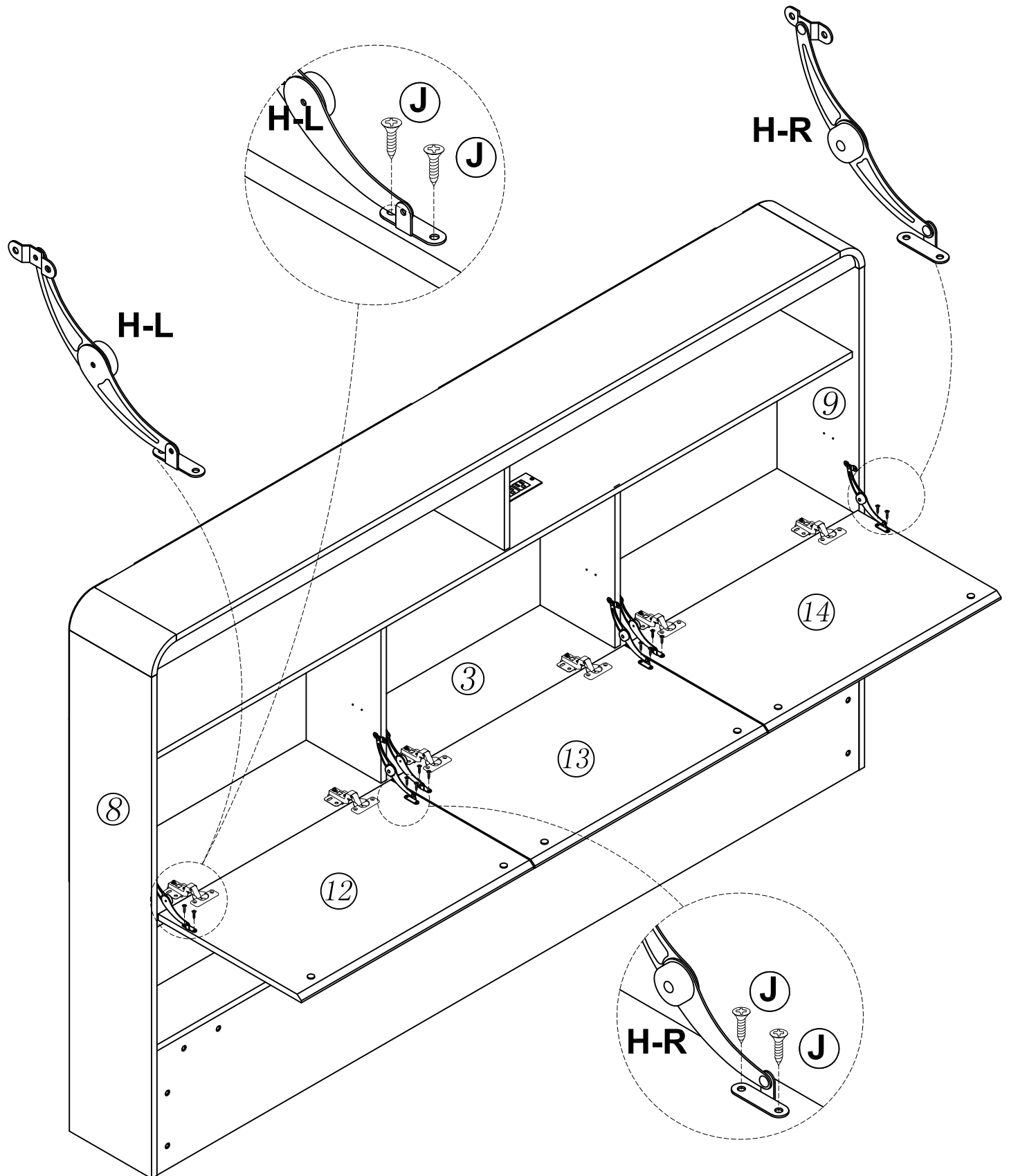
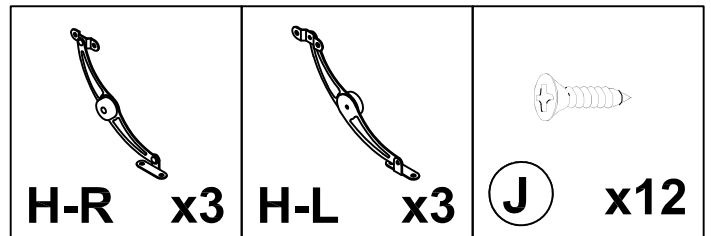


STEP 18

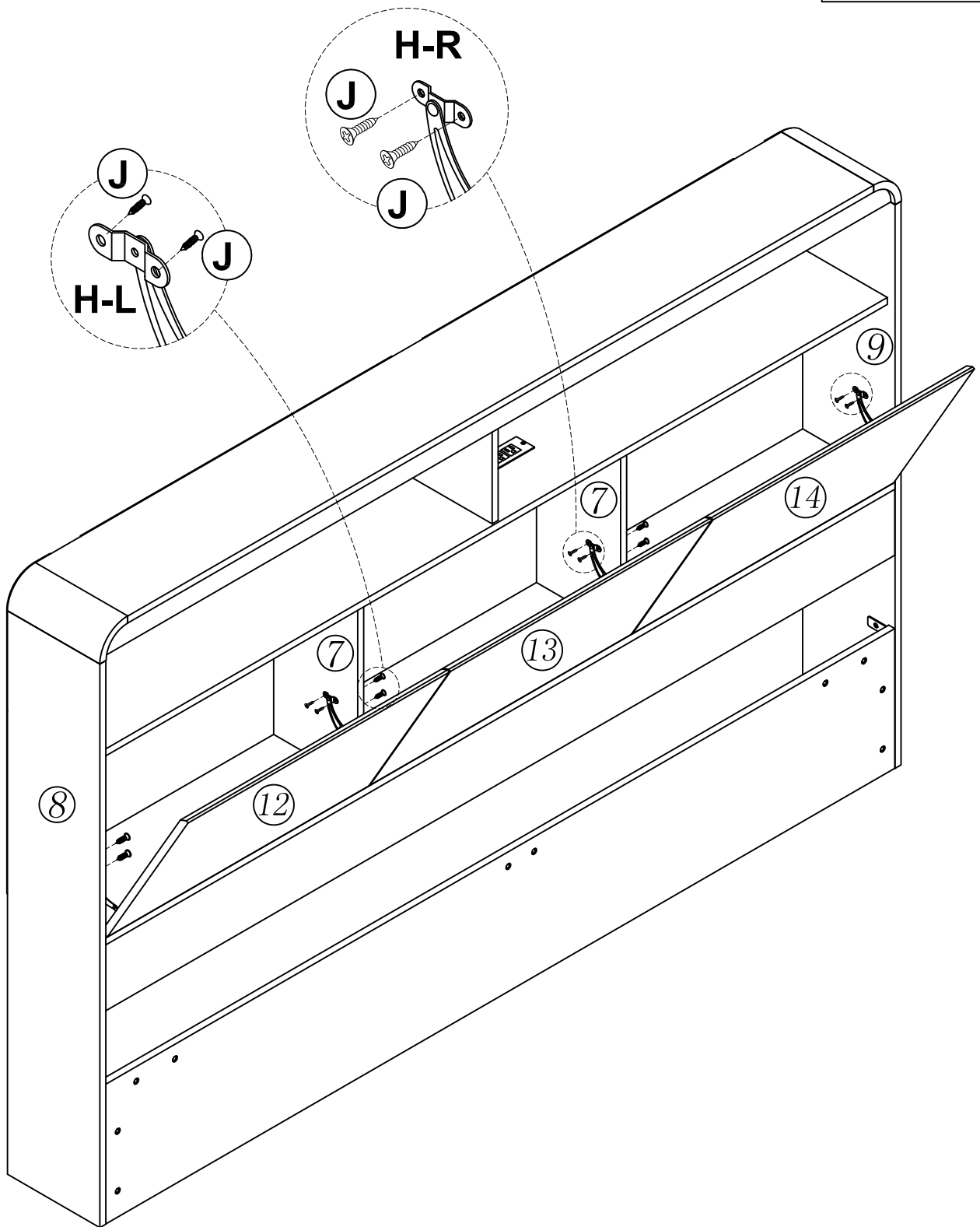
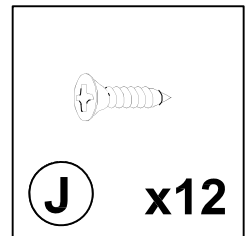
	
(M) x24	(K) x6



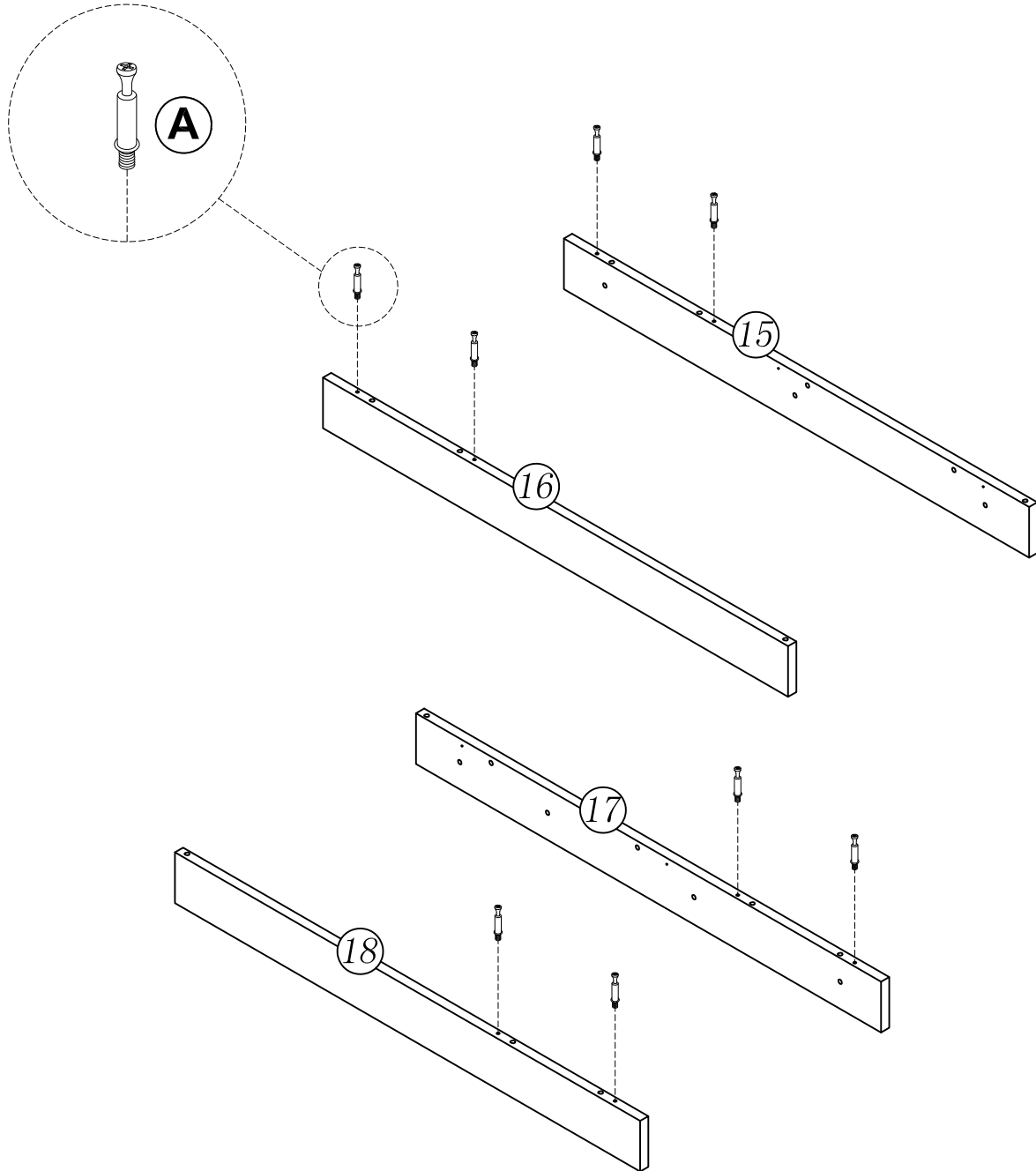
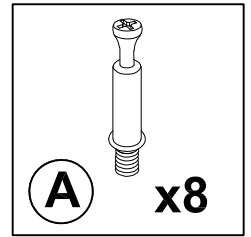
STEP 19



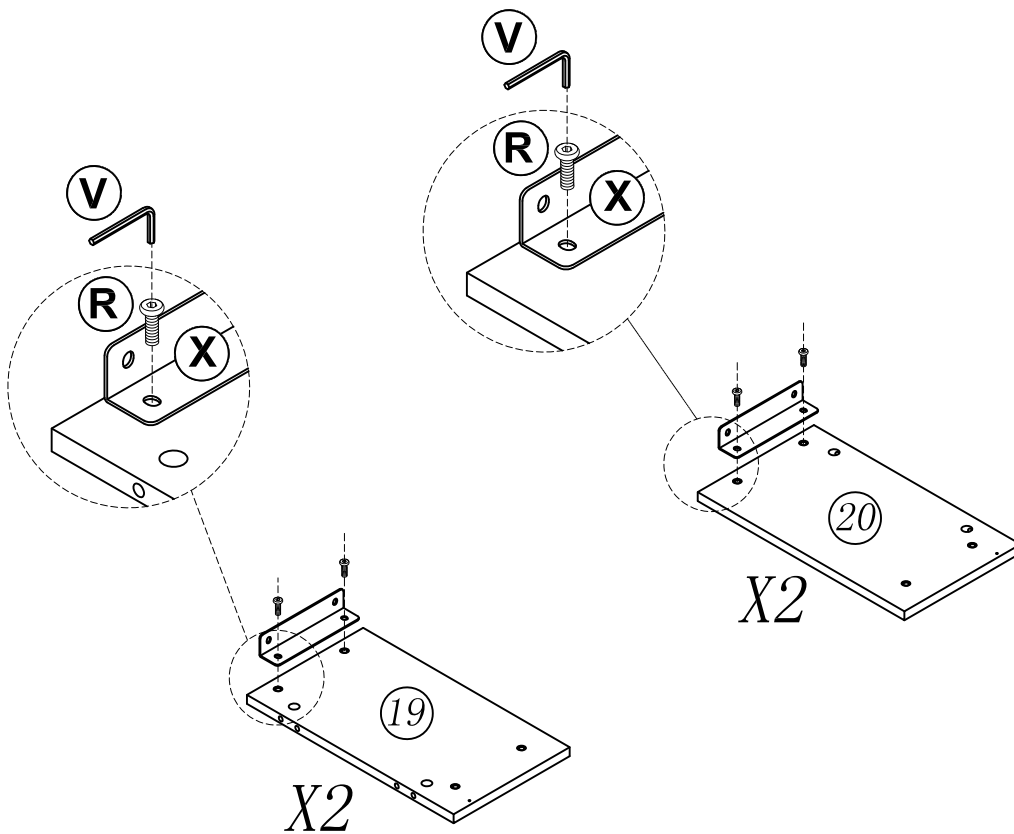
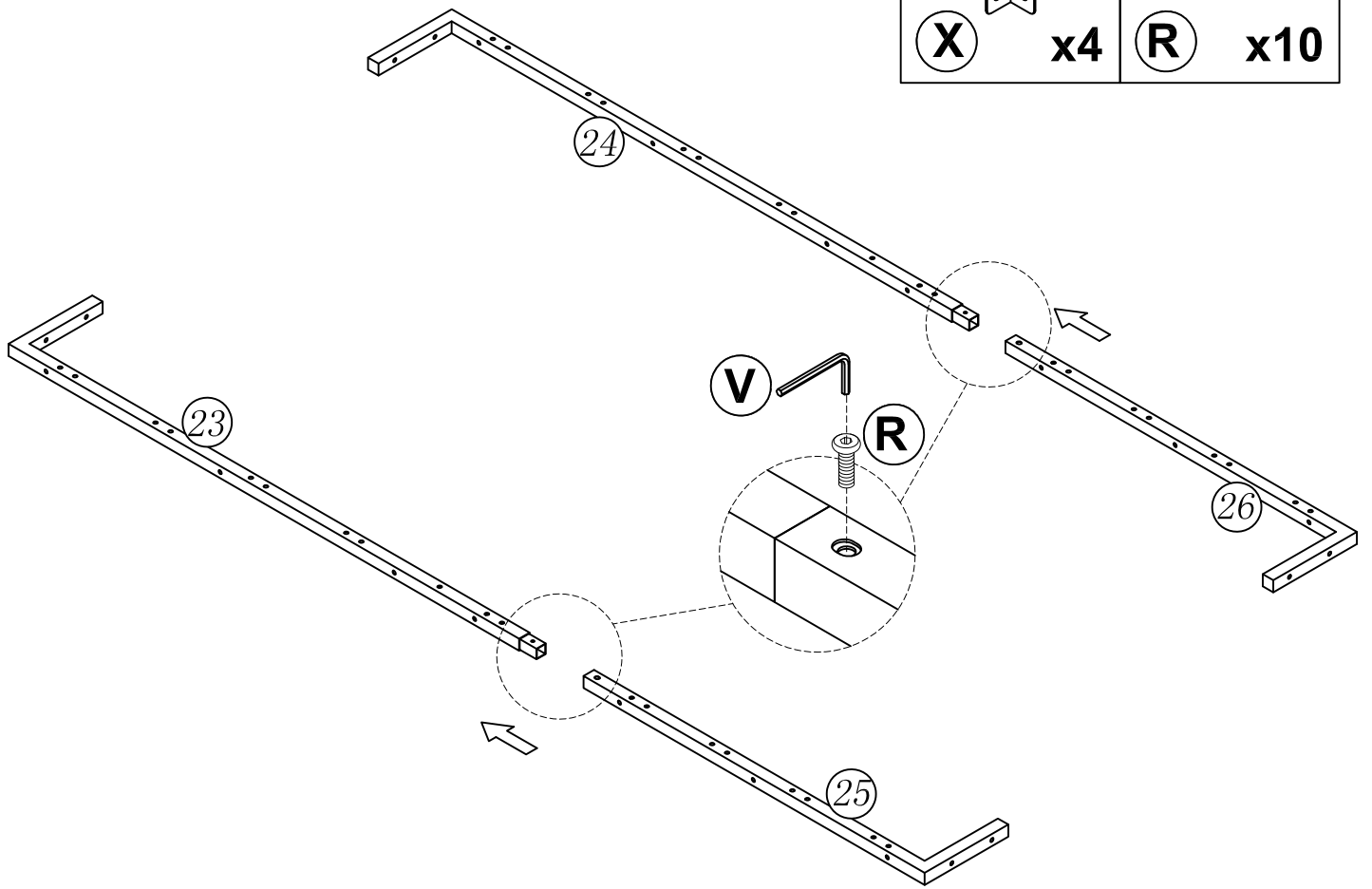
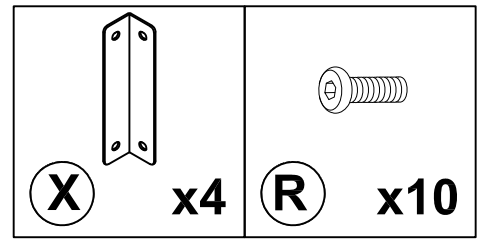
STEP 20



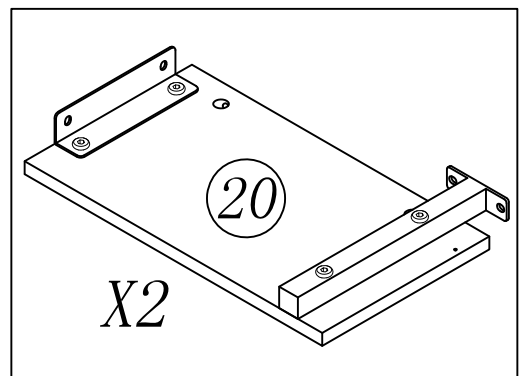
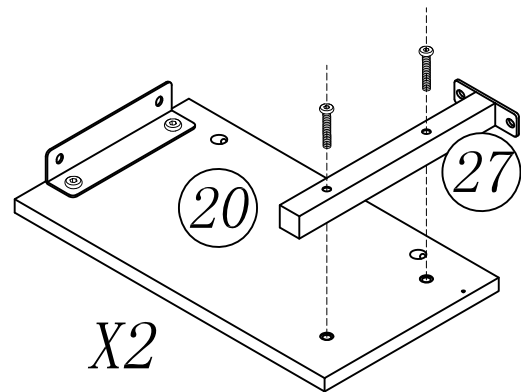
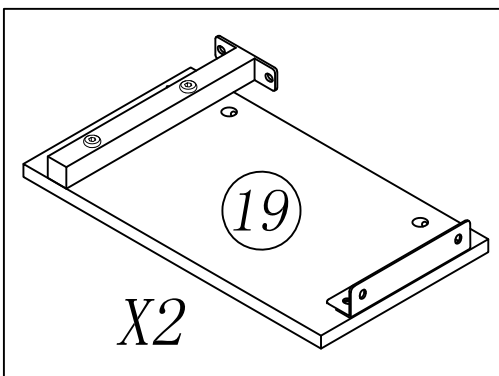
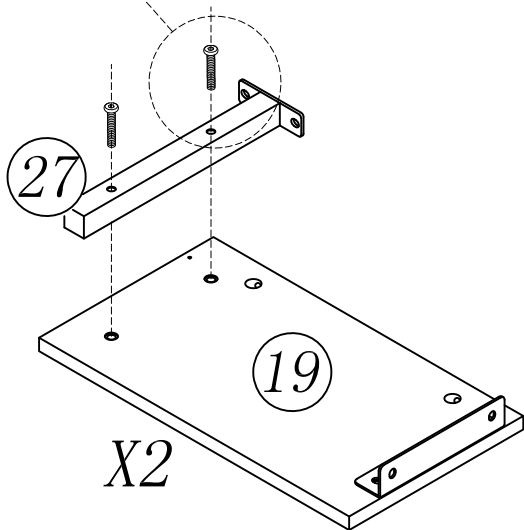
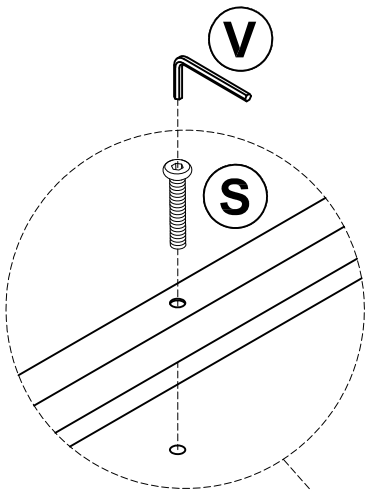
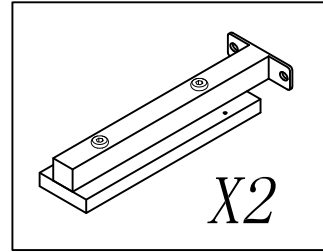
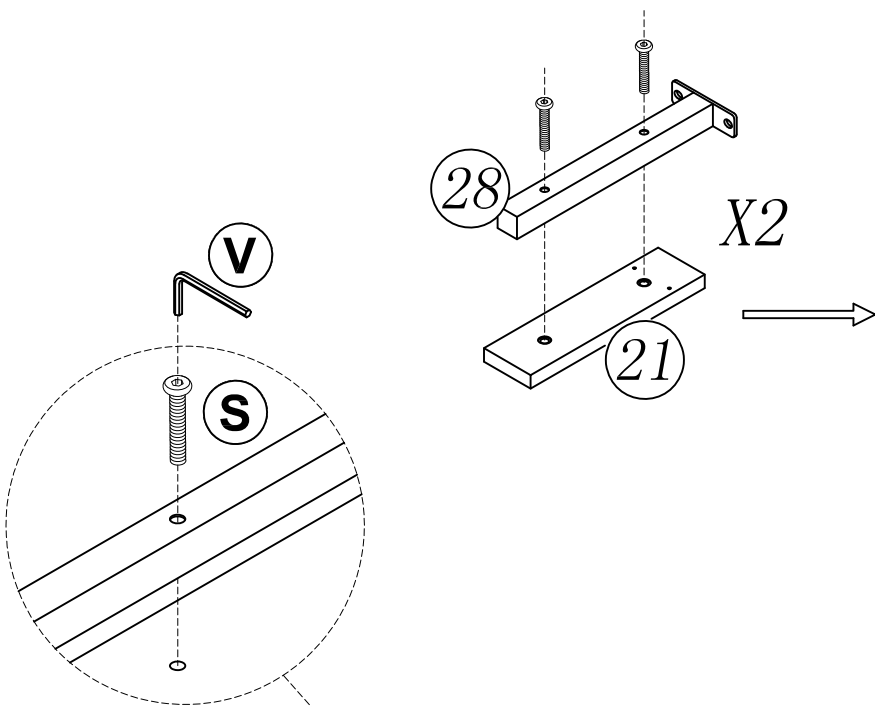
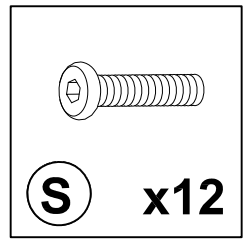
STEP 21



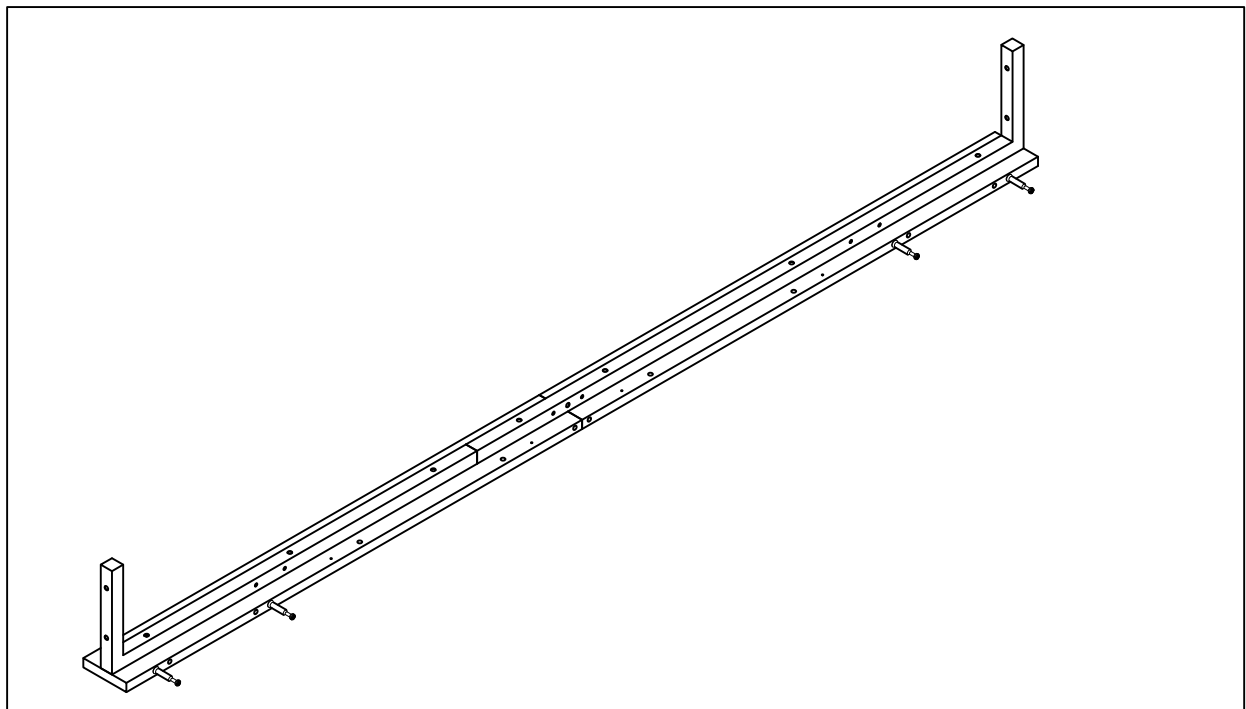
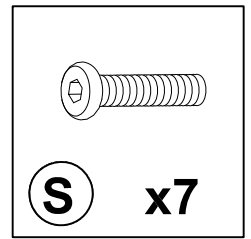
STEP 22



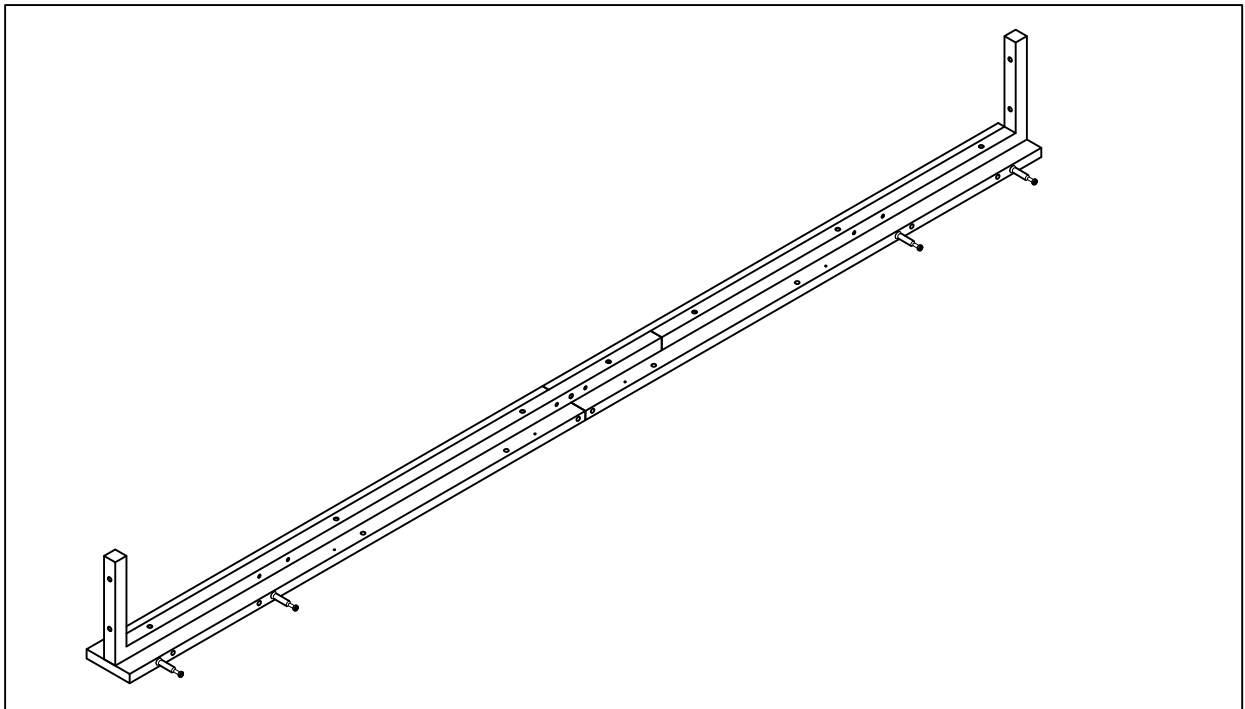
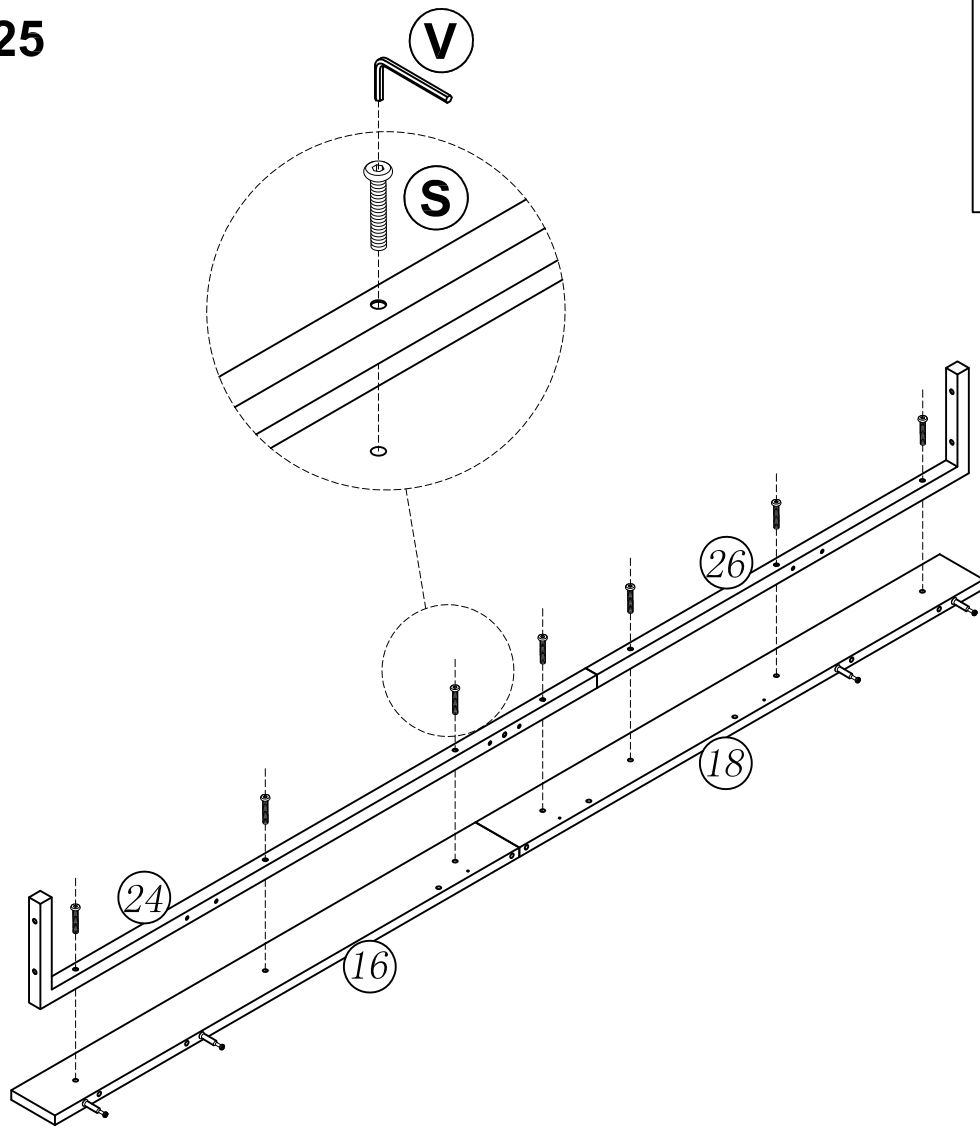
STEP 23



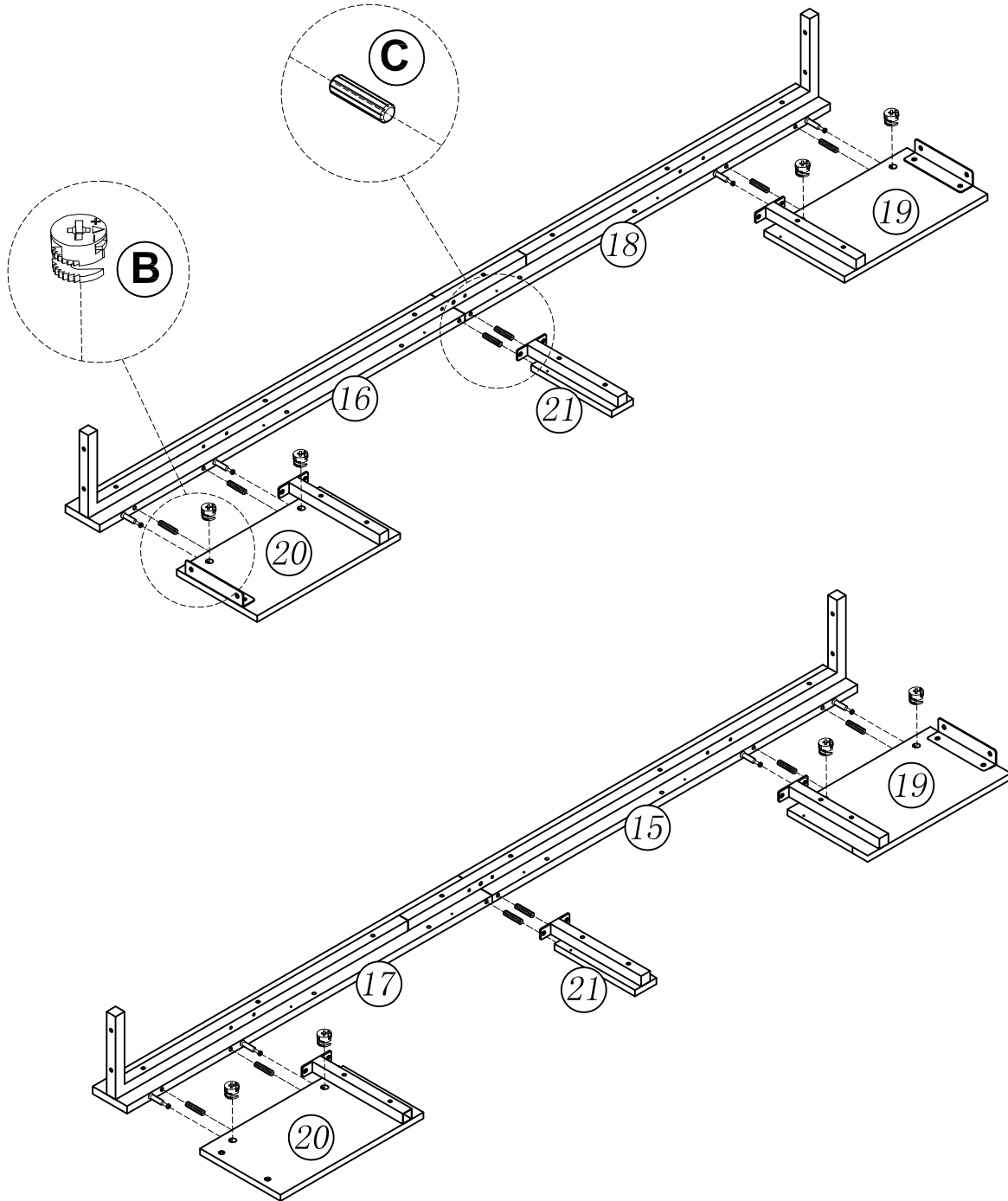
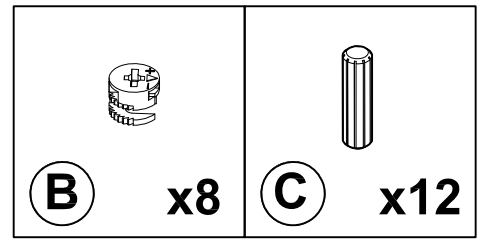
STEP 24



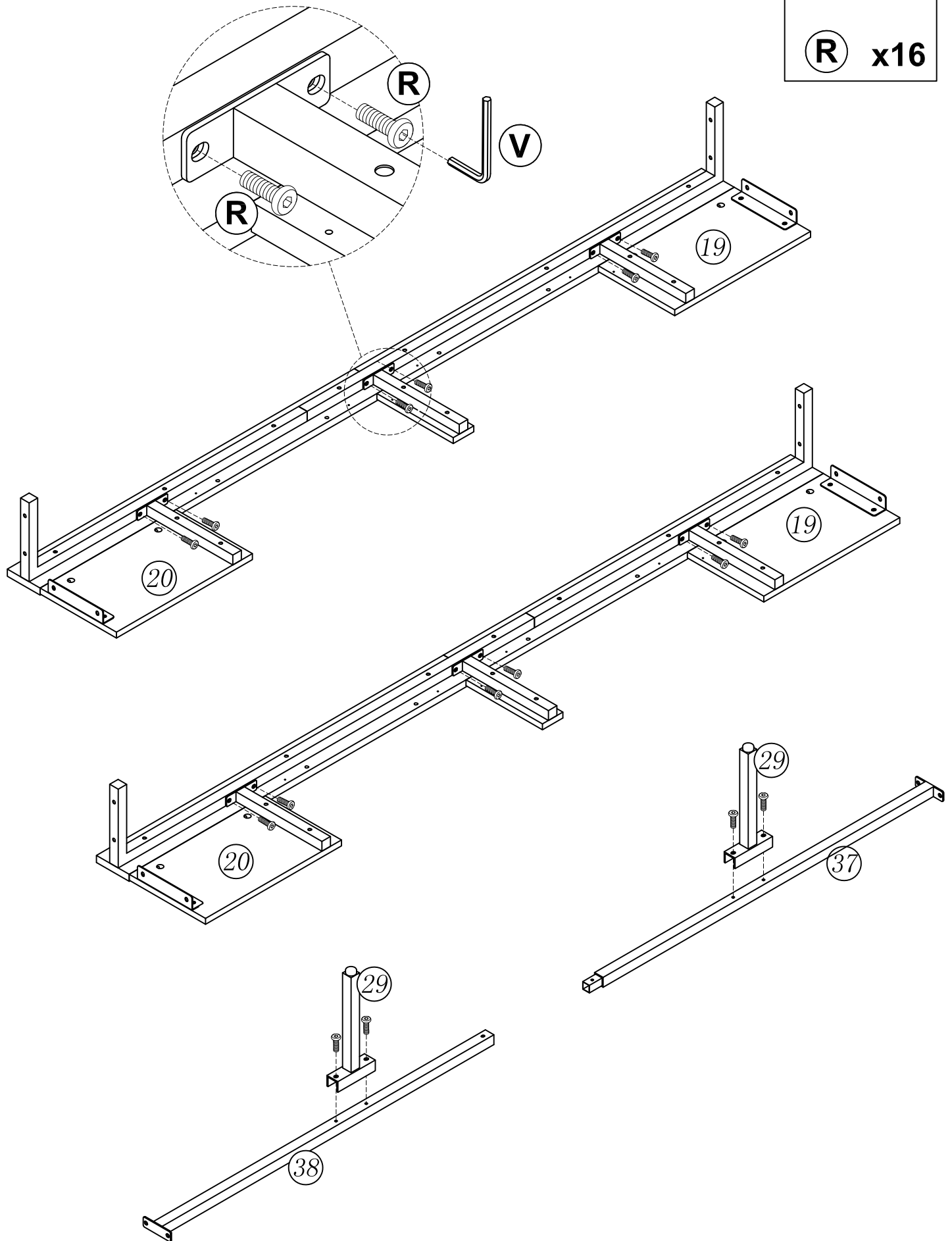
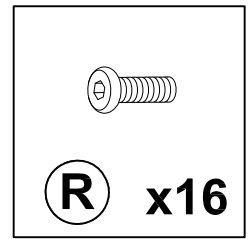
STEP 25



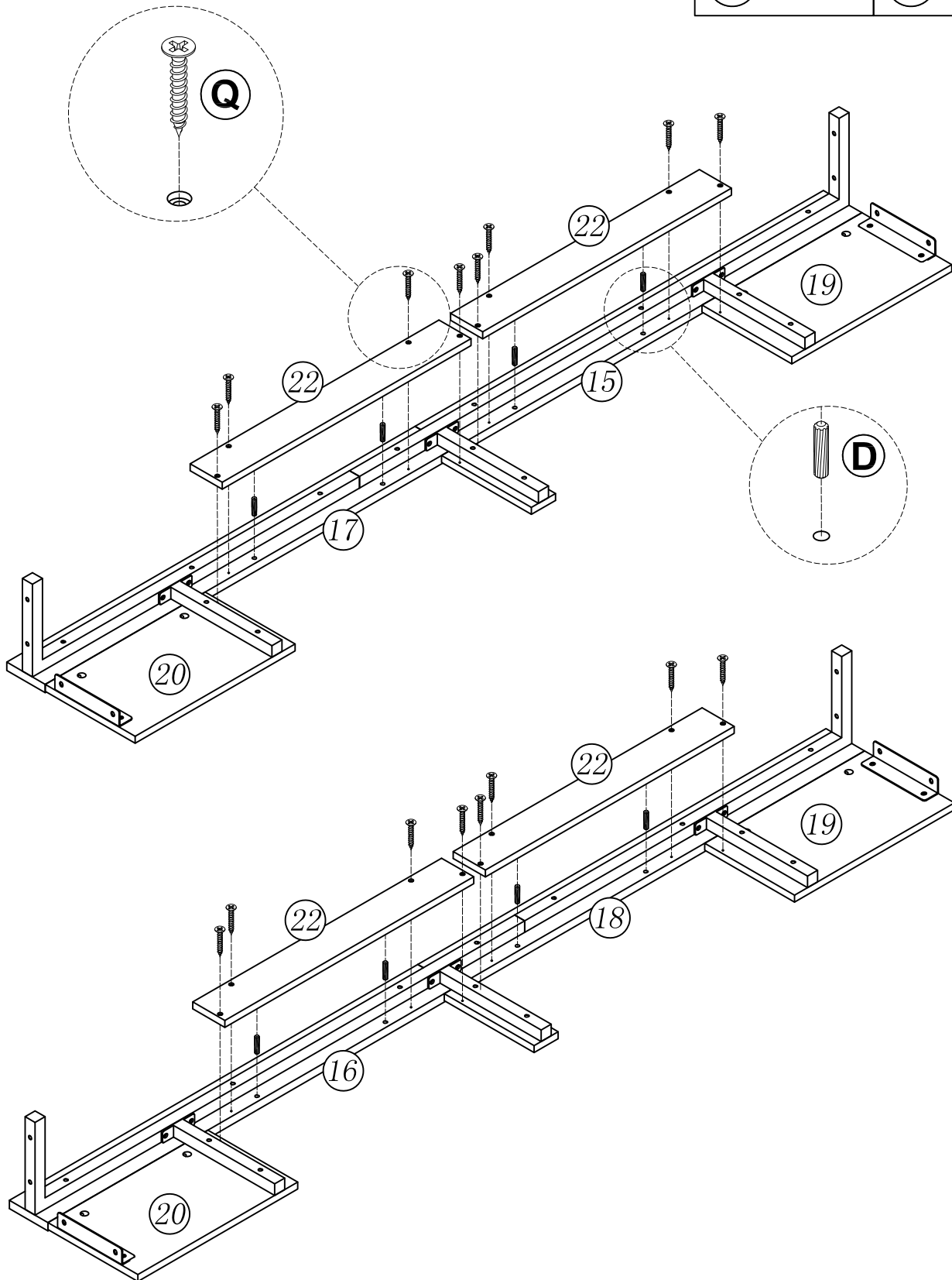
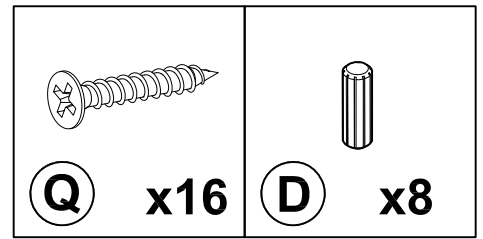
STEP 26



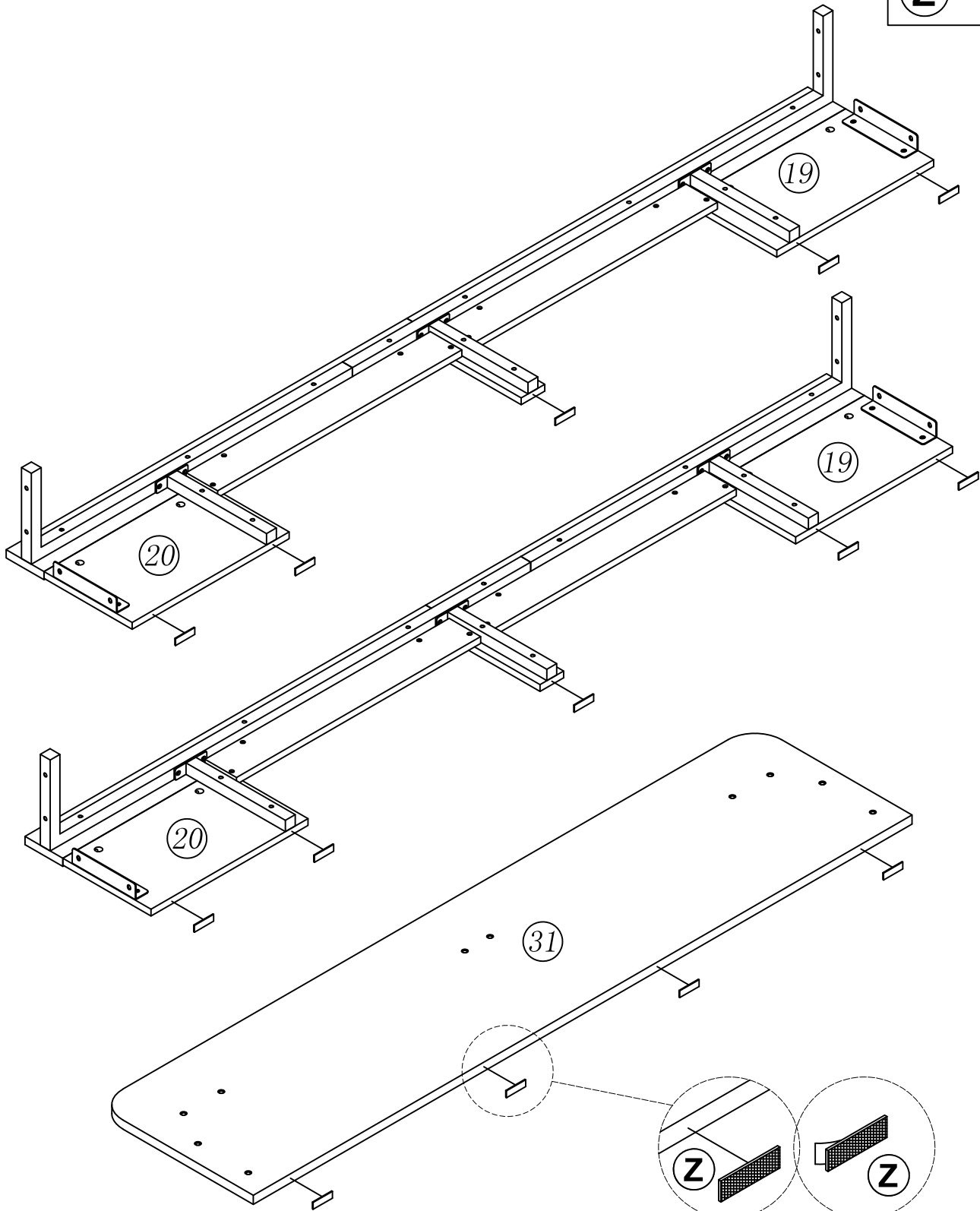
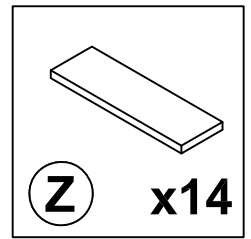
STEP 27



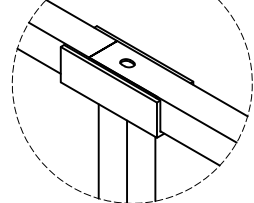
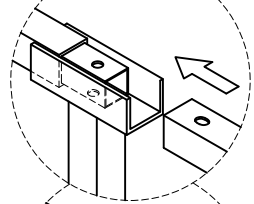
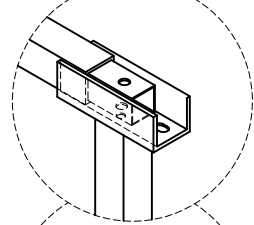
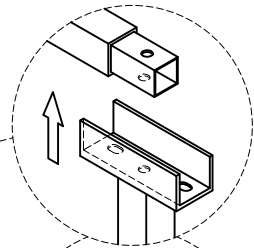
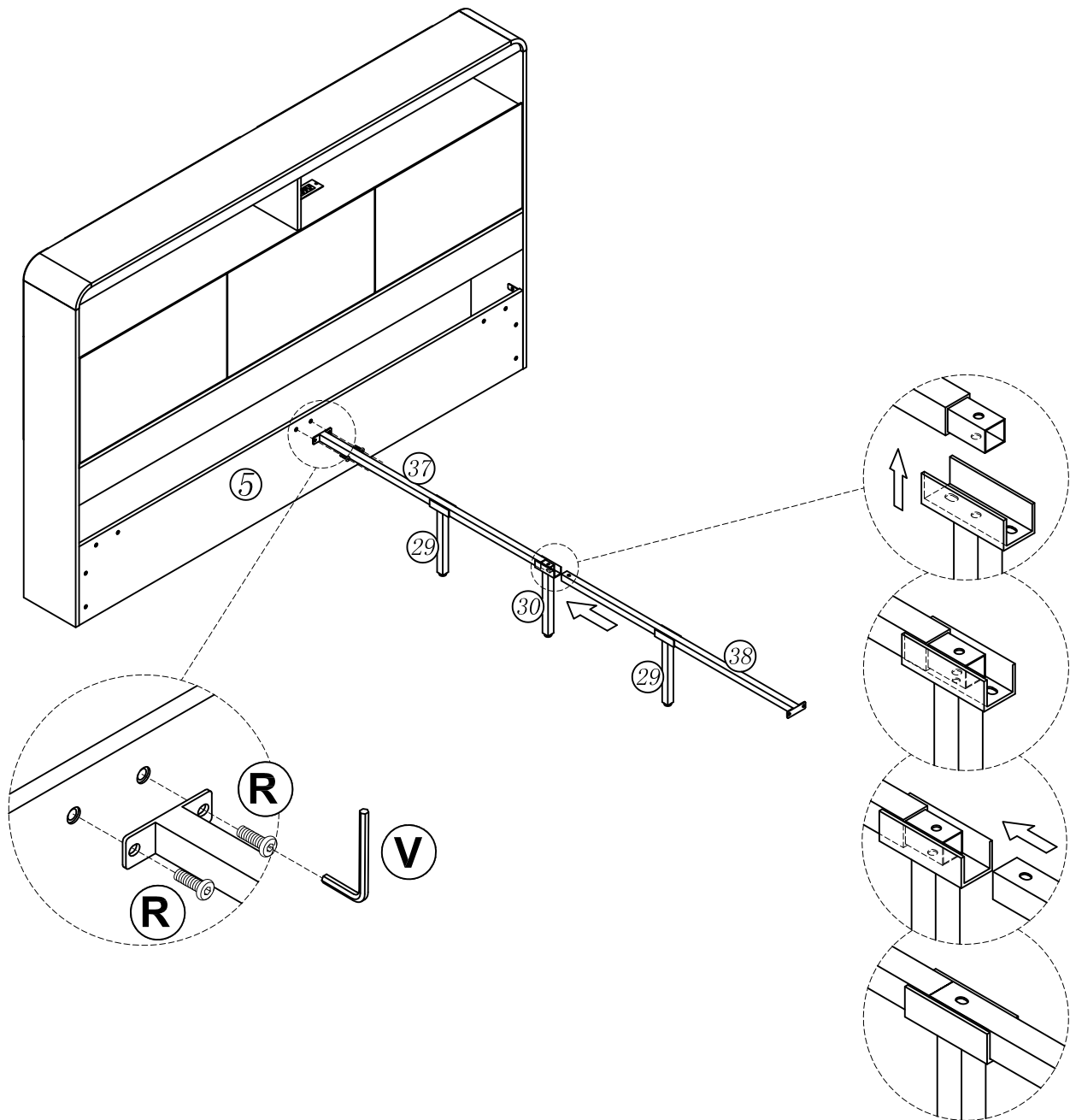
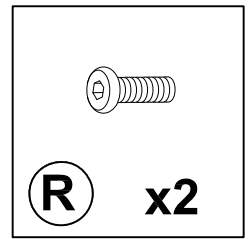
STEP 28



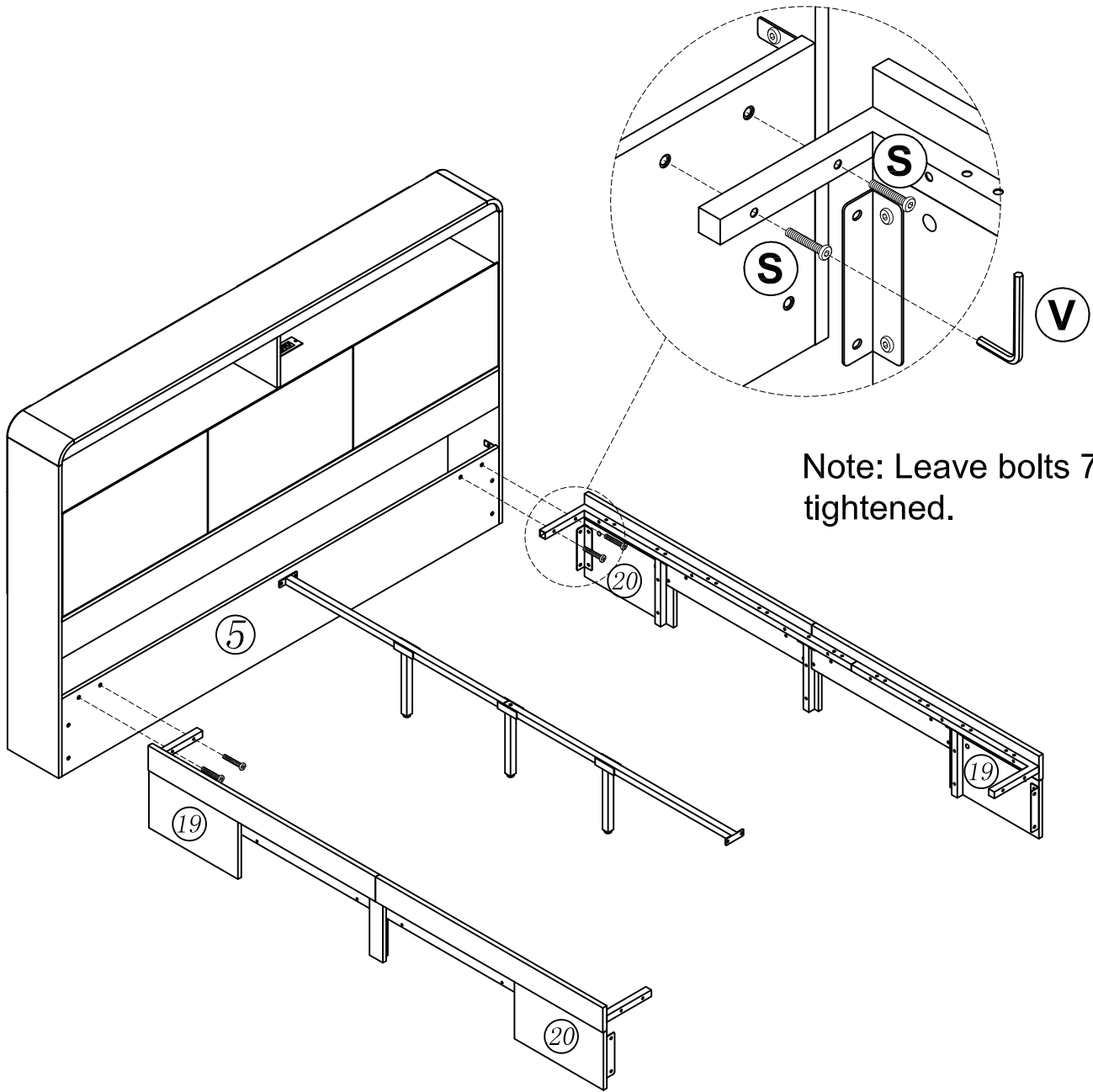
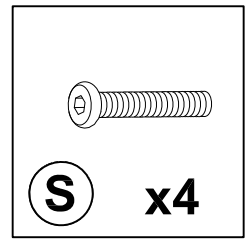
STEP 29



STEP 30

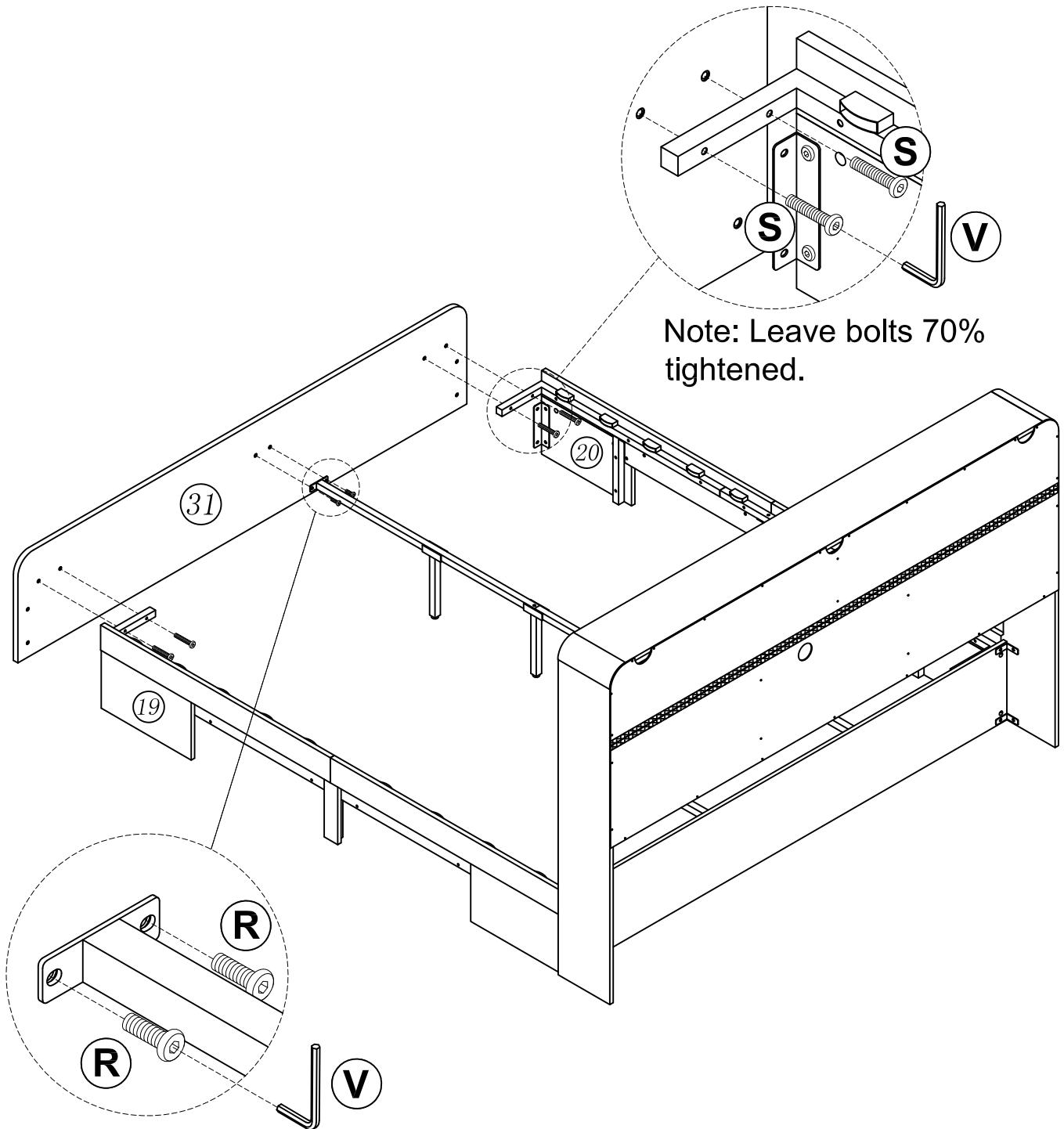
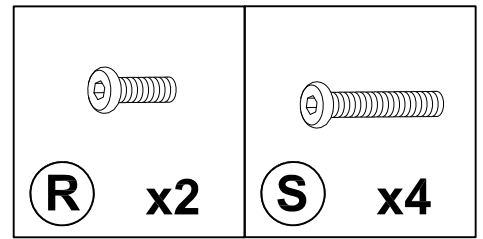


STEP 31

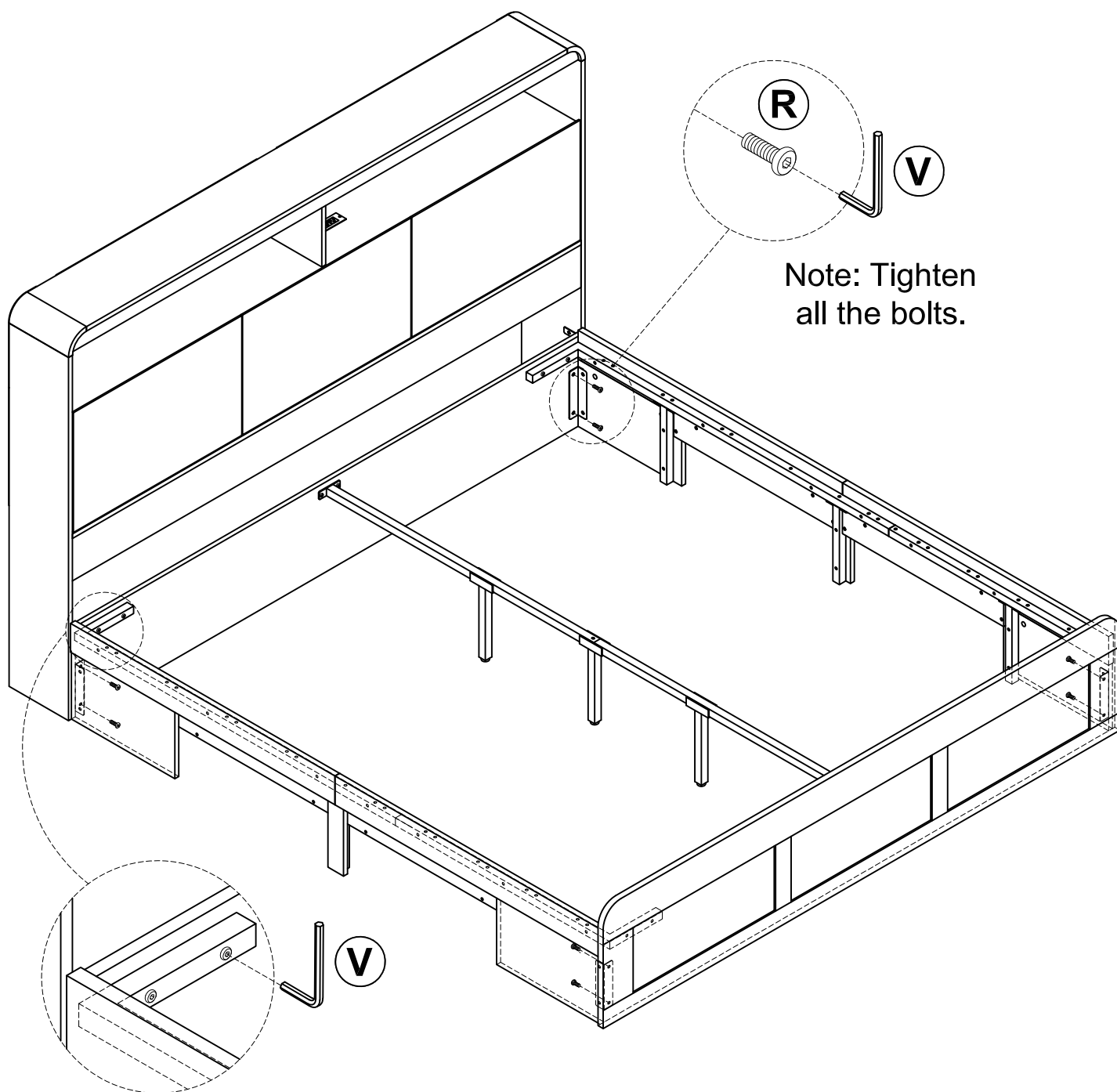
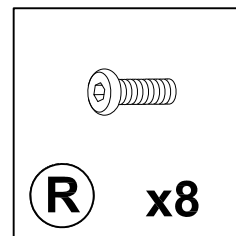


Note: Leave bolts 70% tightened.

STEP 32



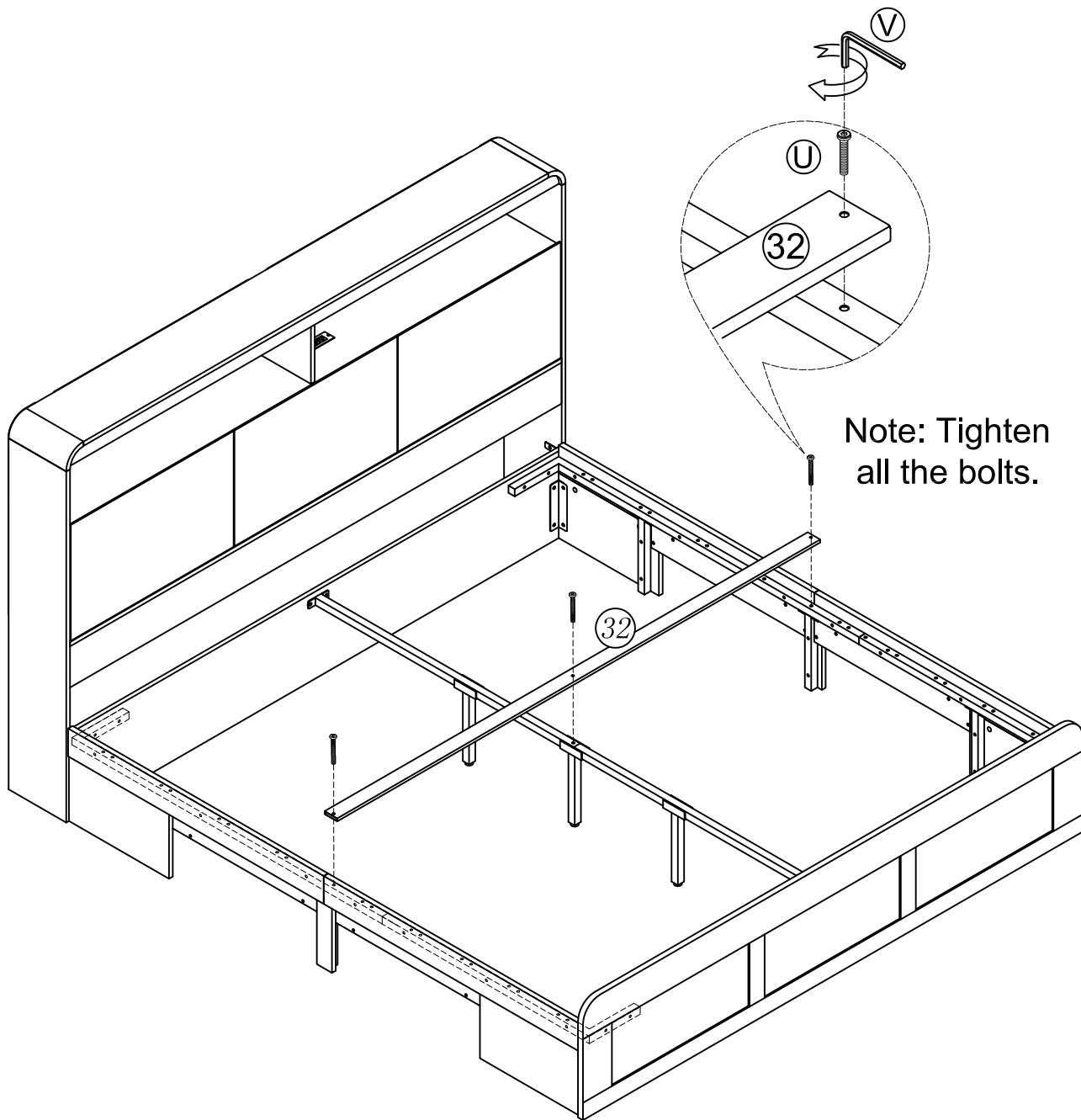
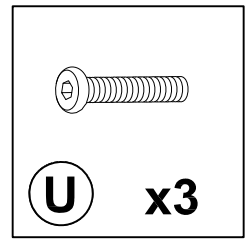
STEP 33



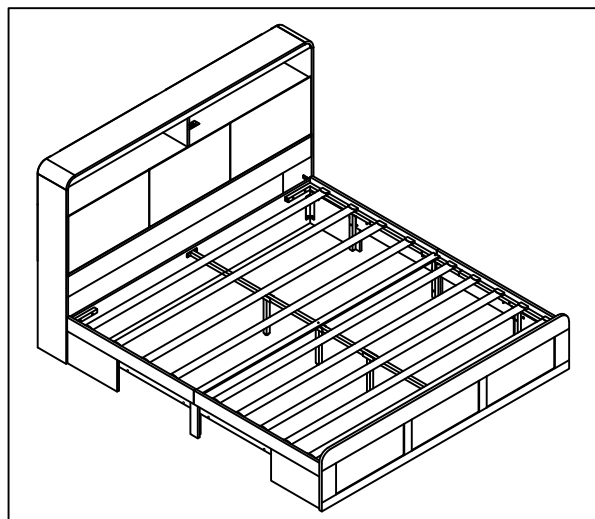
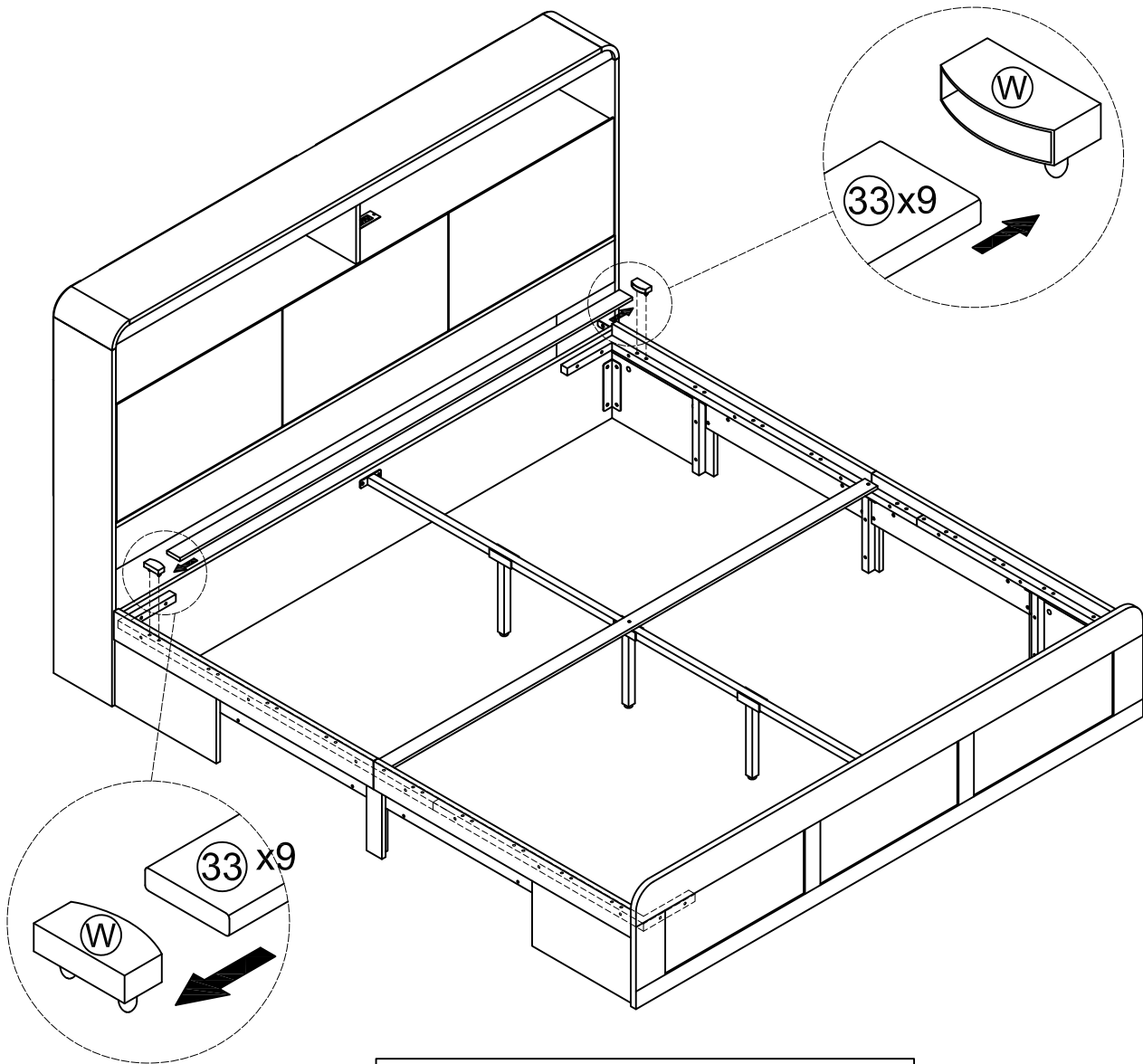
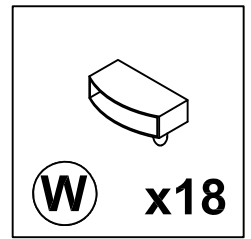
Note: Tighten all the bolts.

Note: Tighten all the bolts.

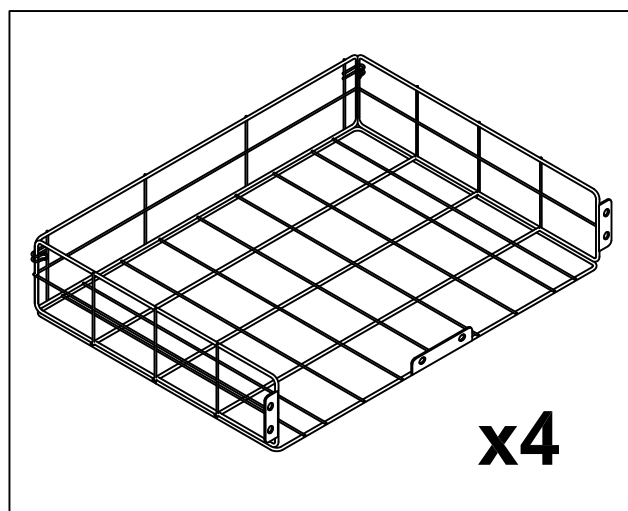
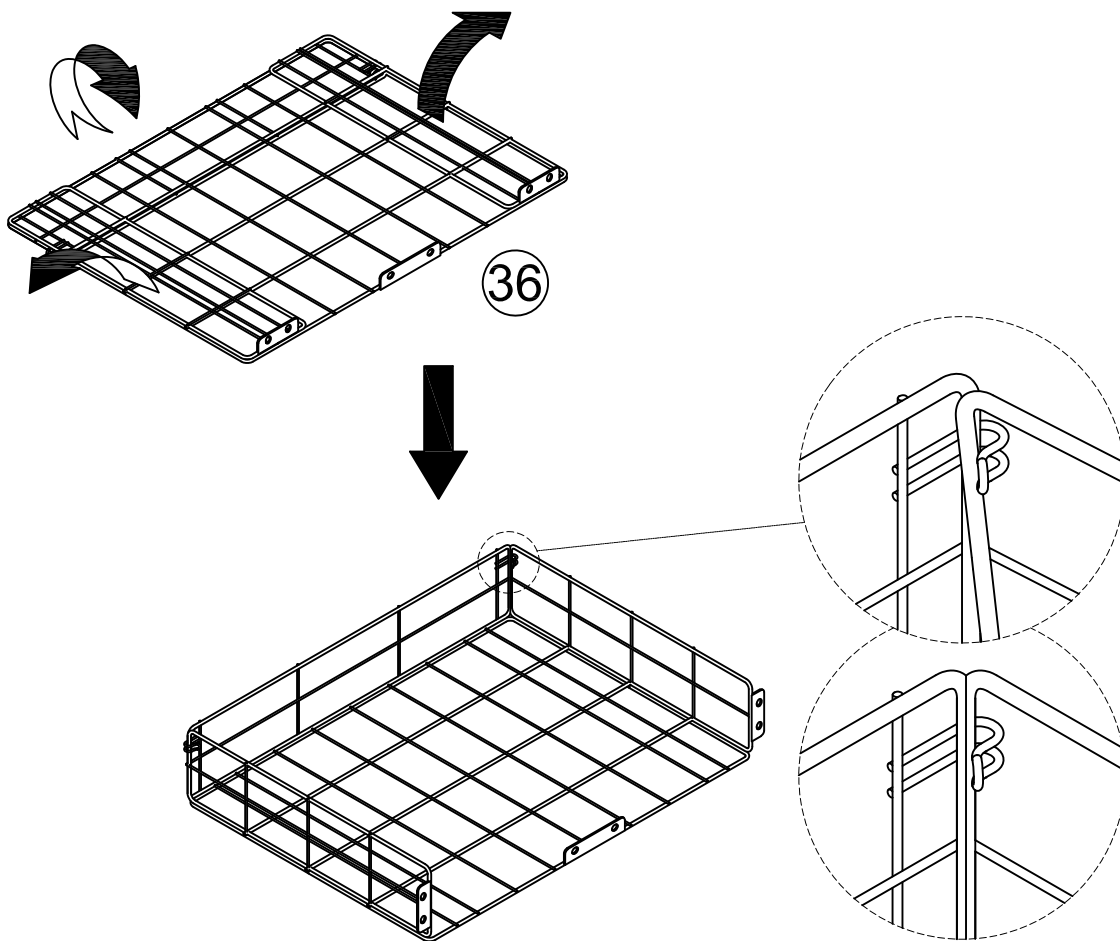
STEP 34



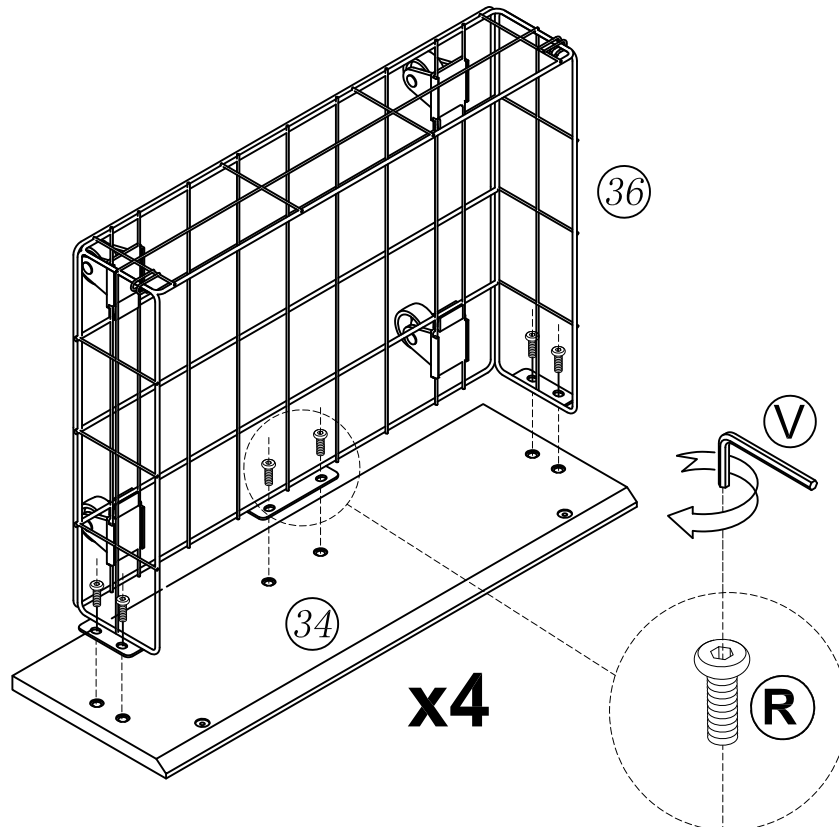
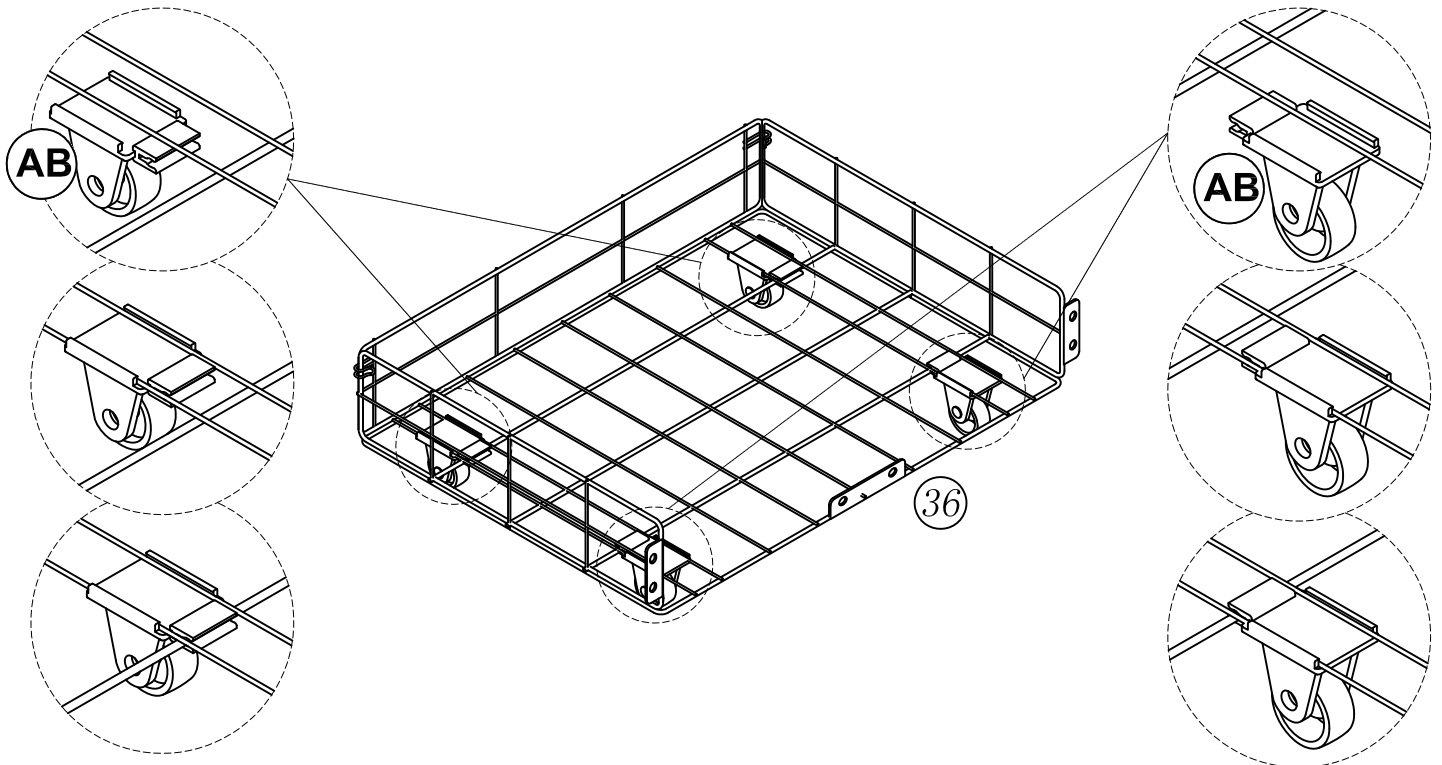
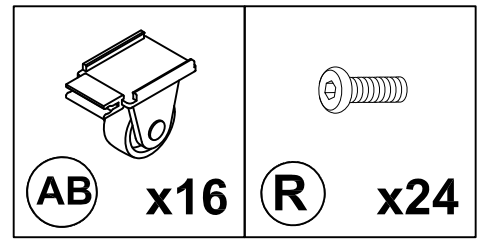
STEP 35



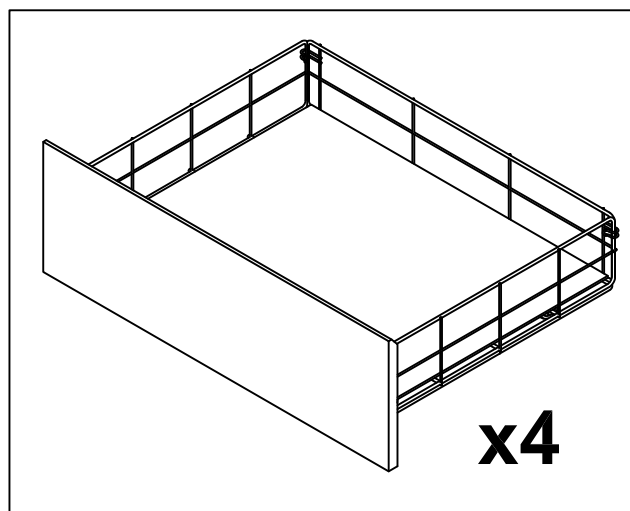
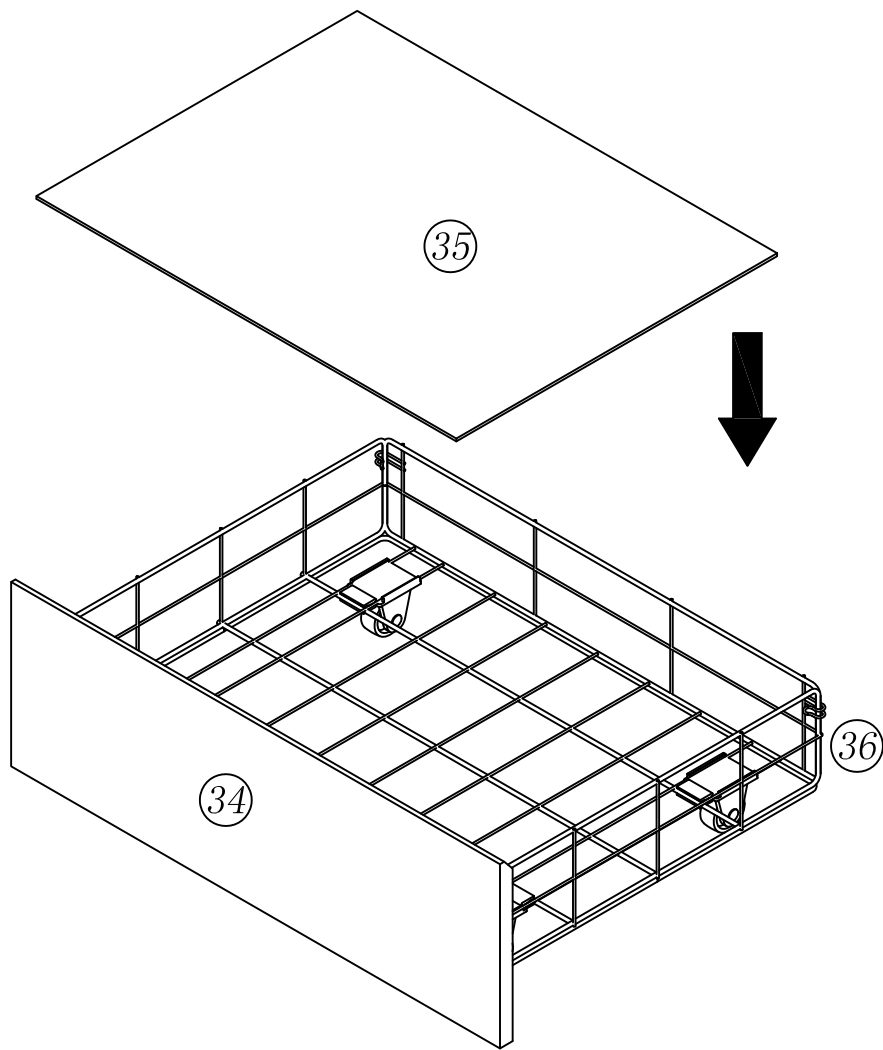
STEP 36



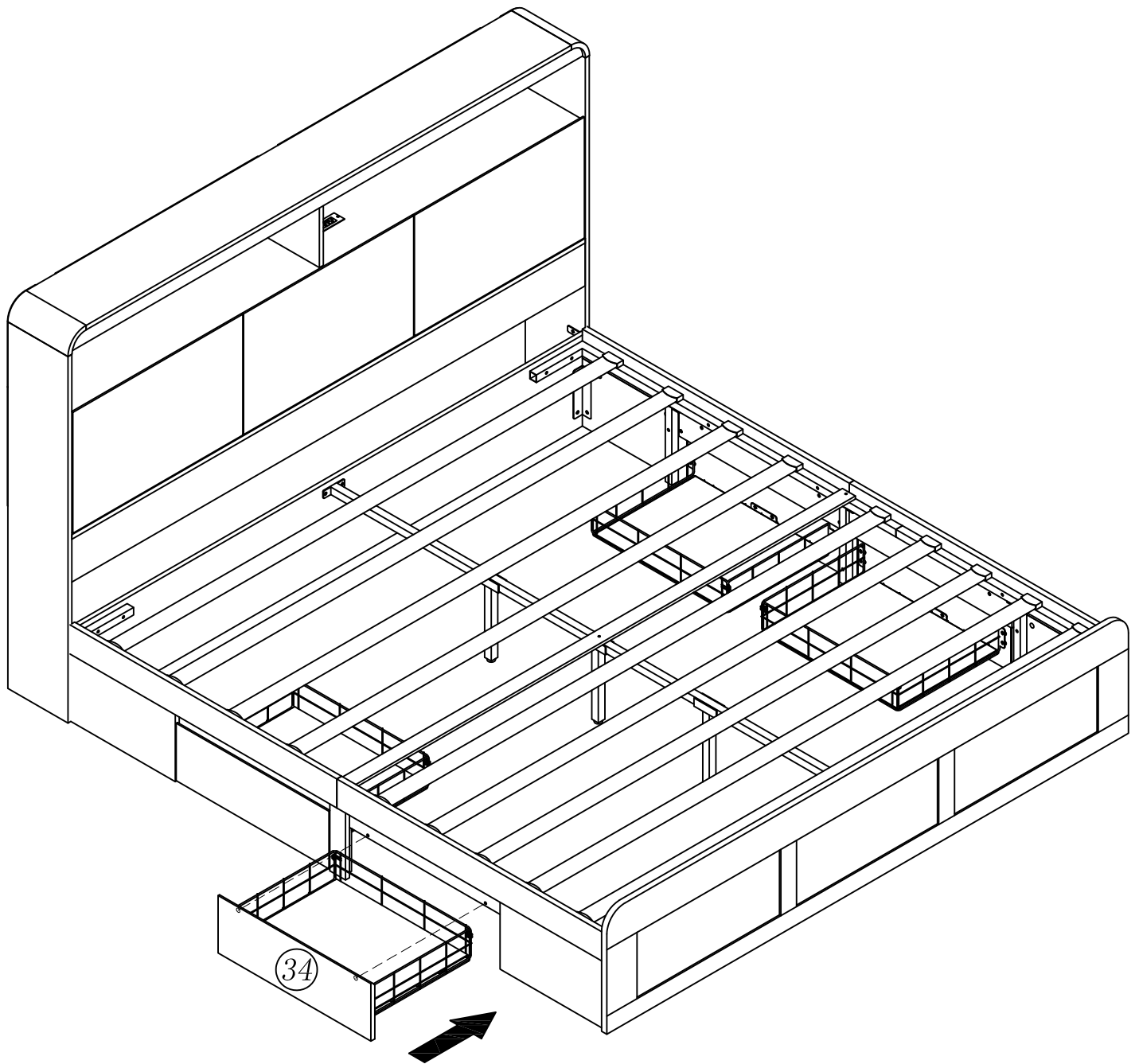
STEP 37



STEP 38



STEP 39



Align the suction iron on the
suction surface with the magnet