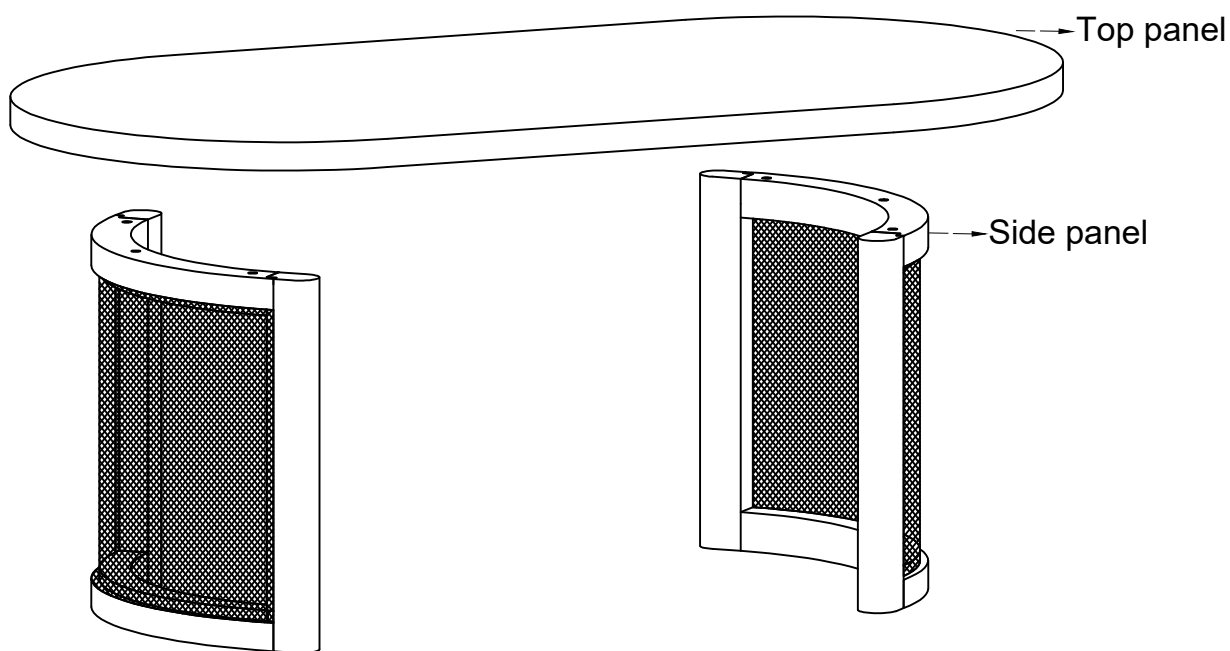
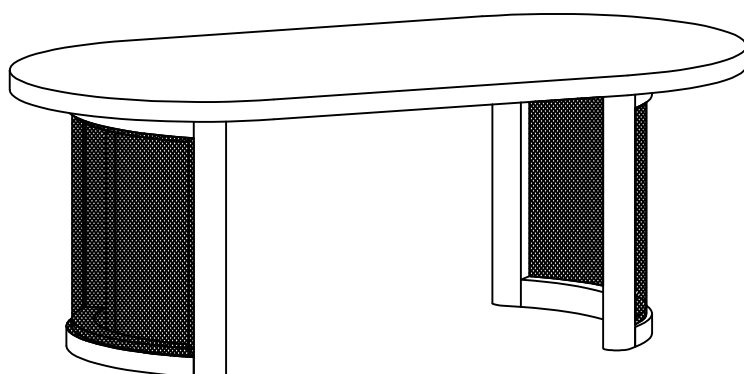



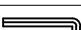


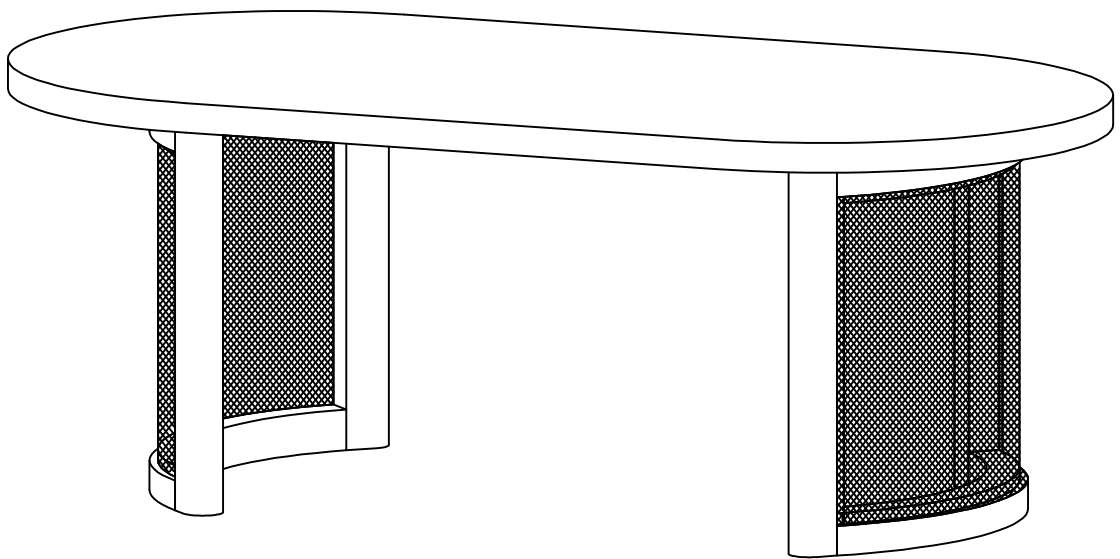
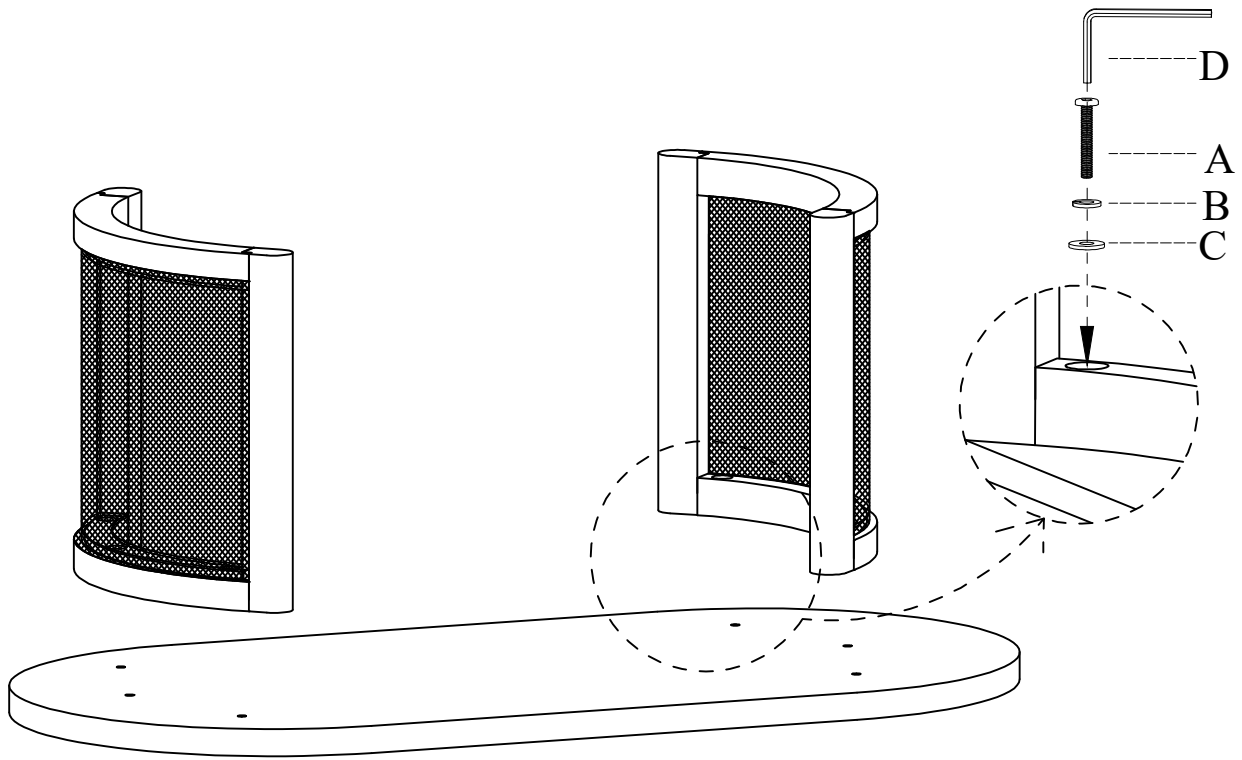
# ASSEMBLY INSTRUCTIONS



## HARDWARE LIST

A		Bolt (Ø5/16"*2-3/4")	6pcs
B		Lock Washer (Ø5/16")	6pcs
C		Flat Washer (Ø5/16"*Ø3/4")	6pcs
D		Allen Wrench (5mm)	1pc

Step 1



OK