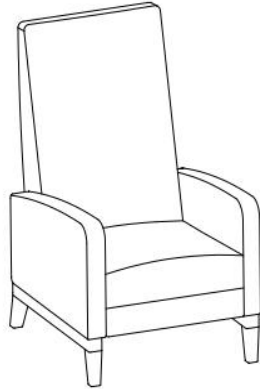



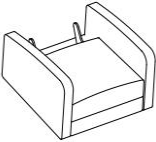

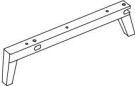
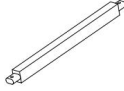
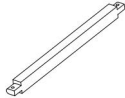
Assembly Instructions

Caution: You must read this before you proceed





Recliner



Parts List

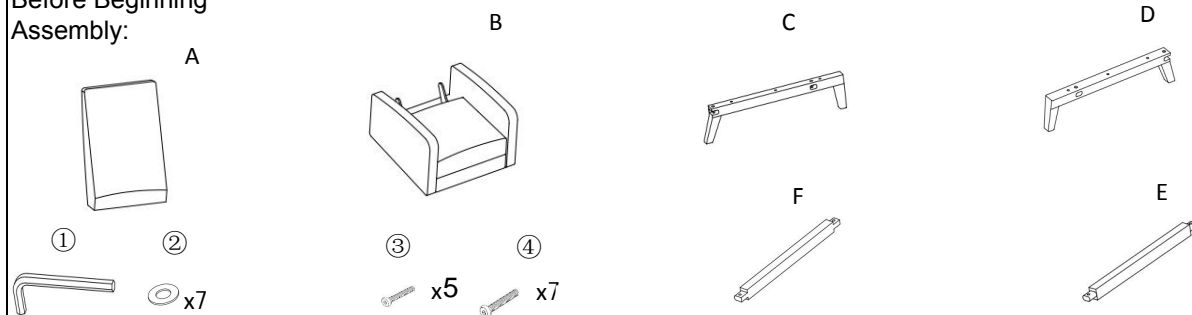
Label	Picture	Description	QTY
A		Recliner Backrest	1
B		Recliner Base with Arm	1
C		Right Wooden Base with Footrest	1
D		Left Wooden Base With Footrest	1
E		Front Link	1
F		Back Link	1

Hardware

①		Allen Wrench	1
②		Washer(Ø8MM)	7
③		Bolt (M8*35MM)	5
④		Bolt (M8*55MM)	7

Assembly Preparation

Before Beginning Assembly:



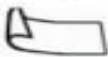
- Read instructions, cover to cover-



- Have 2 adults on hand for assembly-



- Do not assemble on flooring or carpet-

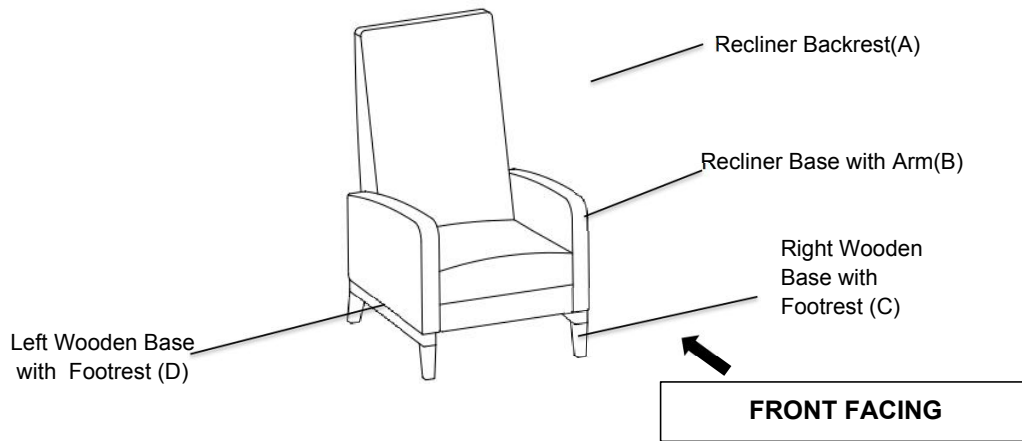


- Assemble on a clean non-marring surface (packing foam)-



- Save all packaging until finished-

Assembly Steps



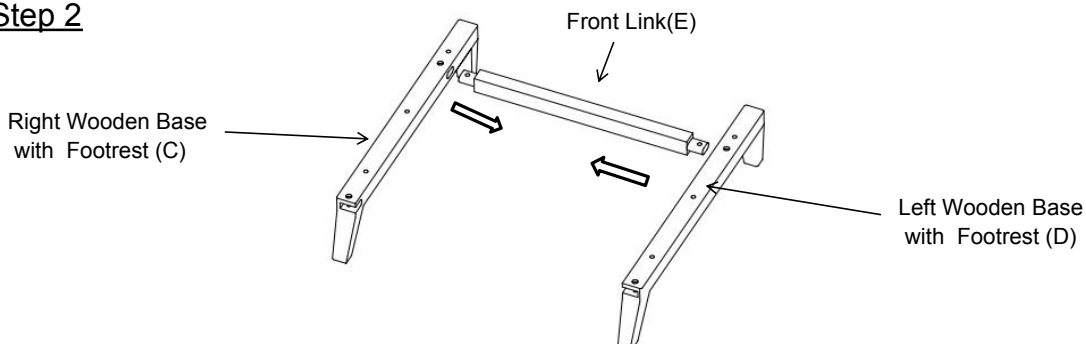
This Recliner has multiple parts and may require up to 30 minutes to assemble. To give you an overview of the Recliner parts, the above picture is to help you put the various parts into perspective. Please read through the instructions below to familiarise yourself with the parts and steps before assembly.

Step 1



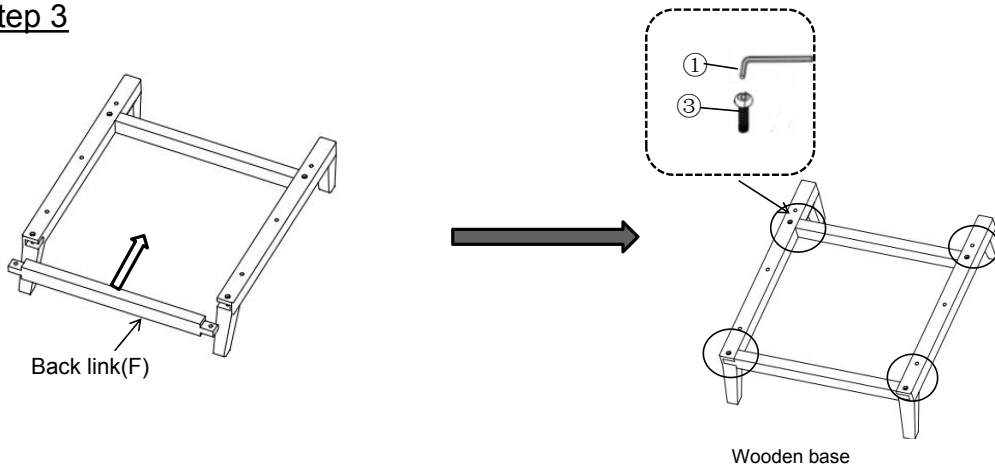
Place the Recliner Backrest(A), Recliner Base With Arm (B), Right Wooden Base With Footrest (C), Left Wooden Base With Footrest (D), Front Link(E) and the Back Link(F) on a clean, non-marring surface.

Step 2



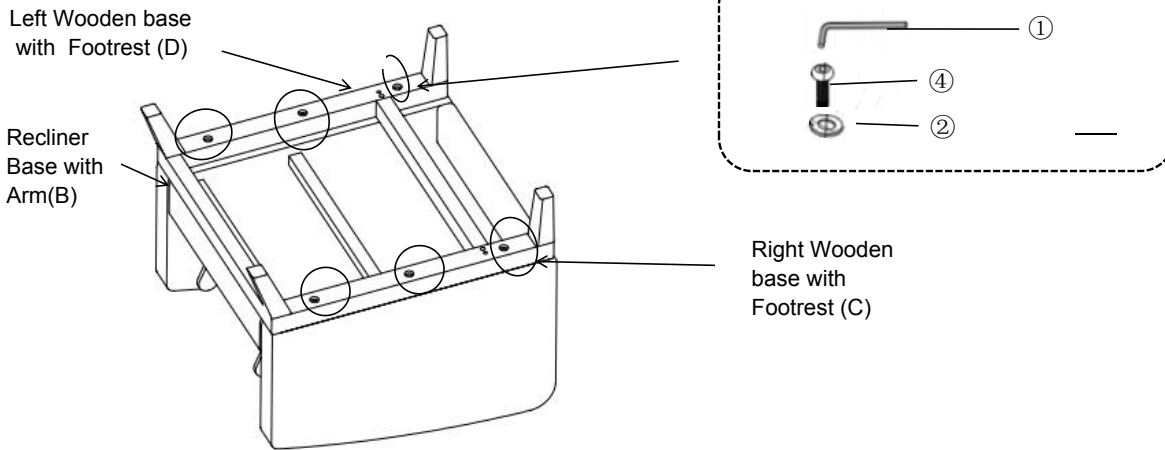
Take out the Right Wooden Base with Footrest (C), the Left Wooden Base with Footrest (D) and the Front Link(E) from the non-woven bags.
Attach the Right Wooden Base with Footrest (C) and the Left Wooden Base with Footrest (D) to the Front Link(E).

Step 3



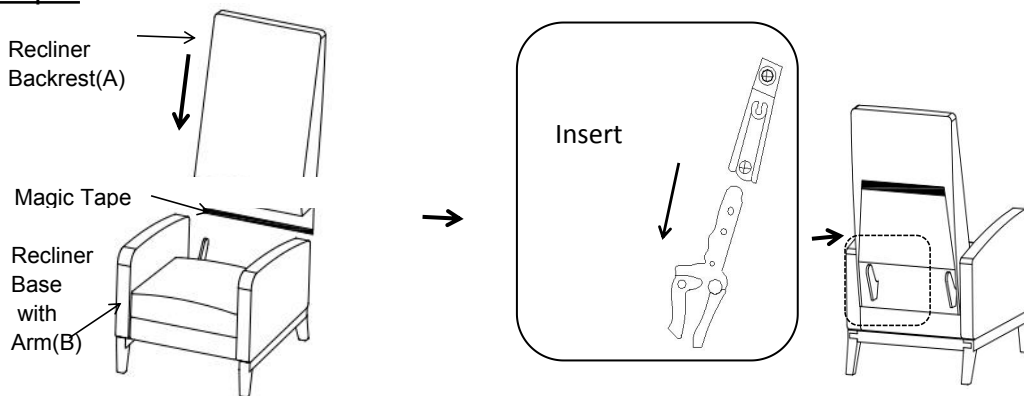
Then repeat attaching the Back Link(F) to the Recliner Wooden Base as shown above. Attach the Right Wooden Base(C) and the Left Wooden Base(D) to the Back Link(F) and the Front Link(E) using the Bolts(3) with the Allen Wrench(1) .

Step 4



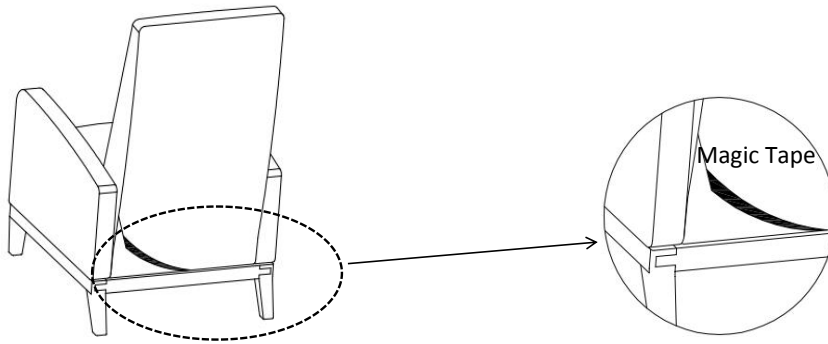
Attach the Left Wooden Base (D) and Right Wooden Base (C) to the Recliner Base with Arm(B) using the Bolts(4) and Washers(2) with the Allen Wrench(1) .

Step 5



With assistance from your adult partner, hold up the Recliner Backrest(A) while standing behind the Recliner Base with Footrest(B). Insert the small metal arms on the sides of the Recliner Backrest(A) into the prefabricated slide lock gadgets on the Recliner Base with Footrest(B) as shown above. Firmly but gently, push the Recliner Backrest(A) downwards until the Recliner Backrest(A) is fully slotted and locked into position.

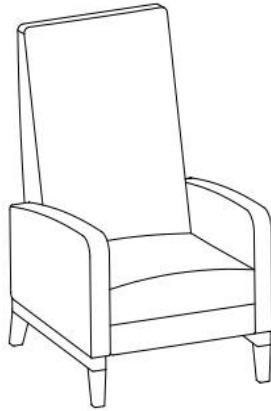
Step 6



Smooth down the fabric flap on the Recliner Backrest(A).

Run your hands down both sides of the flap, from top to bottom, allowing the Magic Tape to adhere to the flap under the seat of the Recliner.

Step 7



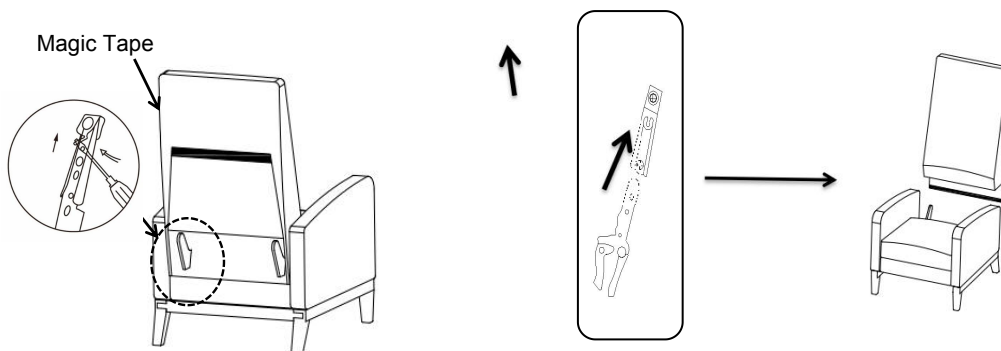
Make sure all parts are connected and securely locked into position.

Your Recliner is ready for use.

This Recliner can only be used on a flat, level surface.

Disassembly Instructions:

Step 8



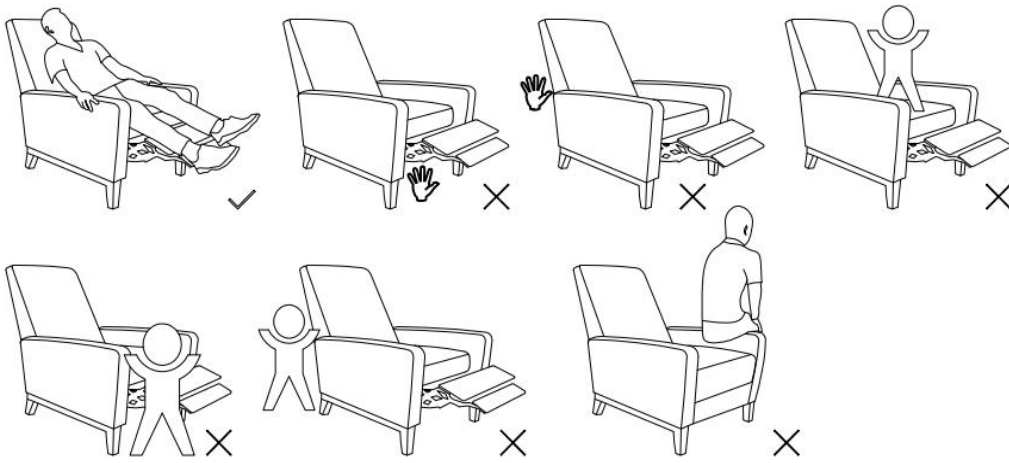
To Disassemble Recliner:

Open the flap on the Recliner Backrest(A), use a screwdriver (Don't use your fingers) pressing outward on the metal ear on the preattached Metal Bracket on one side of the Recliner Base(B).

With assistance of your adult partner to keep the Recliner Base(B) in place, pull the Recliner Backrest(A) upward at the same time, repeat the same step for another side.

Then the Recliner Backrest(A) can be taken out.

Warning



Do not allow children to play on the Recliner.
Always leave the Recliner in an upright and closed position after use!
Keep hands and feet clear of the footrest mechanism and ANY gaps.
No sitting on the Armrest of the Recliner.
Only the occupant should operate the Recliner.

User Instructions

Recliner

Please read the Instruction Manual below carefully before use.

This is a Recliner. At anytime in a reclined seat position or in the upright position. You may enjoy the rocking motion by using your body weight in a back-front rocking motion.

Supervise children, when in use of this Recliner.

To get into the Recline position:

Sit into the seat.
Use your body weight and push backwards into the seat into a fully reclined position.



To move the Chair back into the Upright Position:

Tilt your body weight slightly forward and upwards.
The seat back will come up to an upright position.
Use your feet to push the Footrest down.
The Recliner will automatically lock when it is in the fully upright position.
Where necessary, use your arms help lift/push yourself out of the seat



Care & Maintenance



- Furniture may scratch floors. We recommend using furniture pads to protect your floors.



- Do not put hot items directly on furniture surface.



- Do not clean furniture with harsh cleansers or polish.



- Do not place furniture under direct sunlight.



- Do not place furniture near heating or cooling vents.



- Do not write on furniture without a padded barrier to protect the surface.



- Do not place furniture outside . For indoor use only.



- Not for commercial use. For residential use only.



- Stains may be removed with mild soap solution and damp cloth.



- Children should not climb or jump on the furniture.



- Dust and pick-up spills using a clean, non-colored, lint-free cloth.