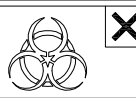
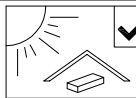




SOFT, DRY CLOTH



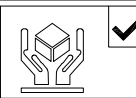
CHEMICAL



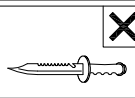
HEAT



KEEP DRY



HANDLE WITH CARE

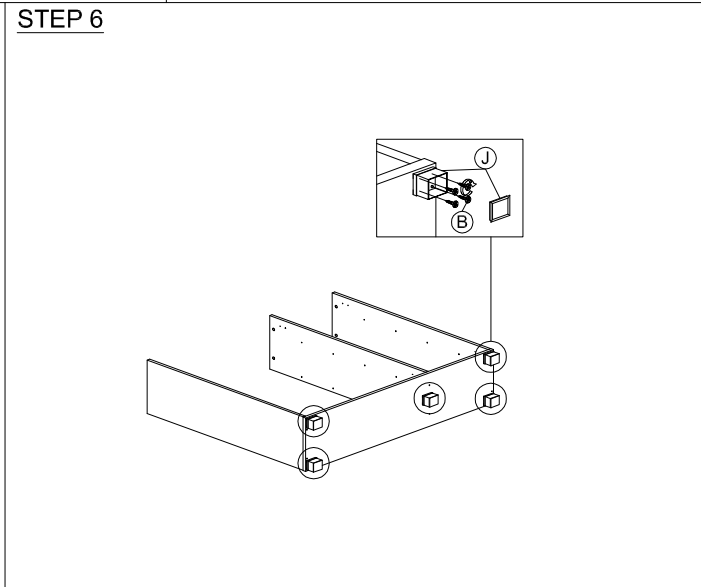
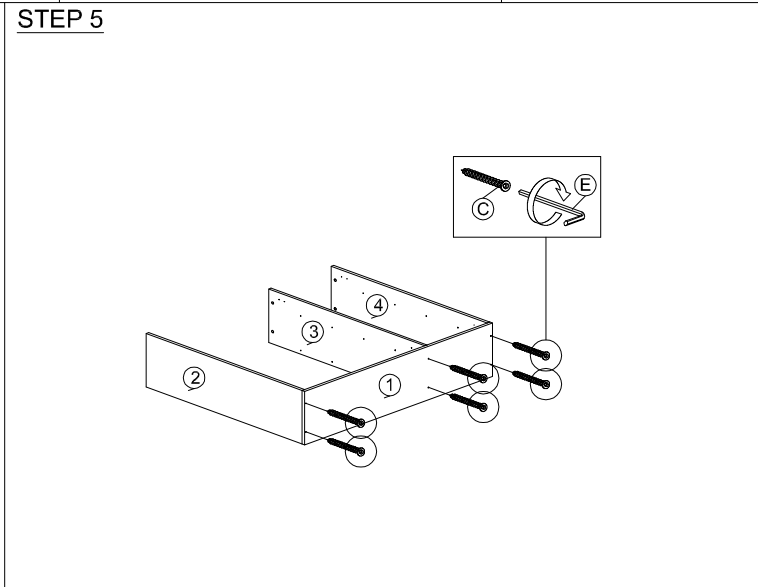
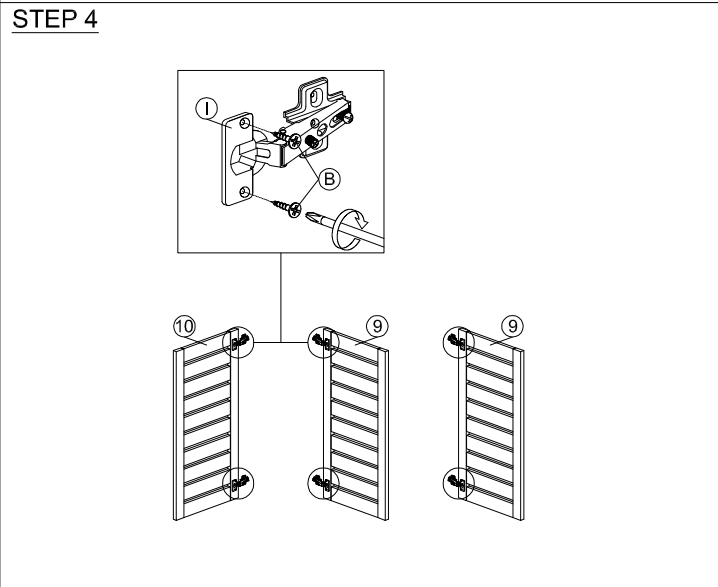
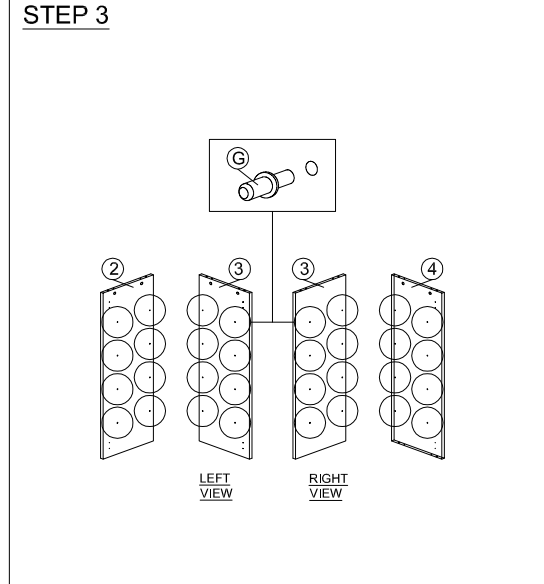
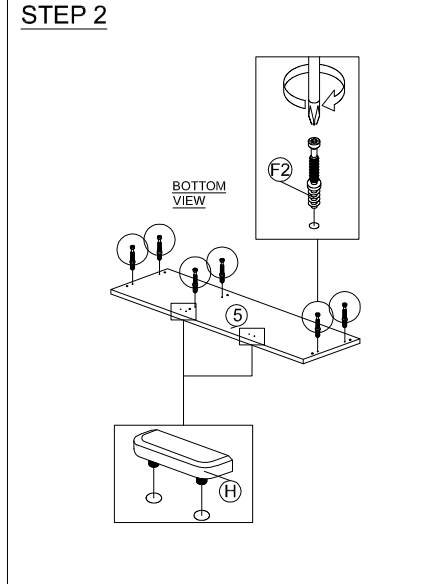
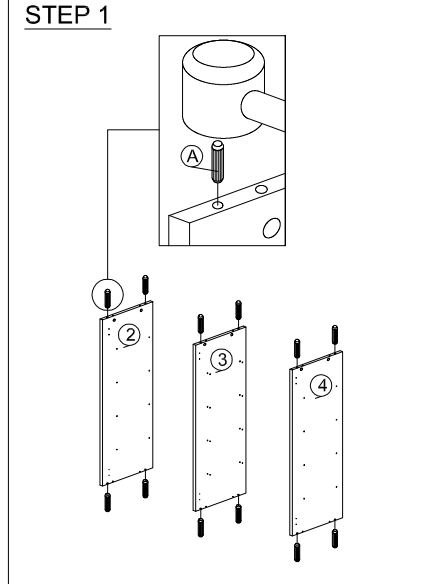
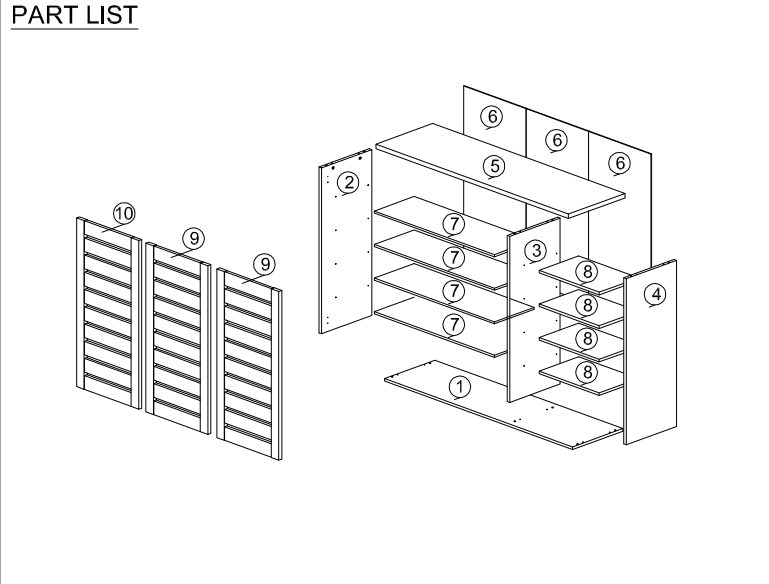


DO NOT USE KNIFE

ASSEMBLY INSTRUCTION

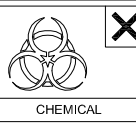
DESCRIPTION : 3 DOORS SHOE CABINET

HARDWARE	A	B	C	D	E	F	G	H	I	J	
	WOOD DOWEL 8 X 25 1X12	CB SCREW M3.5X16MM 1X44	CSK CAP WOOD M6X50MM 1X6	NAIL 5/8 1X30	L KEY 1X1	MINIFX 5654+5646 6 SETS	MINIFX CAP 1X32	PVC SHELF SUPPORT 1X32	2 PIN STOPPER 1X2	HINGES 5/8 6 SETS	5038 PVC LEG 1X5

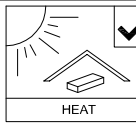




SOFT, DRY CLOTH



CHEMICAL



HEAT



KEEP DRY



HANDLE WITH CARE

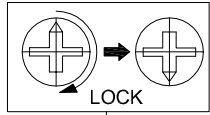


DO NOT USE KNIFE

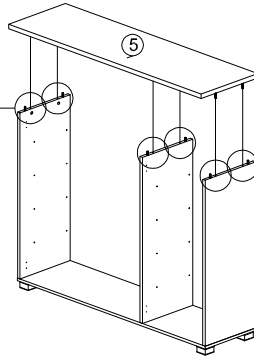
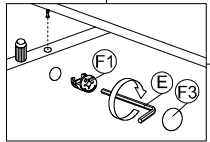
ASSEMBLY INSTRUCTION

DESCRIPTION : 3 DOORS SHOE CABINET

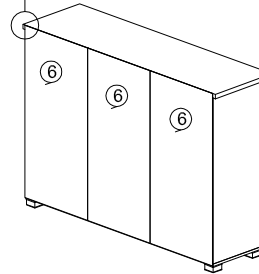
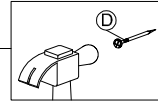
STEP 7



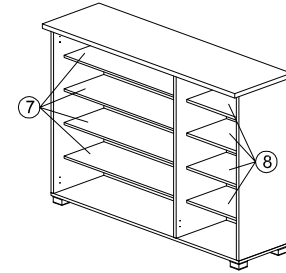
LOCK



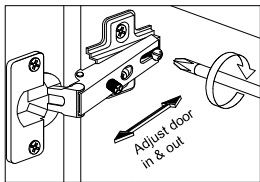
STEP 8



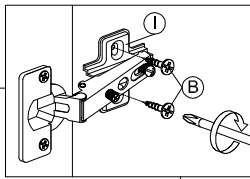
STEP 9



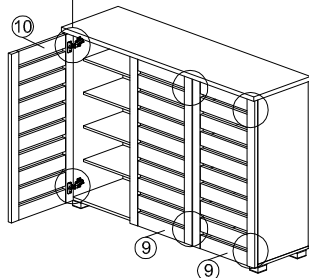
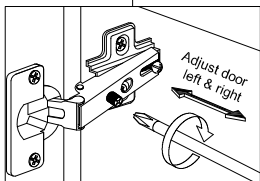
STEP 10



Adjust door
in & out



Adjust door
left & right



COMPLETED

