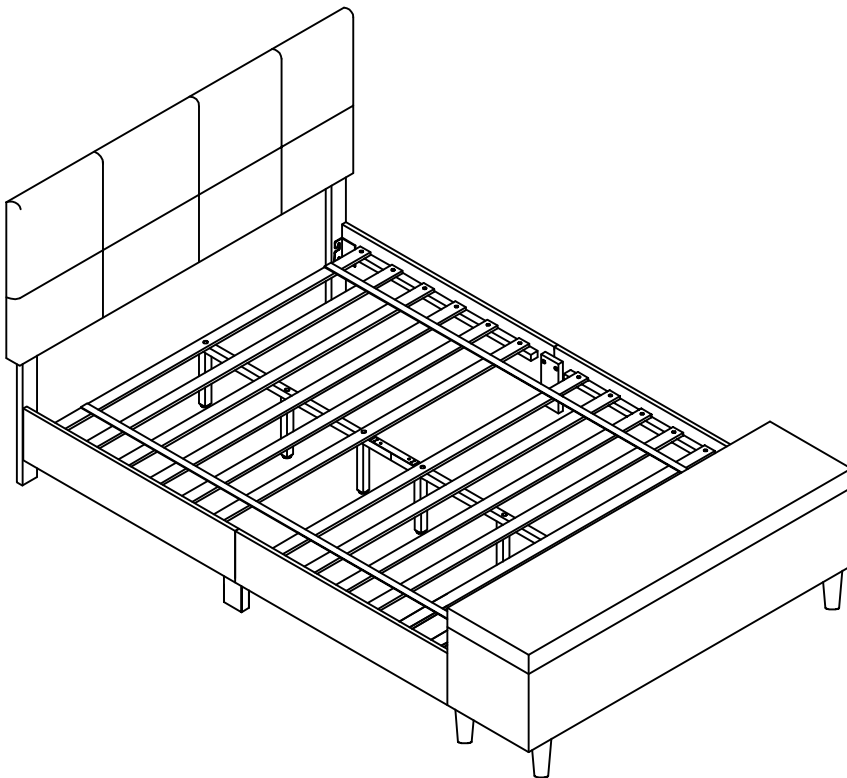


ASSEMBLY INSTRUCTIONS

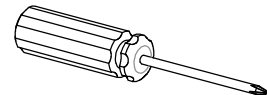


TOOLS REQUIRED



Allen Wrench

(Included)



Phillips Screwdriver

(Not Included)



3 - People
Recommended

ASSEMBLY RATING



EASY —————> DIFFICULT

The Assembly Rating is a 5-point system showing the level of effort needed to assemble a specific product.



CHECK BEFORE STARTING

Are you missing anything?

Double-check all parts, hardware and accessories listed are all accounted for.

Check out our Quick Tips!

We recommend reviewing the pre-assembly handouts. Even experts need a refresher now and then!

Should we send any replacements?

Are there any irregularities or flaws in the parts? We can send replacements!

Prep Time!

Please review the assembly instructions and all diagrams prior to assembling.

PRE ASSEMBLY INTRODUCTION

We understand building ready-to-assemble furniture can be a challenging experience for some. To help avoid confusion, we have provided some helpful tips that may speed up the process.



Teamwork

ALWAYS have at least two people to help with transporting and assembling the product to avoid potential injury and/or damage.



Suitable Location

Assembling near the area of the intended location is highly recommended.



Sufficient Space

Make sure you have enough space to move around during the assembly.



Avoid Scratches

Use cardboard, blankets or a carpeted area while assembling furniture to prevent to prevent scratches and damages.



Flat Surface

Make sure the furniture rests on a flat and level surface with each leg evenly touching the floor.

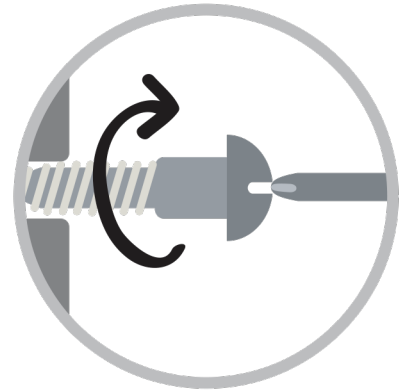
ASSEMBLY AND CARE ADVICE



FAILURE TO FOLLOW THE GUIDELINES BELOW MAY RESULT IN INJURY AND/OR PROPERTY DAMAGE.



Position each part correctly and insert screws or bolts into their respective holes.



Turn clockwise to tighten and only tighten when step is completed or when instructed to do so.



Use the appropriate hand tools or power tools for assembly. Select steps, such as tightening screws and/or bolts, may require hand tools to avoid causing damage during assembly.



Save the instructions and store any supplied tools for later maintenance.



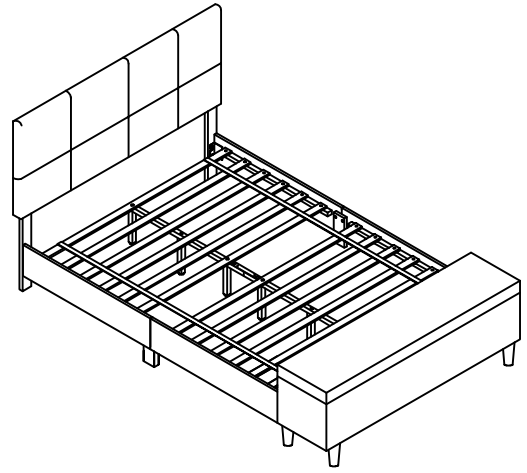
After two weeks, check and tighten any loose hardware and repeat again every six months thereafter.

IT IS THE USER'S RESPONSIBILITY TO MAINTAIN THE FURNITURE. THE HARDWARE MAY LOOSEN OVER TIME AND MAY CAUSE THE FURNITURE TO BE WOBBLY AND UNABLE TO SUPPORT ITS INTENDED WEIGHT CAPACITY. THIS MAY LEAD TO COLLAPSE AND MAY CAUSE SERIOUS INJURY.

BED



- Please keep instructions for future reference.
- Check the quantity and irregularity of parts and hardware before you start.



PARTS

#1 1pc



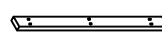
Headboard Panel (Top)

#2 1pc



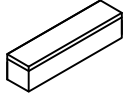
Headboard Panel (Down)

#3 1pc



Headboard Panel Center Connect

#4 1pc



Footboard

#5 2pcs



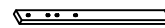
Side Rail A

#6 2pcs



Side Rail B

#7 2pcs



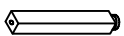
Headboard Leg

#8 4pcs



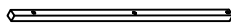
Footboard Leg

#9 6pcs



Support Leg

#10 2pcs



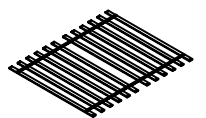
Center Support Tube

#11 2pcs



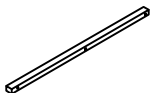
Side Rail Support panel

#12 1Set



Slat (12pcs)

#13 4pcs

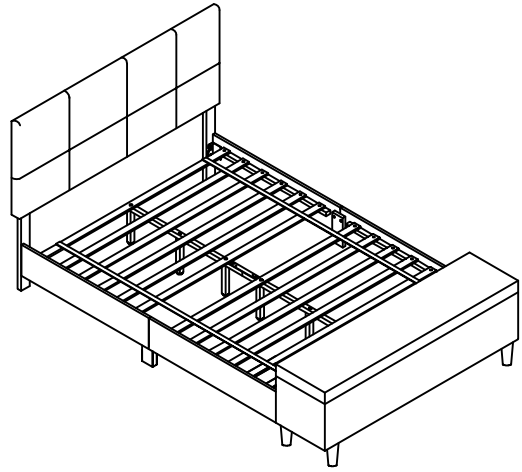


Side Rail Support Bar

BED



- Please keep instructions for future reference.
- Check the quantity and irregularity of parts and hardware before you start.



HARDWARE

#A 16pcs



Bolt 5/16" x 1-3/8"

#B 6pcs



Bolt 5/16" x 2-5/8"

#C 20pcs



Bolt 5/16" x 2"

#D 42pcs



Lock Washer

#E 42pcs



Flat Washer Ø19mm

#F 30pcs



Screw (25mmL)

#G 1pc



Allen Wrench

#H 1pc



Connect plate

#I 6pcs



Screw (30mmL)

#J 6pcs



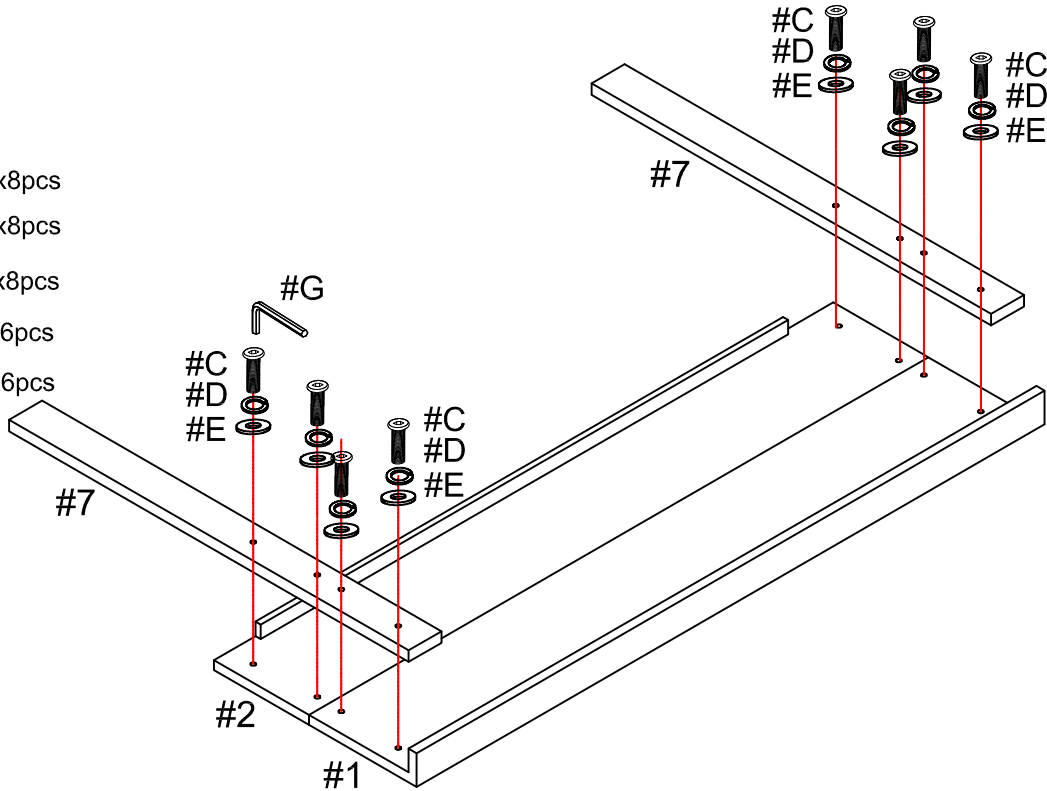
Flat Washer Ø16mm

ASSEMBLY INSTRUCTIONS

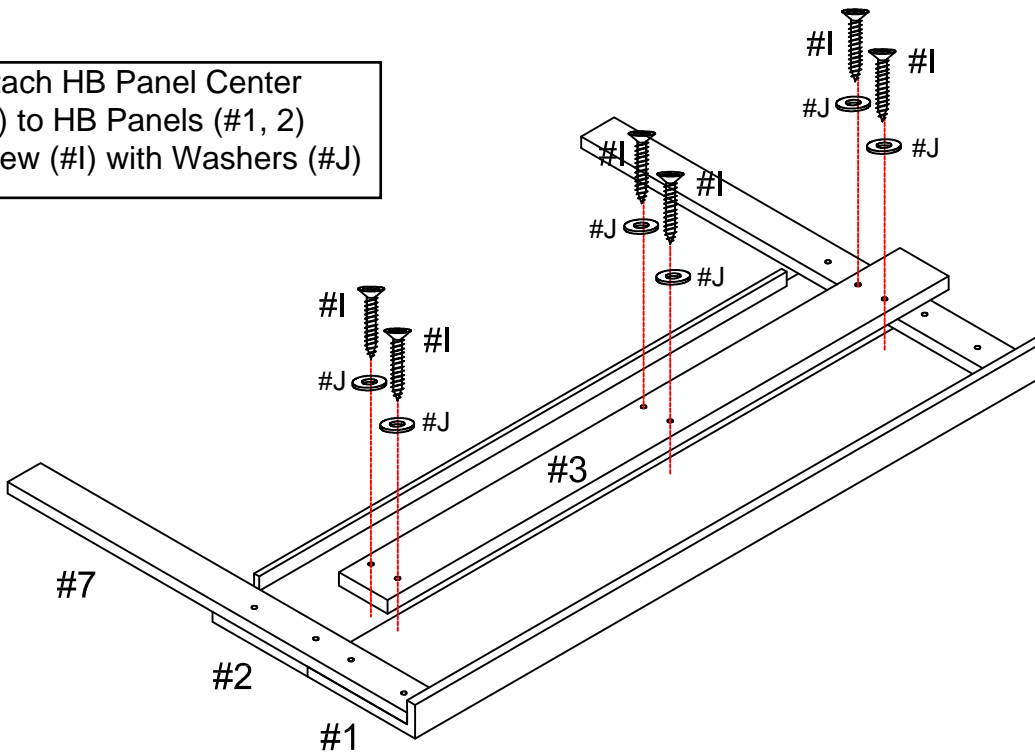
1

Align and attach HB Leg (#7) to HB Panels (#1, 2) by using Bolt (#C) with Washers (#D, E)

- Part #1 x1pc
- Part #2 x1pc
- Part #3 x1pc
- Part #7 x2pcs
- Hardware #C x8pcs
- Hardware #D x8pcs
- Hardware #E x8pcs
- Hardware #I x6pcs
- Hardware #J x6pcs



Align and attach HB Panel Center Connect (#3) to HB Panels (#1, 2) by using Screw (#I) with Washers (#J)



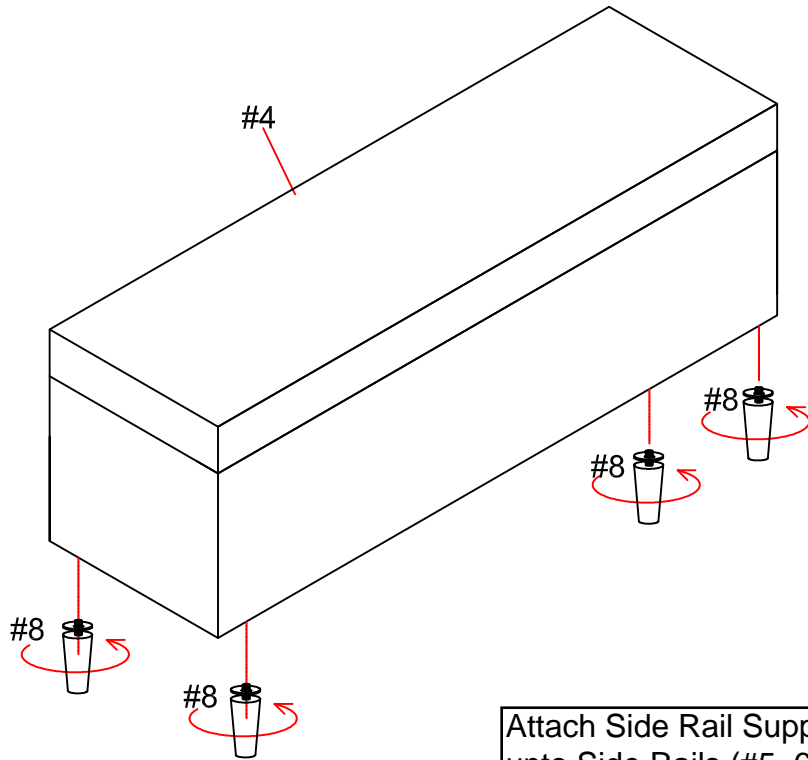
ASSEMBLY INSTRUCTIONS

2

Part #4 x1pc

Part #8 x4pcs

Screw FB Leg (#8)
unto Footboard (#4)



Part #5 x2pcs

Part #6 x2pcs

Hardware #A x 8pcs

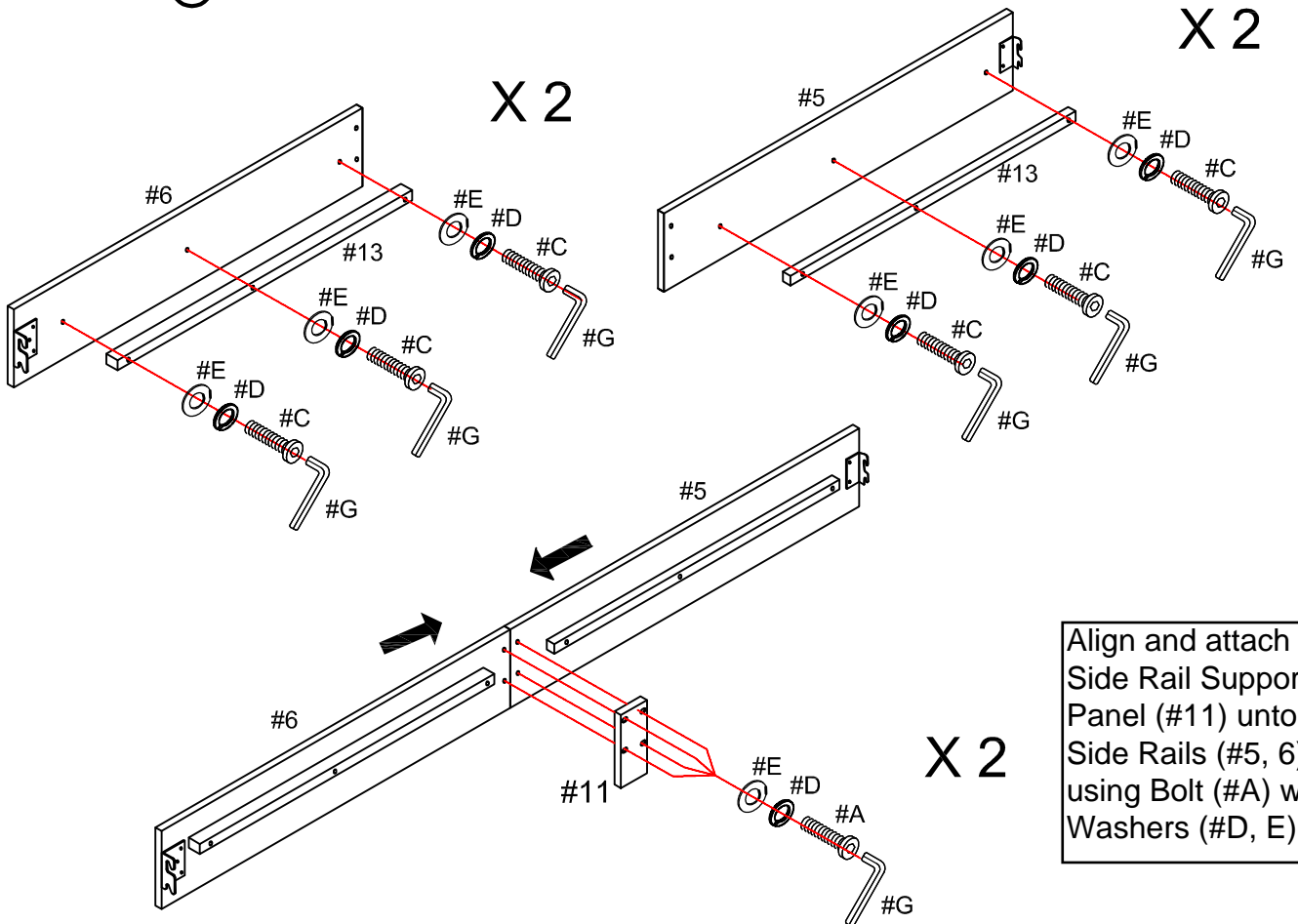
3

Hardware #C x 12pcs

Hardware #D x 20pcs

Hardware #E x 20pcs

Attach Side Rail Support Bar (#13)
unto Side Rails (#5, 6) by using
Bolt (#C) with Washers (#D, E)



X 2

X 2

X 2

Align and attach
Side Rail Support
Panel (#11) unto
Side Rails (#5, 6)
using Bolt (#A) with
Washers (#D, E)

ASSEMBLY INSTRUCTIONS

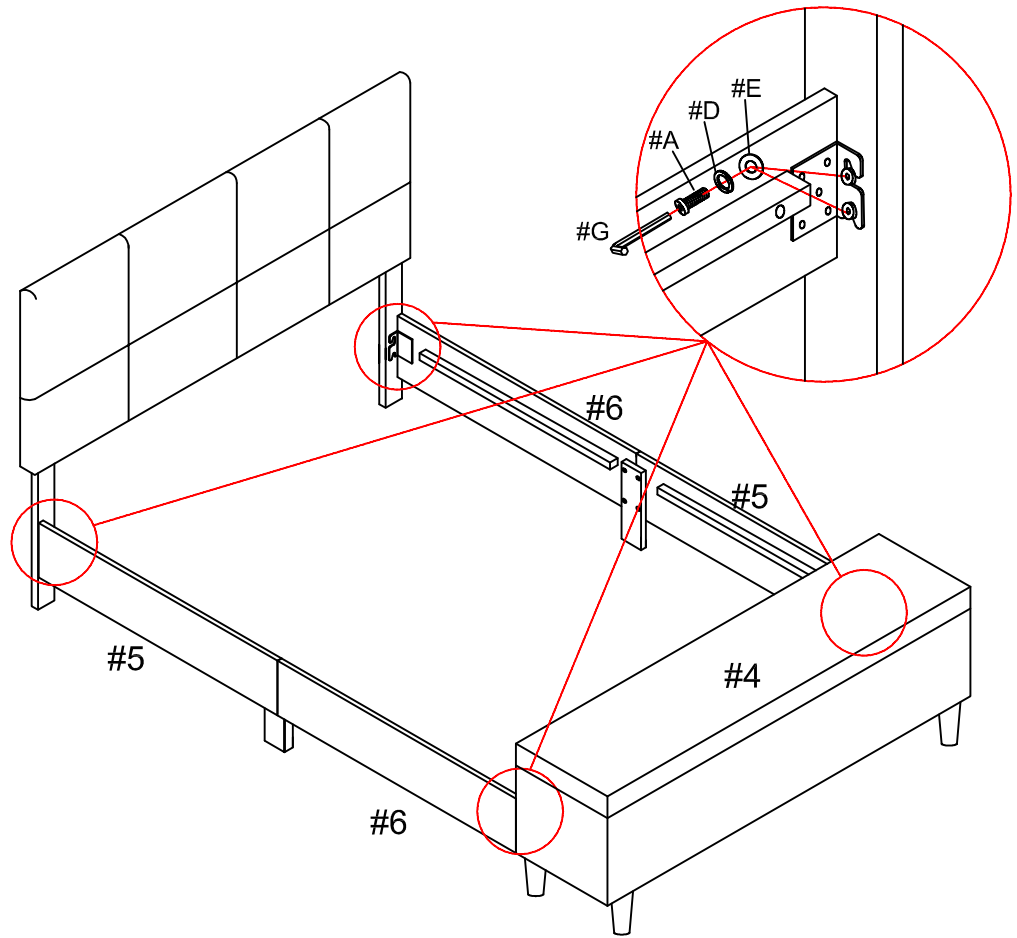
4

Hardware **#A** x 8pcs

Hardware **#D** x 8pcs

Hardware **#E** x 8pcs

Align and attach Side Rails (#5, 6) unto Headboard and Footboard using Bolt (#A) with Washers (#D, E)



5

Part **#9** x2pcs

Part **#10** x2pcs

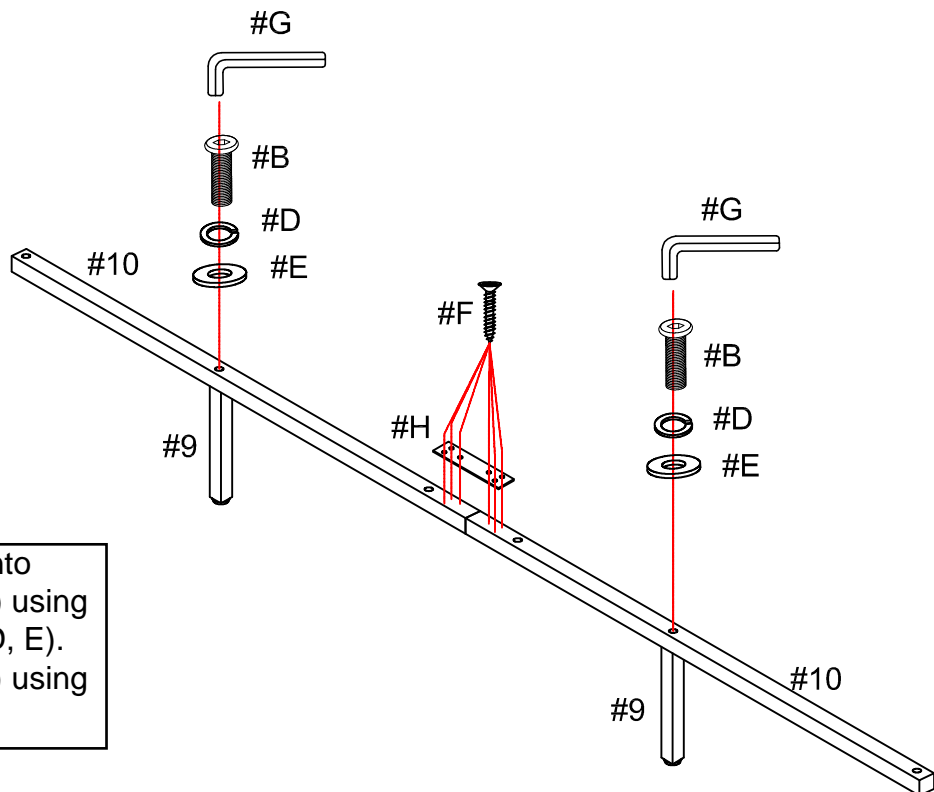
Hardware **#B** x 2pcs

Hardware **#D** x 2pcs

Hardware **#E** x 2pcs

Hardware **#F** x 6pcs

Hardware **#H** x 1pc



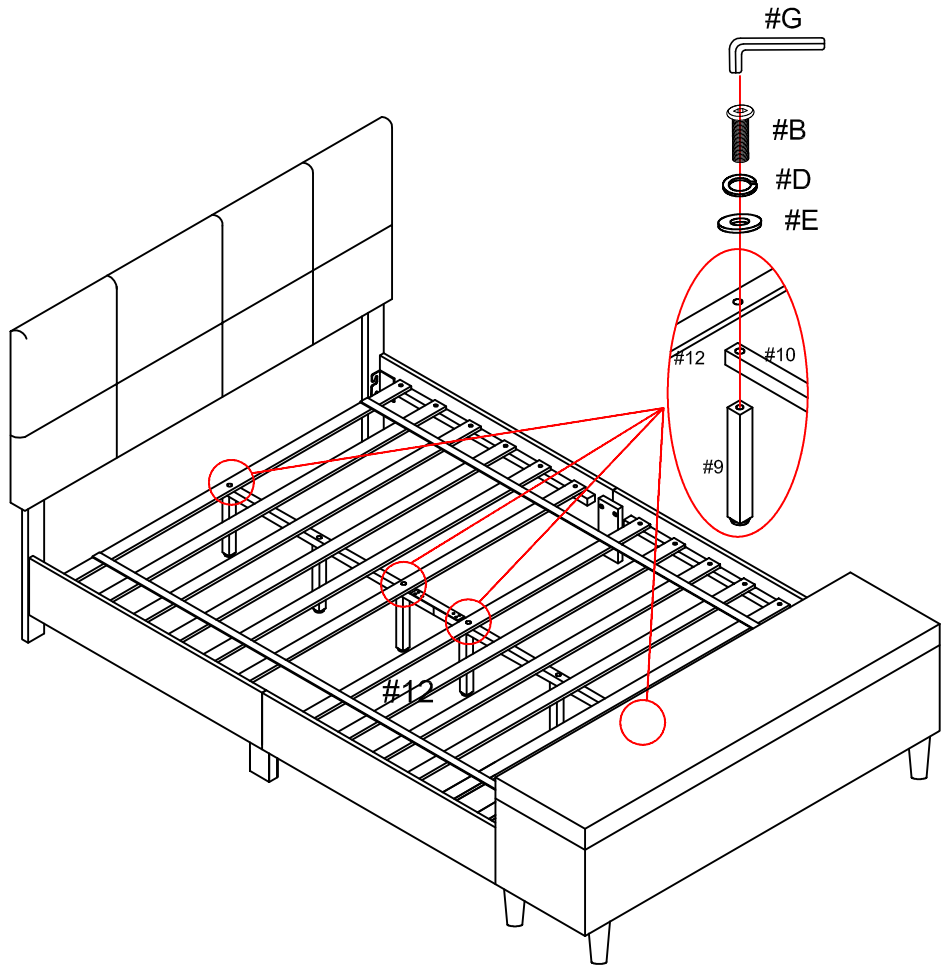
Attach Support Leg (#9) unto Center Support Tube (#10) using Bolt (#B) with Washers (#D, E). Secure Connect Plate (#H) using Screw (#F)

ASSEMBLY INSTRUCTIONS

6

- Part #9 x 4 pcs
- Part #12 x 1 Set
- Hardware #B x 4 pcs
- Hardware #D x 4 pcs
- Hardware #E x 4 pcs

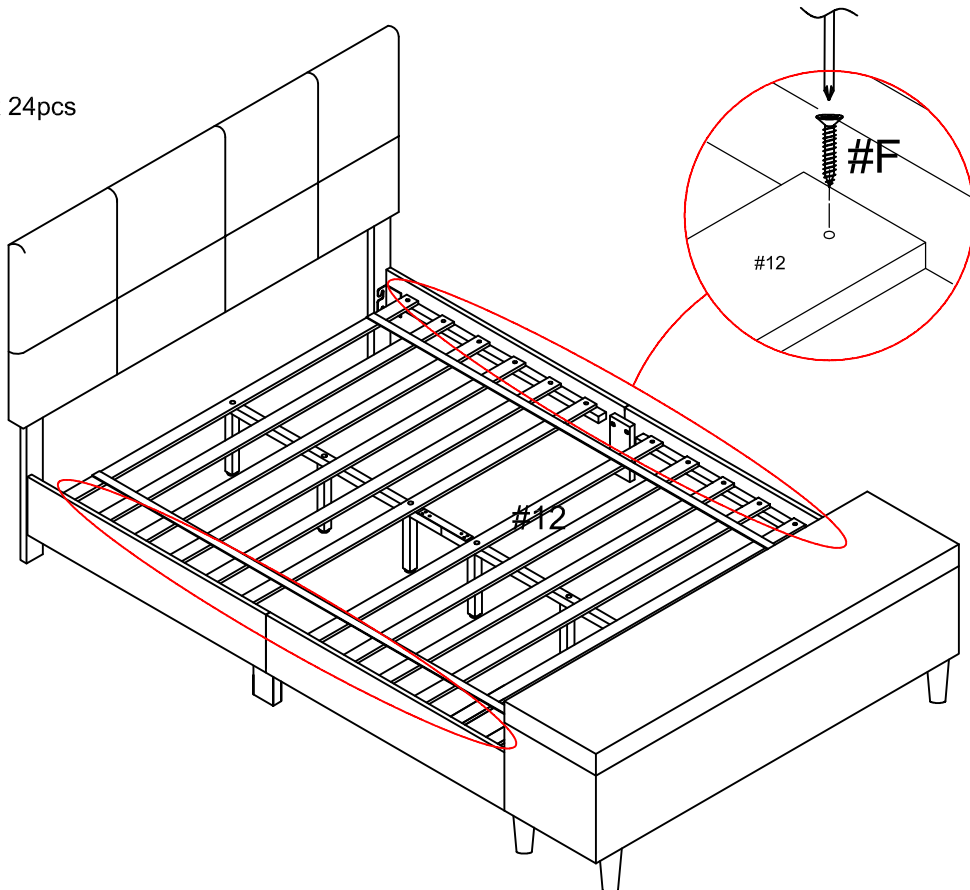
Secure Slat (#12) unto Center Support Tube (#10) and Support Leg (#9) using Bolt (#B) with Washers (#D, E)



7

- Hardware #F x 24 pcs

Secure Slat (#12) using Screw (#F)



ASSEMBLY INSTRUCTIONS

8

