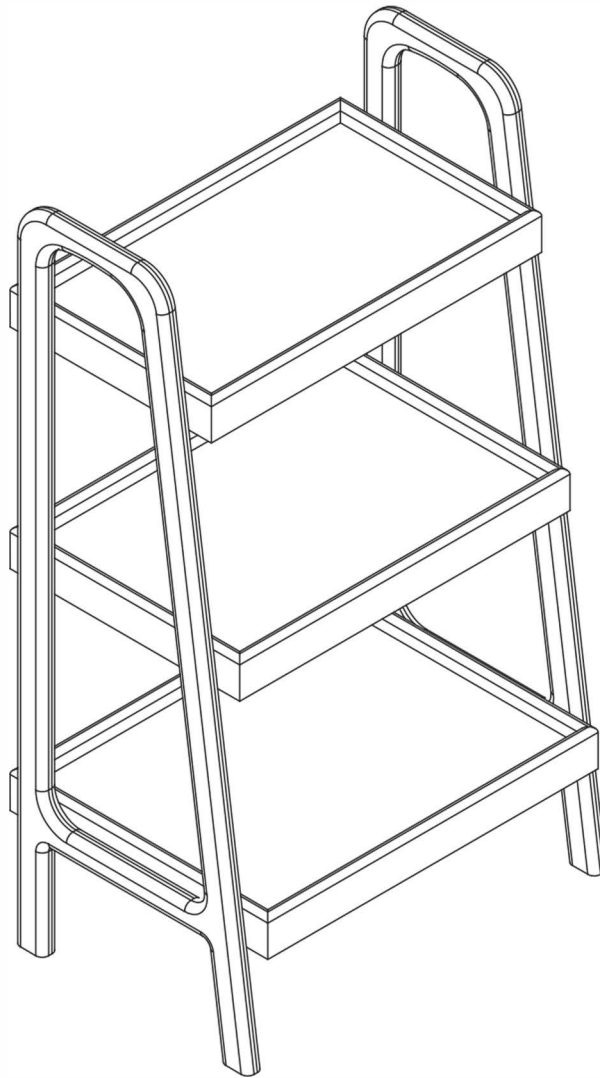


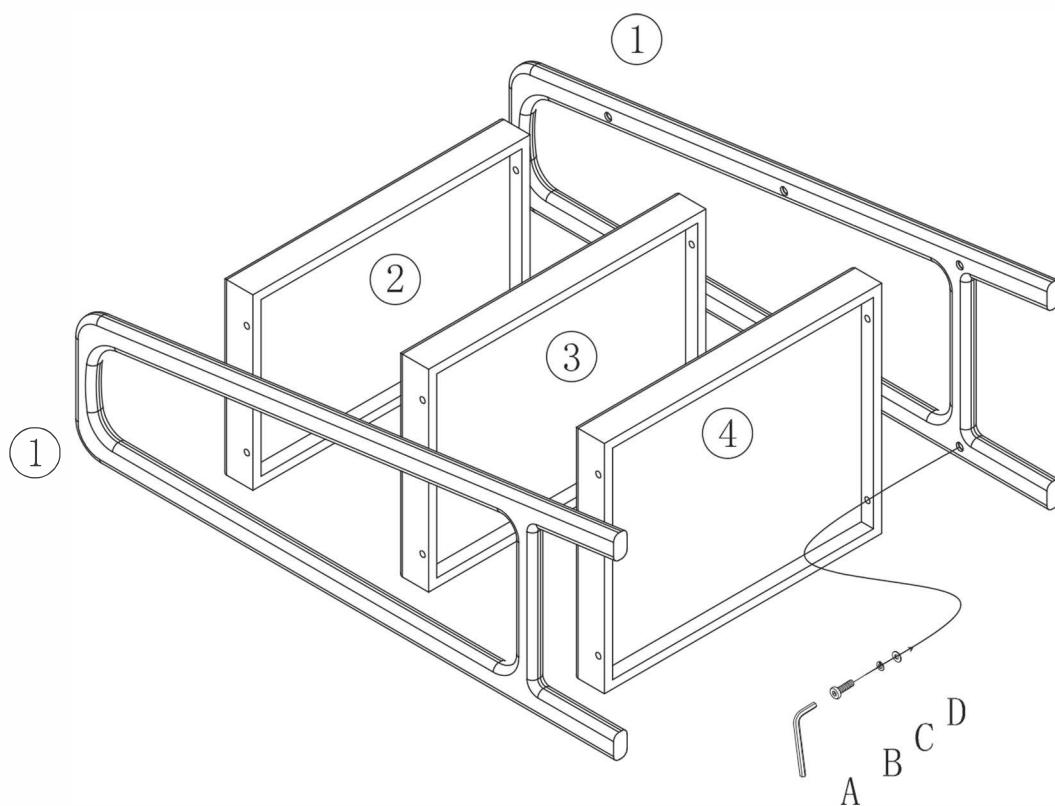
Side table





Assembly Instructions



Step 1:

Lock the screws in sequence according to the corresponding hole positions.



			
A. Allen key 4#=1	B. Screw M6*25=12	C. Spring pad ø6=12	D. Flat pad ø6=12