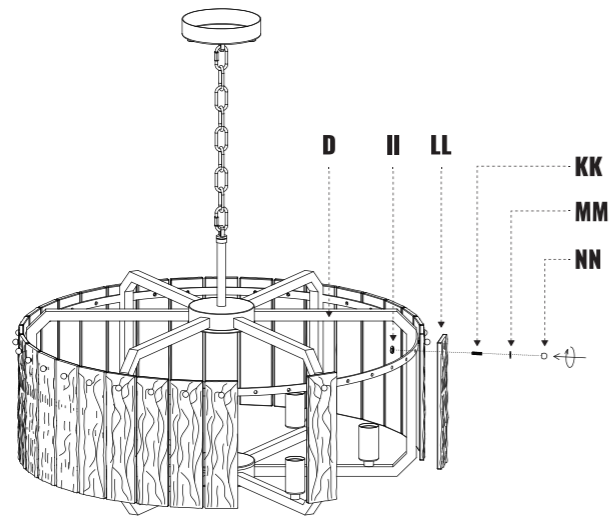
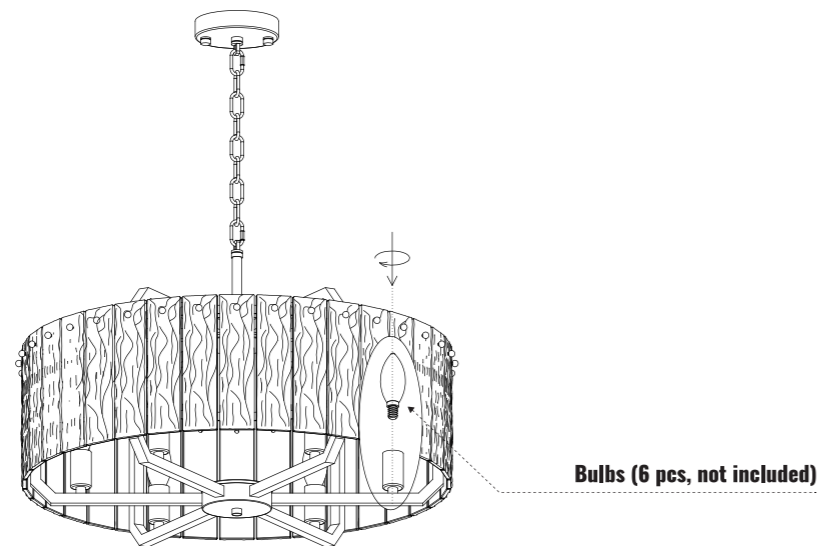


5. ATTACH THE GLASS AND INSTALL BULBS

Fig.6



1. Attach the other pieces of glass to the frame as Fig.6 with screw caps (NN), plastic washers (MM), short screws (KK) and M4 nuts (II) provided.

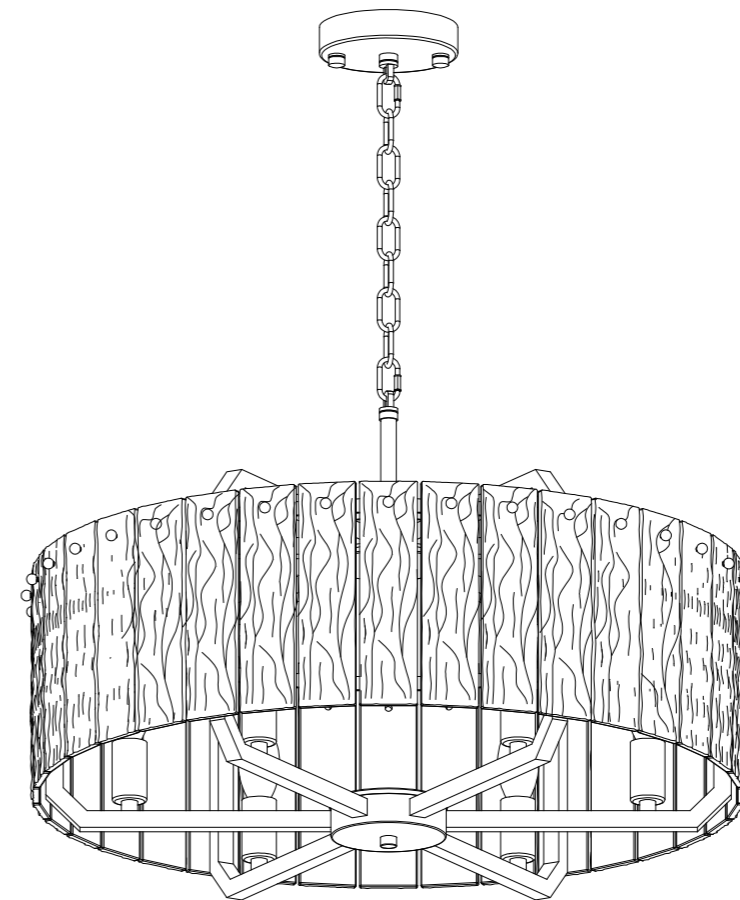


2. Install Bulbs (E12 x 6, Max 40W each, LED recommended)

INSTALLATION MANUAL

CHANDELIER

Model No.:

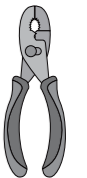


Scan for Installation Video

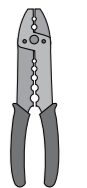
TOOLS REQUIRED



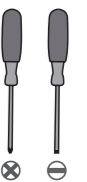
Ladder



Pliers

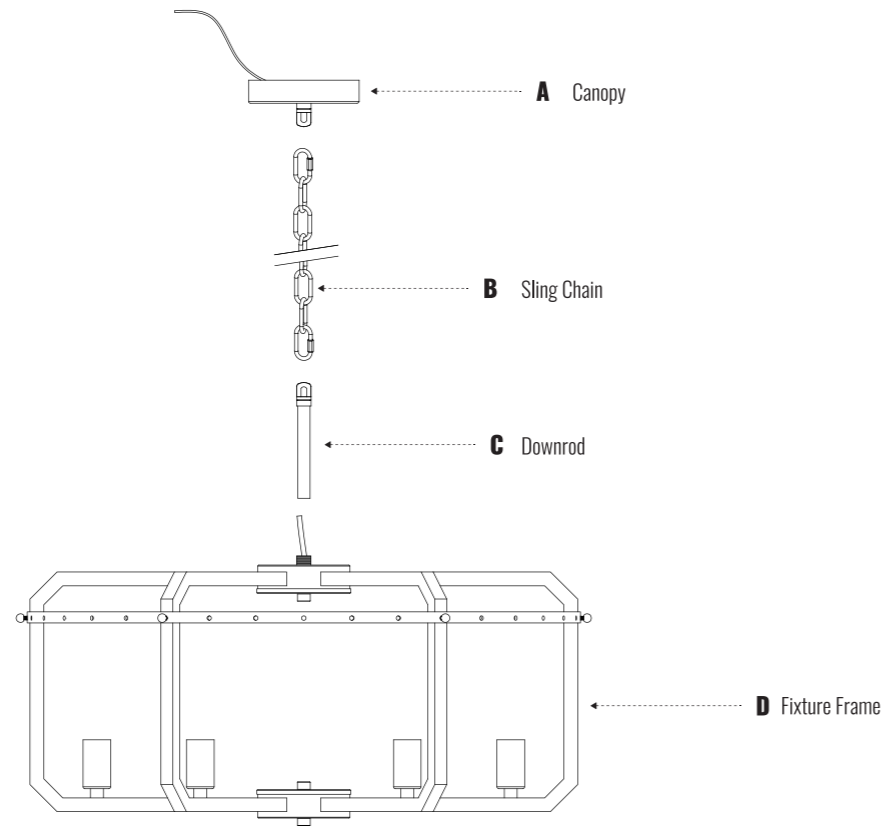


Wire Strippers



Screwdrivers

1.PACKING LIST



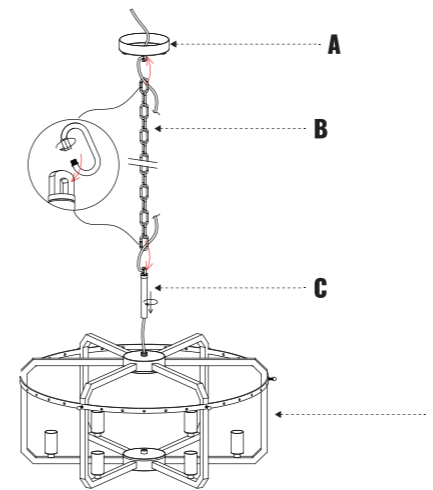
2.INSTALLATION KIT

AA Wire Nut 3×	BB Mounting Screw 2×	CC Ground Screw 1×	DD Canopy Screw 2×	EE M5 Nut 4×
FF Flat Washer 2×	GG Mounting Plate 1×	HH Cap Nut 2×	II M4 Nut 36×	JJ Long Fixed Screw 6×
KK Short Fixed Screw 30×	LL Glass 36×	MM Plastic Washer 36×	NN Screw Cap 36×	OO Gloves 1×

- NOTE:**
- The glass parts (LL) are fragile and spare parts are included.
 - Six sets of "II, JJ, MM, NN" have already been pre-installed on the fixture frame (D). You must loosen them before installation. (See STEP 2 in "Fixture Assembly")
 - Parts "CC, DD, EE, FF, GG, HH" have already been pre-installed together with canopy (A).
 - The light bulbs are not included in the packing list.

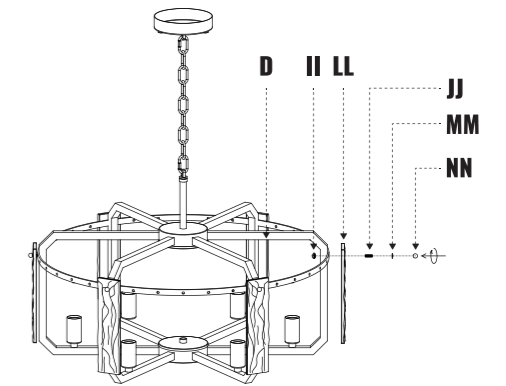
3.FIXTURE ASSEMBLY

Fig.1



STEP 1:
Thread the wires of the fixture through the downrod (C) and securely fasten the downrod (C) to the fixture frame (D). Loosen the quick links at both ends of the sling chain (B) and attach them separately to the canopy (A) and the downrod (C).

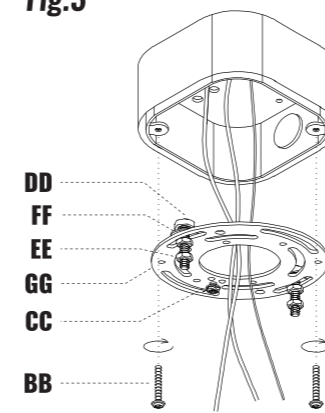
Fig.2



STEP 2:
Loosen the screws on the fixture frame (D). Attach 6 pieces of glass onto the frame arms with screws taken off (Fig.2).

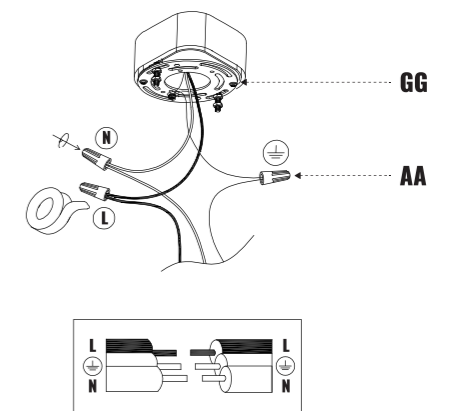
4.MOUNTING AND WIRING

Fig.3



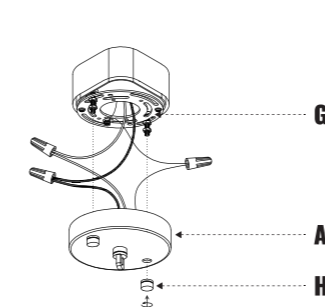
1. Mount the Mounting Plate
STEP 1: Loosen the cap nut (HH) from canopy (A), take out the mounting plate (GG).
STEP 2: Take off the screws from outlet box, secure the mounting plate (GG) onto the box with screws taken off or screws provided (BB) (Fig.3).

Fig.4



2. Connect the Wires
STEP 1: Connect the wires from the fixture to the house supply wires with wire nuts (AA), ground wire (green, green/yellow, or bare) to ground wire, neutral wire (white) to neutral wire, and hot wire (black) to the hot wire. Wrap the connection with electrical tape (Fig.4).
STEP 2: Spread apart the wires so that the hot wires are on one side of the outlet box and the neutral wires are on the other side.

Fig.5



3. Fix the Canopy
Fix the canopy (A) onto the mounting plate (GG) with cap nuts (HH) taken off (Fig.5).