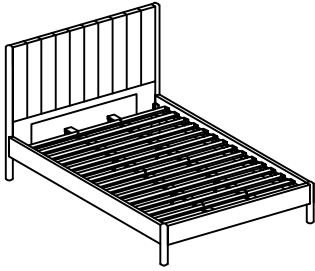


ASSEMBLY INSTRUCTION

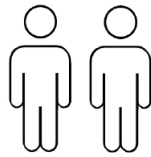
KING



+ Do Not Use Power Tools



+ Suggested Adults



NOTE:

- 1 Read instructions cover to cover.
- 2 Save all packaging until assembly is completed.

1 IMPORTANT SAFETY INFORMATION

Do not assemble the product if any of the following parts arrived damaged:

- Part # - Side Rails
- Part # - Center Support Bar
- Part # - Support Legs
- Part # - Slats

2 IMPORTANT ASSEMBLY INFORMATION

Assembly Step Ensure the side rail bracket is fully hooked onto bolt loosely threaded with both washers on the **OUTSIDE** of the bracket first, then proceed to fully tightening all 4 corners.

+ Parts Included

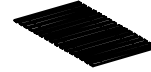
- | | | |
|--------------------------|--------------------------|---------------------------|
| ① Headboard
(1 of pc) | ② Footboard
(1 of pc) | ③ Side Rail
(2 of pcs) |
|--------------------------|--------------------------|---------------------------|



- | | | |
|-------------------------------|-------------------------------|-----------------------------|
| ④ Headboard Leg
(2 of pcs) | ⑤ Footboard Leg
(2 of pcs) | ⑥ Center Rail
(2 of pcs) |
|-------------------------------|-------------------------------|-----------------------------|

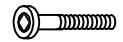
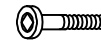


- | | |
|-----------------------------|-----------------------------|
| ⑦ Support Leg
(4 of pcs) | ⑧ 14 Pcs Slat
(1 of set) |
|-----------------------------|-----------------------------|

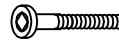


+ Hardware Included

- | | | |
|---------------------------------|---------------------------------|---------------------------------|
| A JCBB
M8x20mm
(8 of pcs) | B JCBC
M6x40mm
(4 of pcs) | C JCBC
M6x60mm
(6 of pcs) |
|---------------------------------|---------------------------------|---------------------------------|



- | | | |
|---------------------------------|---------------------------------------|---------------------------------------|
| D JCBC
M6x70mm
(4 of pcs) | E Allen Key
M5 x 70mm
(1 of pc) | F Allen Key
M4 x 65mm
(1 of pc) |
|---------------------------------|---------------------------------------|---------------------------------------|



- | | | |
|----------------------------------|-----------------------------------|--------------------------------|
| G CSK
M4 x 25mm
(4 of pcs) | H CSK
M4 x 32mm
(34 of pcs) | I Spring Washer
(10 of pcs) |
|----------------------------------|-----------------------------------|--------------------------------|



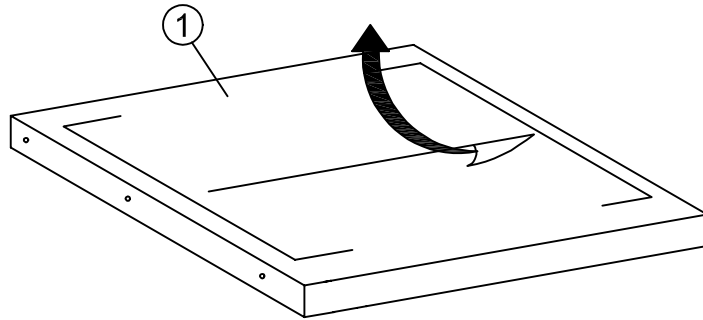
- | | |
|------------------------------|--------------------------|
| J Flat Washer
(10 of pcs) | K Adjuster
(4 of pcs) |
|------------------------------|--------------------------|



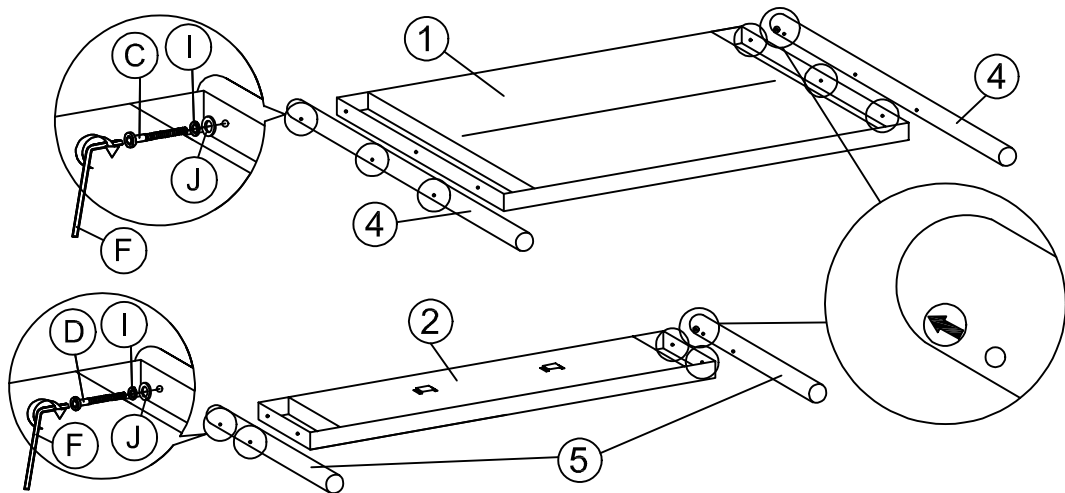
ASSEMBLY INSTRUCTION

KING

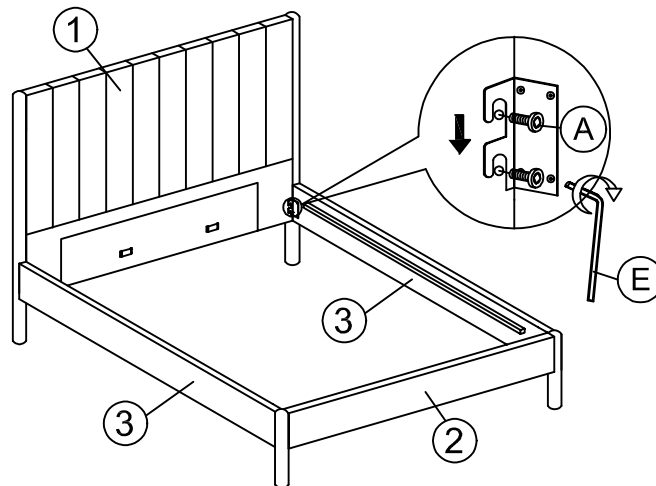
①



②



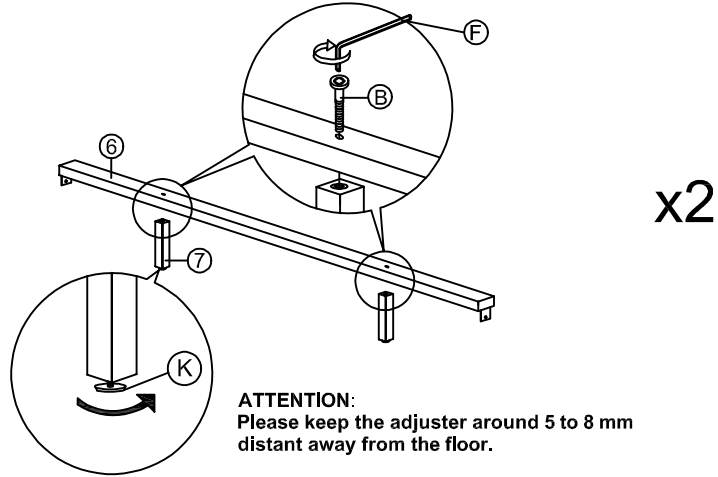
③



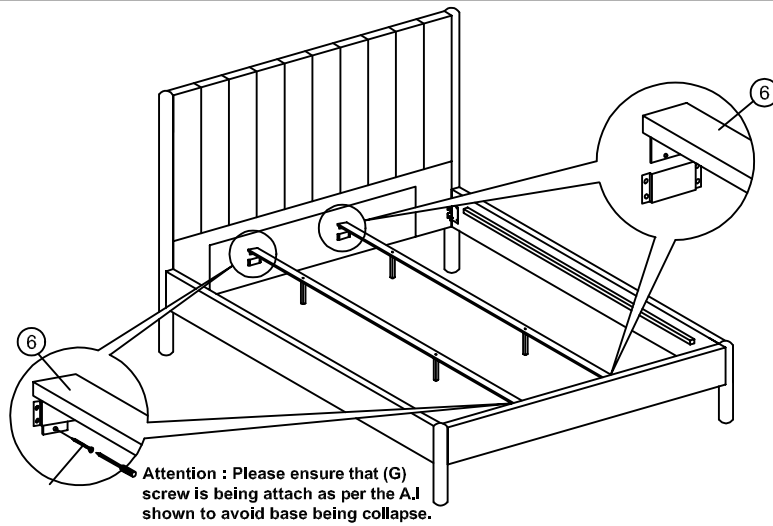
ASSEMBLY INSTRUCTION

KING

4



5



6

