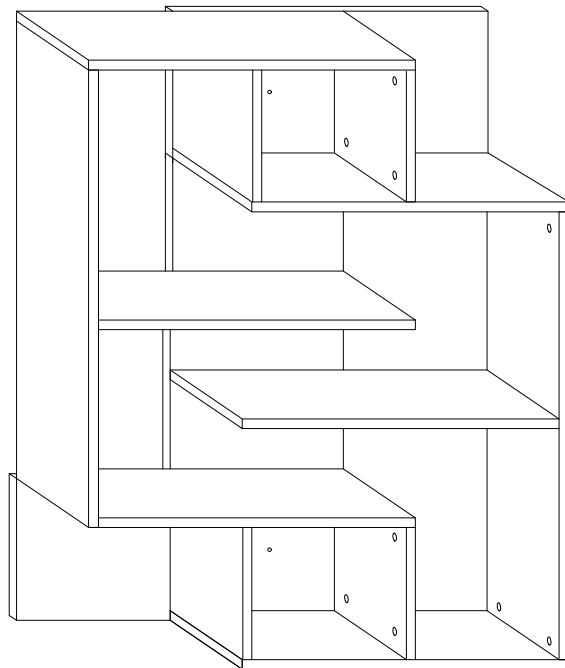


Installation & Assembly



Dear Valued Customer,

Before embarking on the assembly journey of our meticulously designed furniture piece, we extend a friendly caution to those who might find themselves navigating the assembly instructions like uncharted waters. Consider this your assembly roadmap, but remember, not all who venture forth heed the warnings.

Mind the Details: In the intricate dance of screws, bolts, and mysterious components, attention to detail is your compass. Failure to acknowledge the subtleties may lead to a misstep in the assembly waltz.

Avoid Solo Sailing: While solo adventures are admirable, assembling our furniture is a team sport. Rally your crew, or at least one reliable sidekick, to ensure a smoother voyage. Two sets of eyes are better than one, especially when deciphering assembly hieroglyphics.

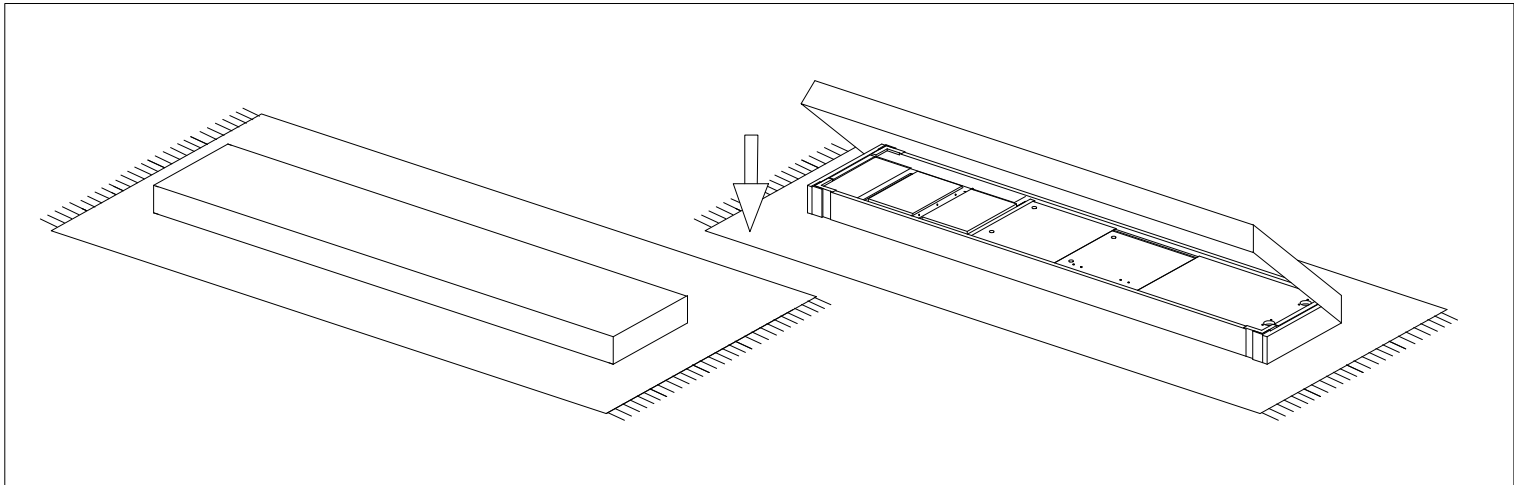
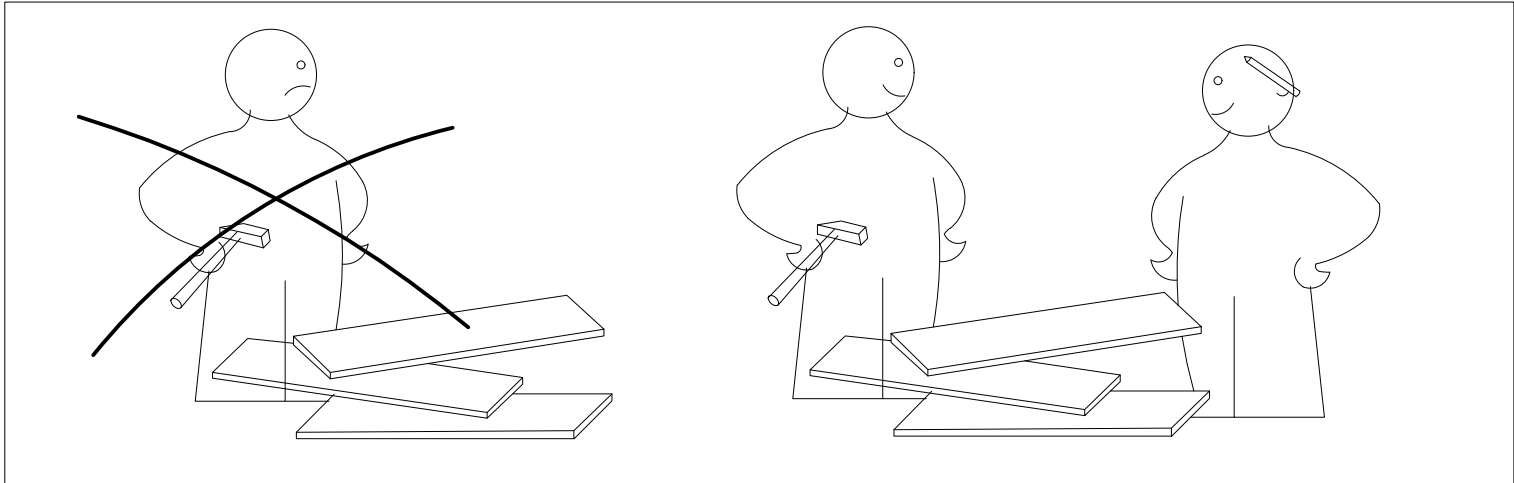
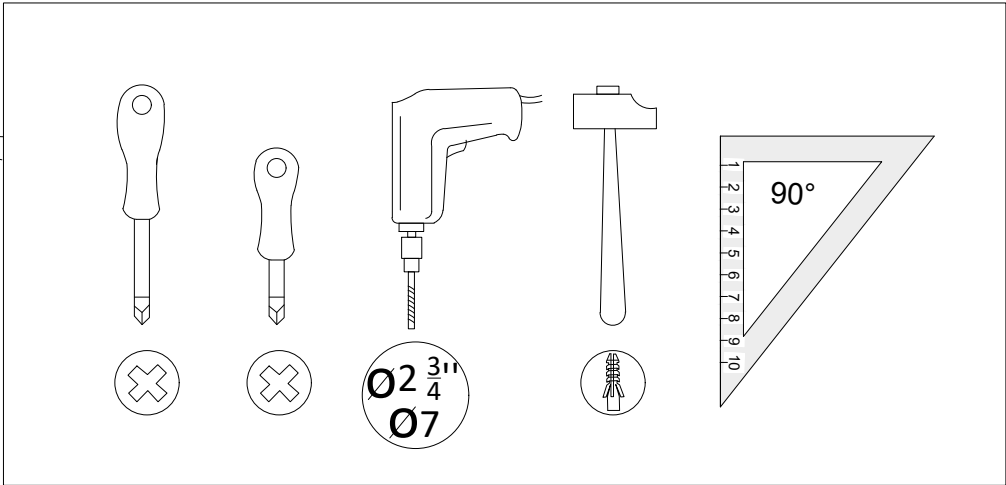
Tools are Your Allies: The toolkit provided isn't just for show. Each tool is a trusty sidekick in your quest for furniture glory. Disregarding their importance may result in frustration and a potential detour to the hardware store.

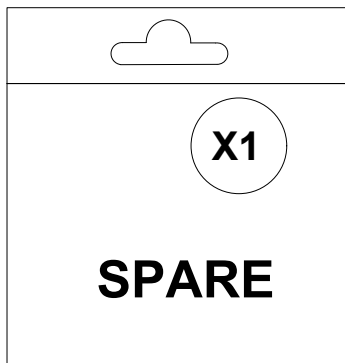
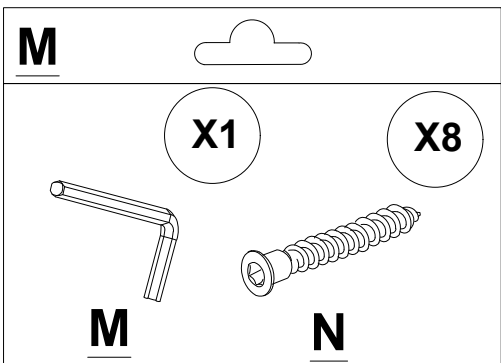
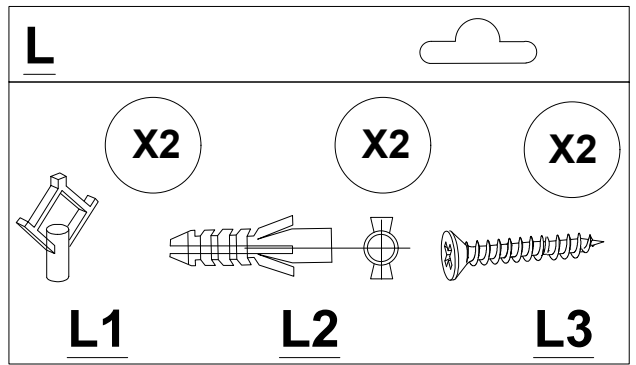
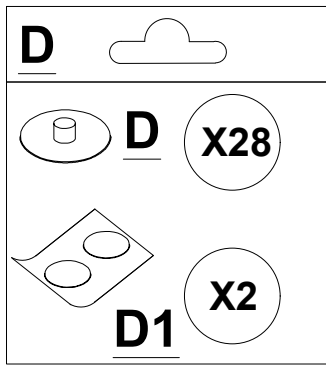
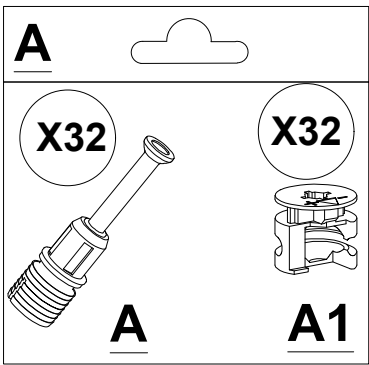
The Manual is Your Map: The assembly manual is not just a paperweight. It's your treasure map to furniture utopia. Ignoring its guidance may result in the dreaded disassembly-reassembly loop, a journey no one wants to embark upon.

Remember, brave assembler, you hold the power to turn a pile of parts into a functional masterpiece. With great power comes great responsibility. May your assembly journey be smooth, your Allen wrench swift, and your furniture stand tall and proud.

Happy assembling!

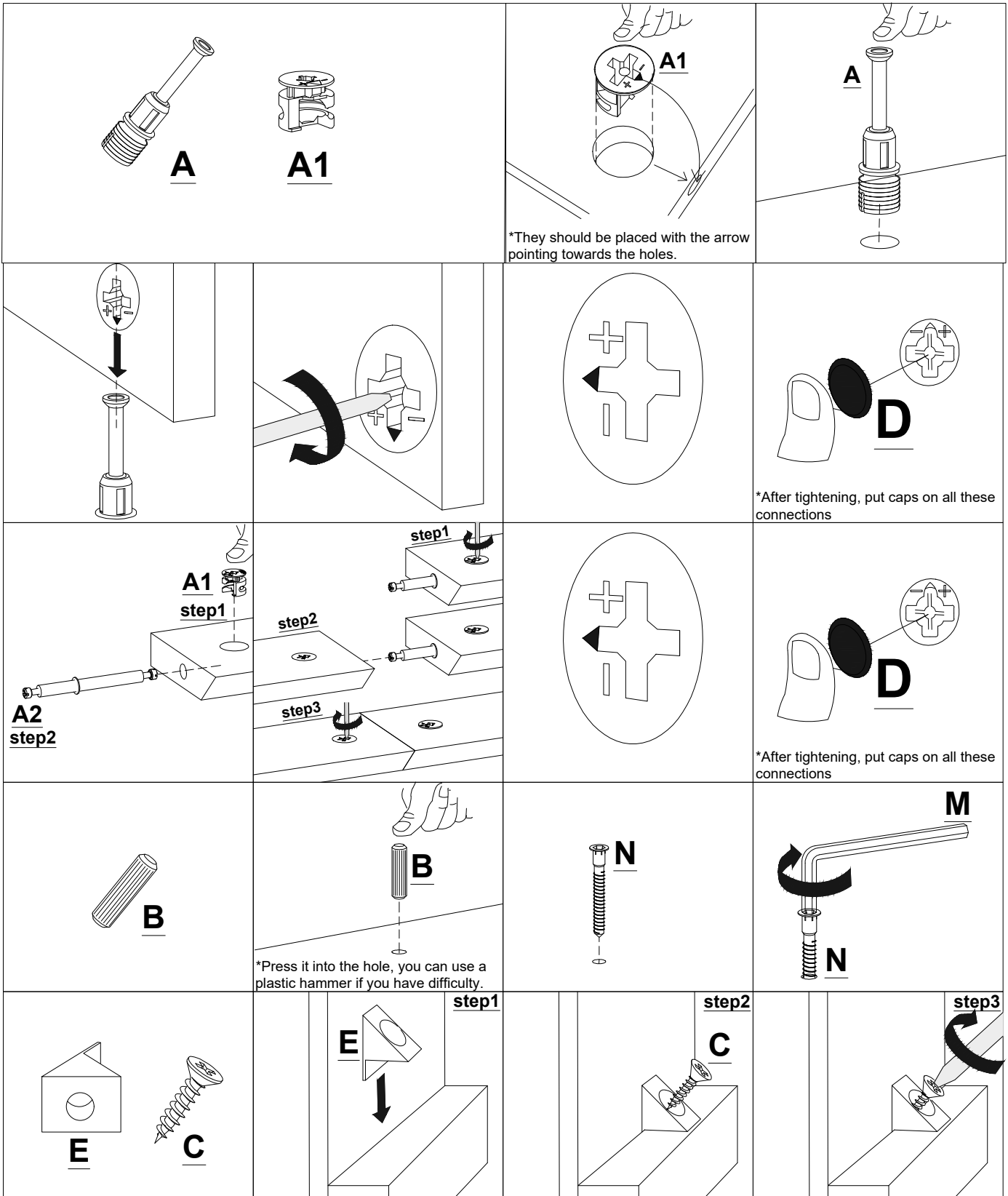
Use the drill only to secure the product to the wall.

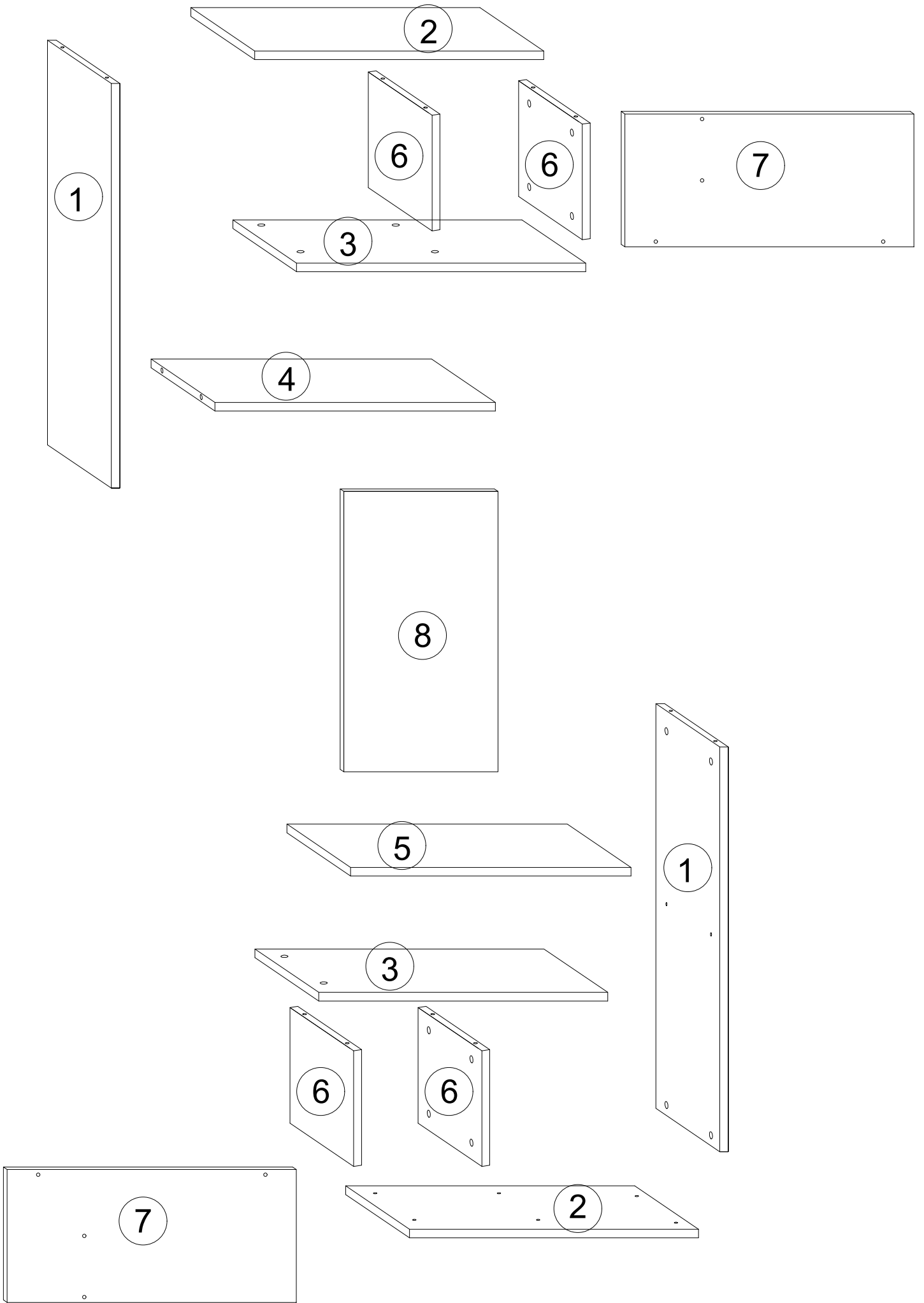


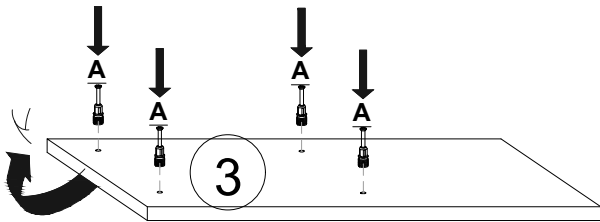
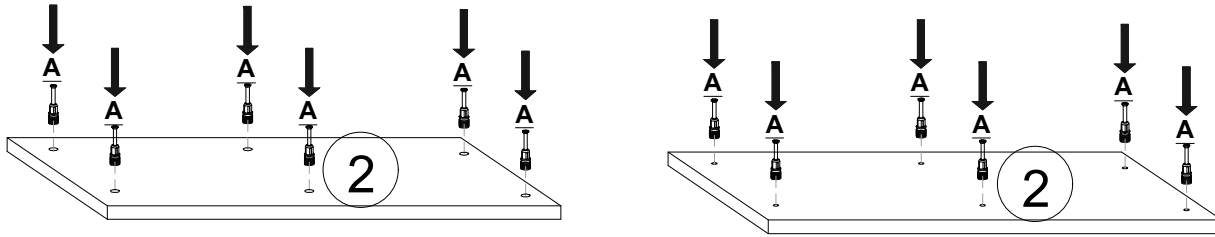
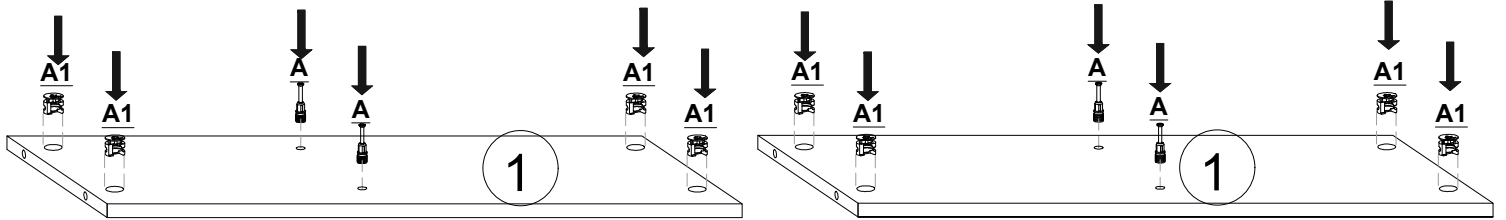
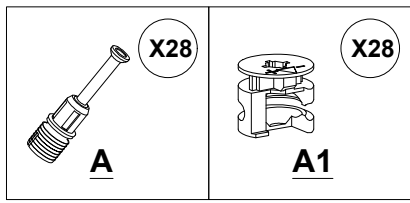


Details on the use of accessories

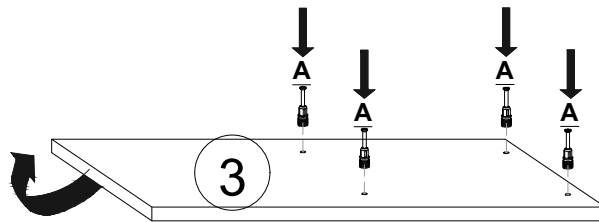
*When setting up your furniture, you can follow the placement of accessories here.



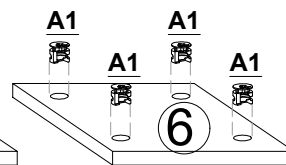
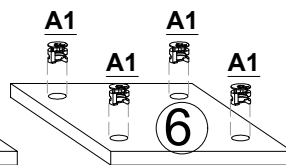
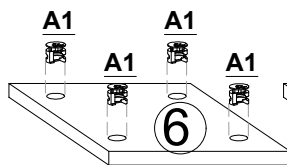
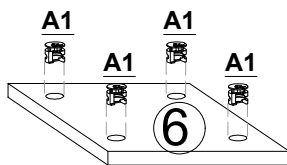
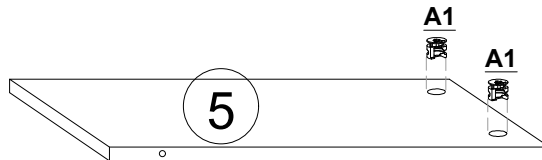
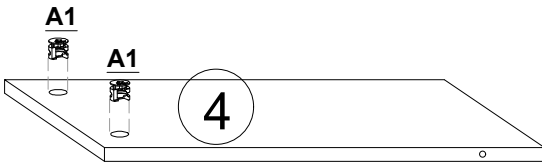
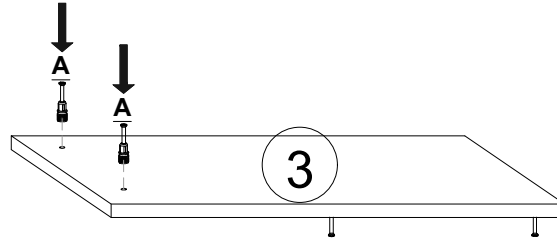
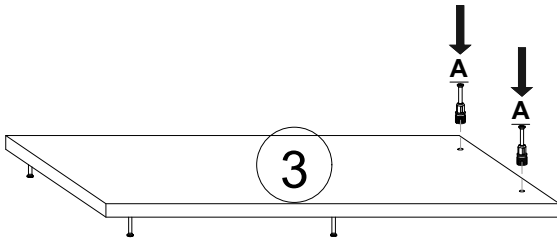




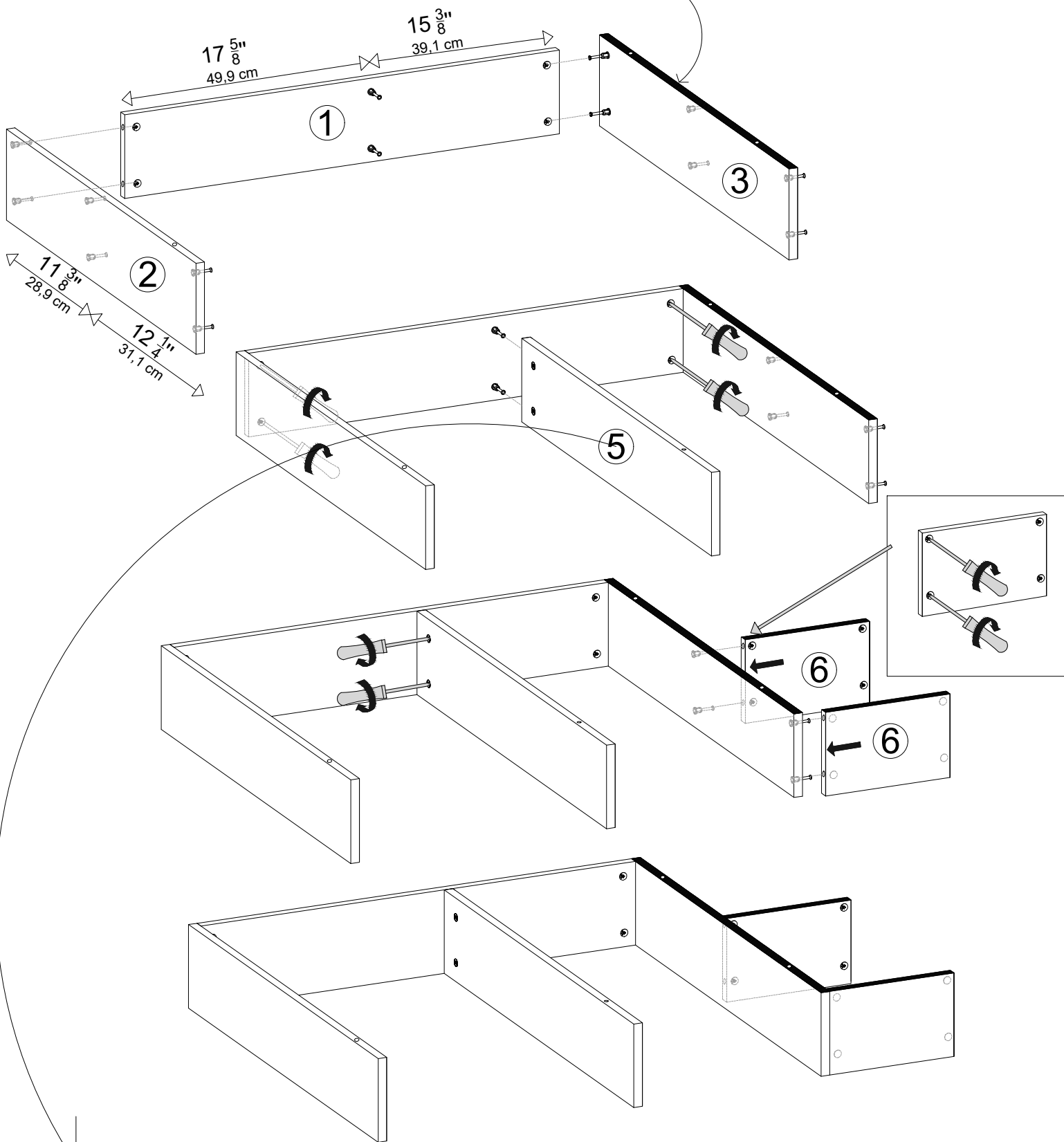
Turn it to the back side.



Turn it to the back side.



The edge without edge banding should face upward. To ensure correct orientation, please follow the hole positions.

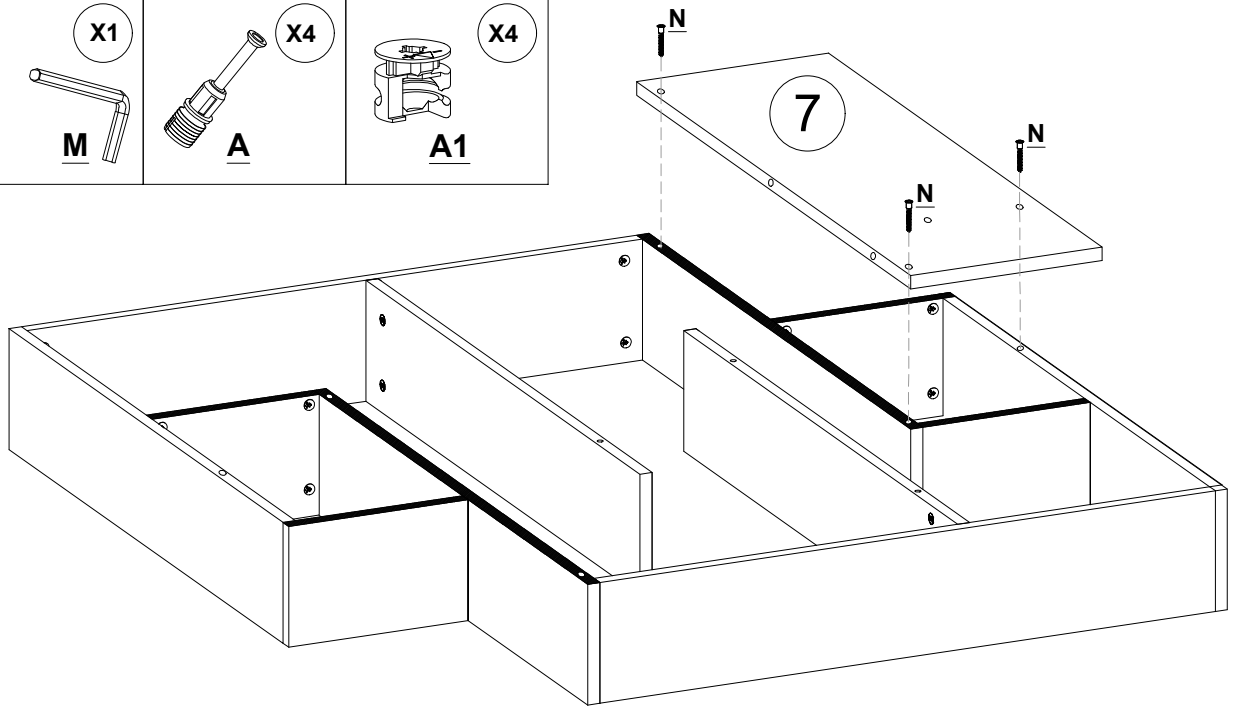
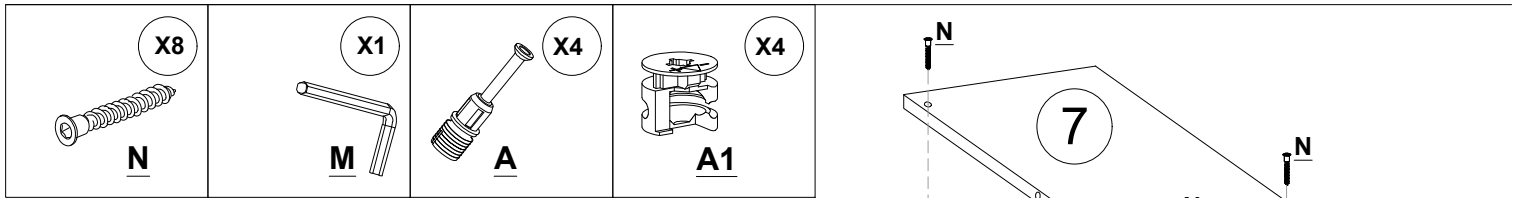
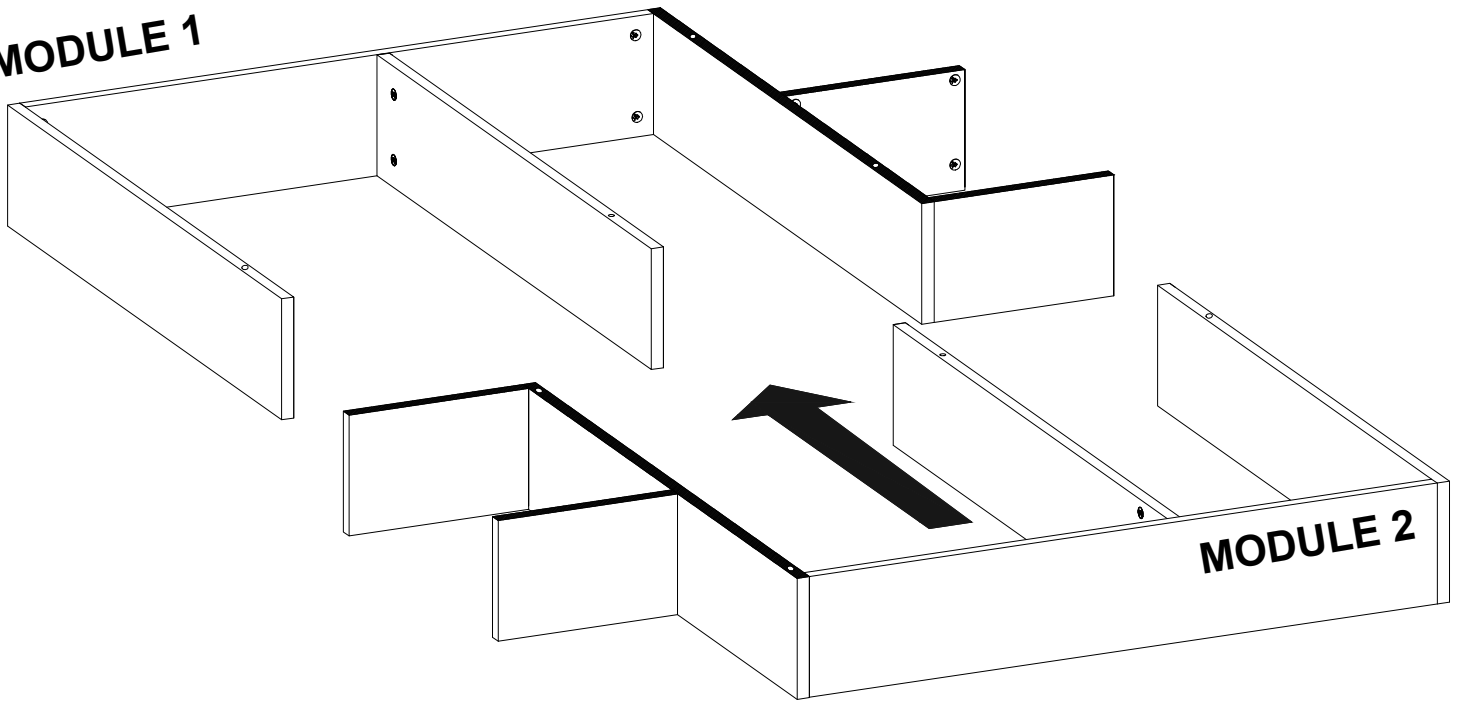


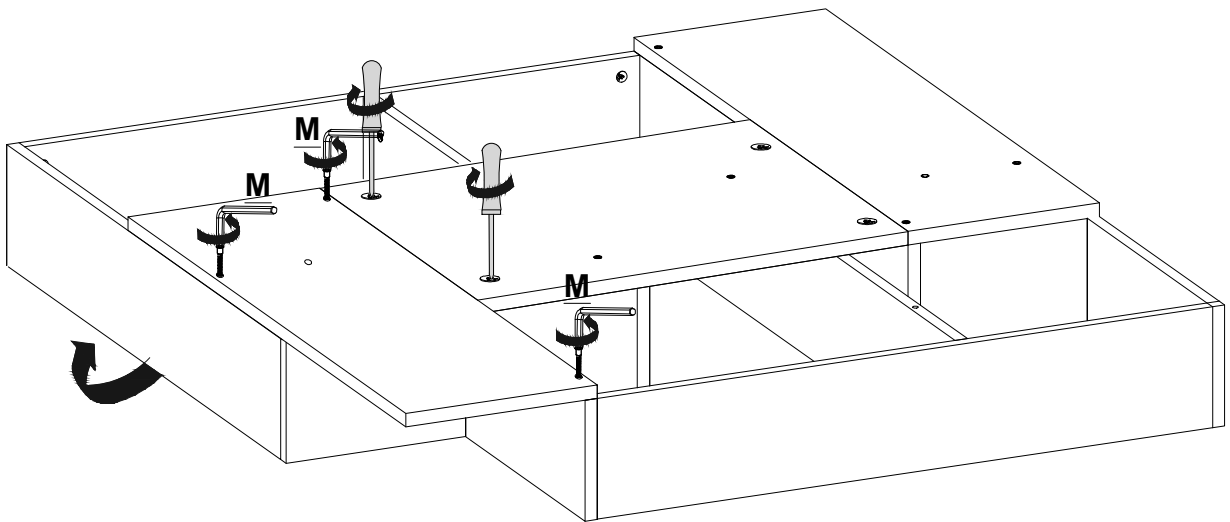
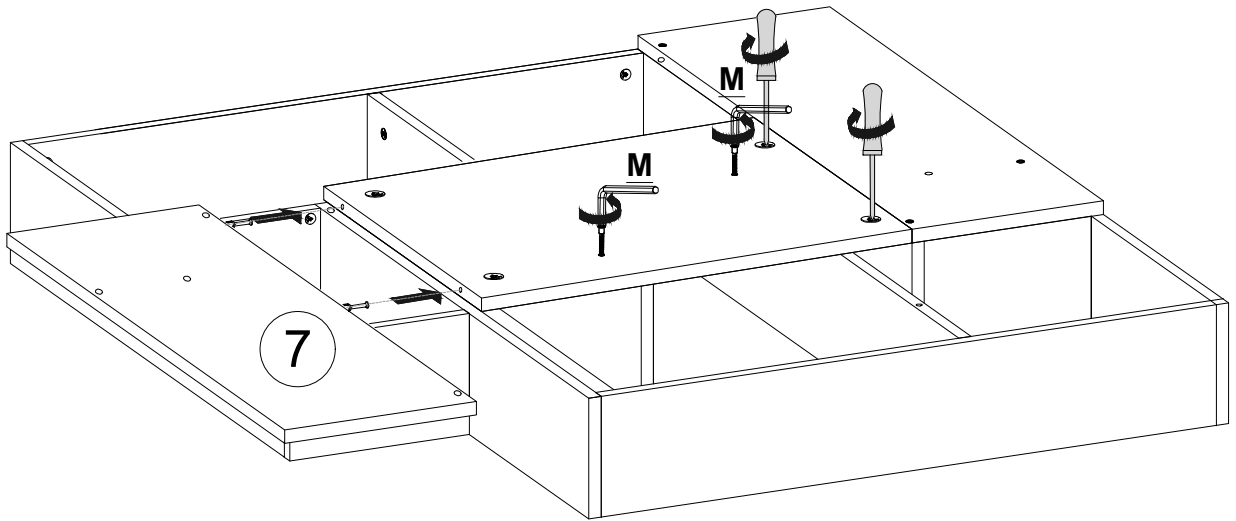
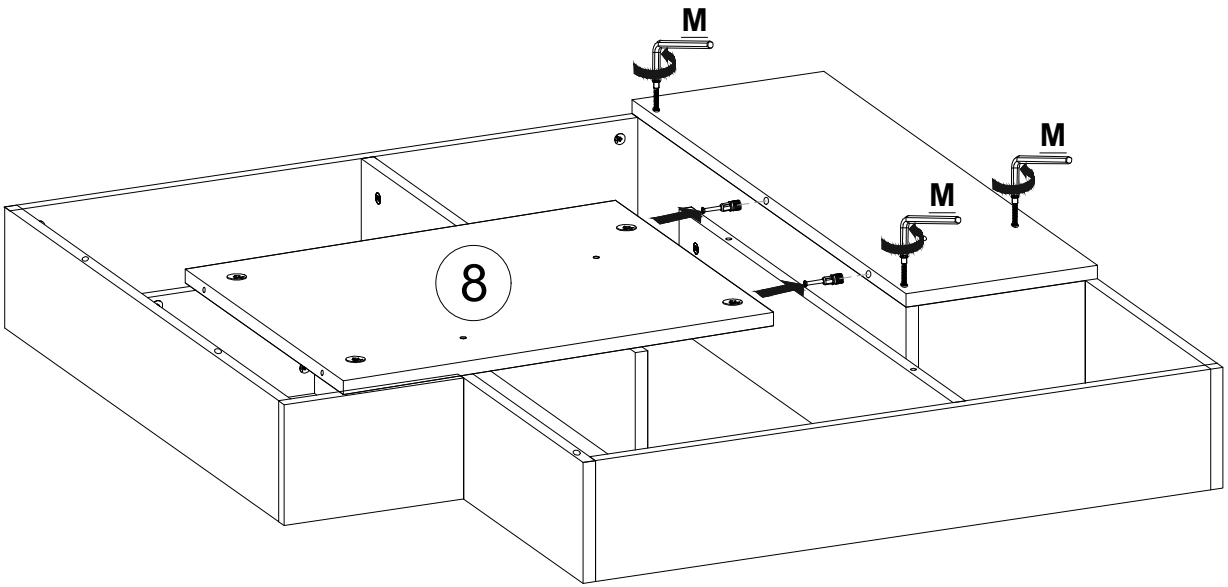
WARNING! Please read this page.

After assembling one module, assemble the other modules with the same numbers in the same way.

The only parts that differ are shelves number 4 and 5.
When assembling the other module, you should also use shelf number 4.

MODULE 1







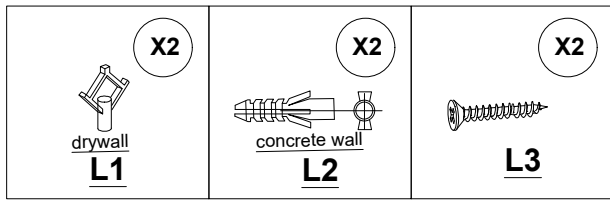
WARNING! Please read this page.

Since the product you purchased will be installed on the wall, proper positioning is important. When mounting on the wall, first mark the total measurements on the wall. Then, drill holes according to the marks and proceed with the installation. To ensure alignment in side-by-side modules, check the level with a spirit level each time.

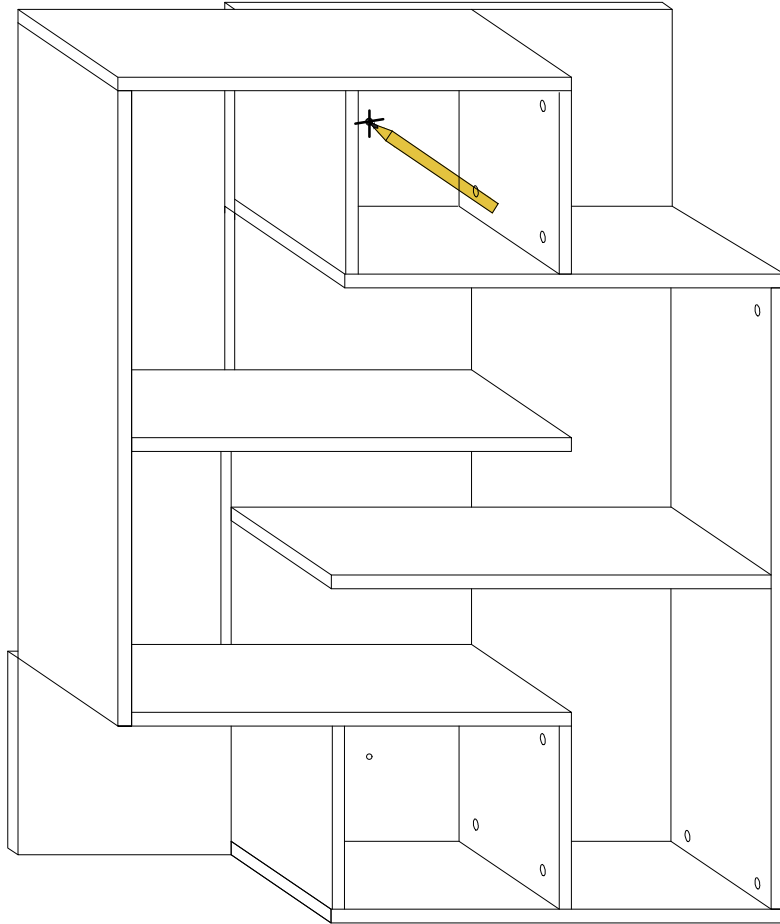
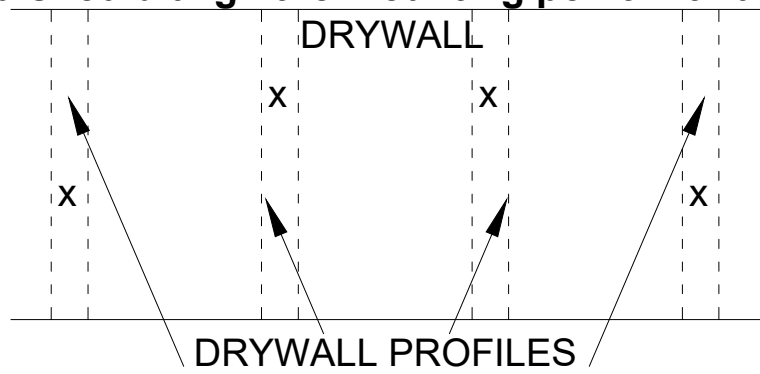
If you are uncertain about details such as wall type, thickness, or the location of electrical and plumbing installations, we recommend seeking professional installation assistance.

For ease of installation, you will need to use a power drill while following the steps below.

The box includes only drywall and concrete anchors with mounting screws. Use anchors and screws suitable for your walls. Carefully read and follow each step of the instructions.

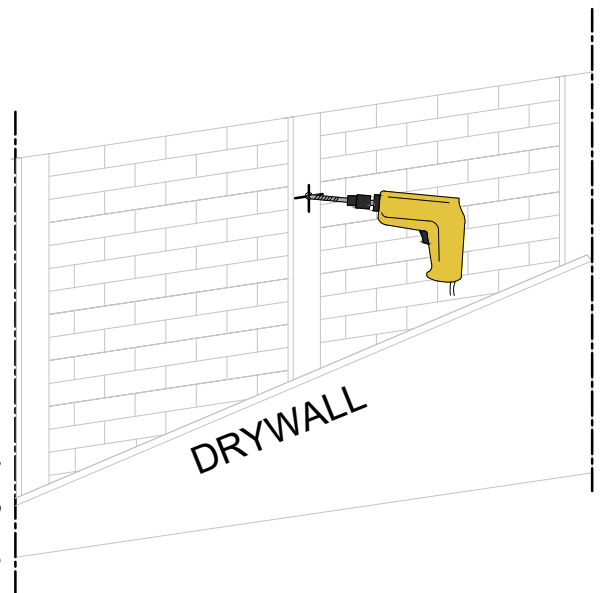


First, determine the height at which you want to mount the bookshelf. And if you have a drywall wall, you should align the mounting point with a stud.



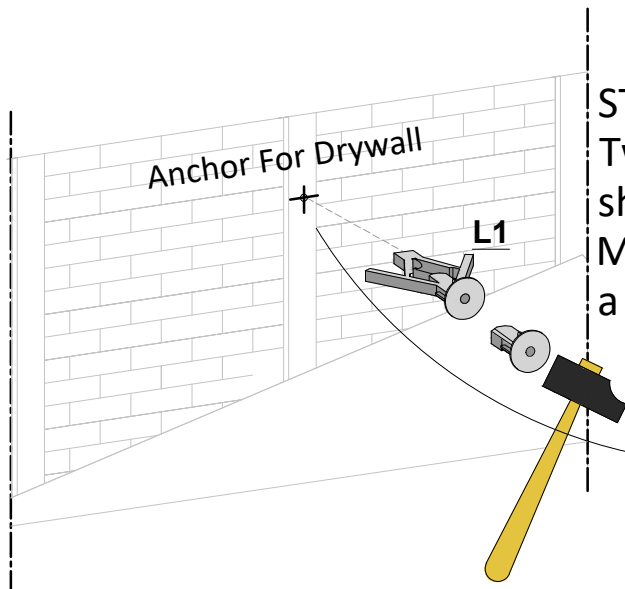
STEP1

Mark the upper hole on the wall with a pencil. If you don't have a fine-tipped pencil, you can press the L3 screw against the wall to leave a mark.



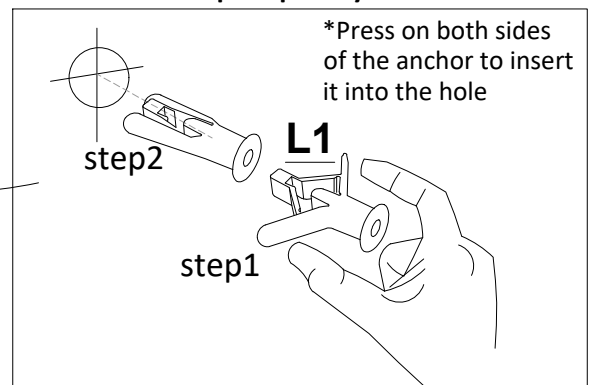
STEP2

Drill into the marked spots using a power drill.

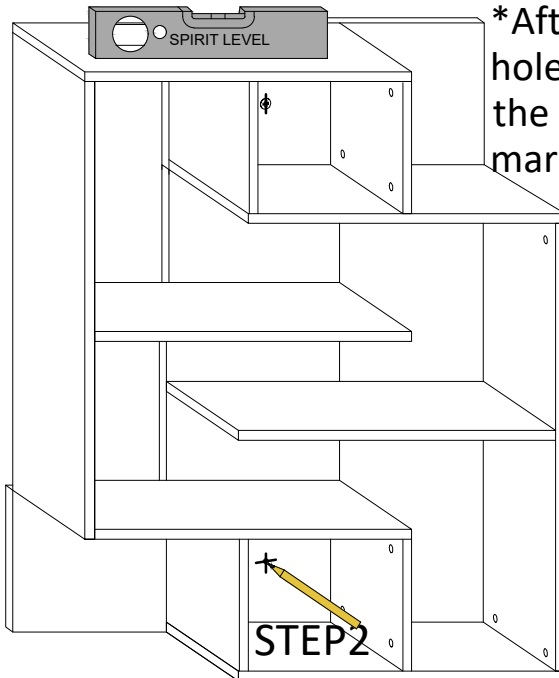
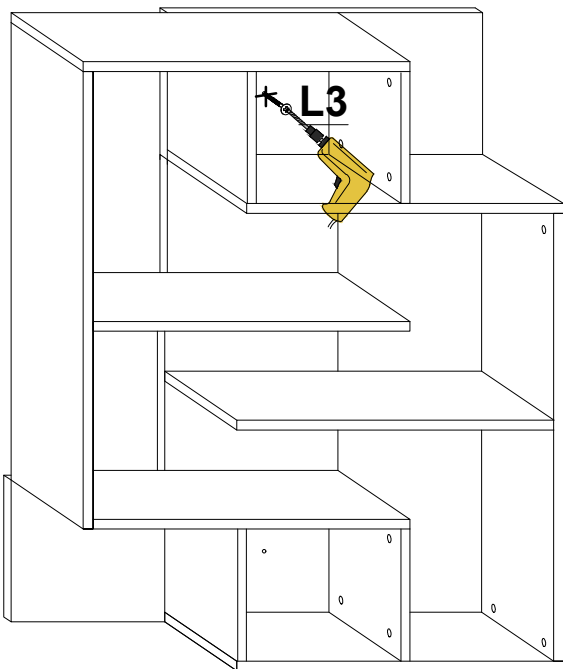


STEP3

Twist the dowel with your hand as shown and insert it into the hole. Make sure to secure it properly with a hammer.



STEP 1



*After marking the lower hole as well, slightly slide the bookshelf to drill the marked spot.

*Repeat the same steps you used for the upper hole on the lower side, and secure it as well.

