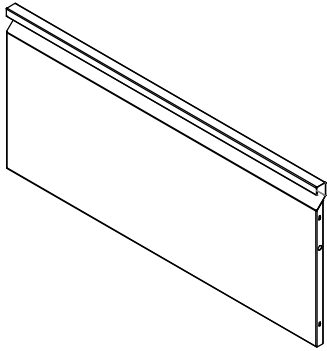


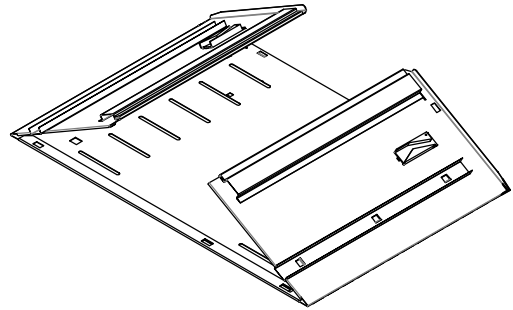
Drawer Face Panel



A

3PCS

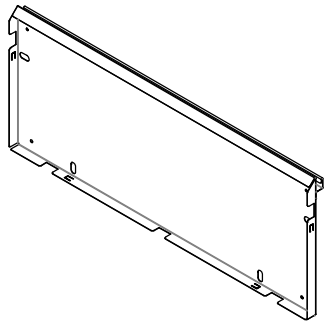
Drawer Body



B

3PCS

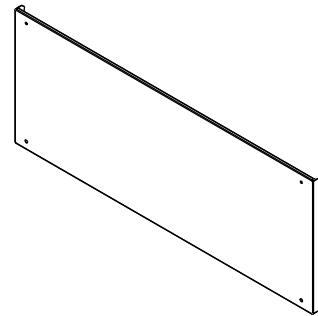
Front Guard Panel



C

3PCS

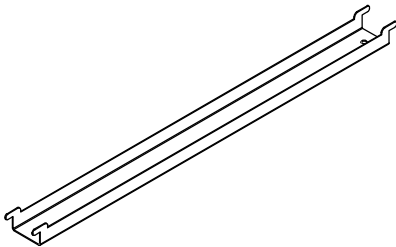
Rear Guard Panel



D

3PCS

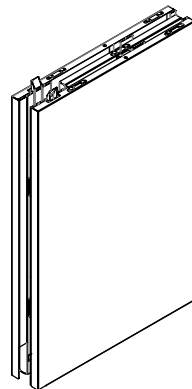
Hook Rail



E

3PCS

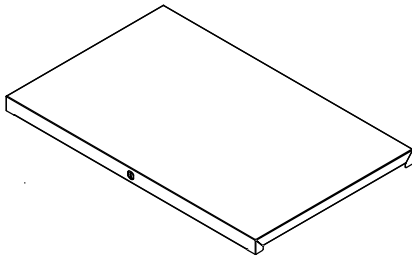
Folding Cabinet



F.G.H.I

1PC

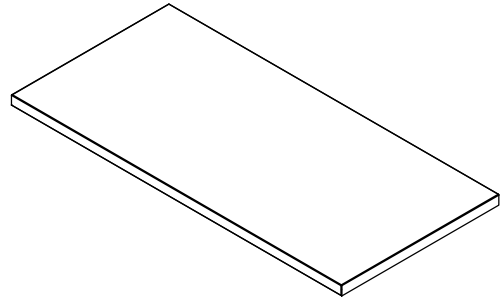
Top Board



J

1PC

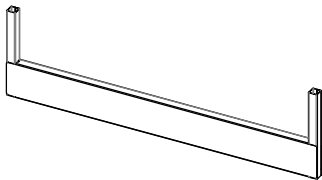
Base Board



K

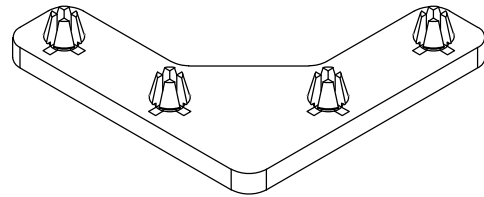
1PC

Underside Frame



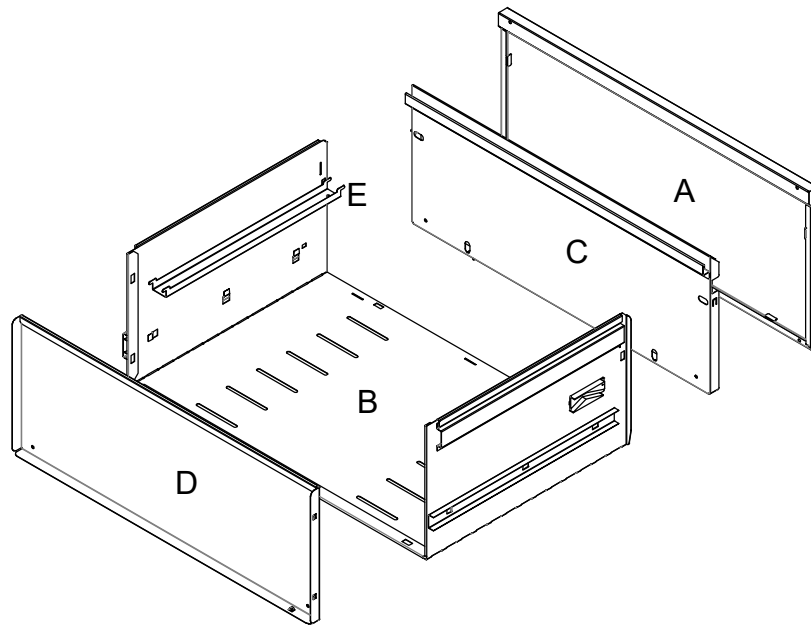
L

1PC

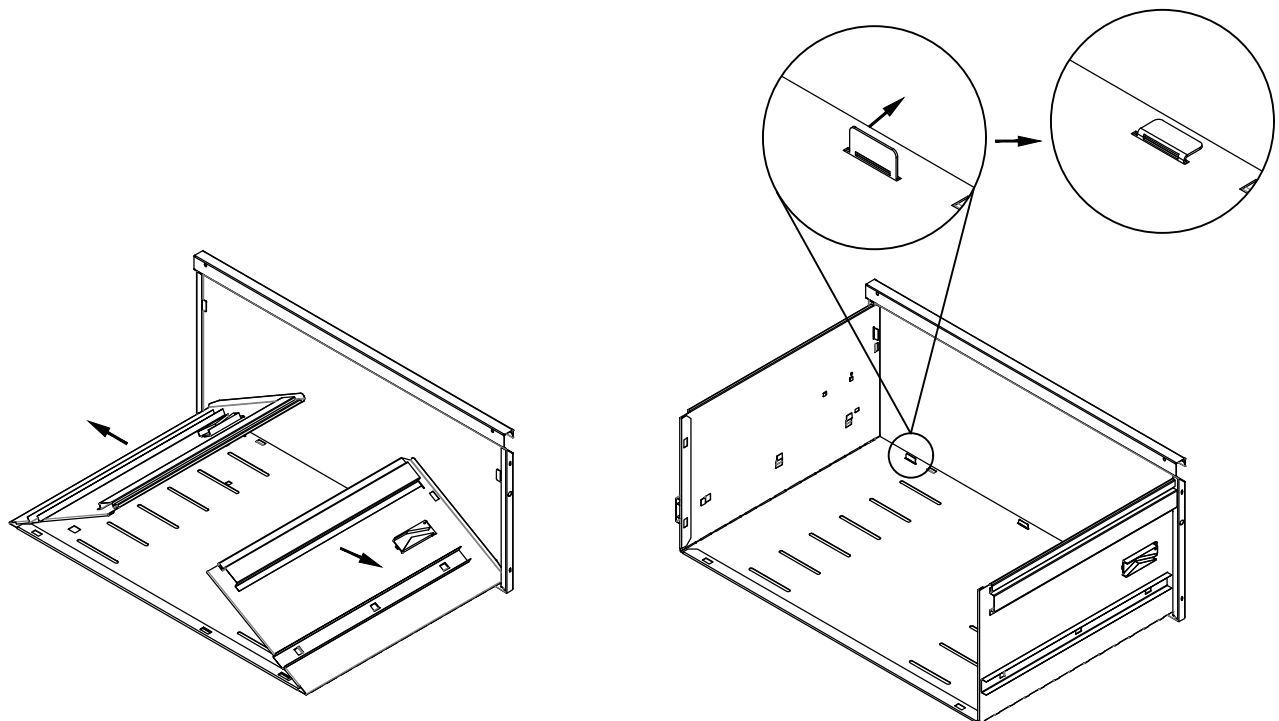


M

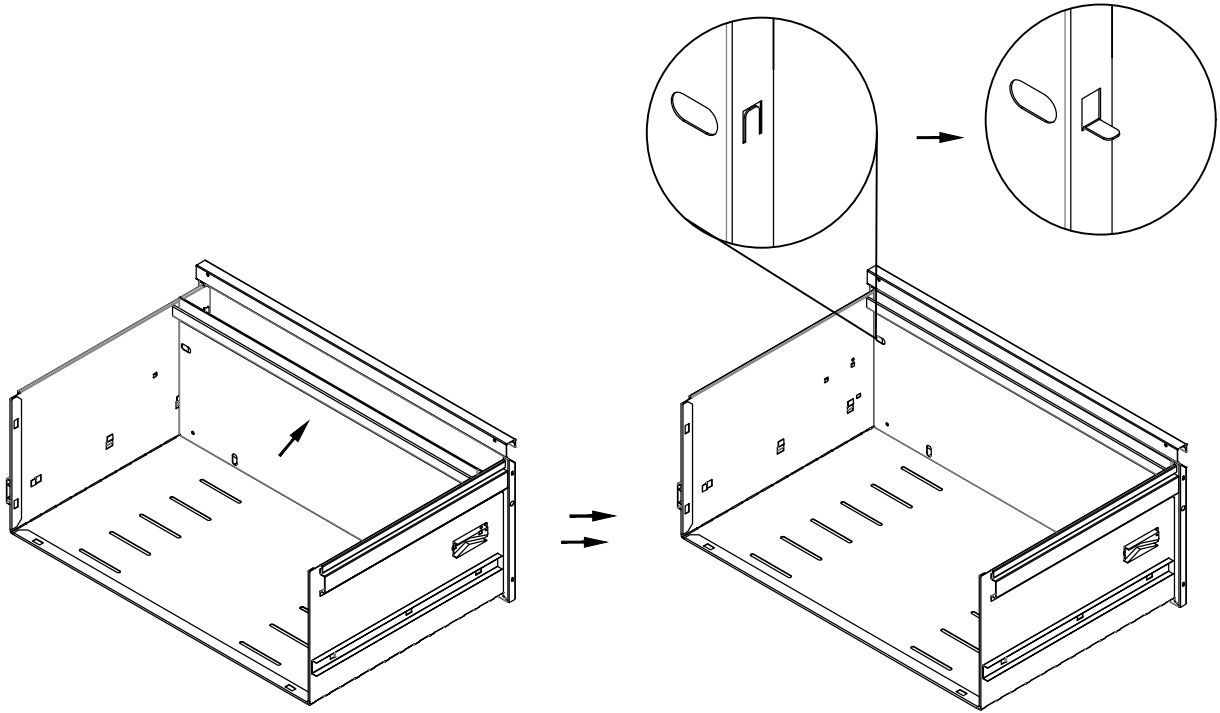
4PCS



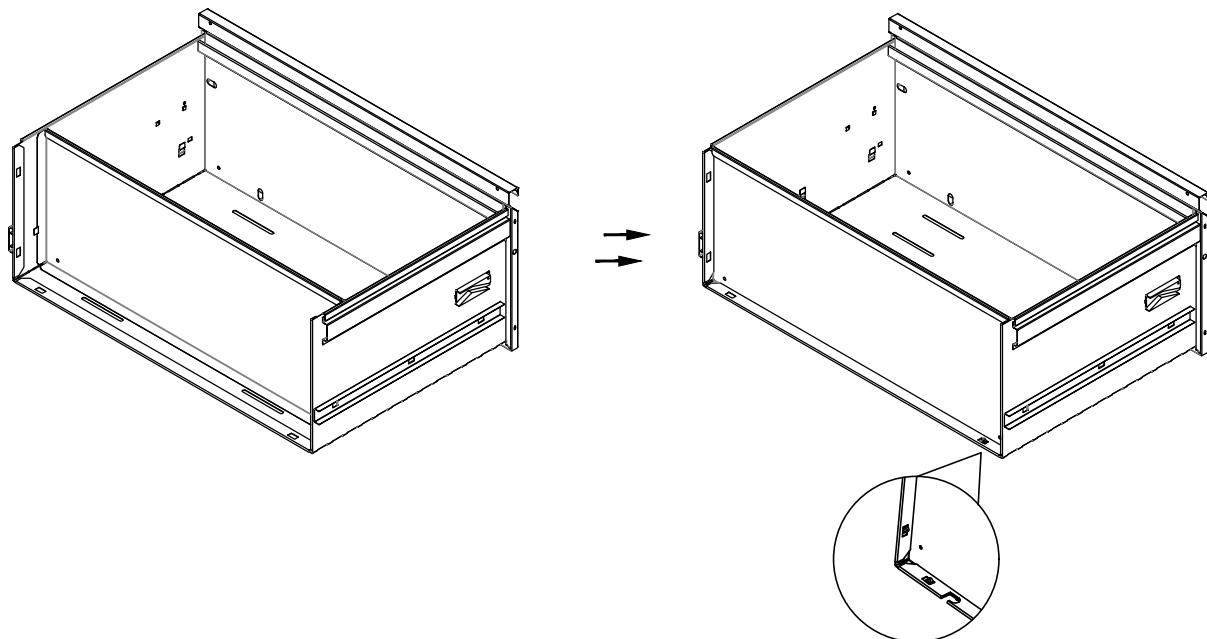
Step1: Install Drawer Face Panel (A) and Drawer Body (B) and ensure that five clips on the panel to insert the Drawer Body (B) and fold the snap joint .

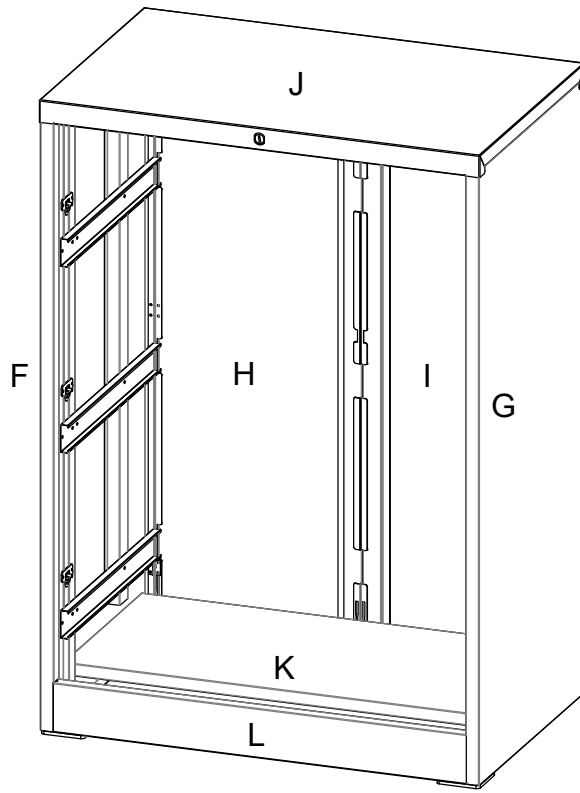


Step2:Install Front Guard Panel(C)and use the screwdriver to jack up four limitswitch buckles on Front Guard Panel(C)

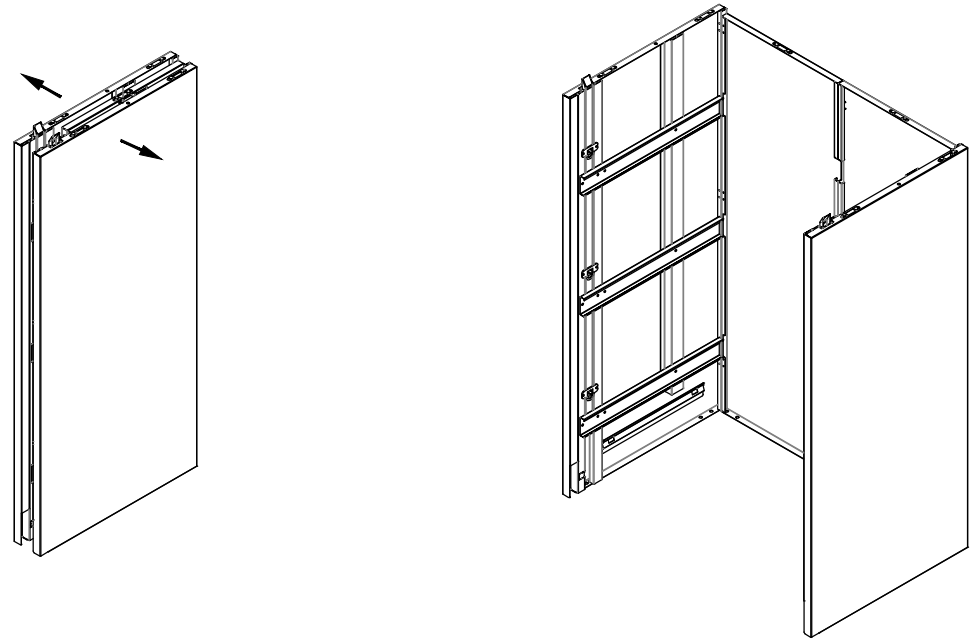


Step3:Install the Rear Guard Pabel(D)and ensure that the Rear Guard Pabel(D)is clipped into the Drawer Body (B) .

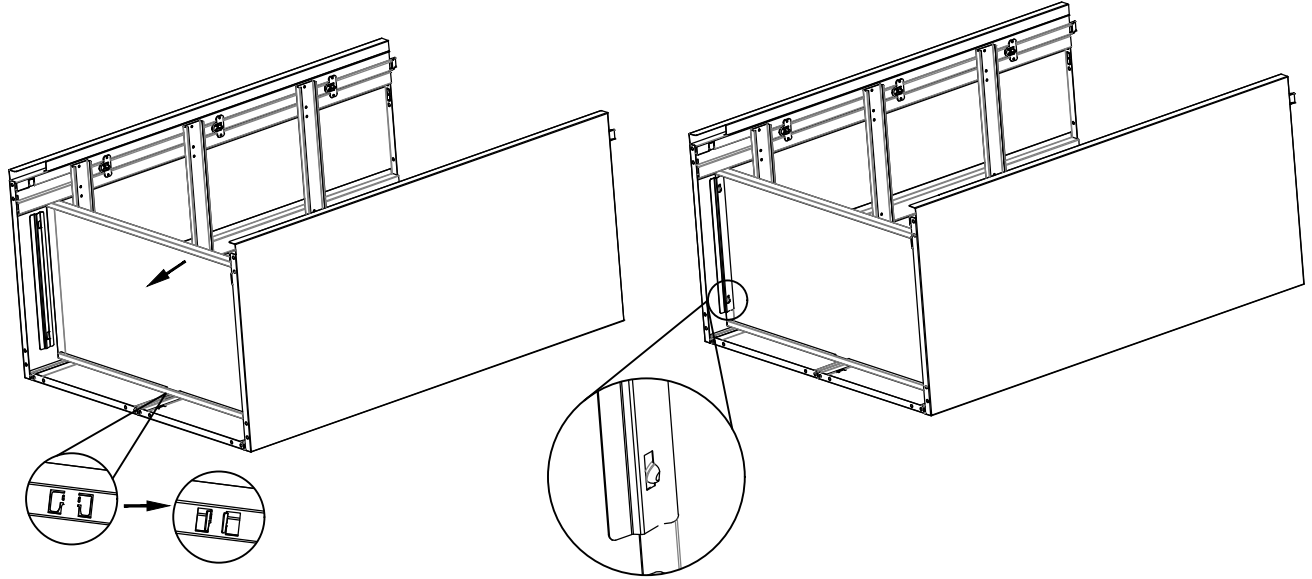




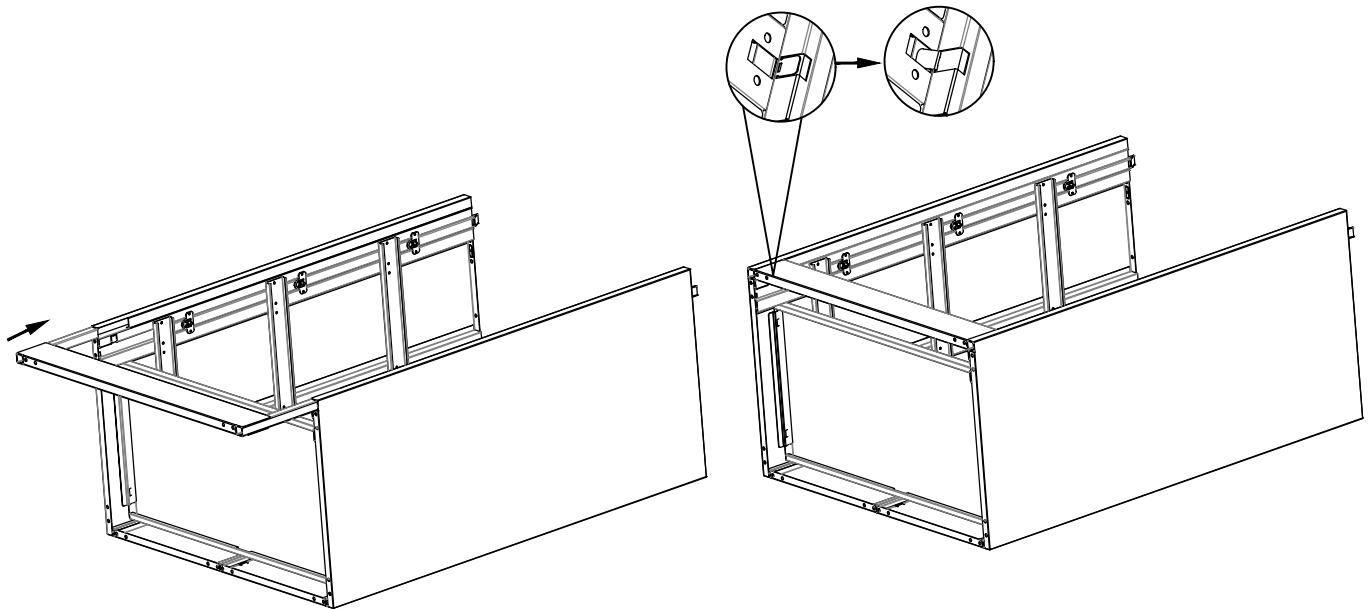
Step1:Open Folding Cabinet



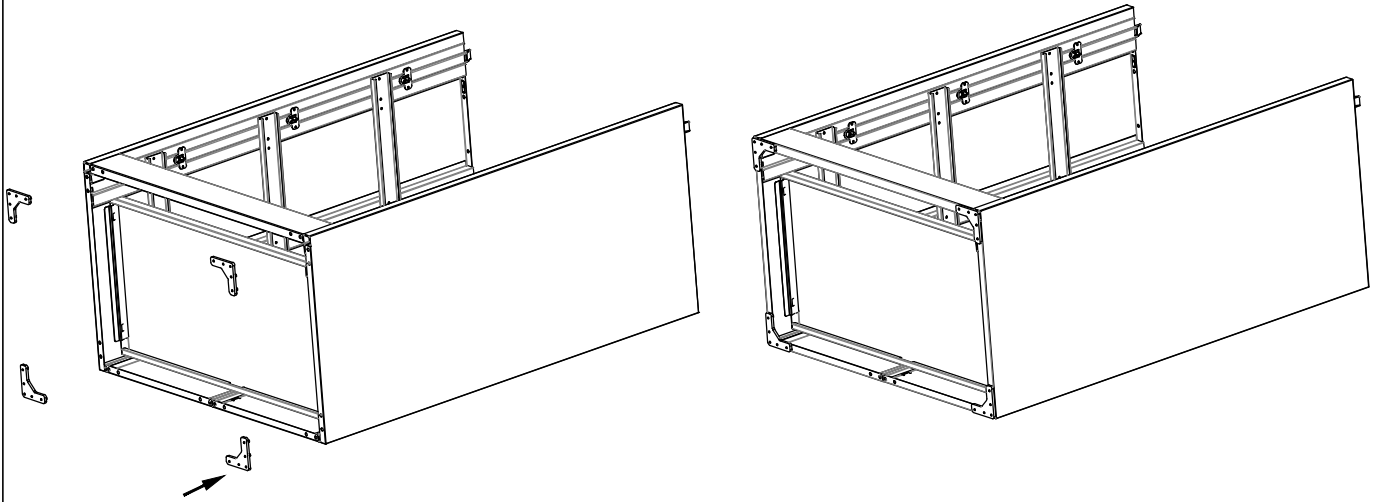
Step2 : Install the Base Board (K) ; first of all,hold up the Base Board (K)and the clip shall form a right angle.Ensure that it can be clipped into the card slot on the backand two sides of the Base Boards (K) can be clipped into the side plates.



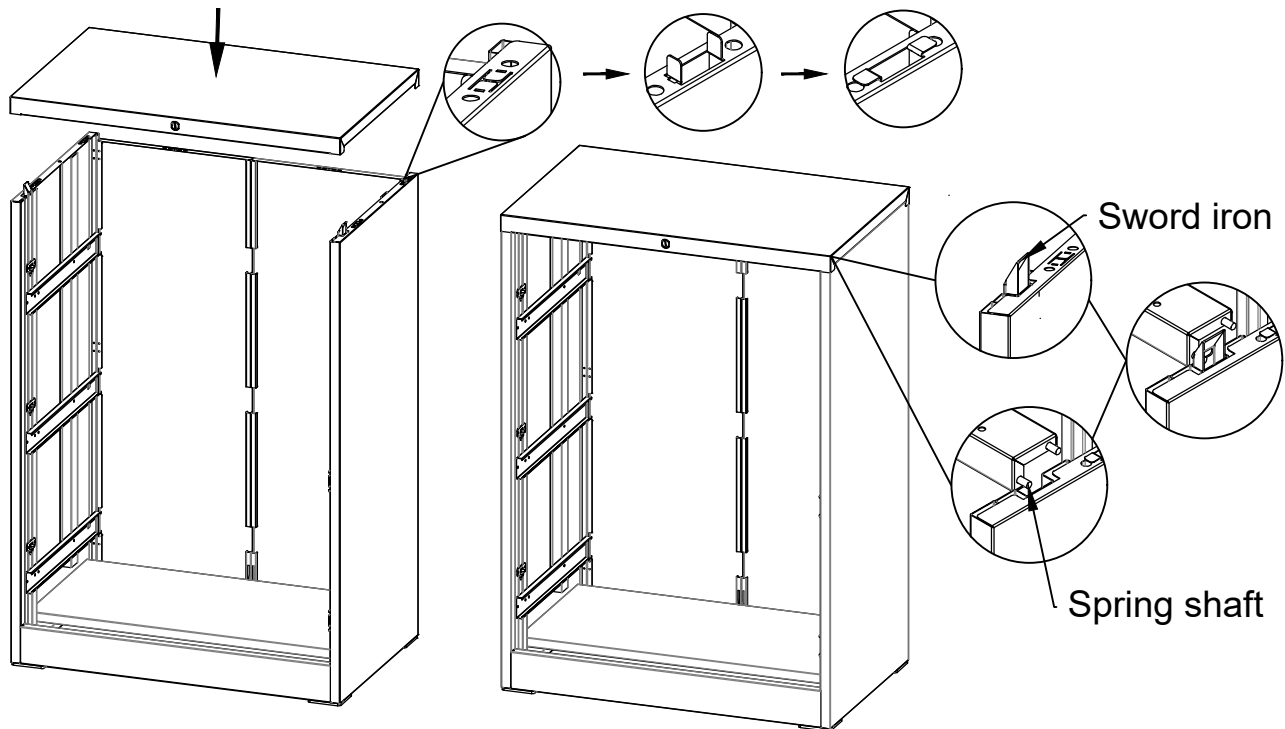
Step3:Install Underside Frame (L) .Insertthe Underside Frame (L) to the left side (F)and the right side (G) and push clips on the left and right side frames into theUnderside Frame.



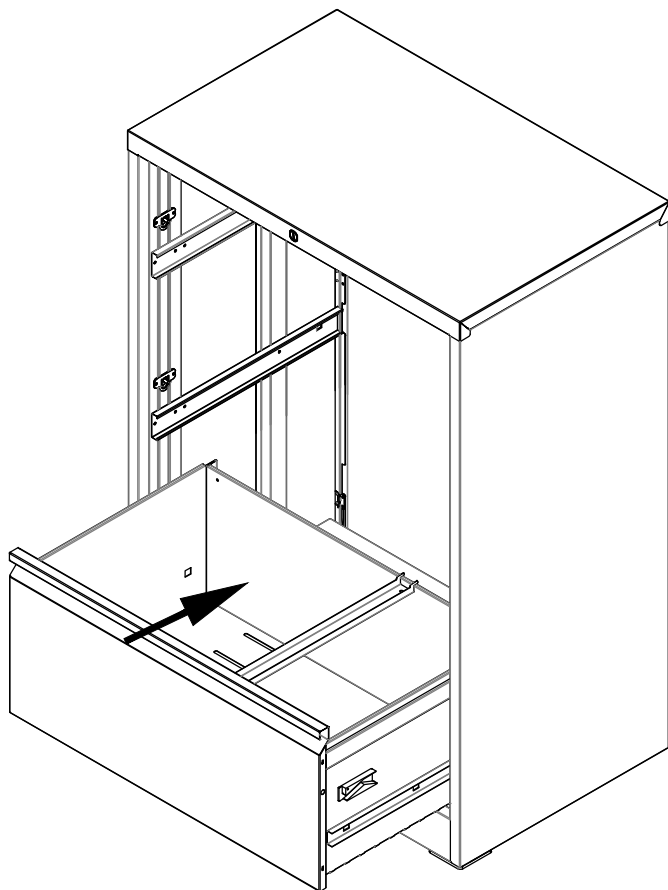
Step4:Install four floor protectors(M).



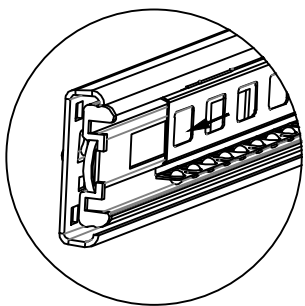
Step 5 : Install Top Board (J) ; fold straight clips on the left side (F) , the right side (G),the left back (H) and the right back (I) .After it is clipped to the Top Board slot , flatten the clip . Ensure that the spring shaft of the Top Board linkage rod can be clipped into interlocking rods on the left side and the right side.



Step6:install drawers to the body of cabinet



Must step: A First slide the steel ball to the front of the cabinet's outer slide.



B: Insert the inside railway course on both sides of drawer on the outside railway course of cabinet at the same time. Two people must put the drawer flat and insert it slowly and synchronously. After inserting it to the end, pull it out slowly twice, the slide track works normally. If it works fails, please follow the slide track removal instructions, open it and reinstall it.

