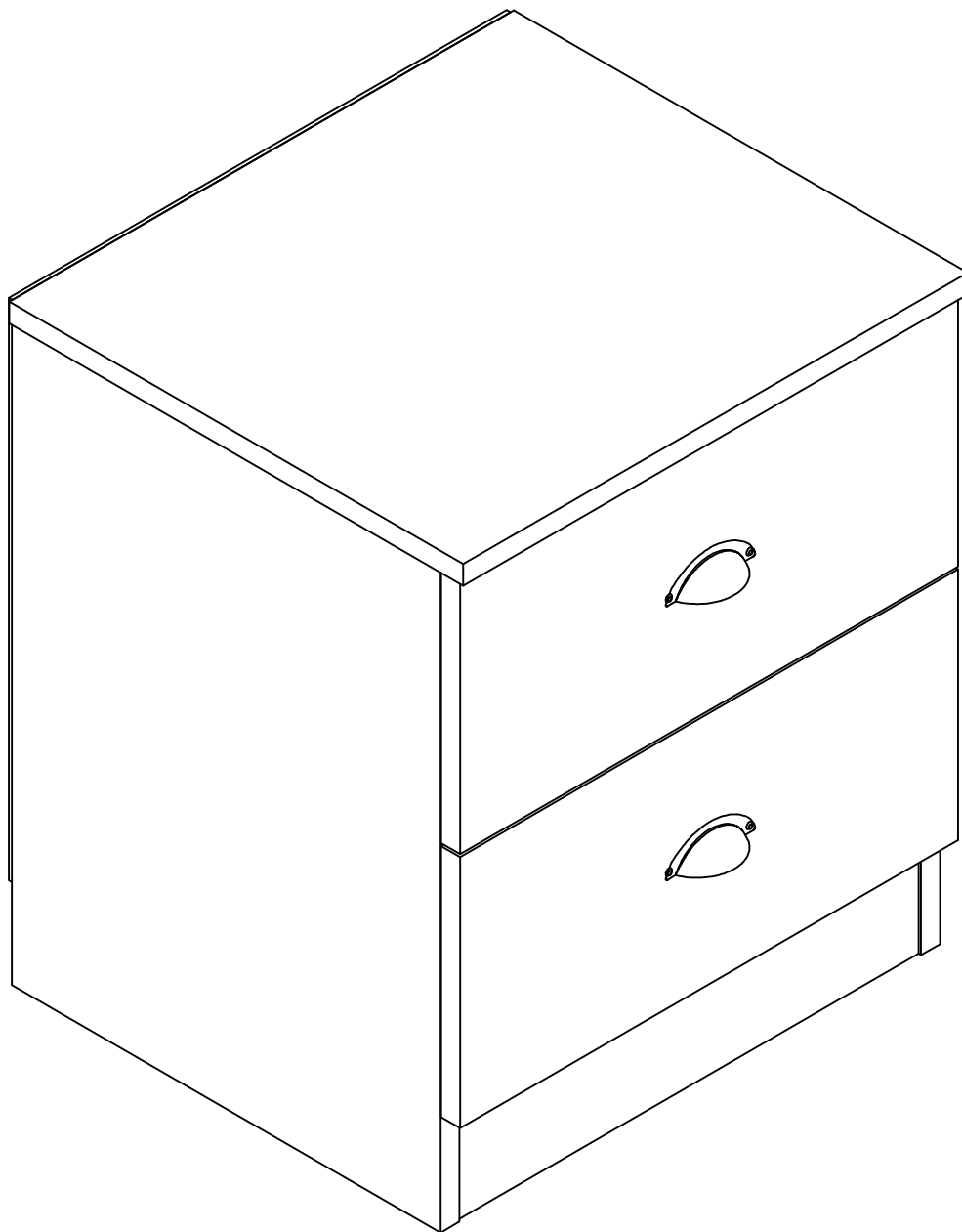


# ESHER 2 DRAWER BEDSIDE

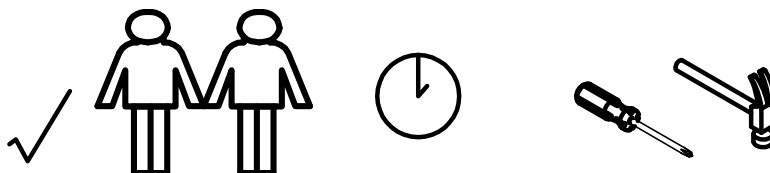
ASSEMBLY INSTRUCTION - Please Keep For Future Reference



# Safety and Care Advice

**IMPORTANT - Please Read This Instruction Carefully Before Assembly.**

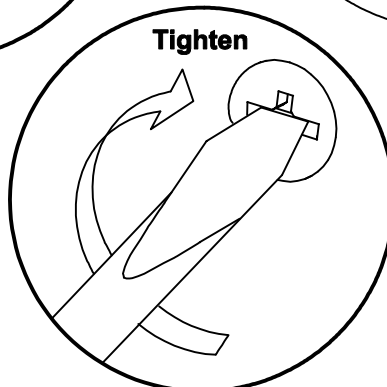
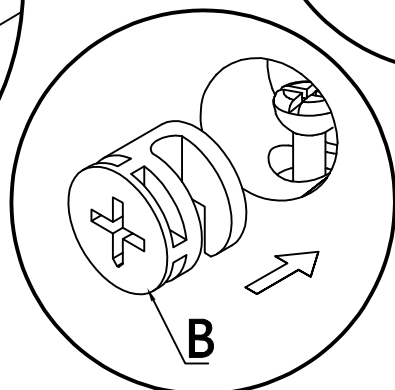
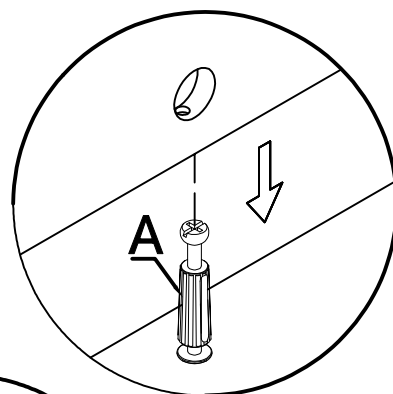
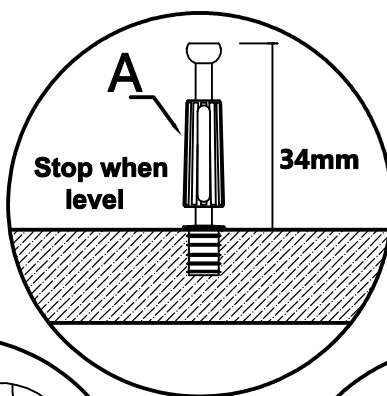
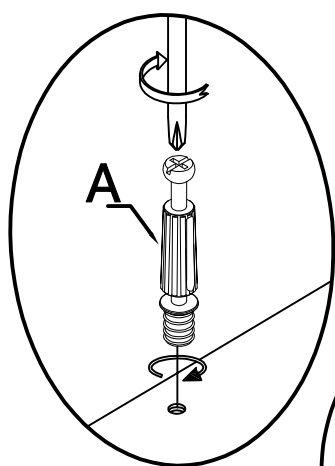
- Check you have all the components and tools listed on page 3.
- Do not stand or put weight on the product, this could cause damage.
- Do not use power drill/drivers for assembly, or the unit may be damaged.
- Remove all settings from the plastic bags and separate them into their groups.
- Assemble the item as close to it's intended position (in the same room) as possible.
- Assemble on a soft level surface to avoid damaging the unit.
- Dispose of all packaging carefully and responsibly.
- Keep children and animals away from the work area, small parts could choke if swallowed.
- Parts of the assembly will be easier with 2 people.



## CARE and MAINTENANCE

- Only clean using a damp cloth and mild detergent, do not use bleach or abrasive cleaners.
- From time to time check that there are no loose screws on this unit.
- This product should not be discarded with household waste. Take to your local authority waste disposal center.

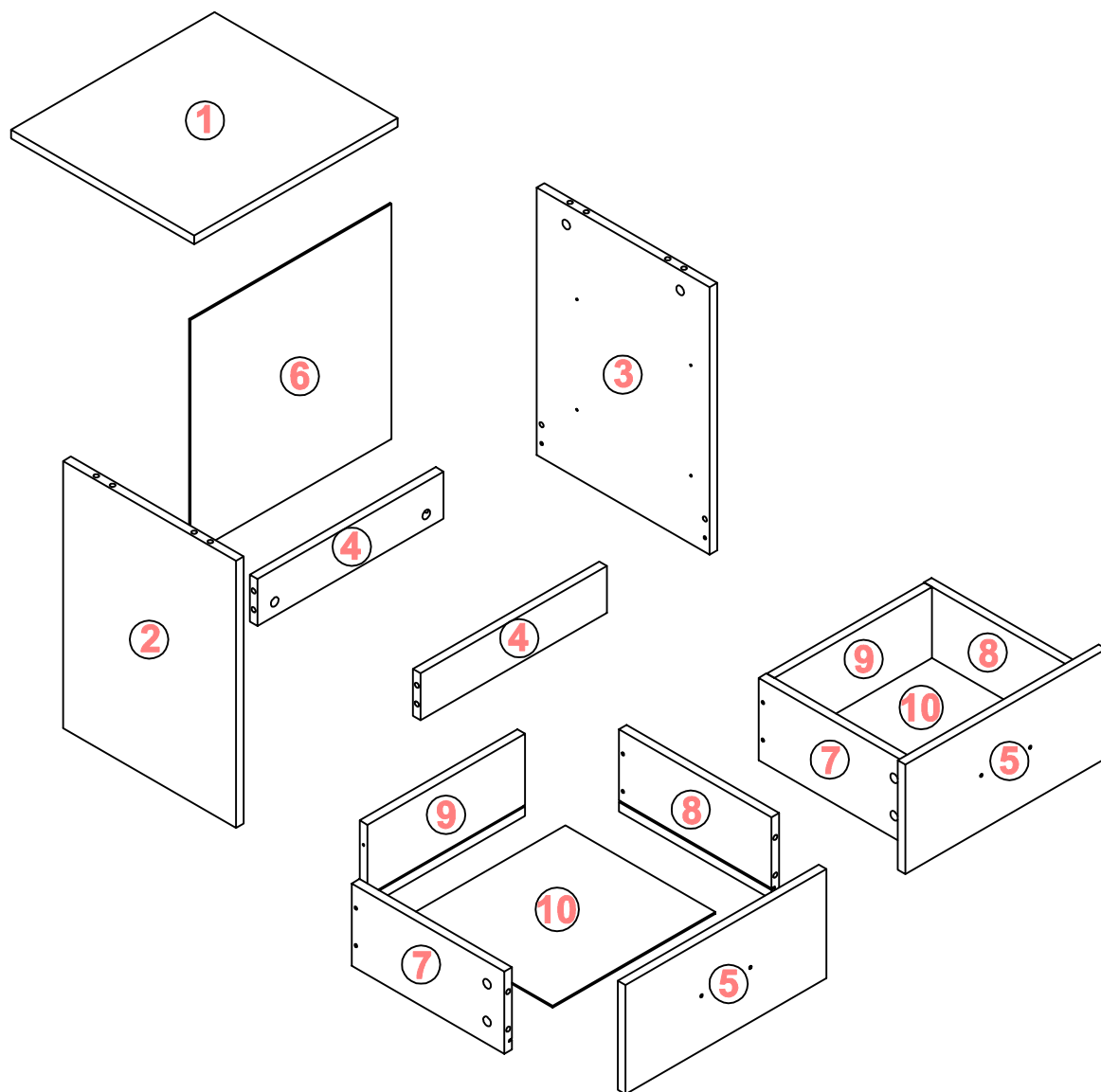
## General Hints & Tips

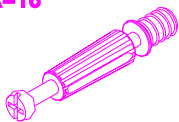
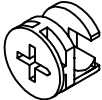
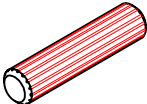
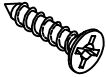
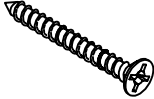




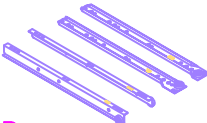


# Components and Tools

**IMPORTANT - Please Check If You Have All The Components and Tools.**

**Note: The quantities below are the correct amount to complete the assembly. In some cases more pieces may be supplied than are required.**

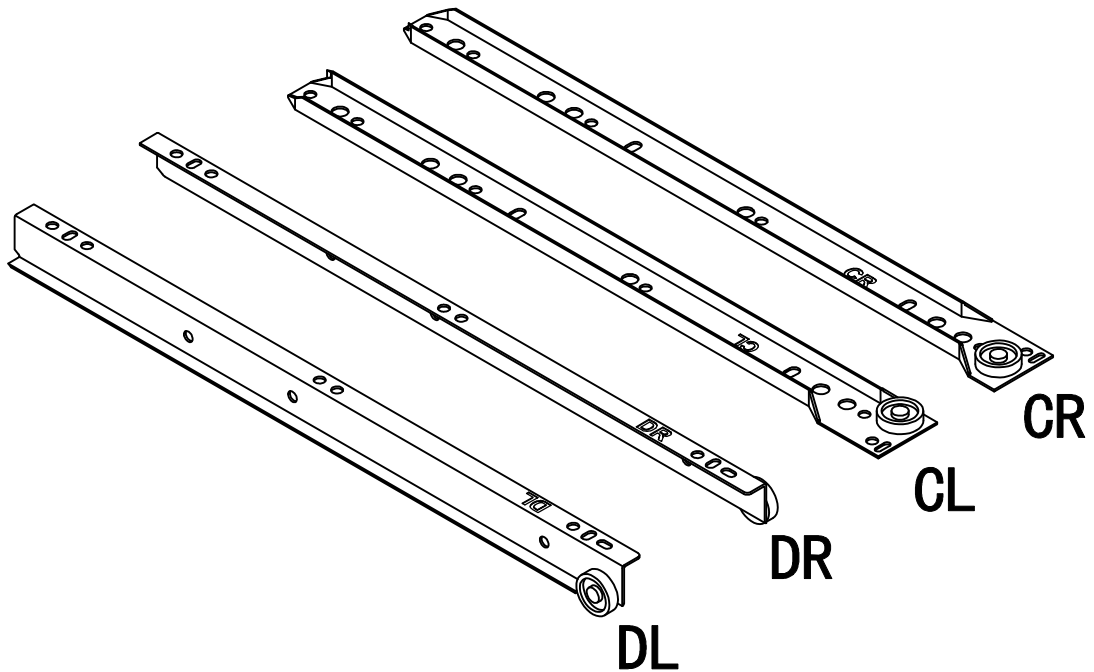


<p><b>A=16</b></p>  <p><b>Peg M6*34mm</b></p>	<p><b>B=16</b></p>  <p><b>Lock M15*12mm</b></p>	<p><b>C=8</b></p>  <p><b>Dowel M8*30mm</b></p>	<p><b>D=16</b></p>  <p><b>Screw M3.5*14mm</b></p>	<p><b>E=8</b></p>  <p><b>Screw M4*38</b></p>	<p><b>F=4</b></p>  <p><b>Plastic Feet</b></p>
<p><b>G=8</b></p>  <p><b>Pin</b></p>	<p><b>H=4</b></p>  <p><b>Screw M4*12</b></p>	<p><b>I=2</b></p>  <p><b>Handle 69</b></p>	<p><b>CR CL DR DL=2</b></p>  <p><b>Drawer Runner(12")</b></p>		

# Drawer Runner Instruction

**IMPORTANT - Please Read It Carefully.**

**NOTE: 1 PAIR DRAWER RUNNER INCLUDES 4 PIECES.**



## Fittings (not to scale)

NO.	DESCRIPTION	QTY		
CR	Outer Drawer Runner - Right	2PCS		
CL	Outer Drawer Runner - Left	2PCS		
DR	Inner Drawer Runner - Right	2PCS		
DL	Inner Drawer Runner - Left	2PCS		

# Assembly Instruction

## Step 1

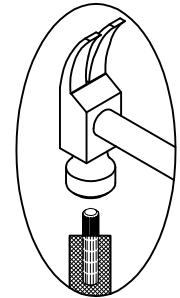
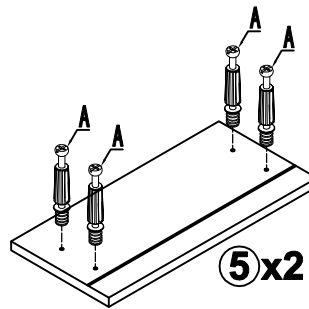
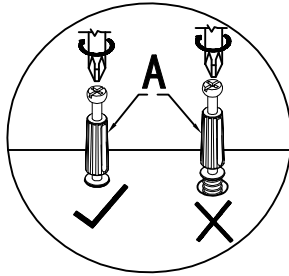
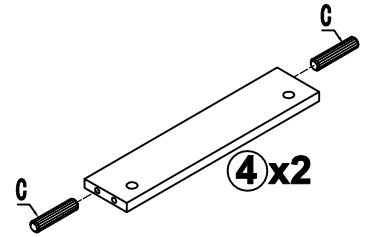
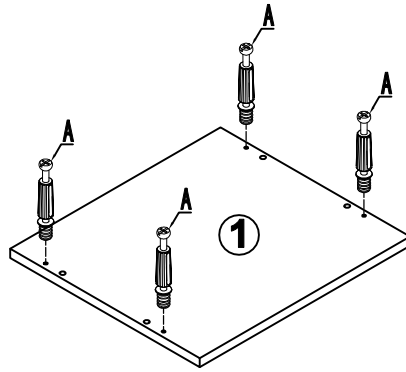
A=12

C=4



Peg

Dowel



## Step 2

A=4

C=4

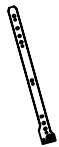


Peg

Dowel

D=8

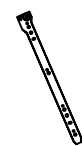
CL=2



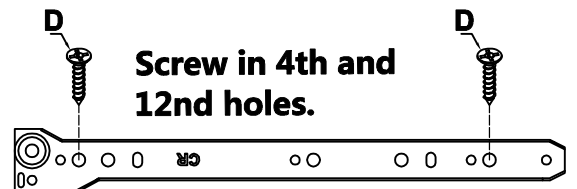
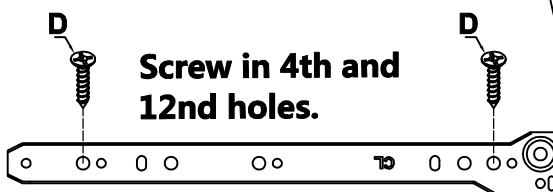
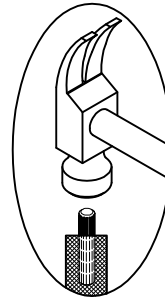
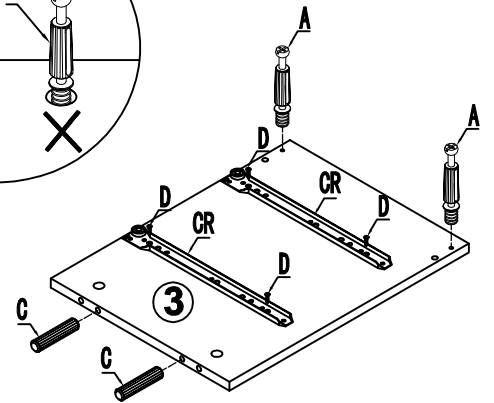
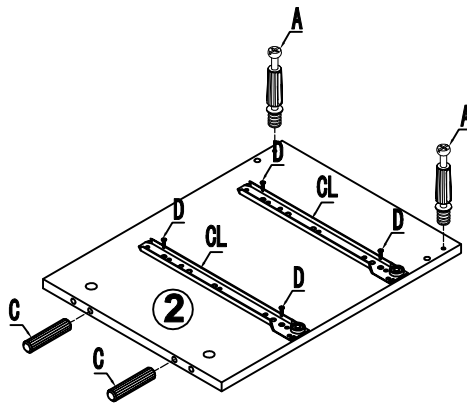
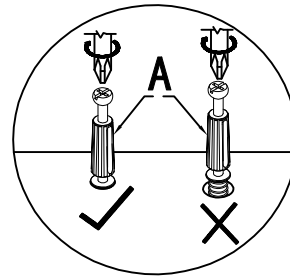
Screw  
M3.5\*14mm

Runner

CR=2



Runner



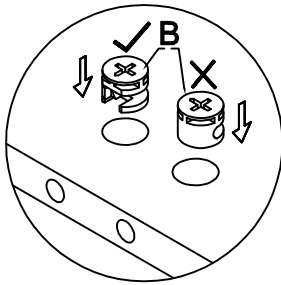
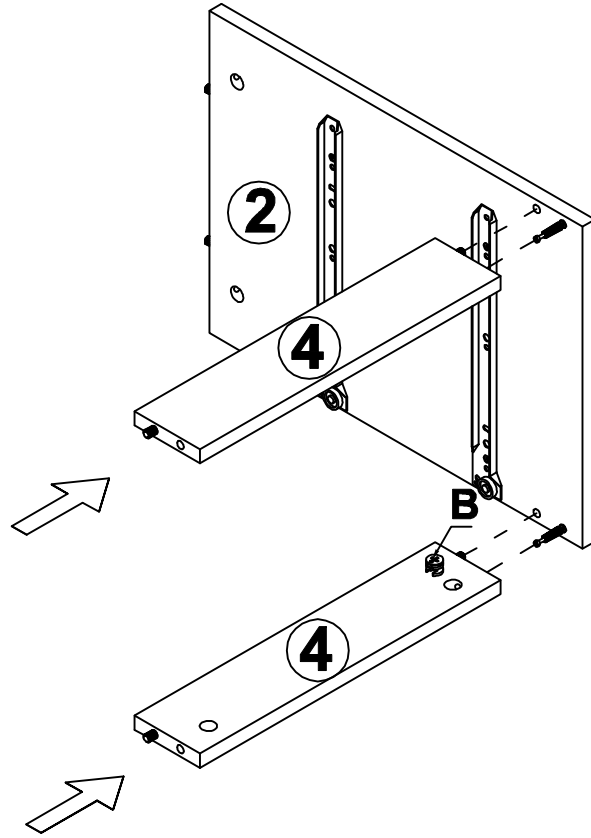
# Assembly Instruction

## Step 3

B=2



Lock  
M15\*12

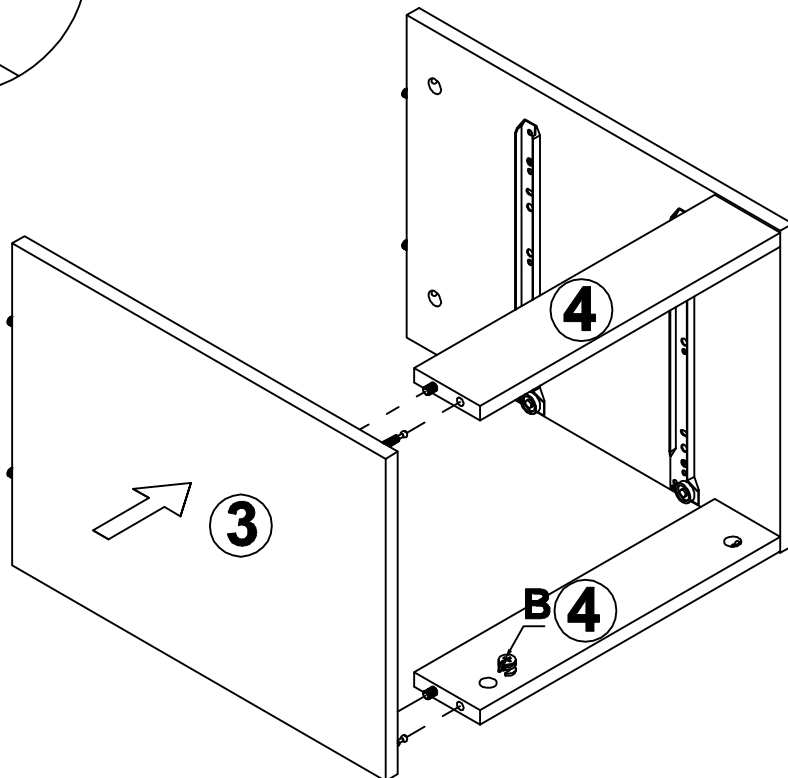


## Step 4

B=2



Lock  
M15\*12



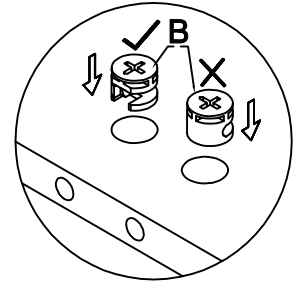
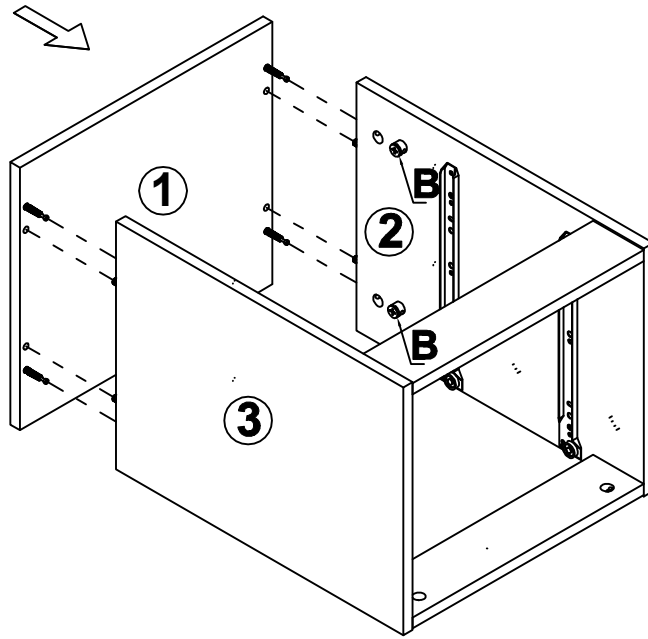
# Assembly Instruction

## Step 5

B=4



Lock  
M15\*12



## Step 6

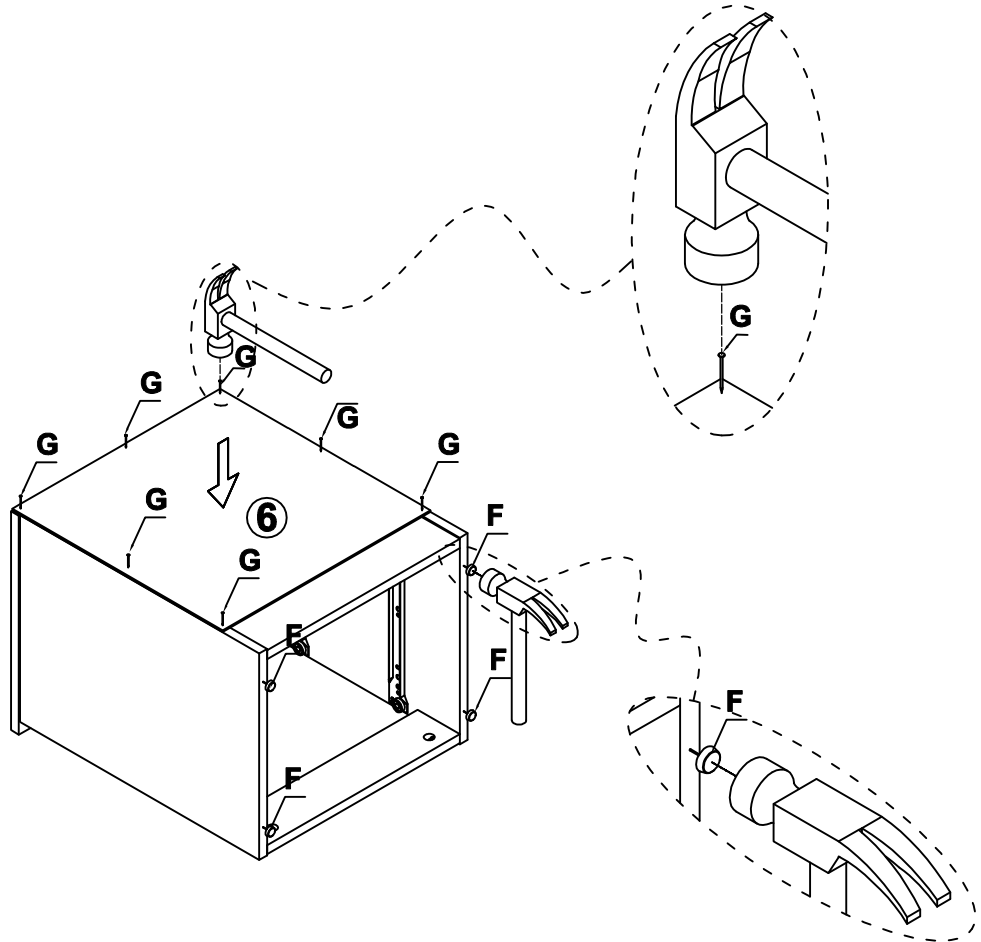
G=8

F=4



Pin

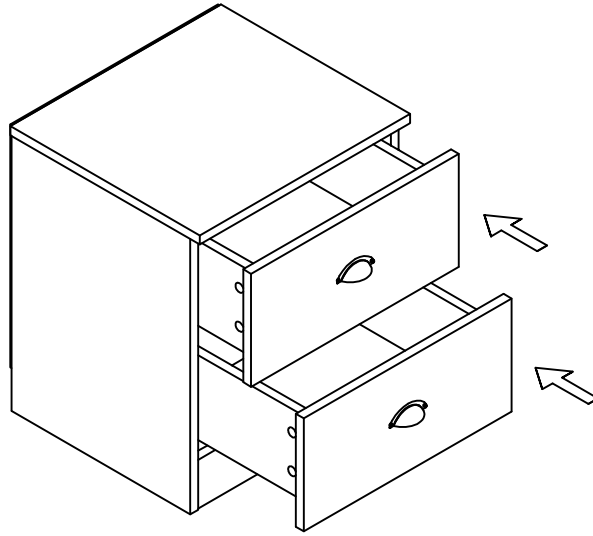
Plastic  
Feet



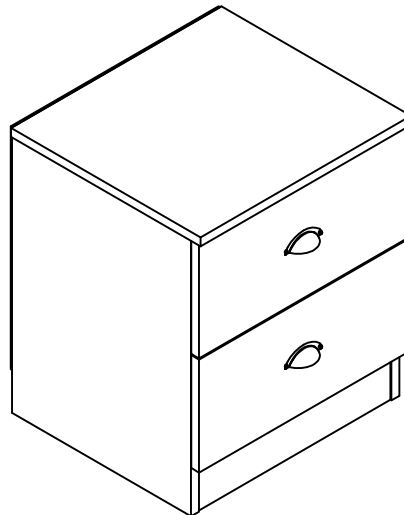


# Assembly Instruction

## Step 9



## Step 10



OK