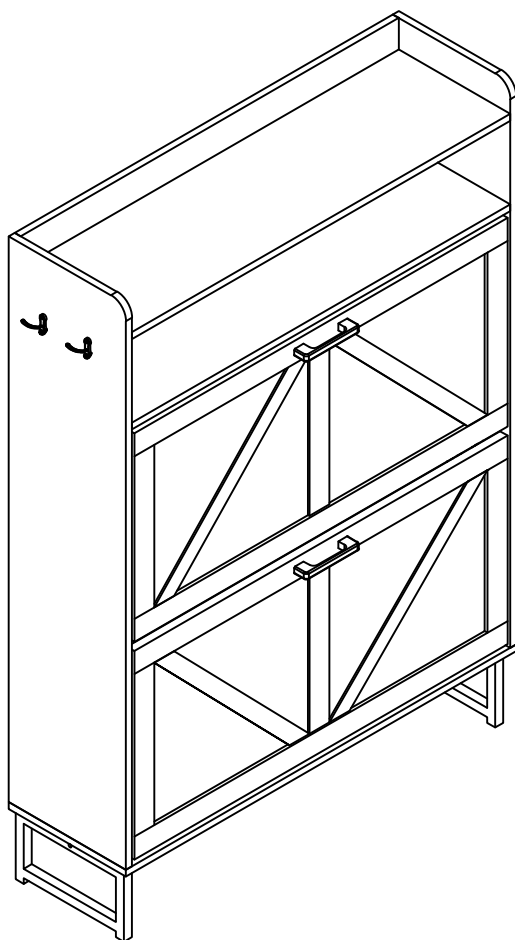
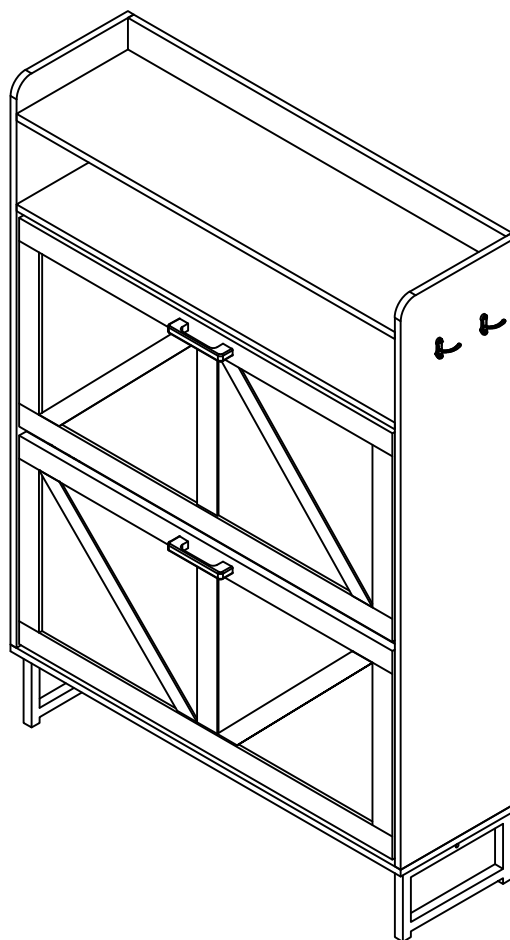


# INSTALLATION & ASSEMBLY

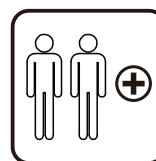
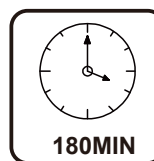
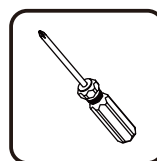
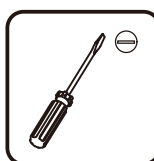
Scheme 1



Scheme 2

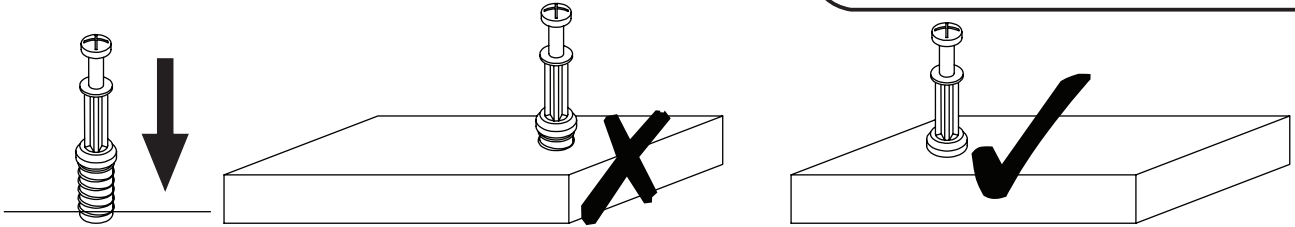


OR

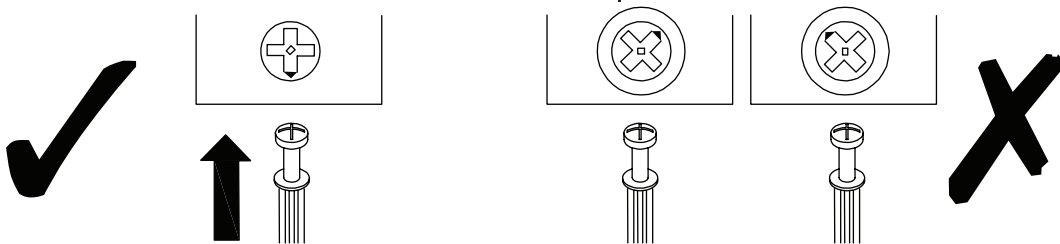


**EN\_IMPORTANT, RETAIN FOR FUTURE REFERENCE: READ CAREFULLY.**

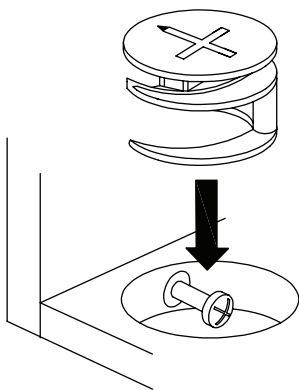
## USING CAM LOCK AND QUICKFIT



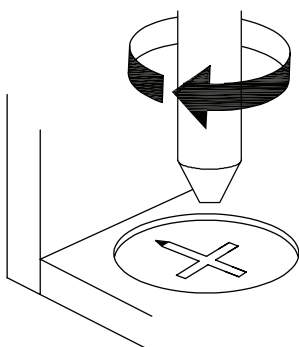
**EN\_QUICKFIT:** Tighten quickfit until shoulder is flush with panel. Do not overtighten or undertighten.



**EN\_CAM LOCK:** When fitting cam lock, ensure starting position is correct before you insert connecting quickfit.

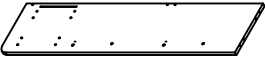

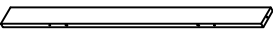



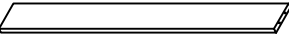


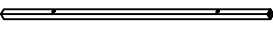


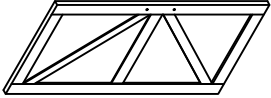
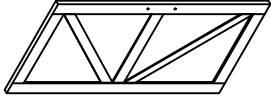
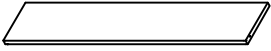
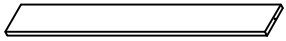

**EN\_Quickfit** head should be in the centre of the cam lock when the two panels are joined.  
Cam lock should be inserted before quickfit.

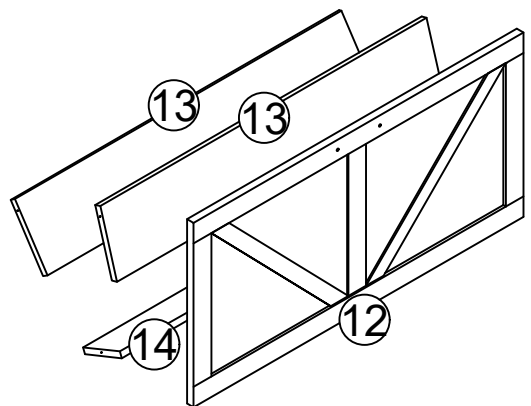
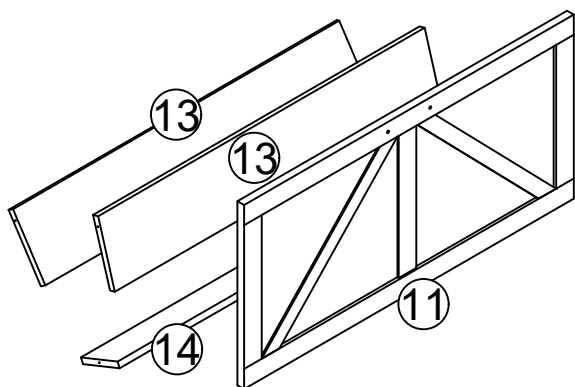
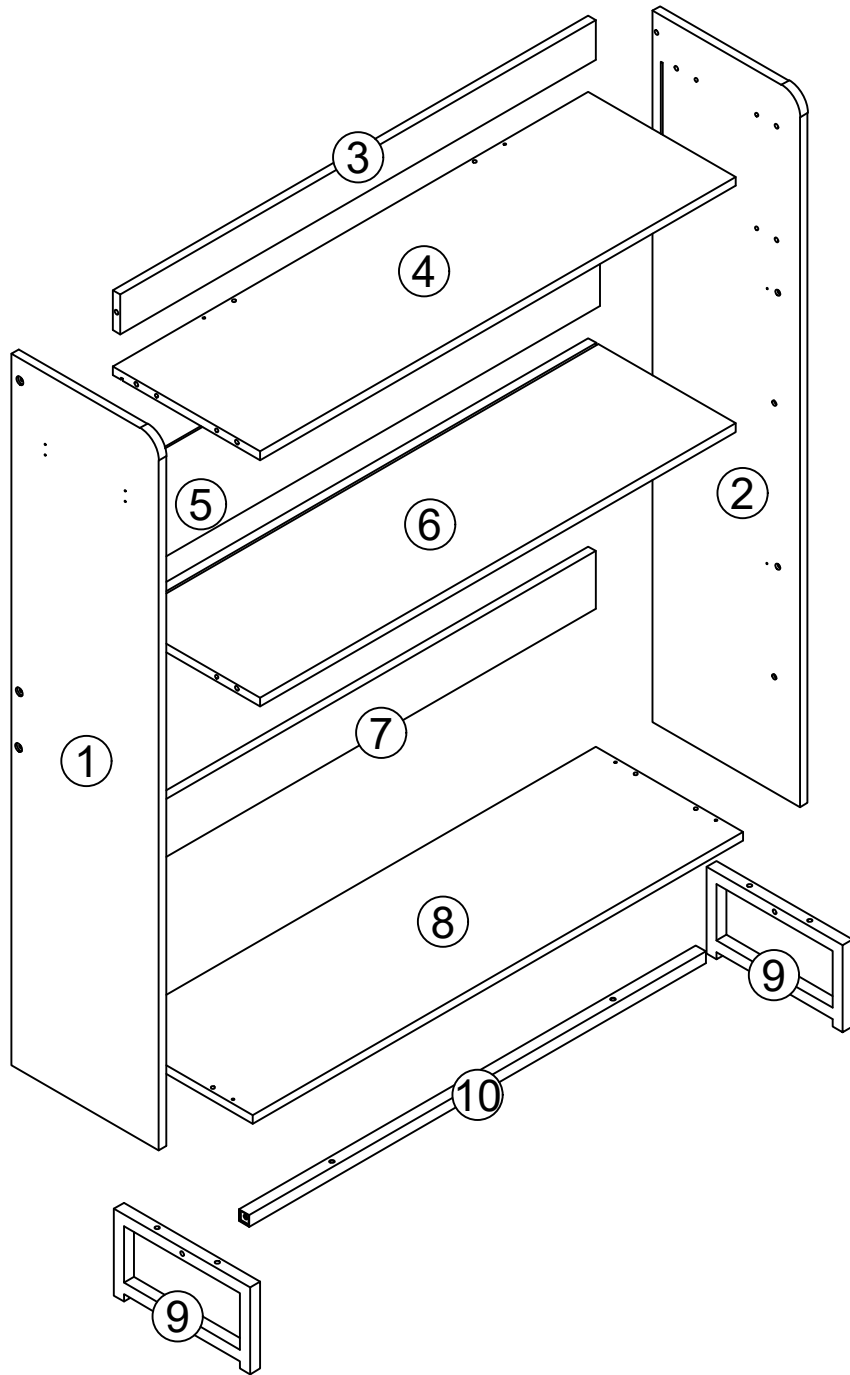


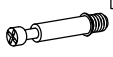












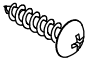


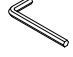

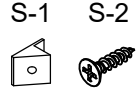




**EN\_Turn** cam lock clockwise to tighten.

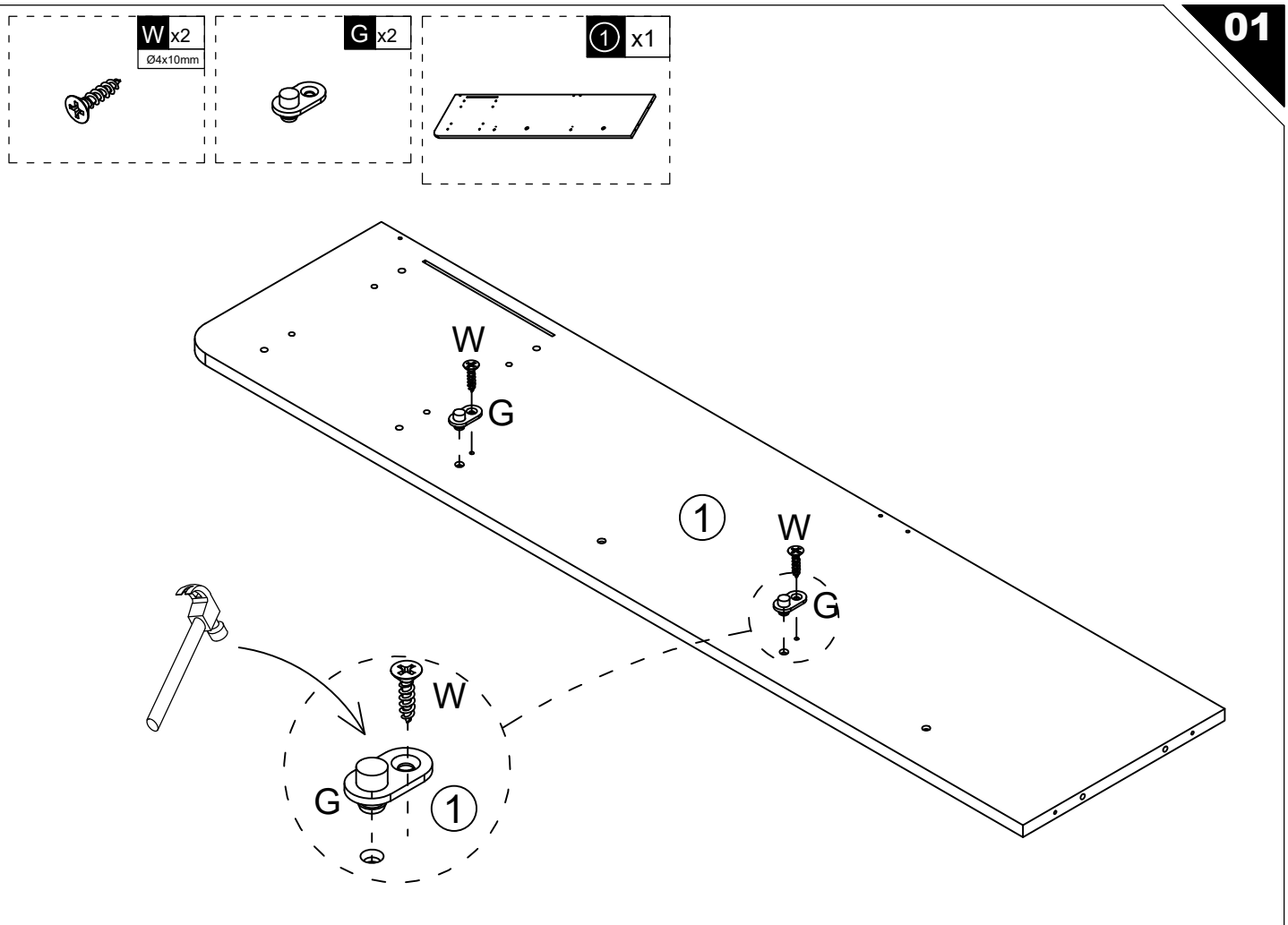
**PACKING DELALS**

NO.	PARTS	QTY	SPARE
①		x1	
②		x1	
③		x1	
④		x1	
⑤		x1	
⑥		x1	
⑦		x1	
⑧		x1	
⑨		x2	
⑩		x1	

NO.	PARTS	QTY	SPARE
⑪		x1	
⑫		x1	
⑬		x4	
⑭		x2	
⑮	 Hardware Kit	x1	



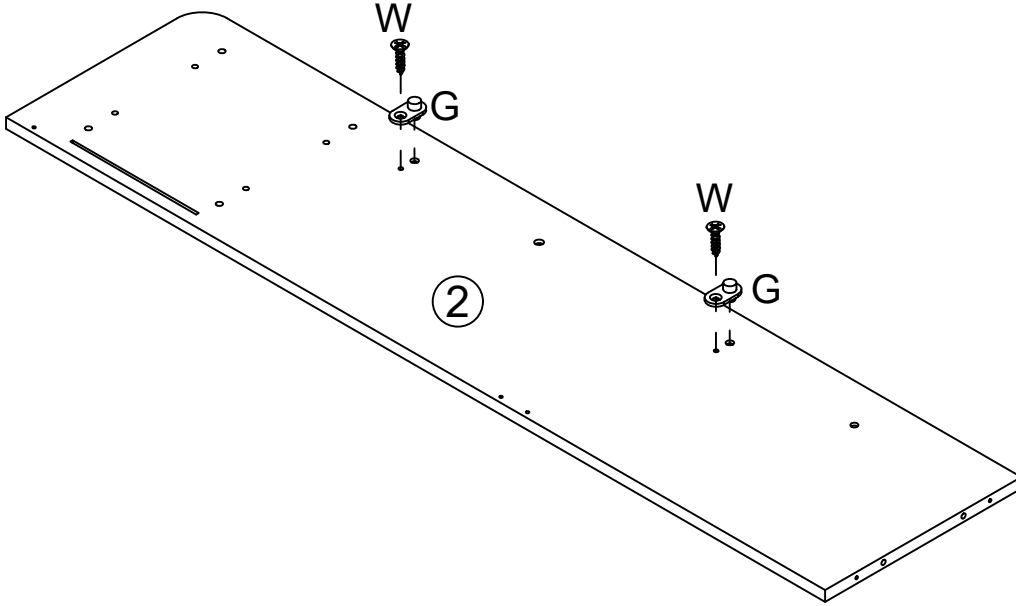
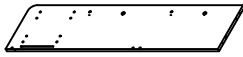
<p><b>A</b> x8 Ø6x35mm +1(spare)</p> 	<p><b>B</b> x8 Ø15x10mm +1(spare)</p> 	<p><b>C</b> x14 Ø6x30mm +1(spare)</p> 	<p><b>D</b> x14 Ø4x35mm +1(spare)</p> 	<p><b>E</b> x24 Ø3.5x12mm +2(spare)</p> 	<p><b>F</b> x2 Ø4x18mm</p> <p>F-1 F-2</p> 
<p><b>G</b> x4</p> 	<p><b>H</b> x4</p> 	<p><b>I</b> x4 Ø6x12mm</p> 	<p><b>J</b> x2 Ø6x35mm</p> 	<p><b>K</b> x6 Ø6x25mm</p> 	<p><b>L</b> x2</p> 
<p><b>M</b> x2 Ø6x30mm</p> 	<p><b>N</b> x4 Ø4x12mm</p> 	<p><b>O</b> x10 +2(spare)</p> 	<p><b>P</b> x2</p> 	<p><b>Q</b> x1 M4</p> 	<p><b>R</b> x2</p> 
<p><b>S</b> x4 Ø3x16mm</p> <p>S-1 S-2</p> 	<p><b>T</b> x1 M5</p> 	<p><b>U</b> x4</p> 	<p><b>V</b> x2</p> 	<p><b>W</b> x4 Ø4x10mm</p> 	



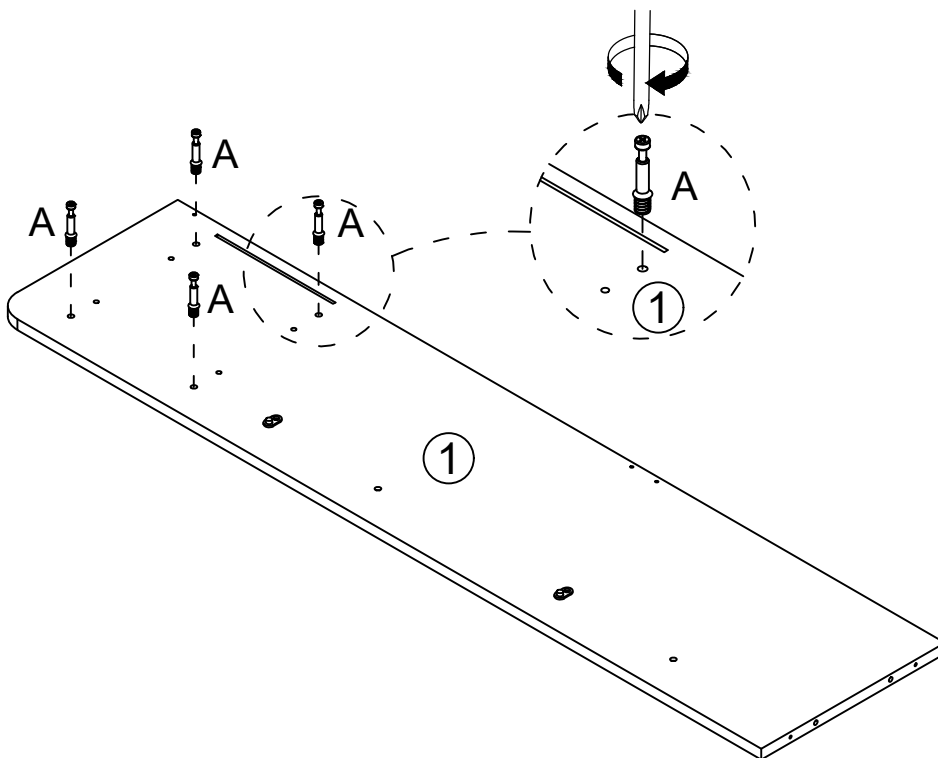
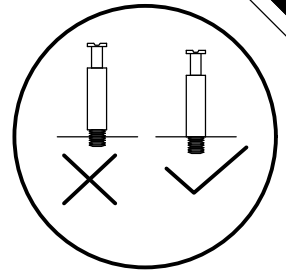
W x2  
Ø4x10mm

G x2

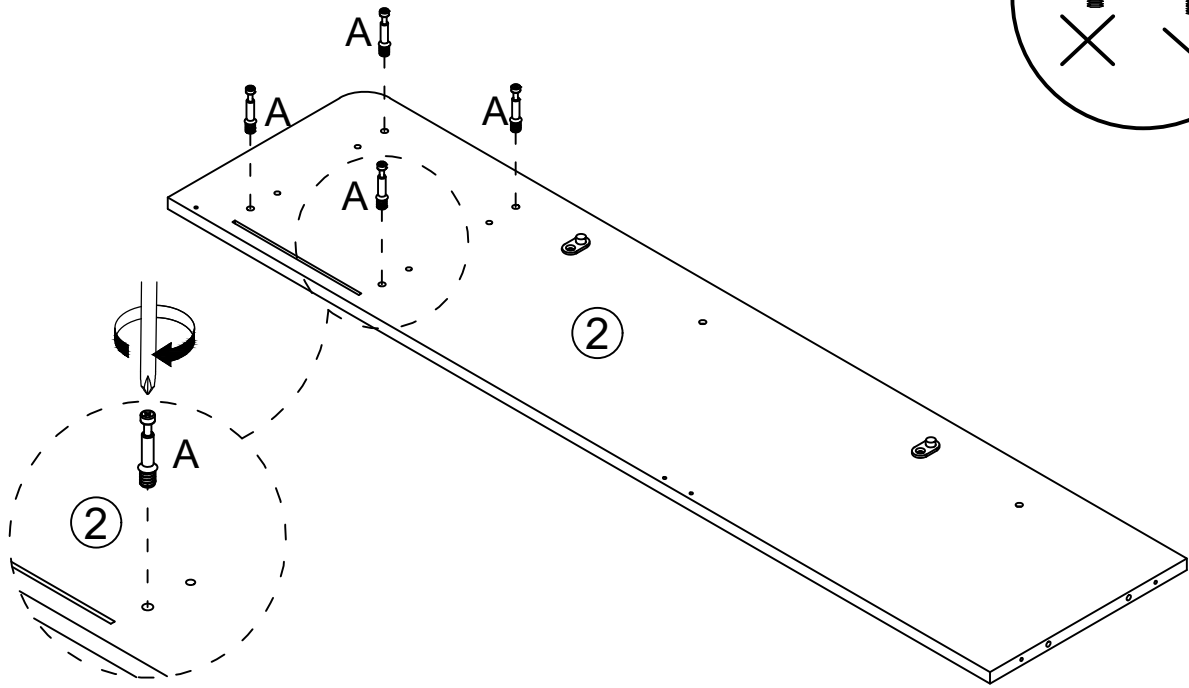
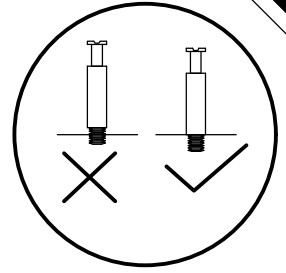
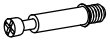
② x1



A x4  
Ø6x35mm



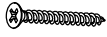
A x4  
Ø6x35mm



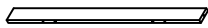
C x2  
Ø6x30mm



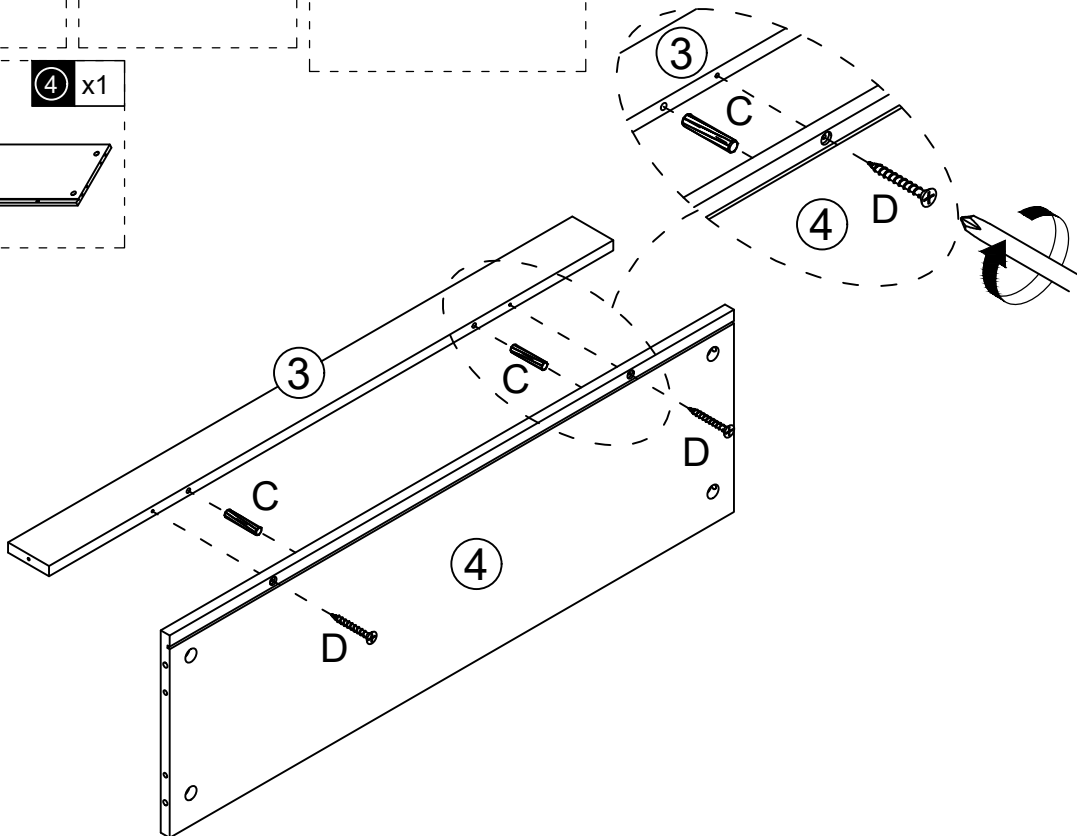
D x2  
Ø4x35mm



3 x1



4 x1



**B** x4  
Ø15x10mm

**C** x4  
Ø6x30mm

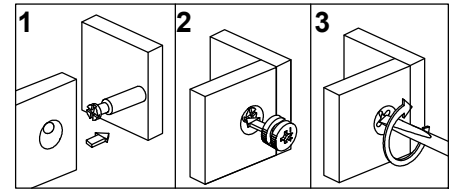
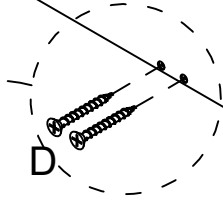
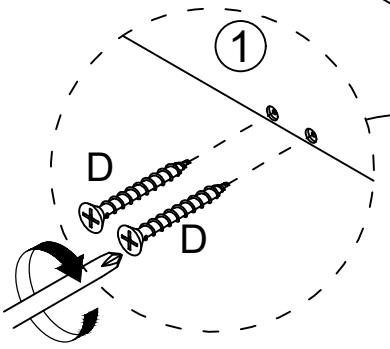
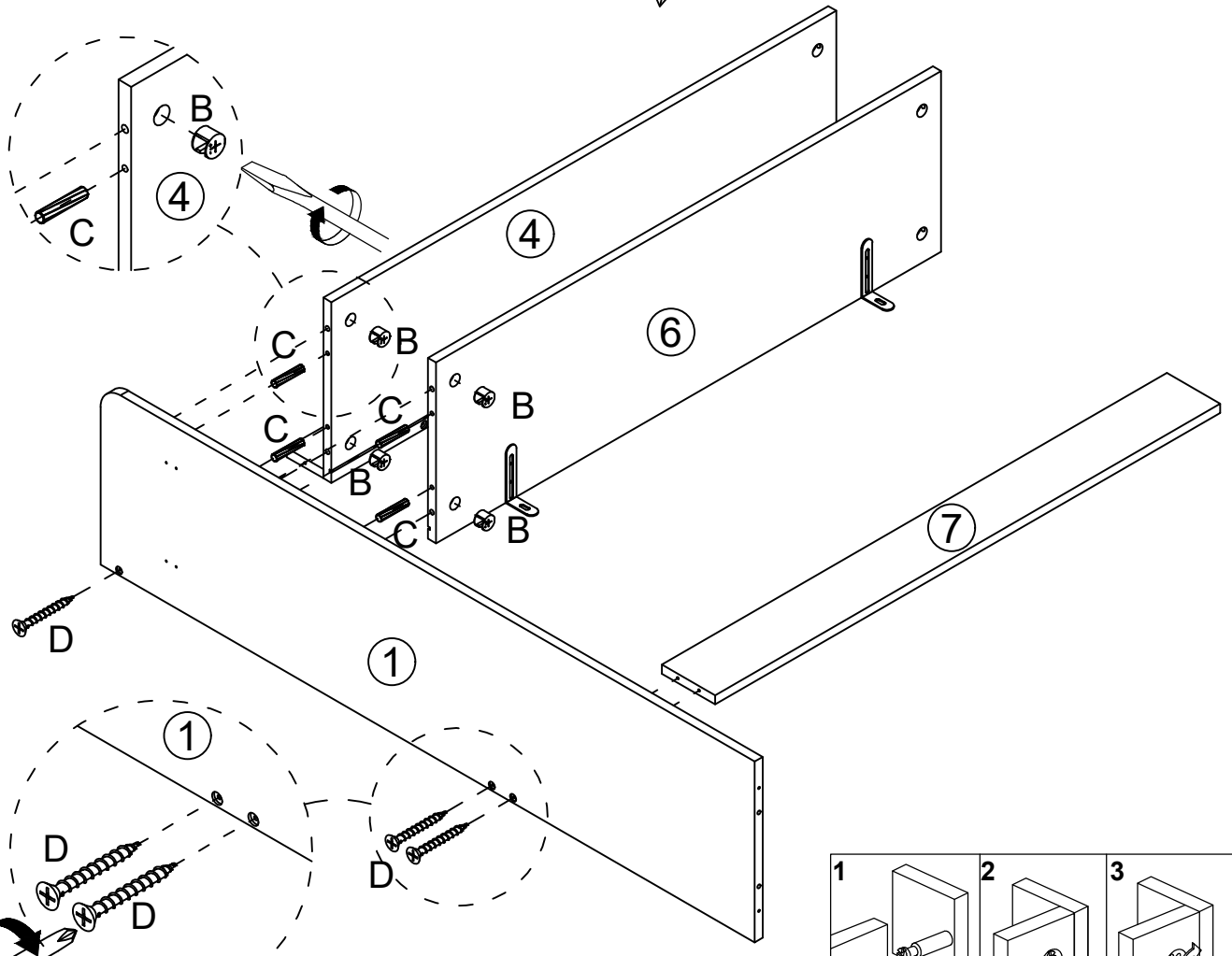
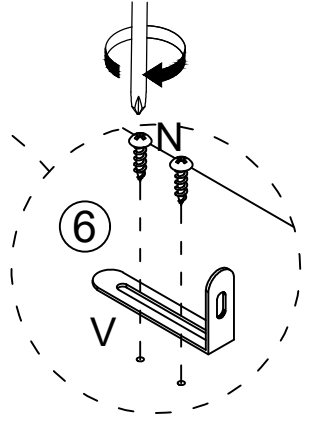
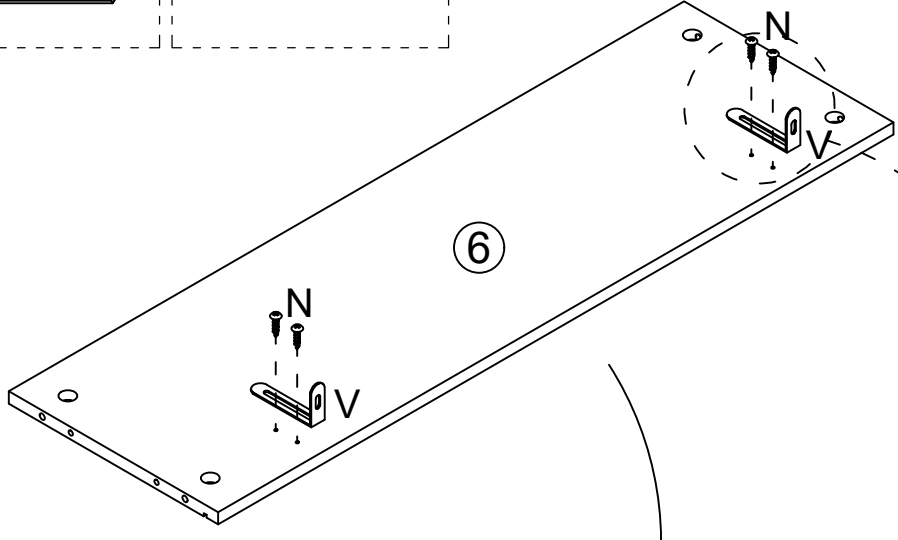
**D** x3  
Ø4x35mm

**N** x4  
Ø4x12mm

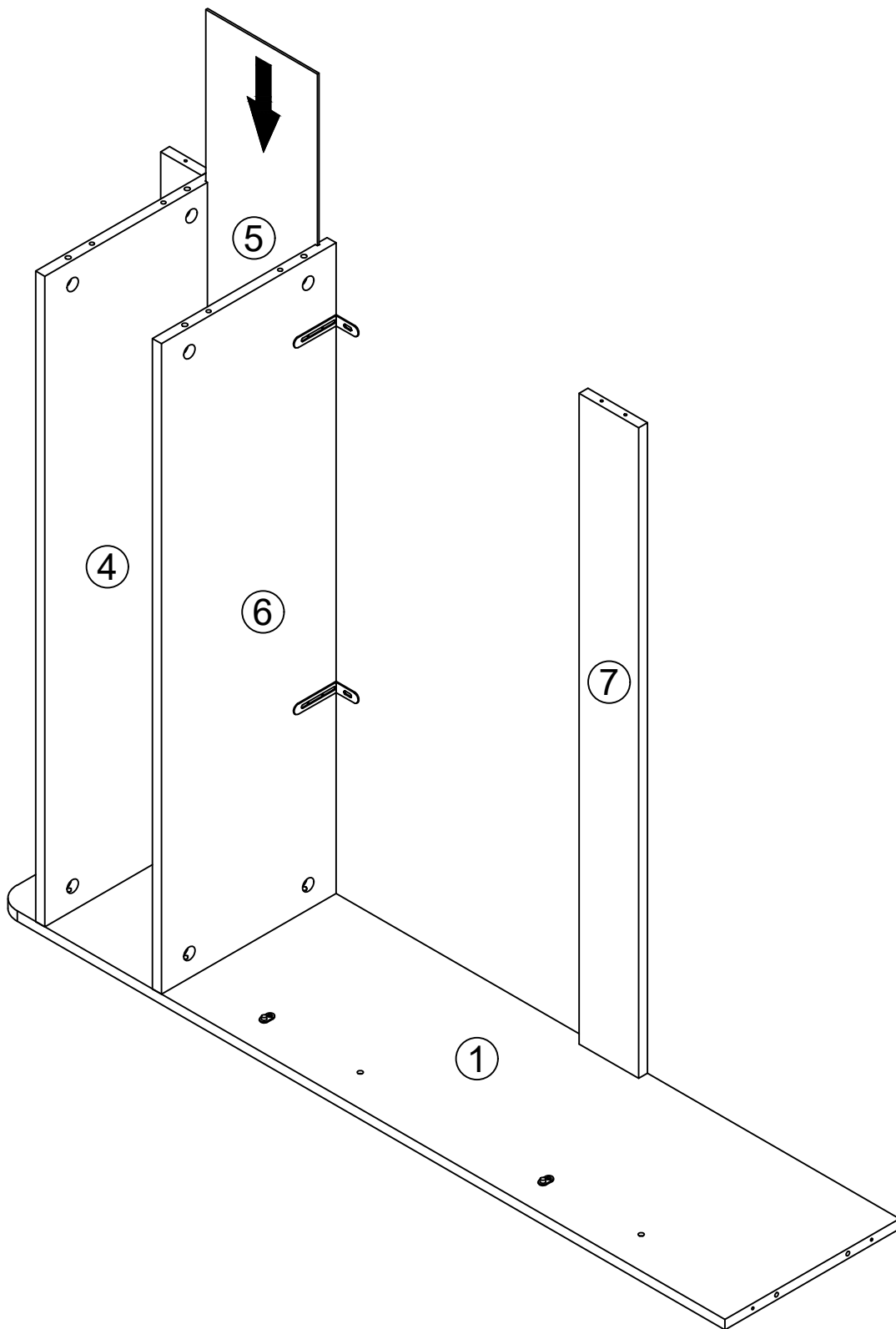
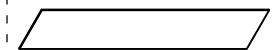
**V** x2

**6** x1

**7** x1



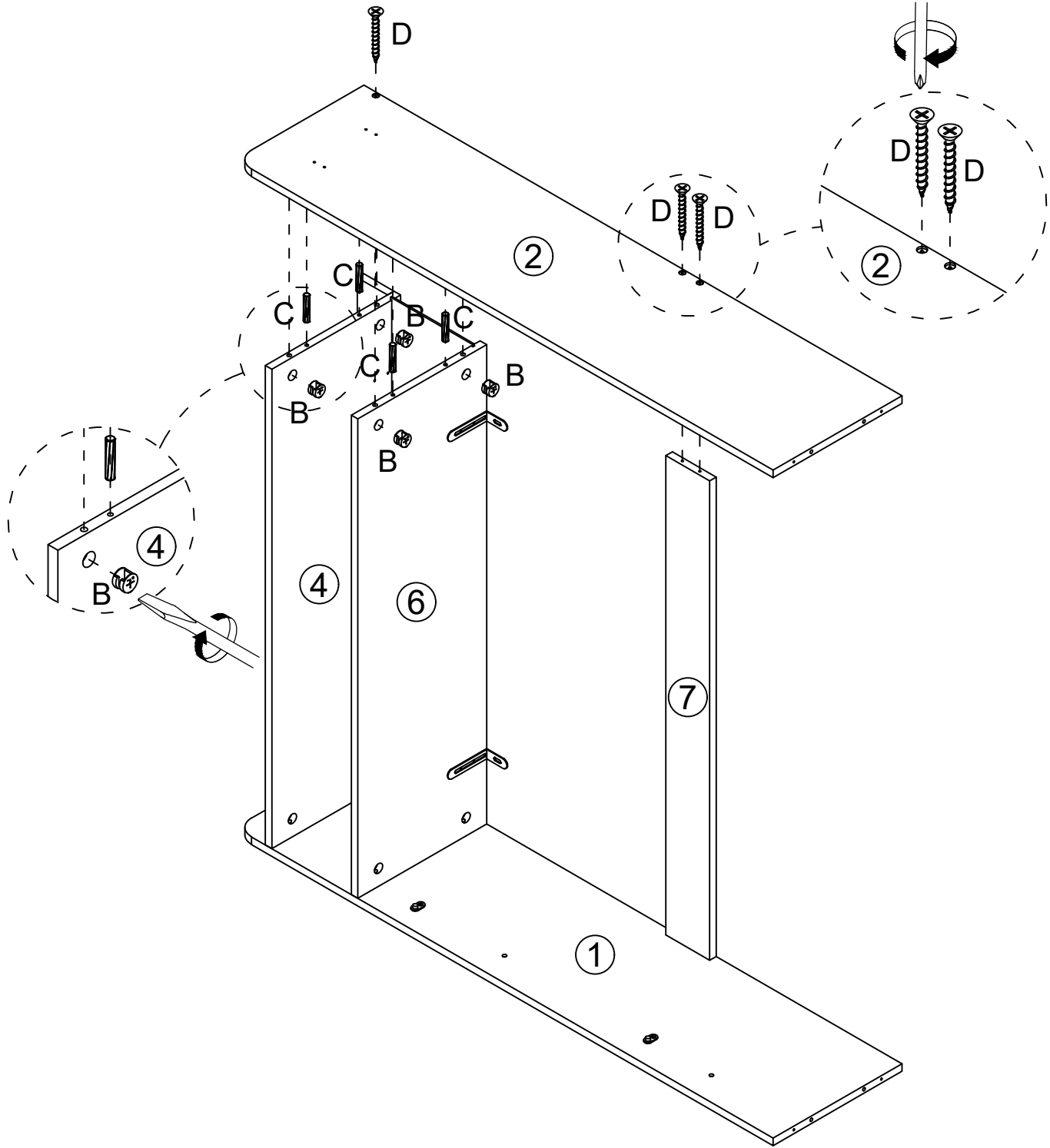
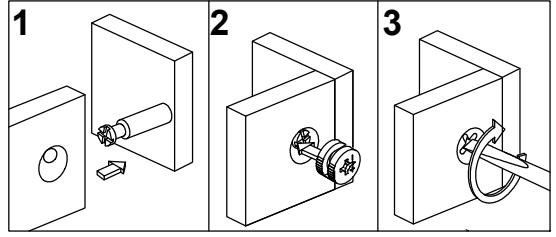
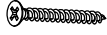
⑤ x1



**B** x4  
Ø15x10mm

**C** x4  
Ø6x30mm

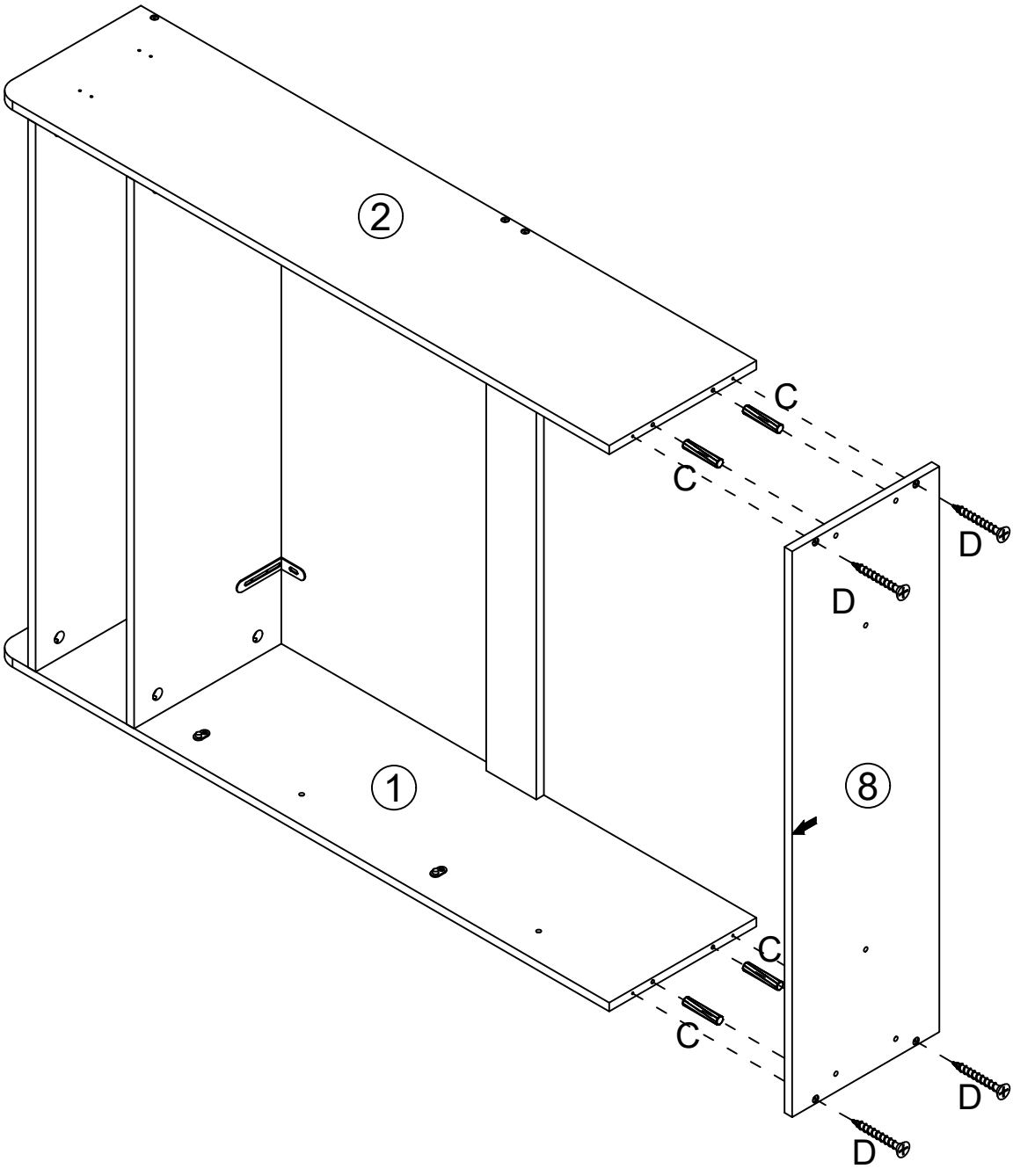
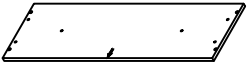
**D** x3  
Ø4x35mm



C x4  
Ø6x30mm

D x4  
Ø4x35mm

8 x1



J x2  
Ø6x35mm



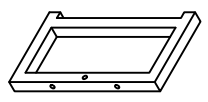
K x6  
Ø6x25mm



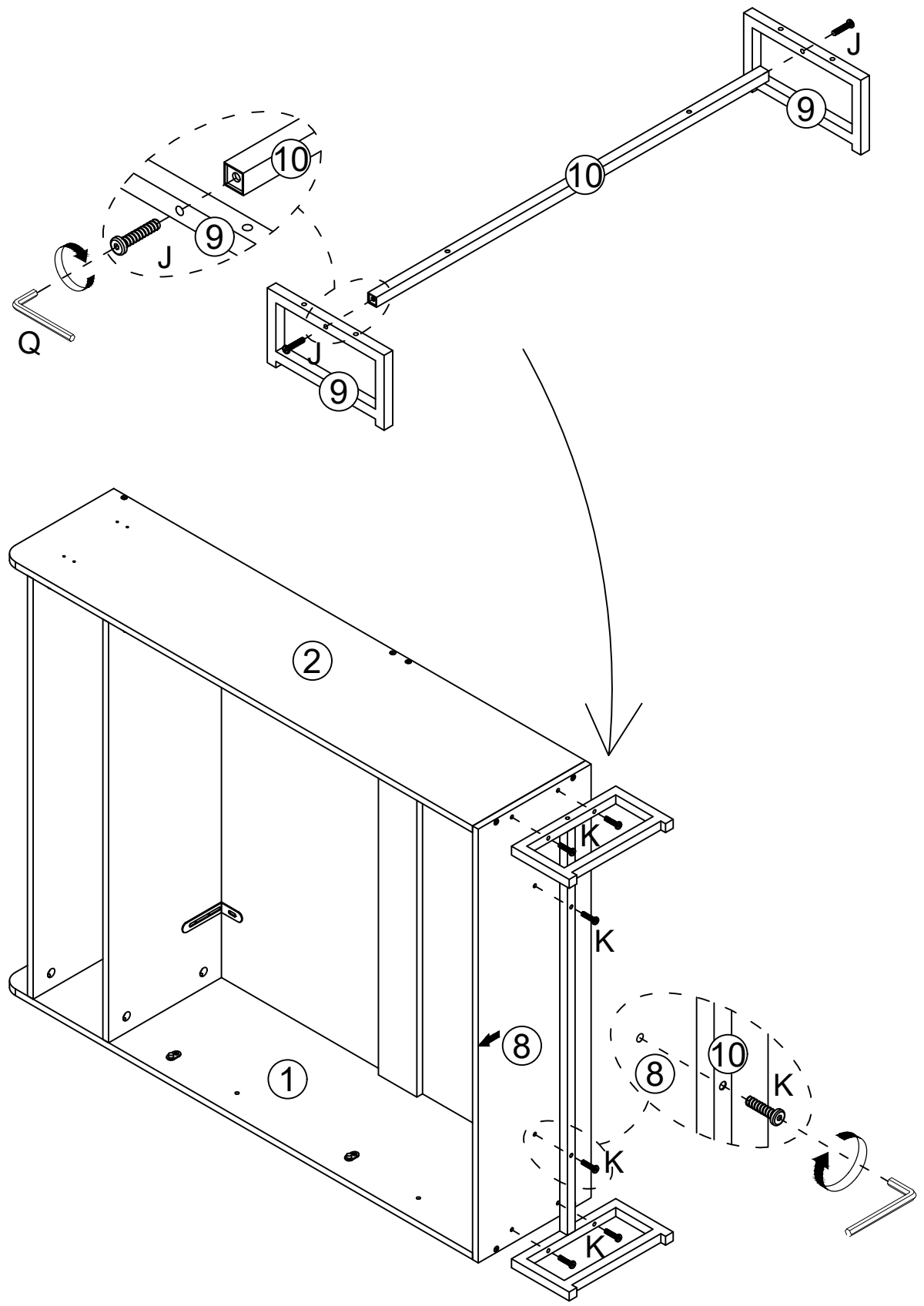
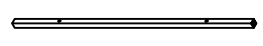
Q x1  
M4



9 x2



10 x1



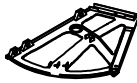
E x12  
Ø3.5x12mm



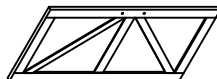
L x2



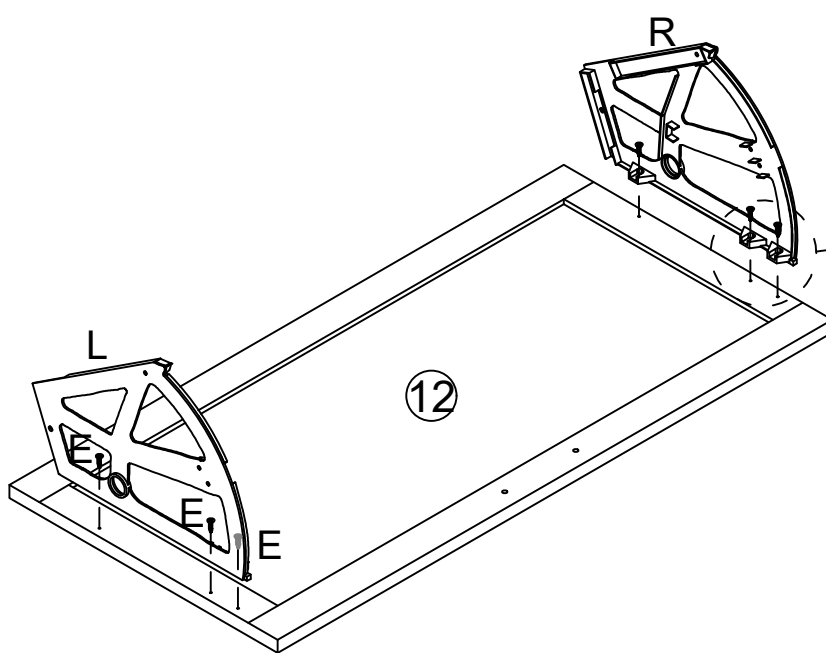
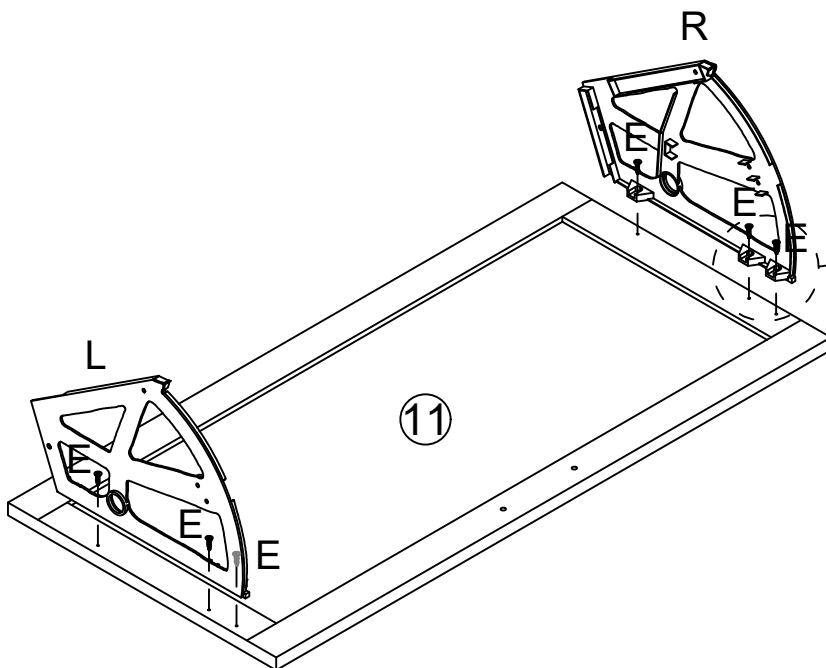
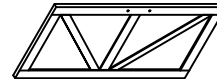
R x2



11 x1

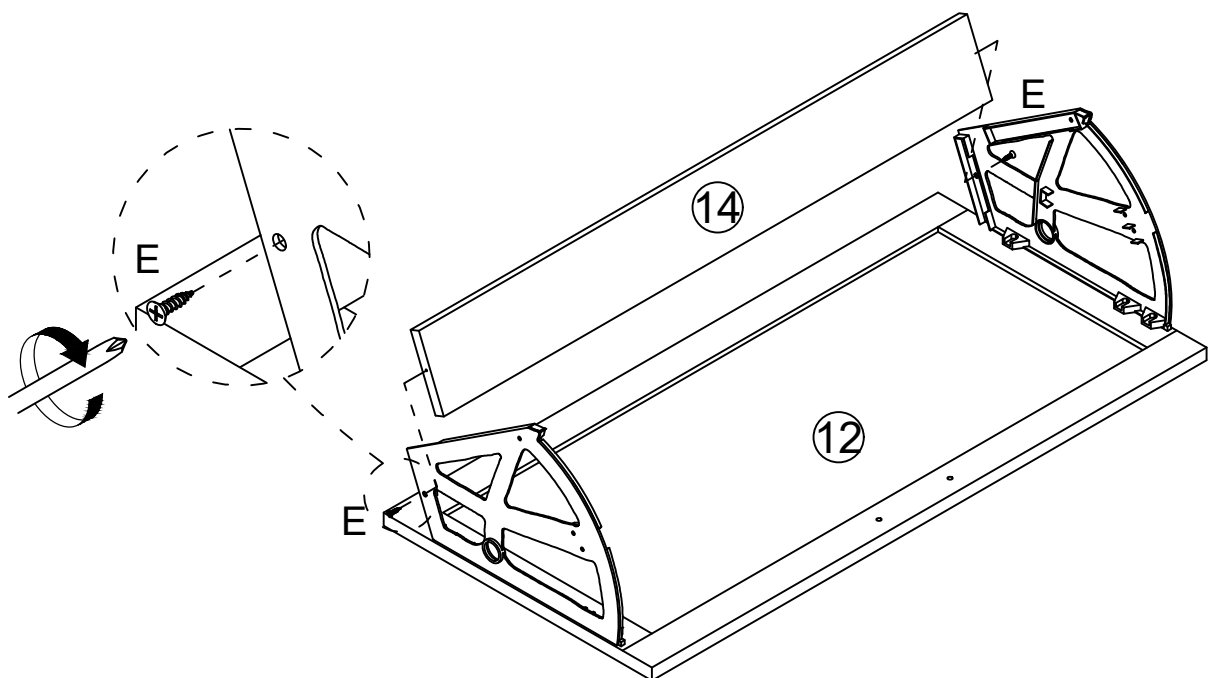
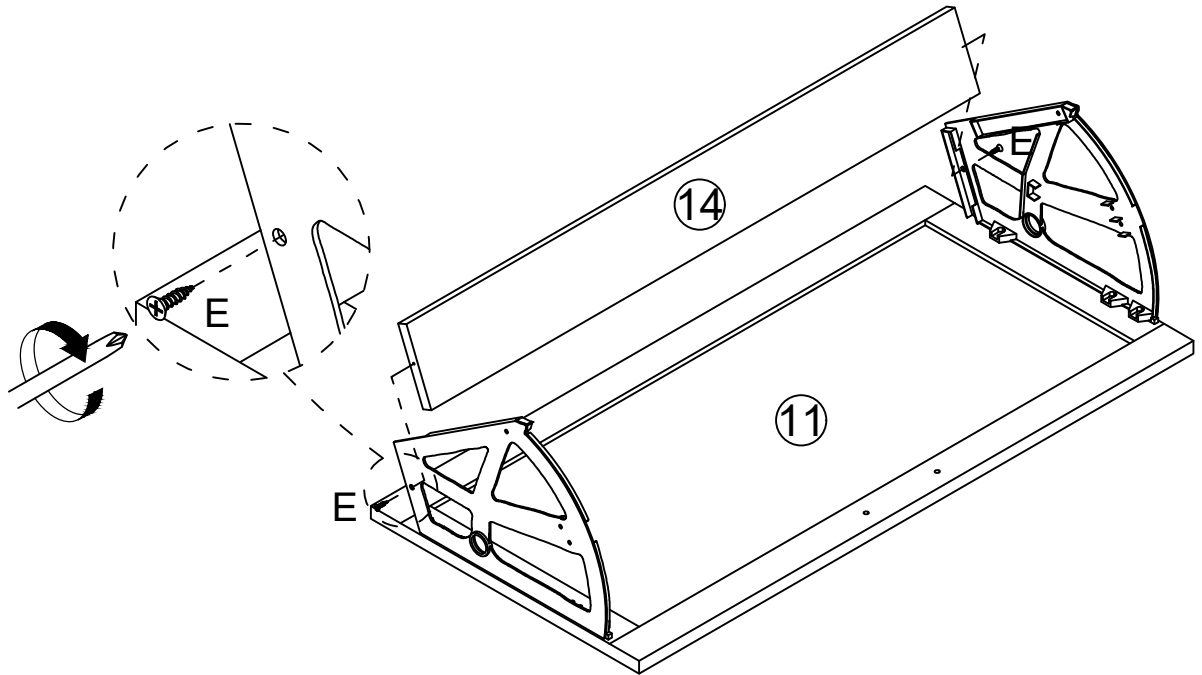
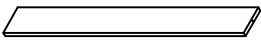


12 x1



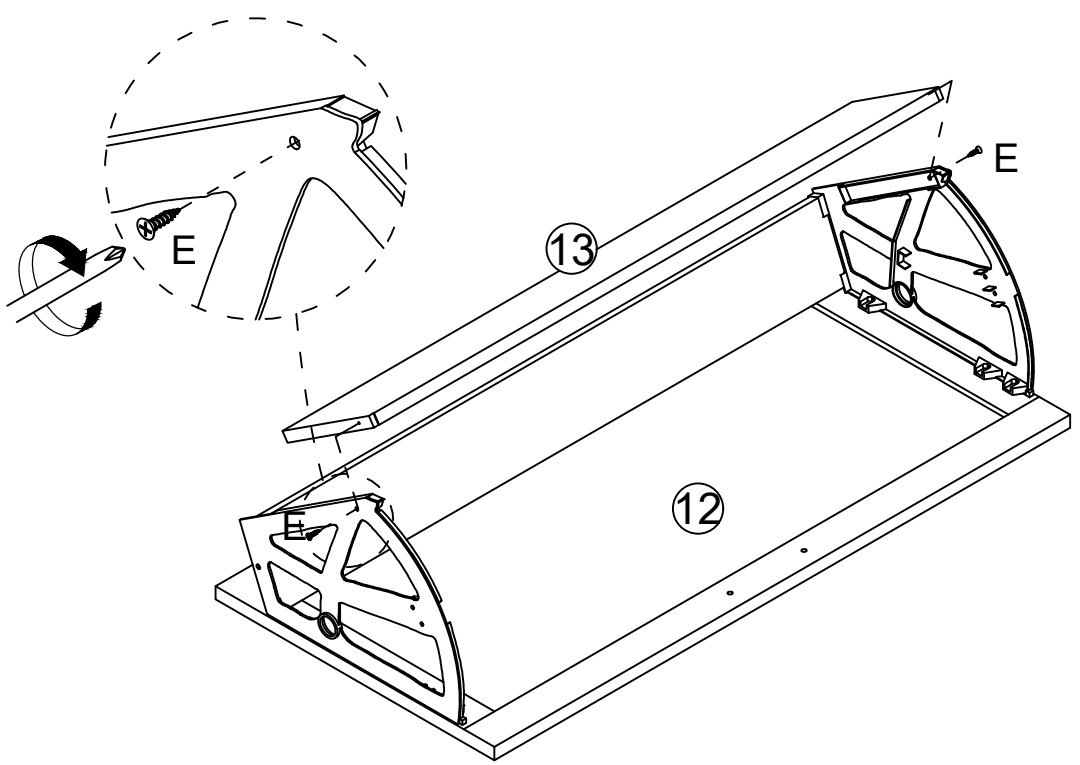
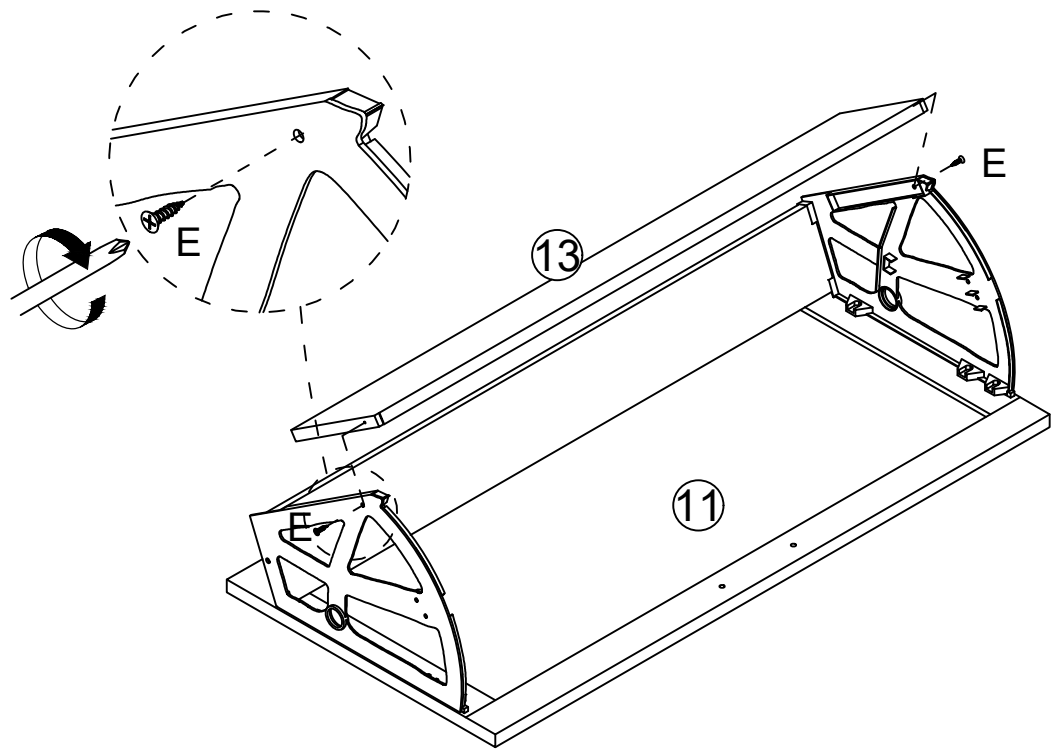
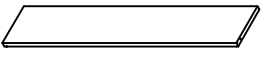
E x4  
Ø3.5x12mm

14 x2



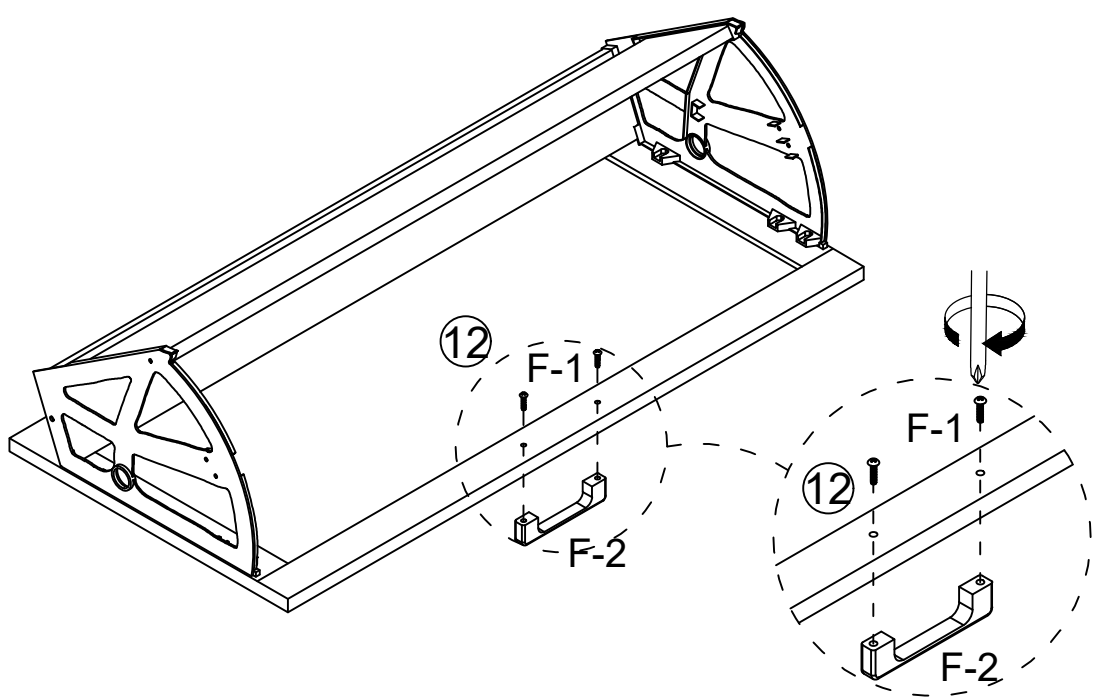
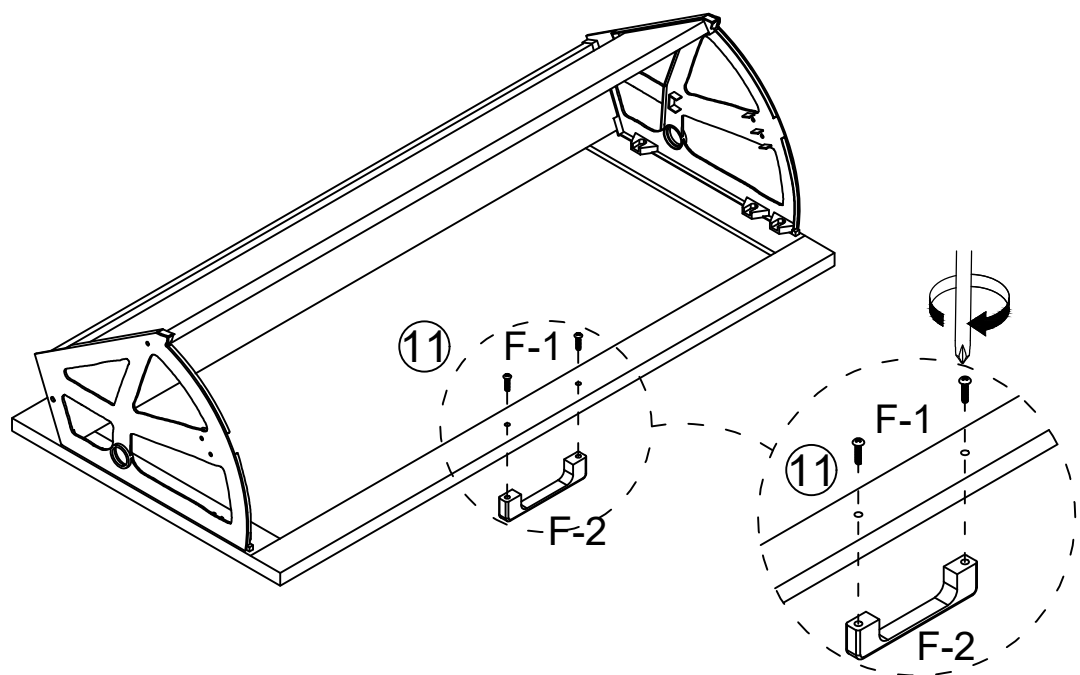
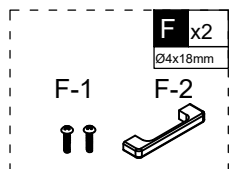
E x4  
Ø3.5x12mm

13 x2



F x2  
Ø4x18mm

F-1      F-2



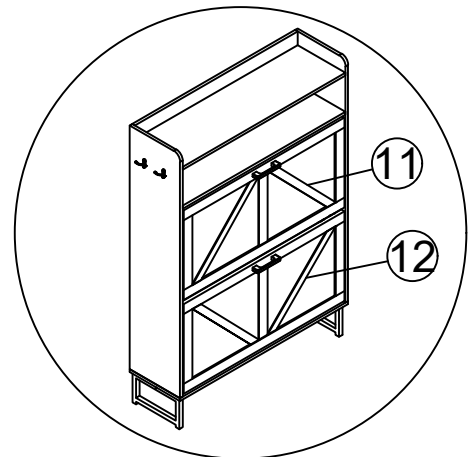
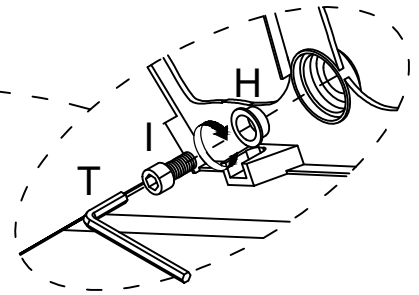
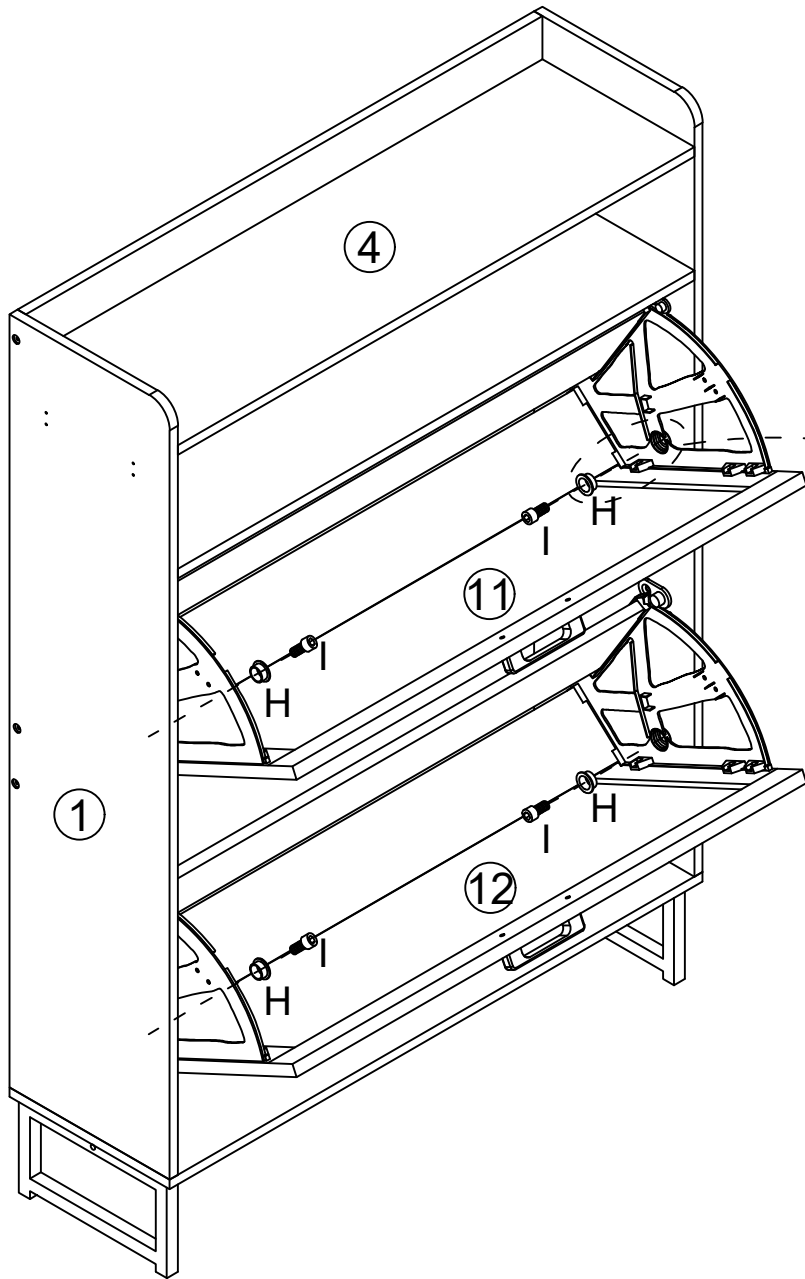
H x4



I x4  
Ø6x12mm

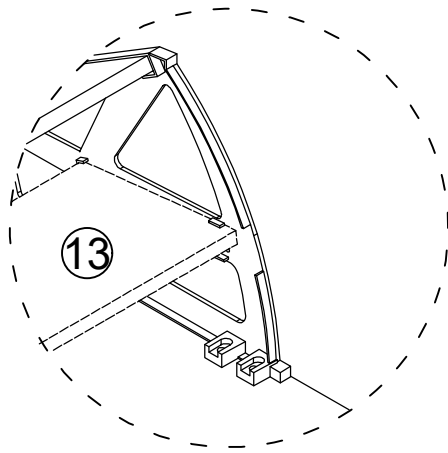
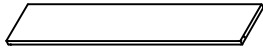


T x1  
M5

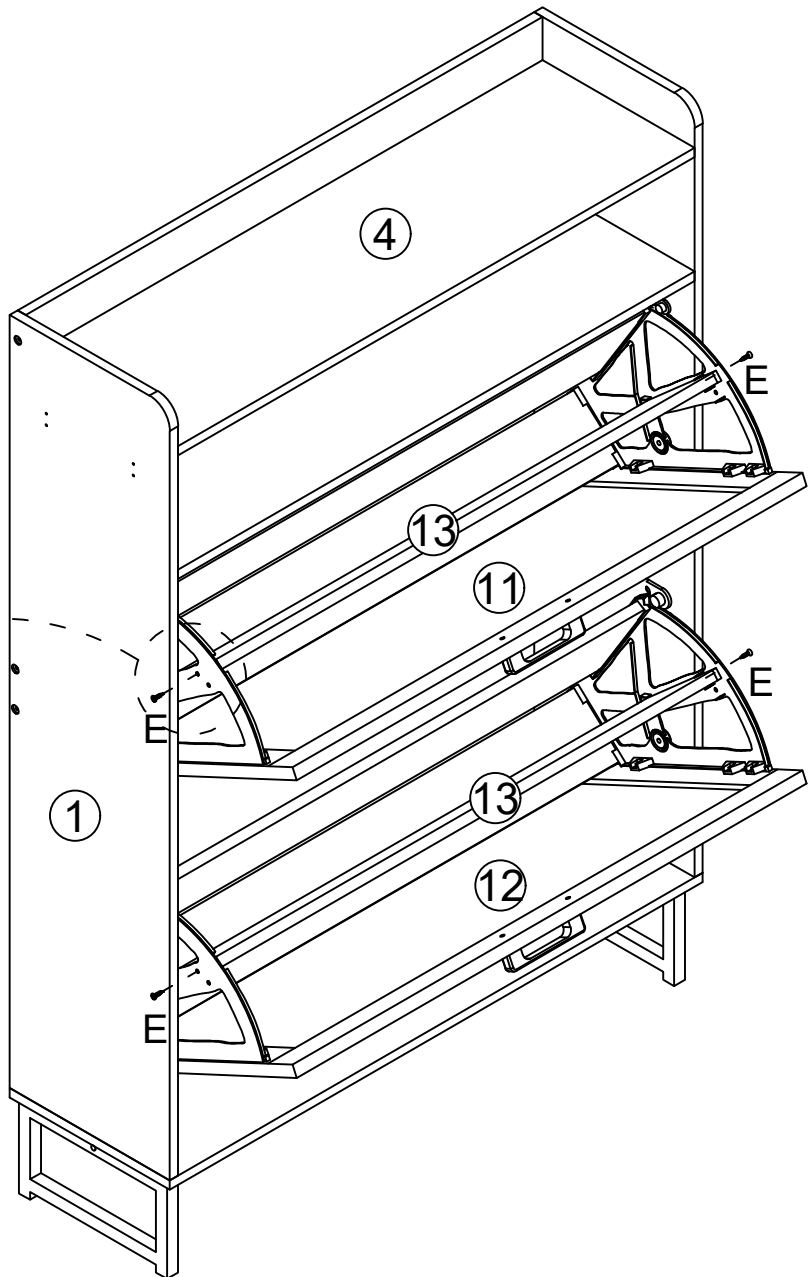
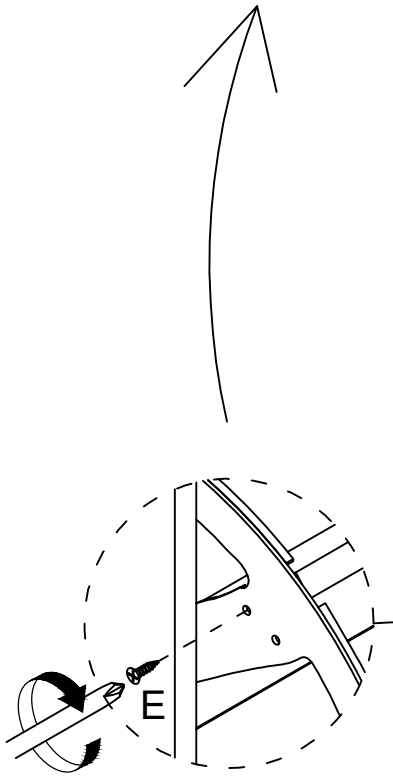
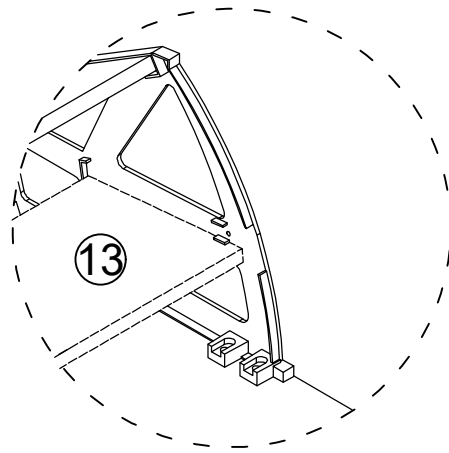


E x4  
Ø3.5x12mm

13 x2



OR



U x4



P x2

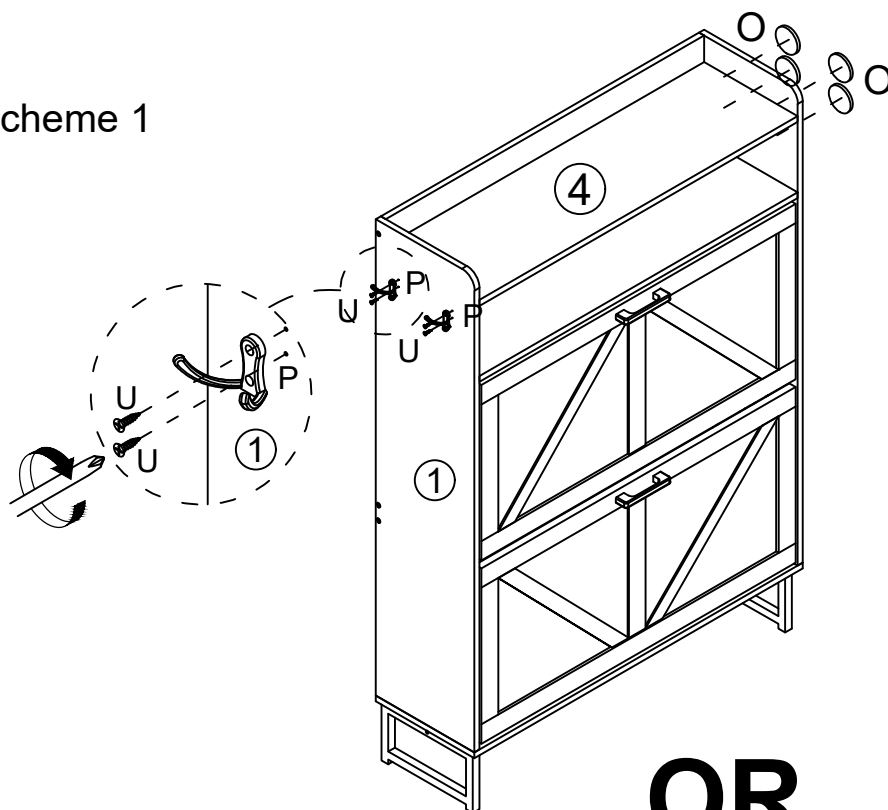


O x4

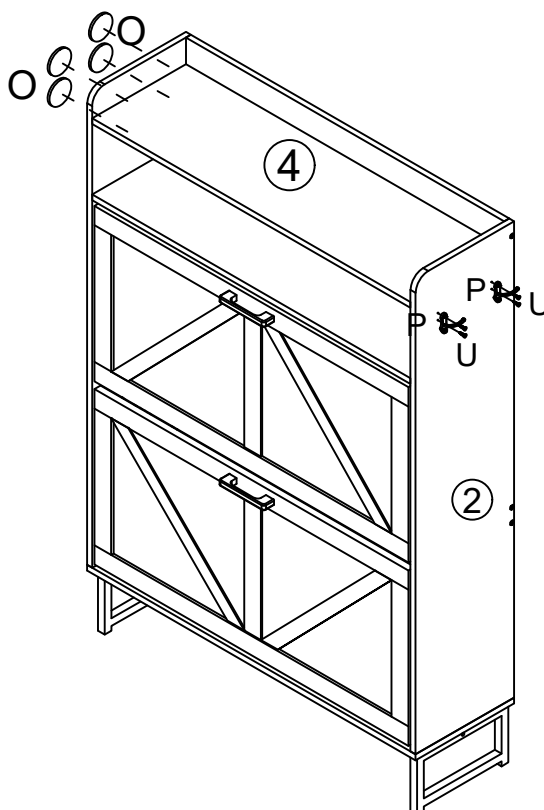


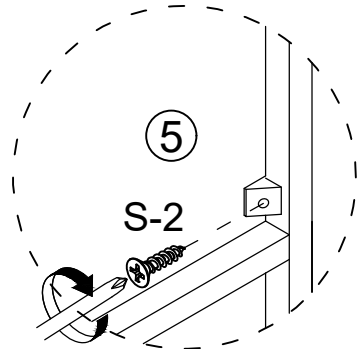
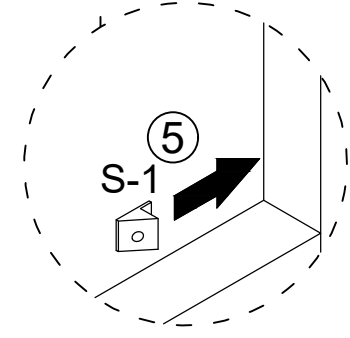
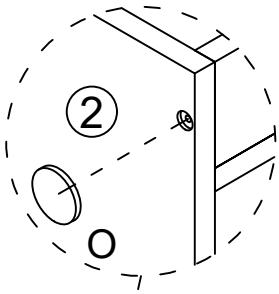
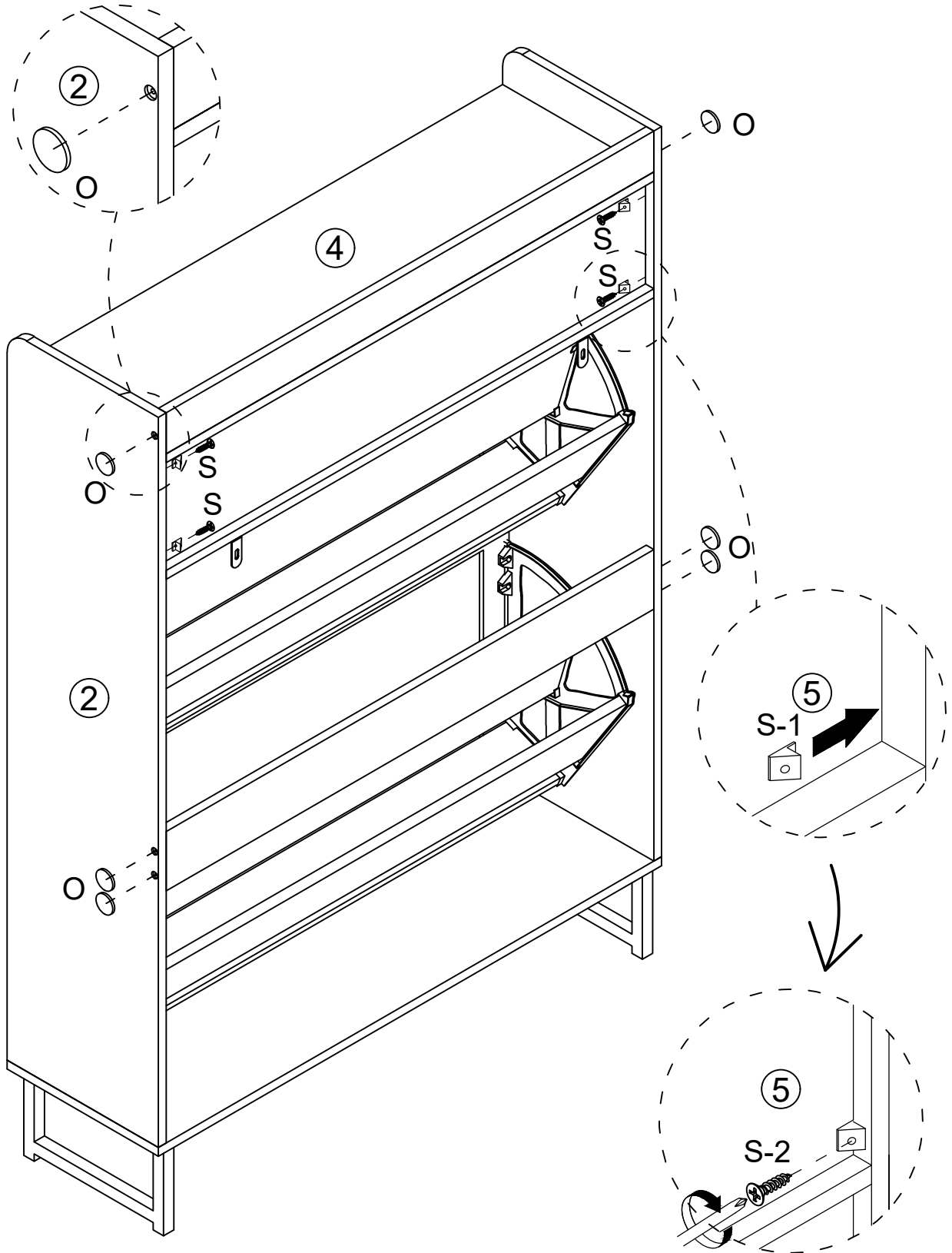
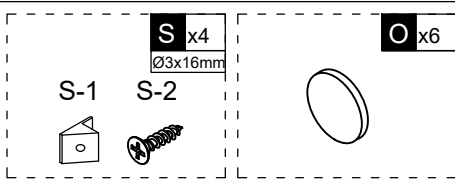
Please install the hook "P" according to your actual needs, either on the left Scheme 1 or on the right Scheme 2, and choose one of the options for installation, as shown .

Scheme 1



Scheme 2





**D** x2  
Ø4x35mm



**M** x2  
Ø6x30mm



WALL



**I** x2

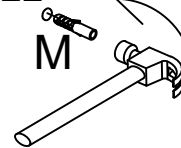
WALL +

drilling hole  
Ø6x30mm



**II** x2

WALL



**III** x2

