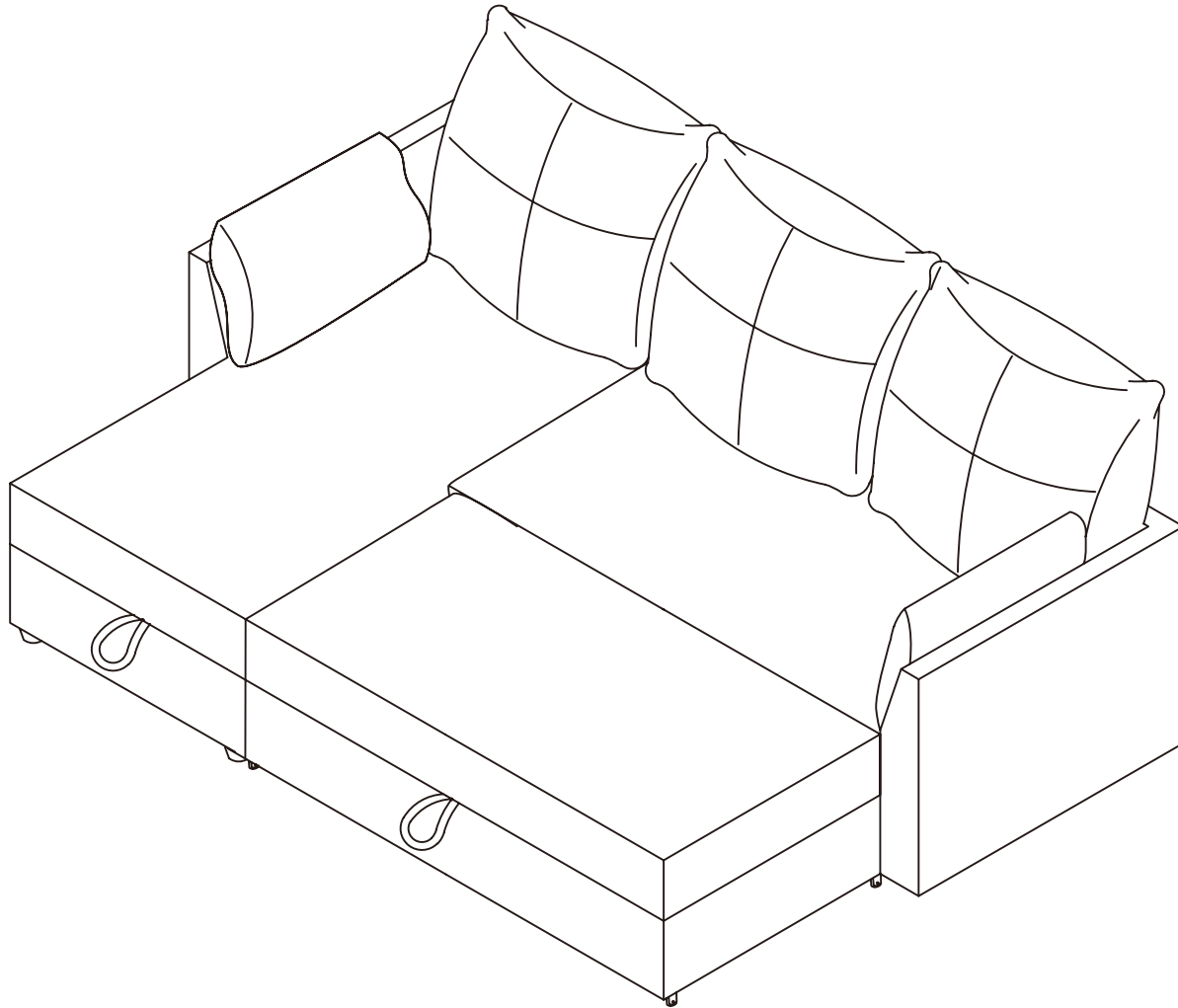


SLEEPER SOFA

Assembly Instruction



NOTE:

Comes with TWO PACKAGES with TWO TRACKINGS, may NOT be delivered at the same time.



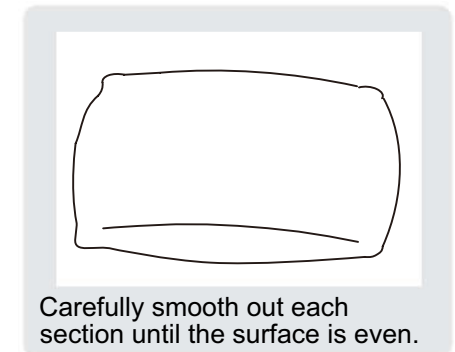
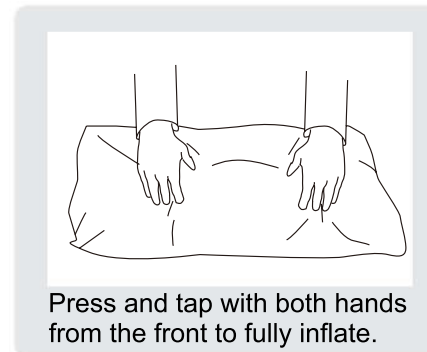
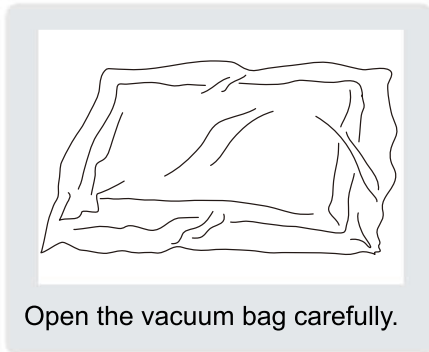
Safety and Care Advice

Important – Please read these instructions fully before starting assembly

Thanks for your purchase. Before the assembly, please follow the instruction to check if all the spare parts and screws are intact.

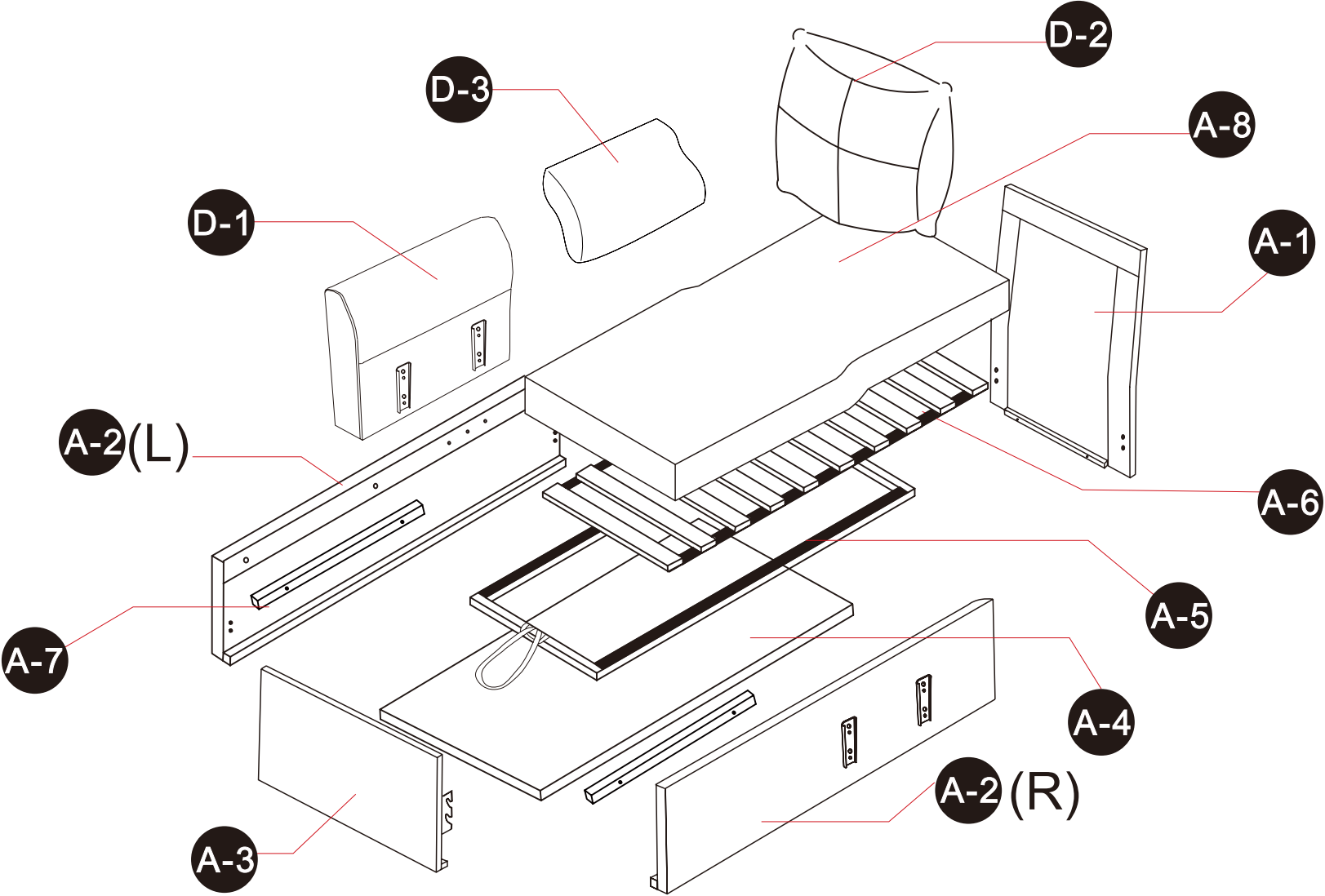
- Considering the size and weight of the sofa, we recommend two adults to assemble the sofa, on a carpeted or padded area, in the room that it is intended for. Approximate assembly time: 30 minutes.
- Keep all components and packaging out of reach of children or animals to avoid risk of choking or suffocation.
- Please do not throw away any of the packaging or the instruction until you have checked all the components and hardware and the furniture is fully assembled. Please ensure that the packaging is disposed of in a safe and environmentally friendly way.
- Please do not take off the cover, and do not wash.

Your cushions come vacuum packed and sealed for shipping. To restore the cushion's original shape, follow the steps below.

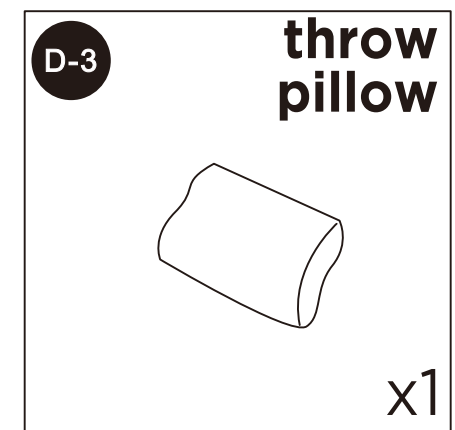
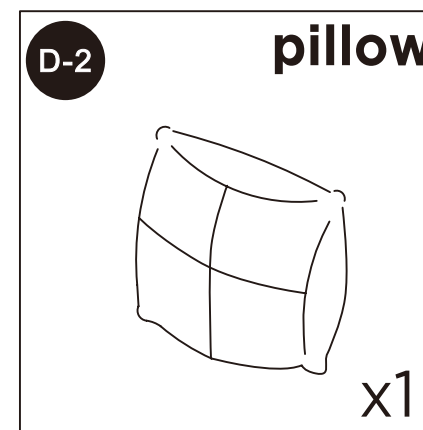
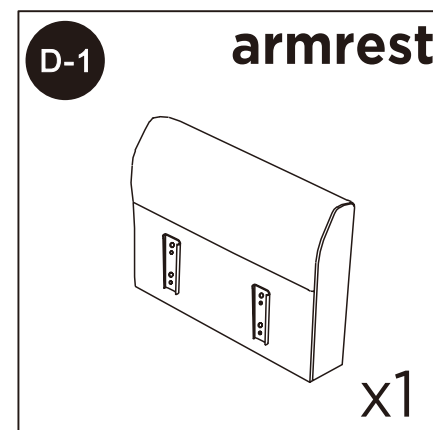
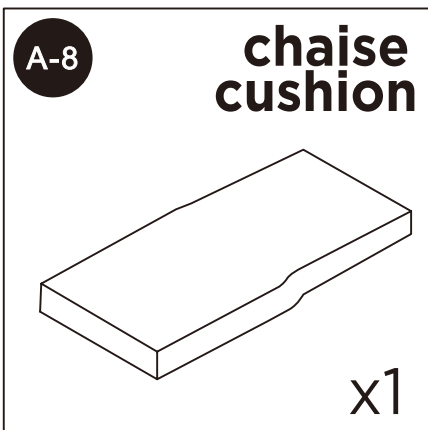
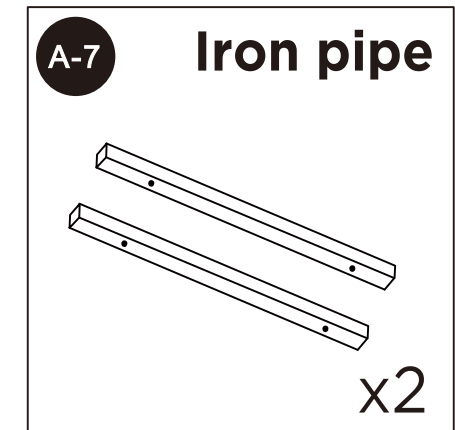
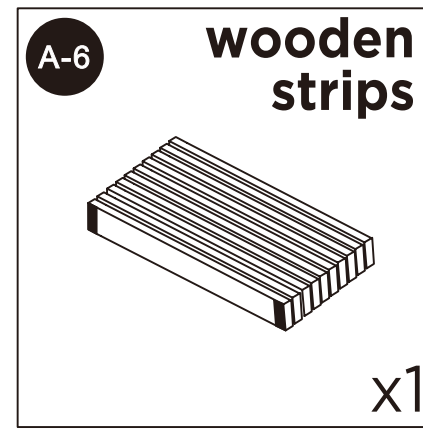
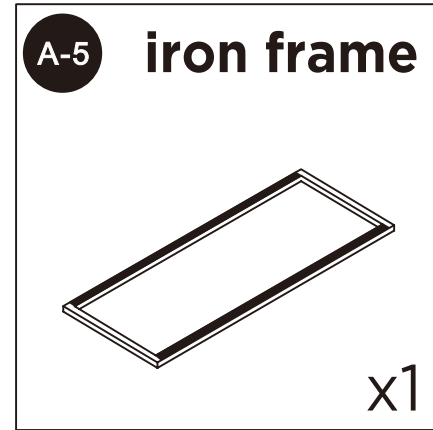
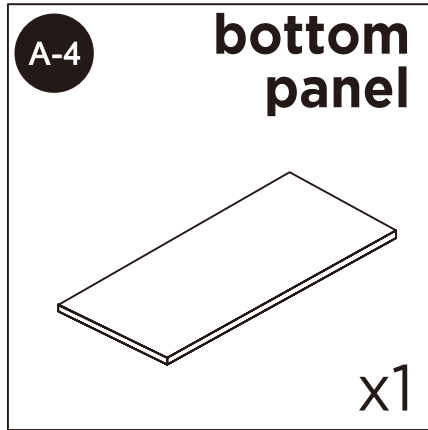
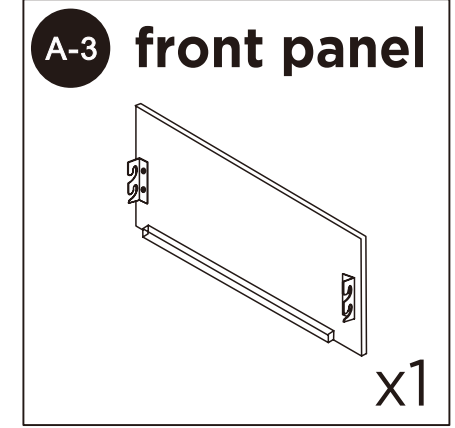
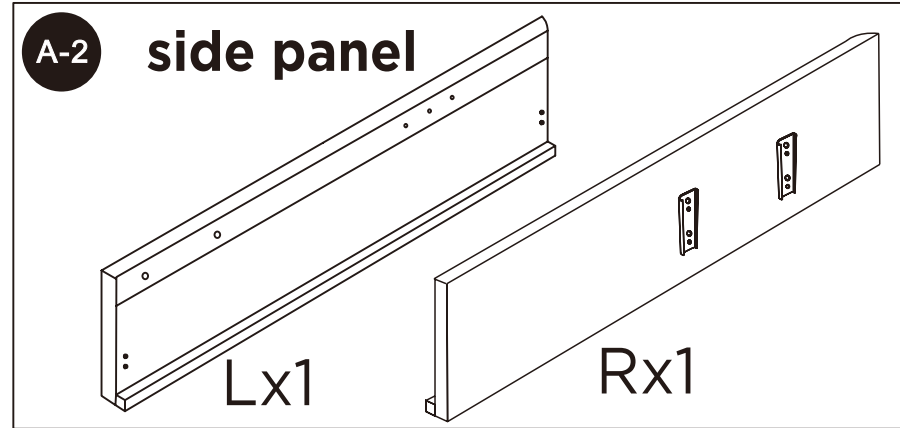
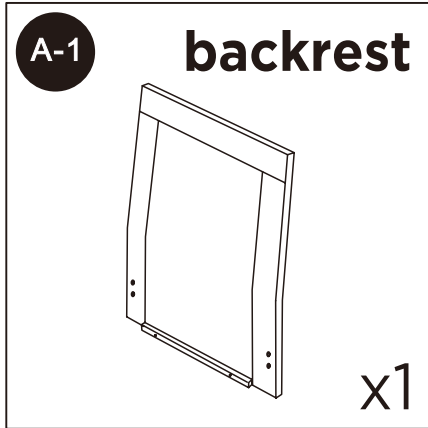


After packing up, place them in somewhere dry and ventilated. After about 72-96 hours, it can be restored to the best use condition.

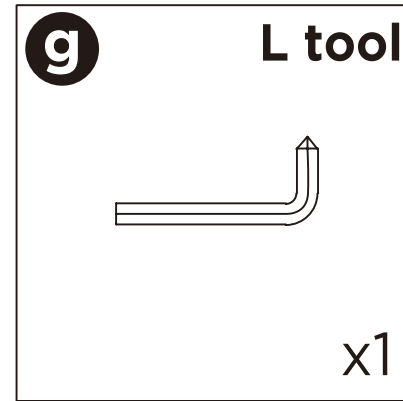
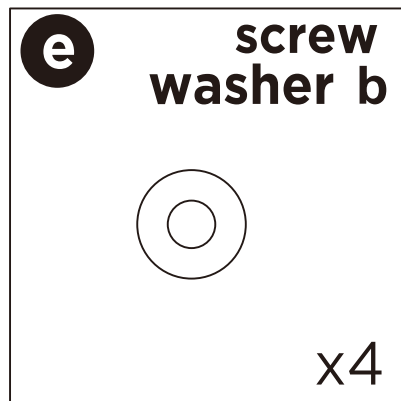
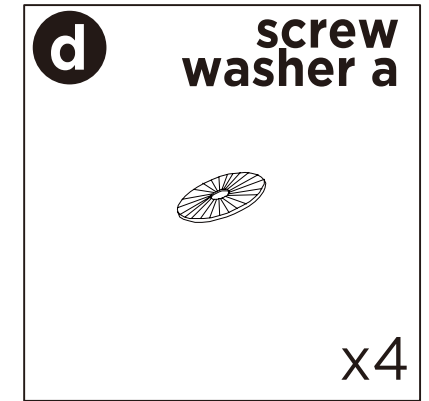
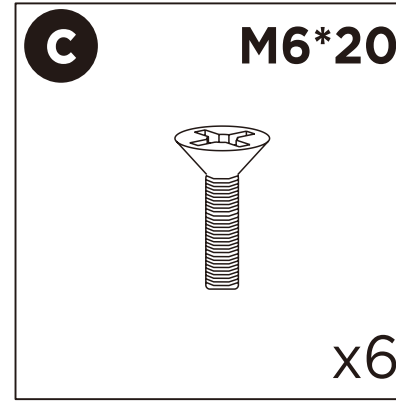
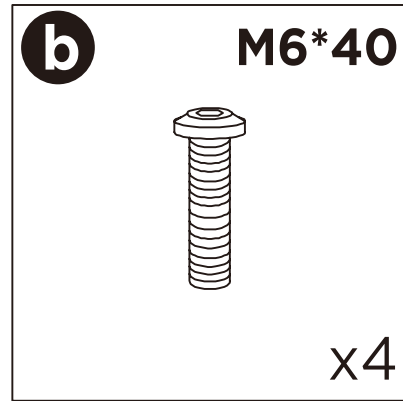
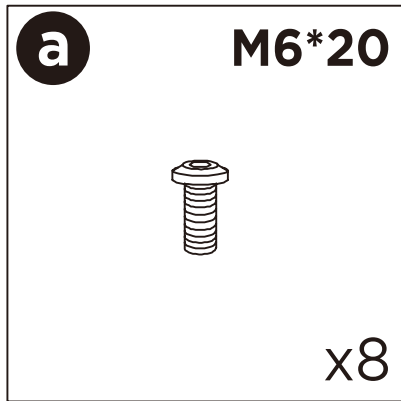
CHAISE



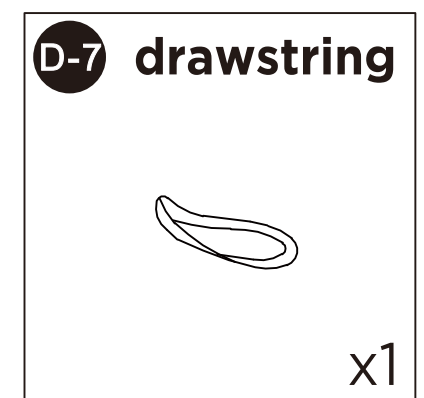
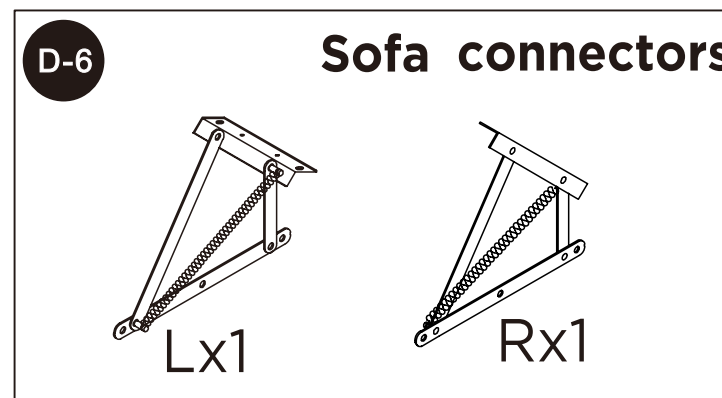
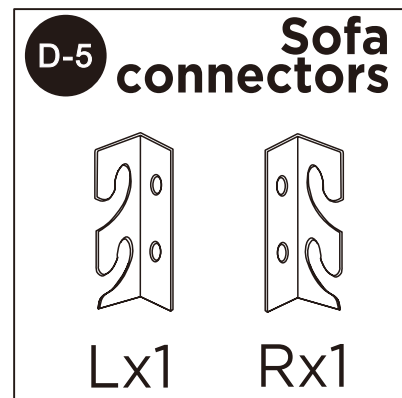
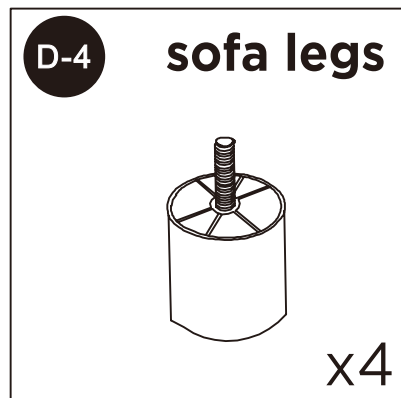
Main structure accessories



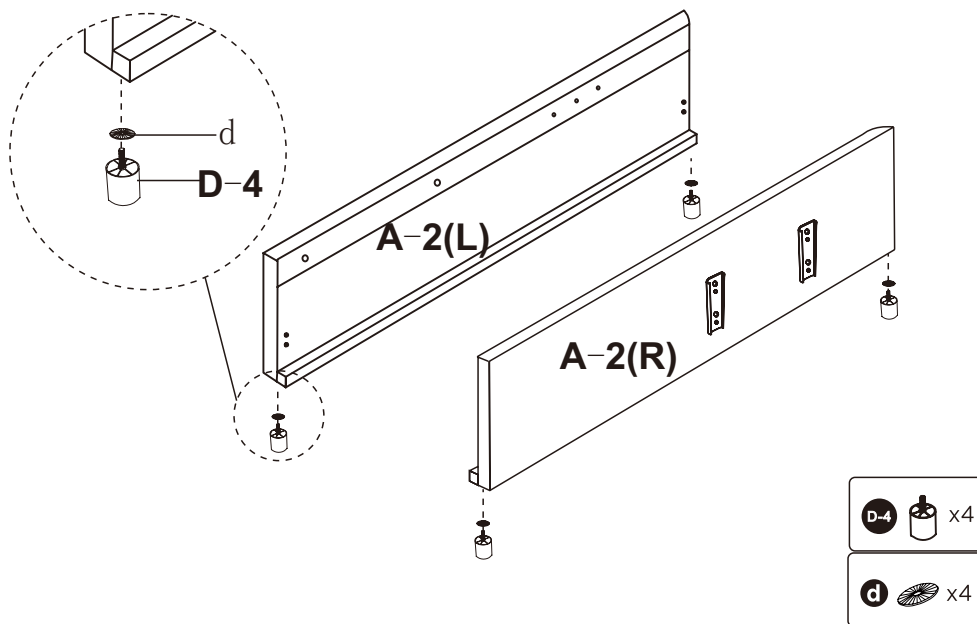
Hardware parts



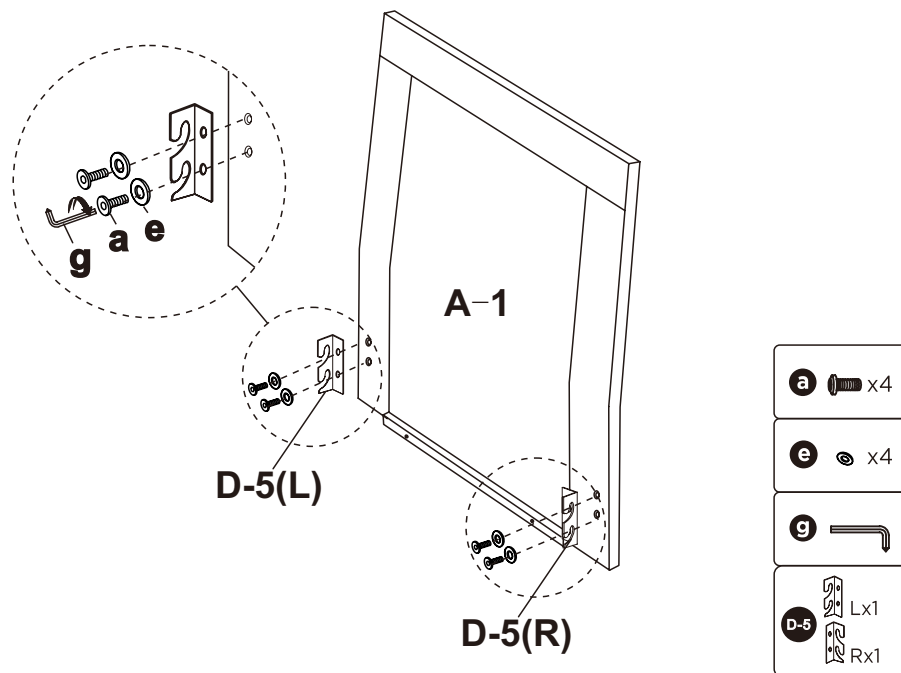
Structural accessories



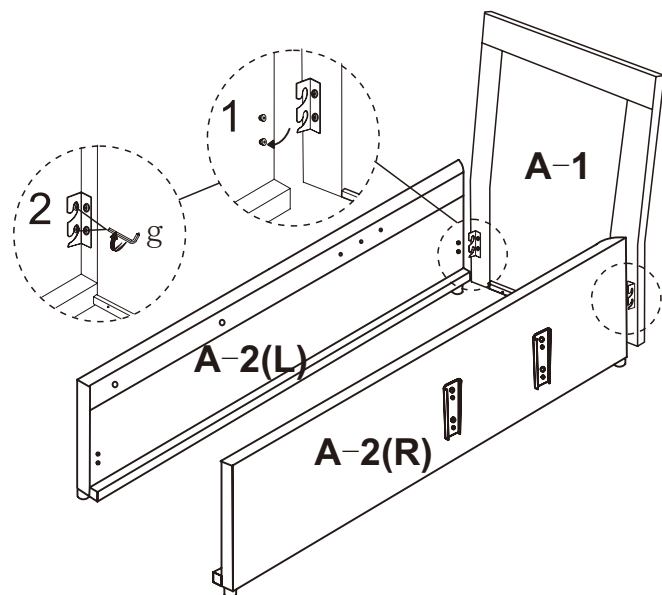
STEP 1



STEP 2



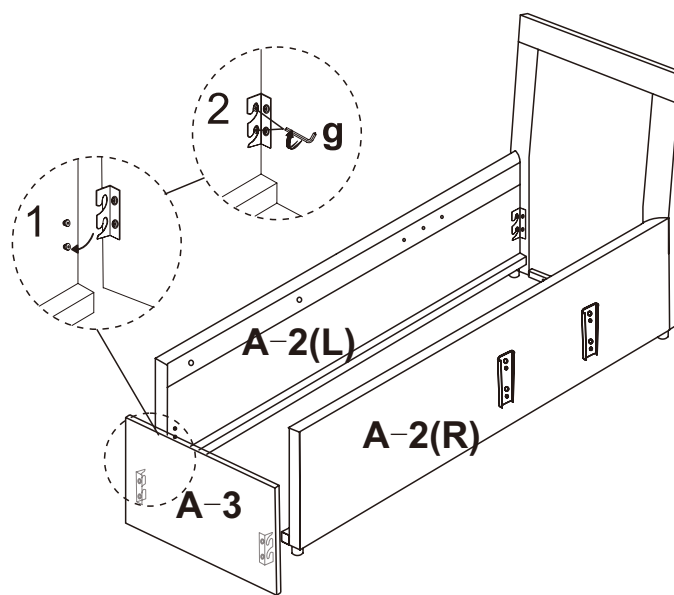
STEP 3



Loosen the screws properly first for better engagement.



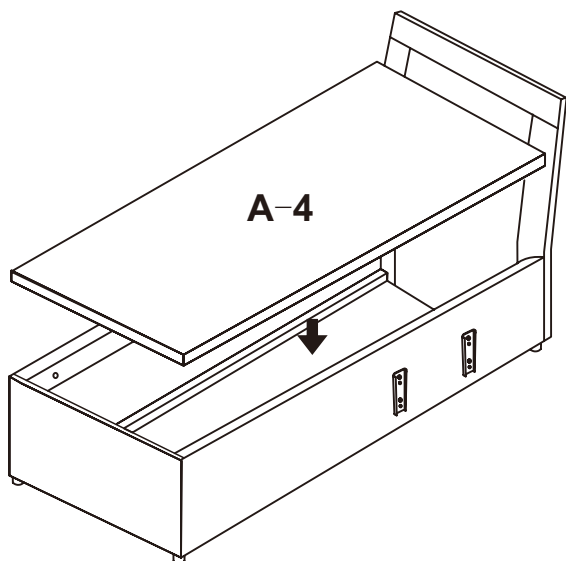
STEP 4



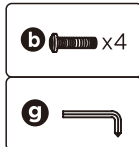
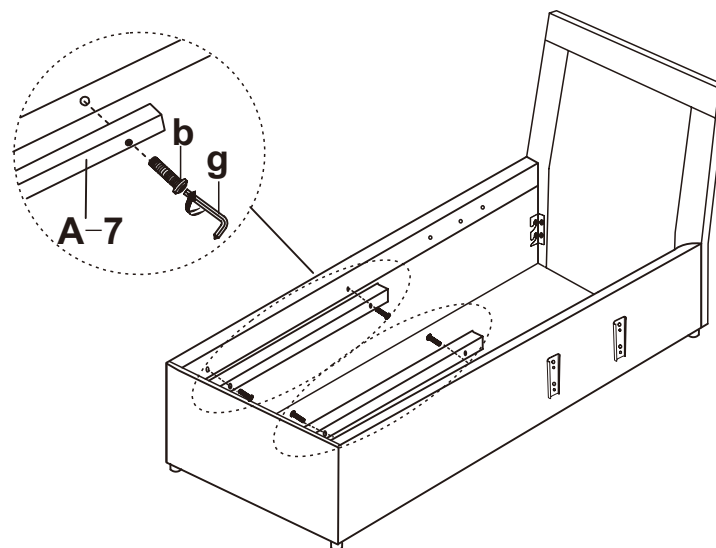
Loosen the screws properly first for better engagement.



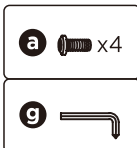
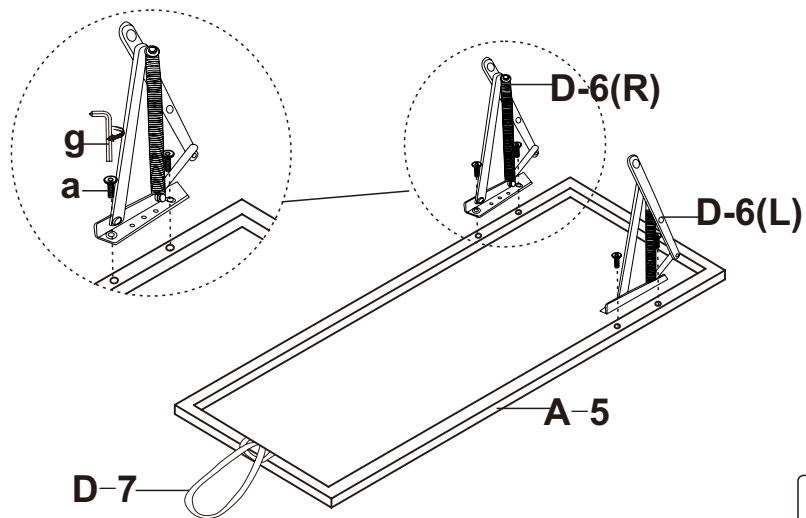
STEP 5



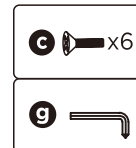
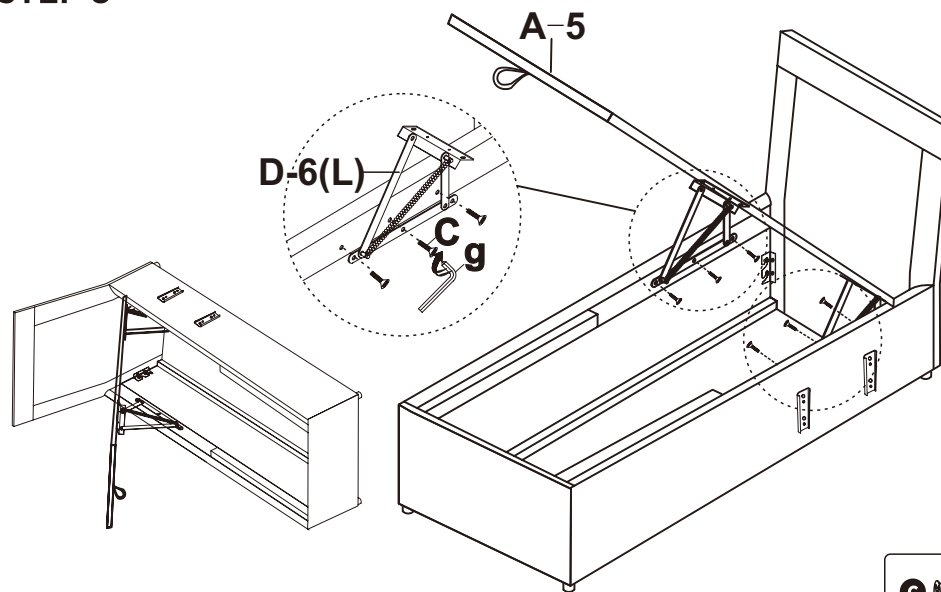
STEP 6



STEP 7

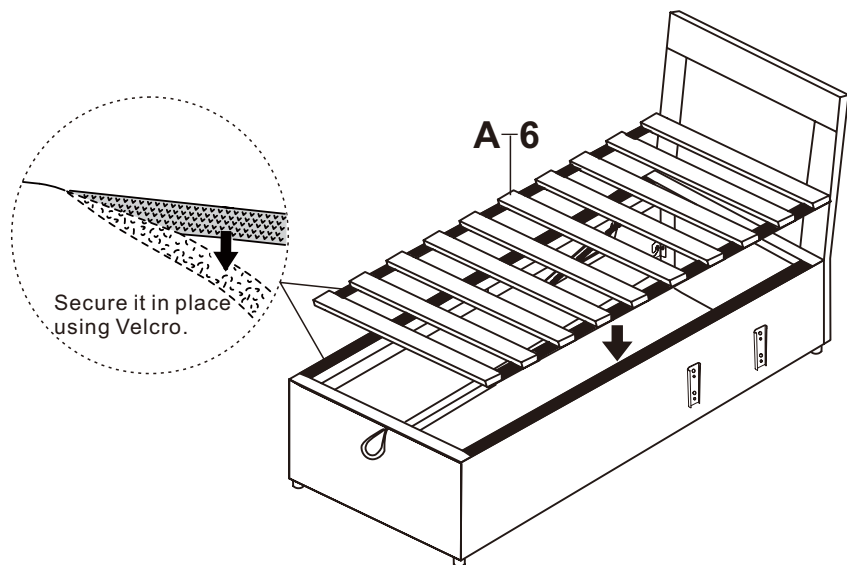


STEP 8

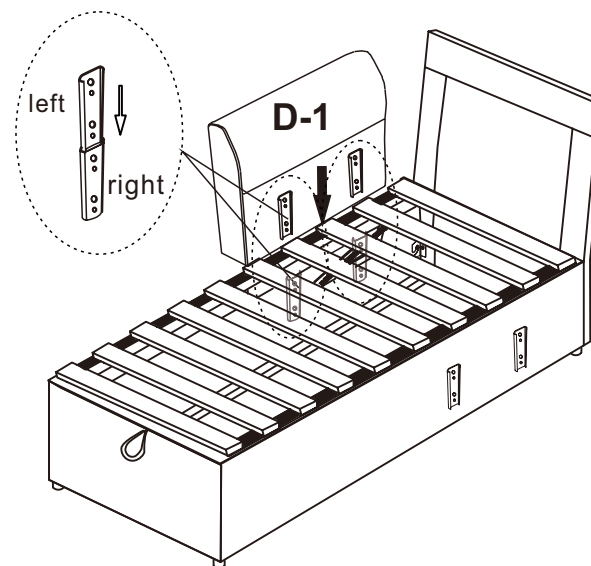


Installation is easier after tilting.

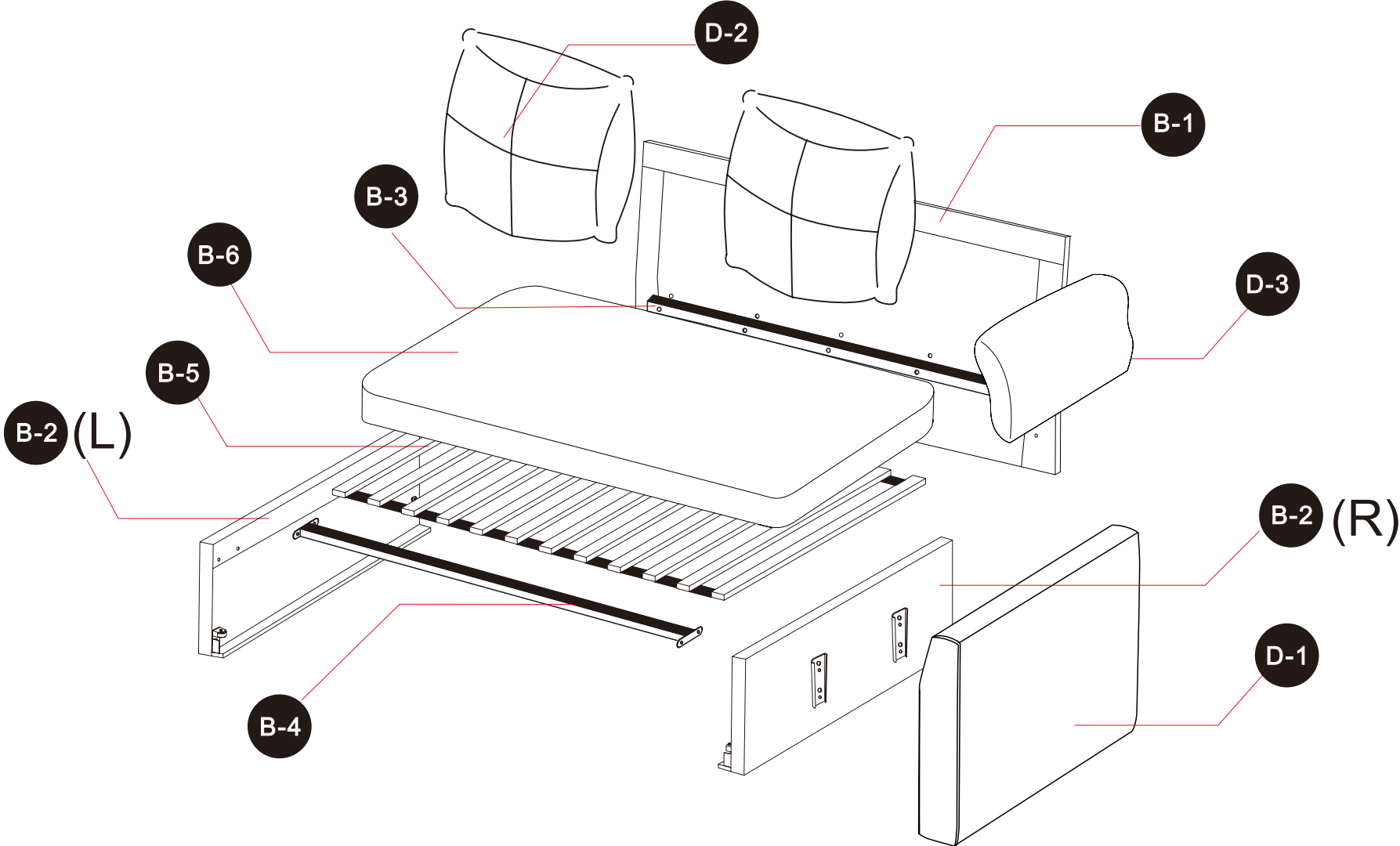
STEP 9



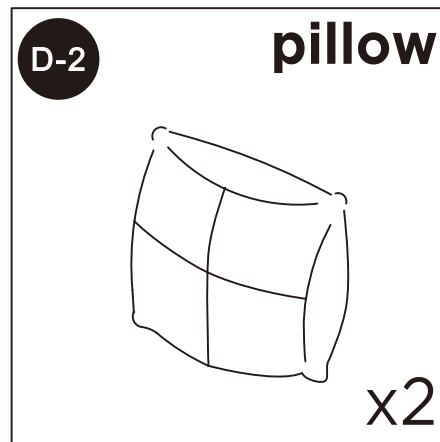
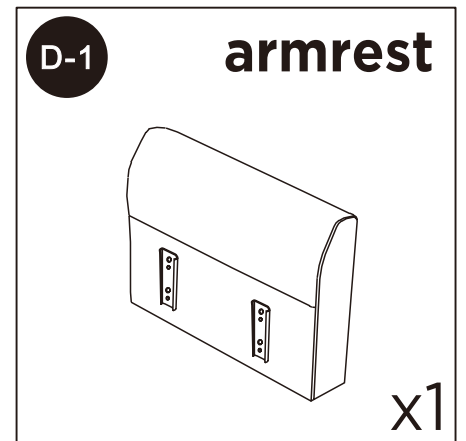
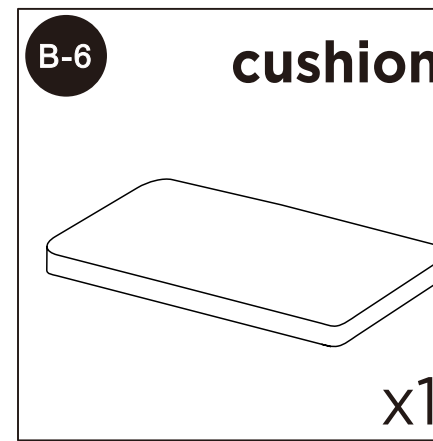
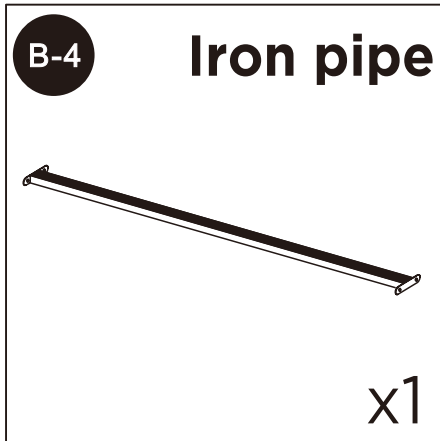
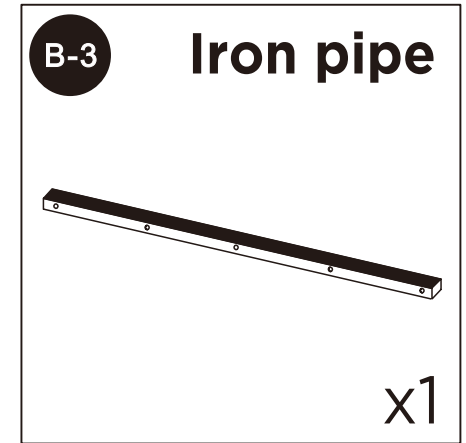
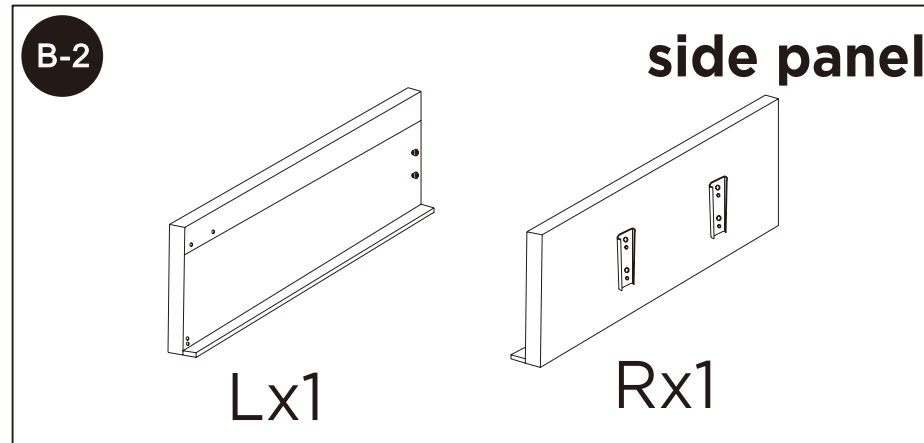
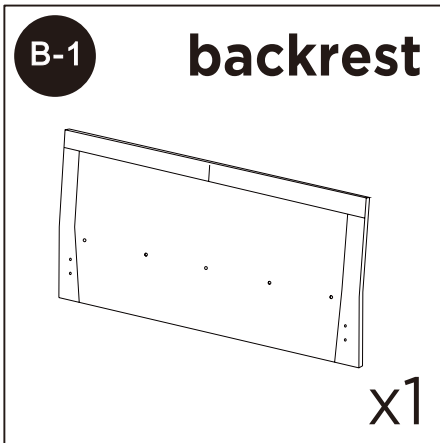
STEP 10



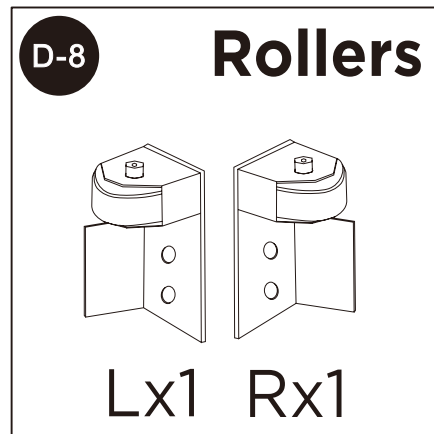
TWO SEATS



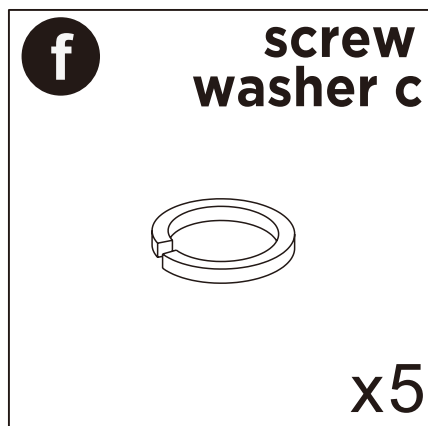
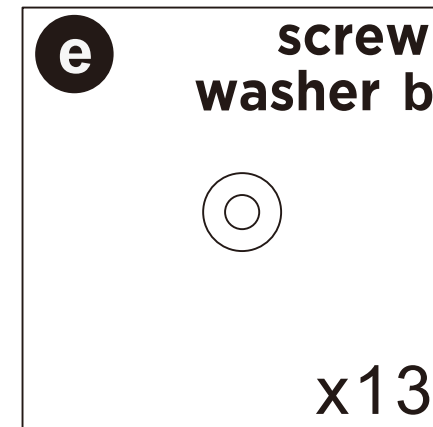
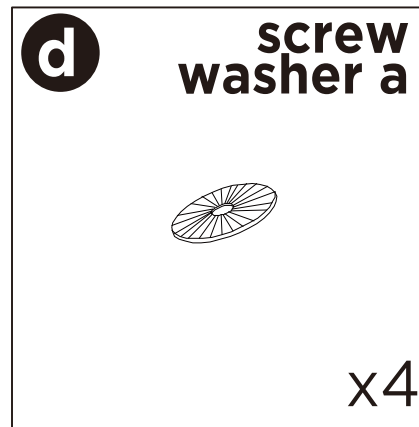
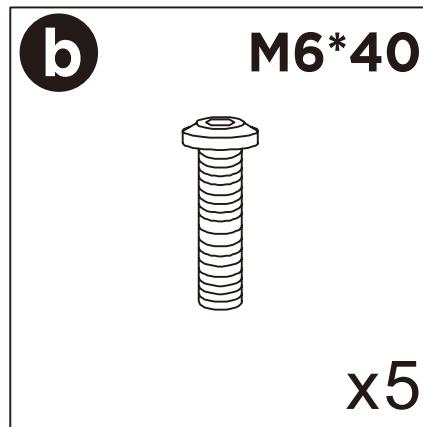
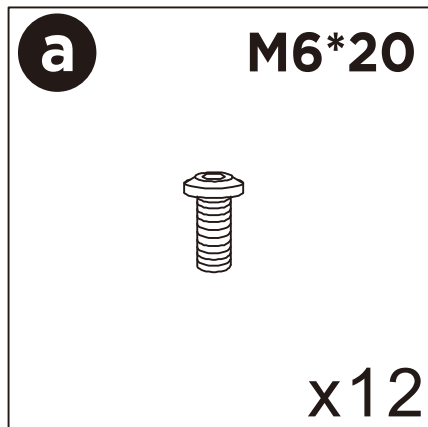
Main structure accessories



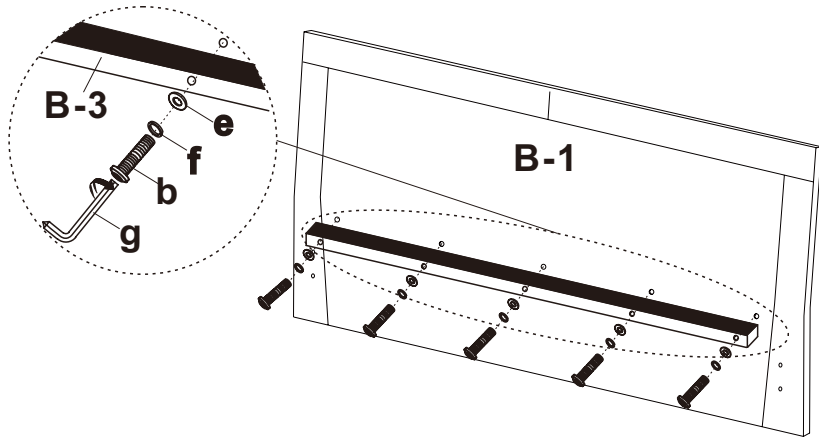
Structural accessories



Hardware parts

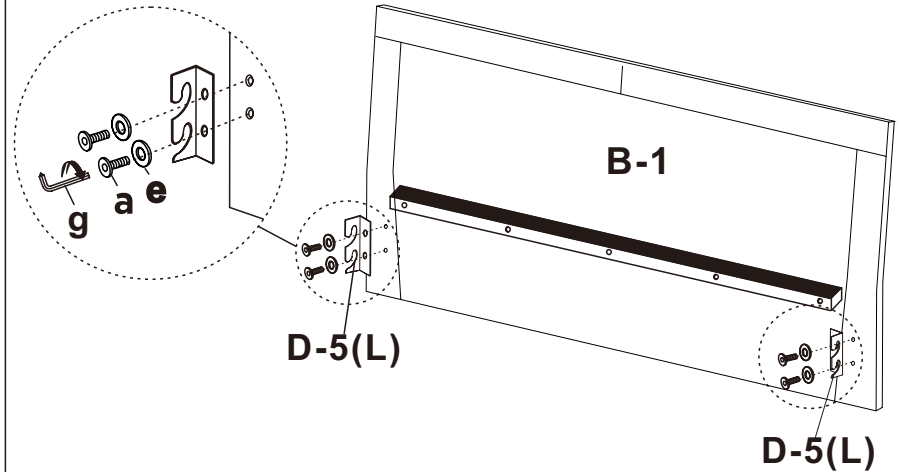


STEP 1



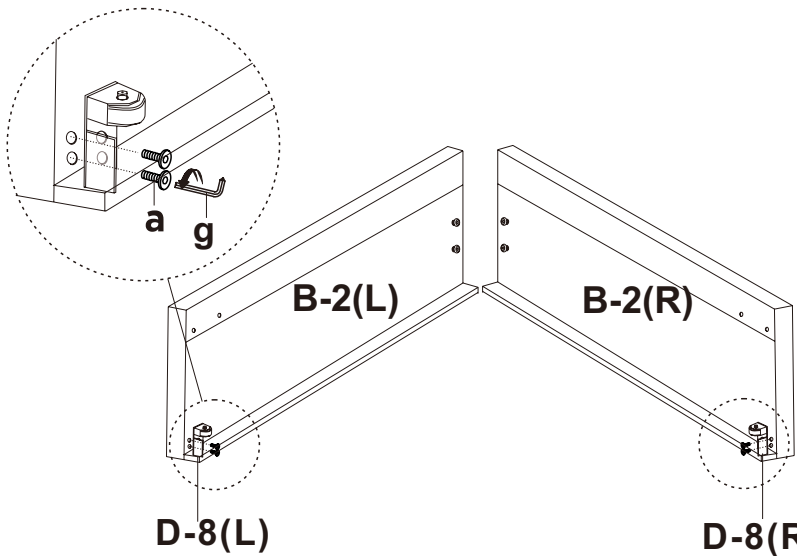
- b** x5
- f** x5
- e** x5
- g**

STEP 2



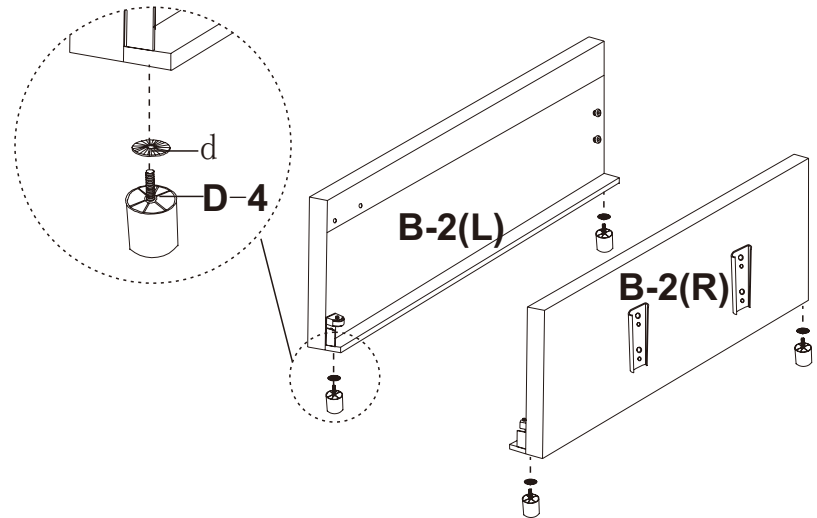
- a** x4
- e** x4
- g**
- D-5** Lx1
Rx1

STEP 3



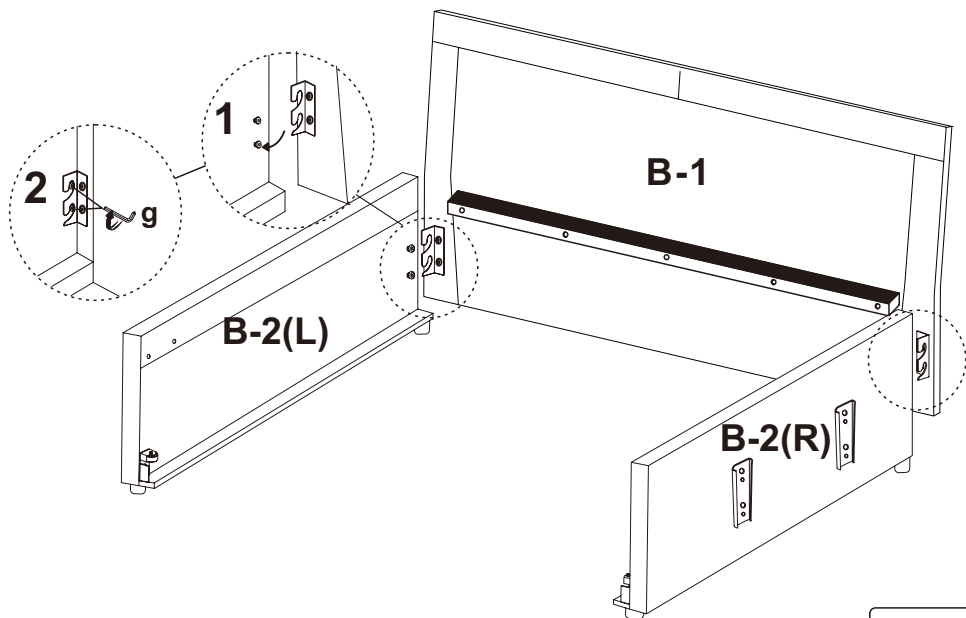
- a** x4
- g**
- D-8** Lx1
Rx1

STEP 4



- D-4** x4
- d** x4

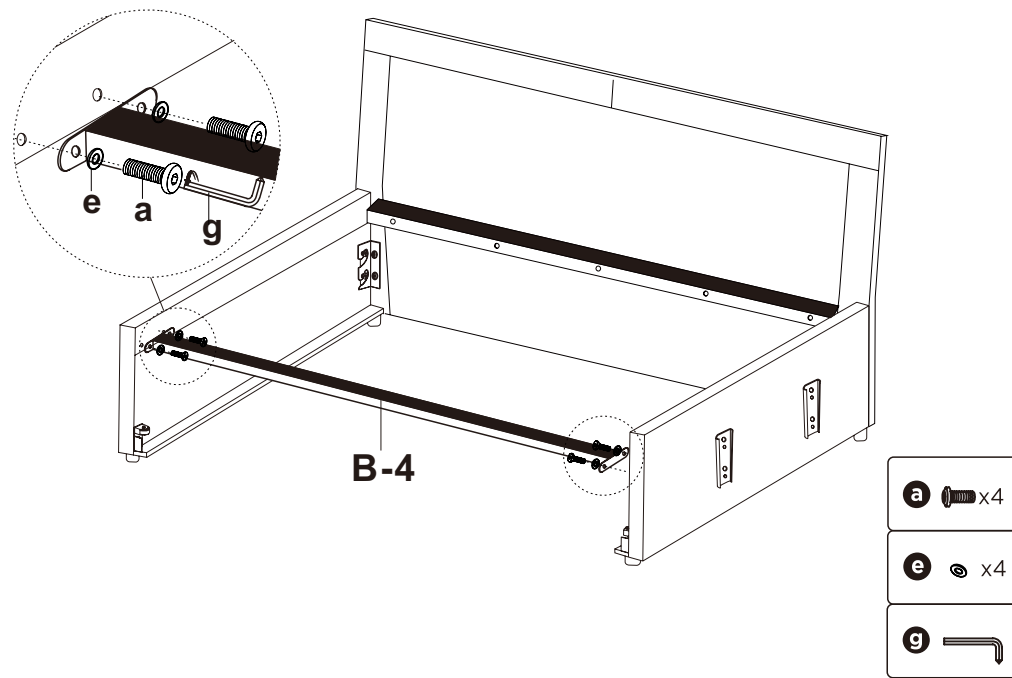
STEP 5



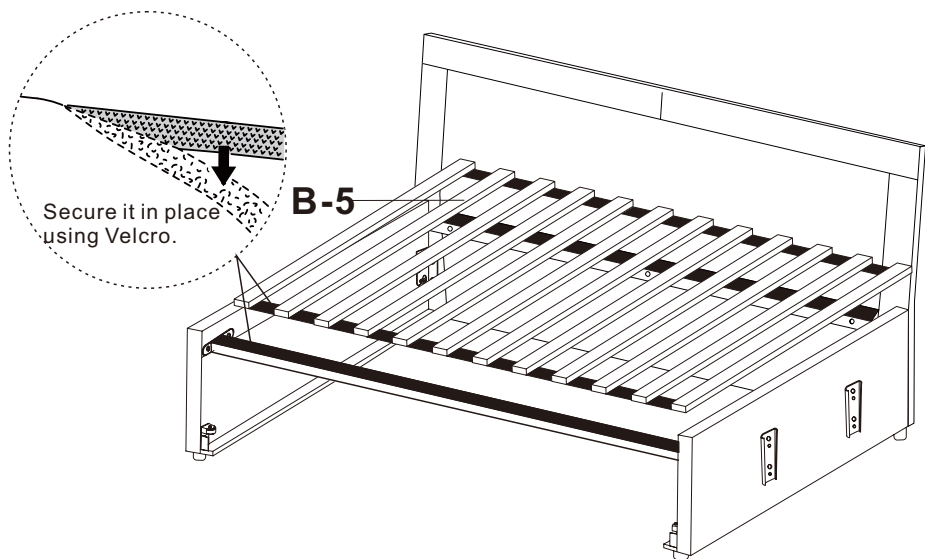
Loosen the screws properly first for better engagement.



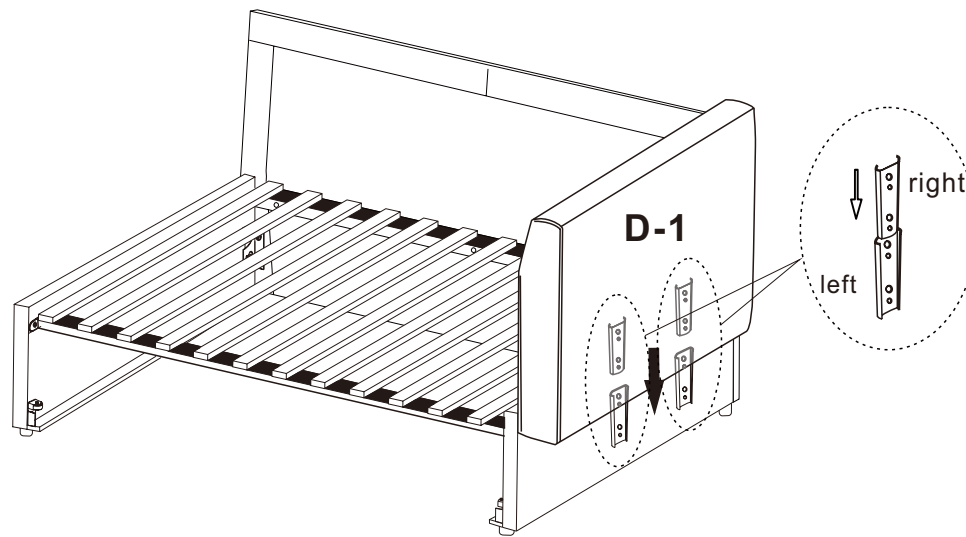
STEP 6



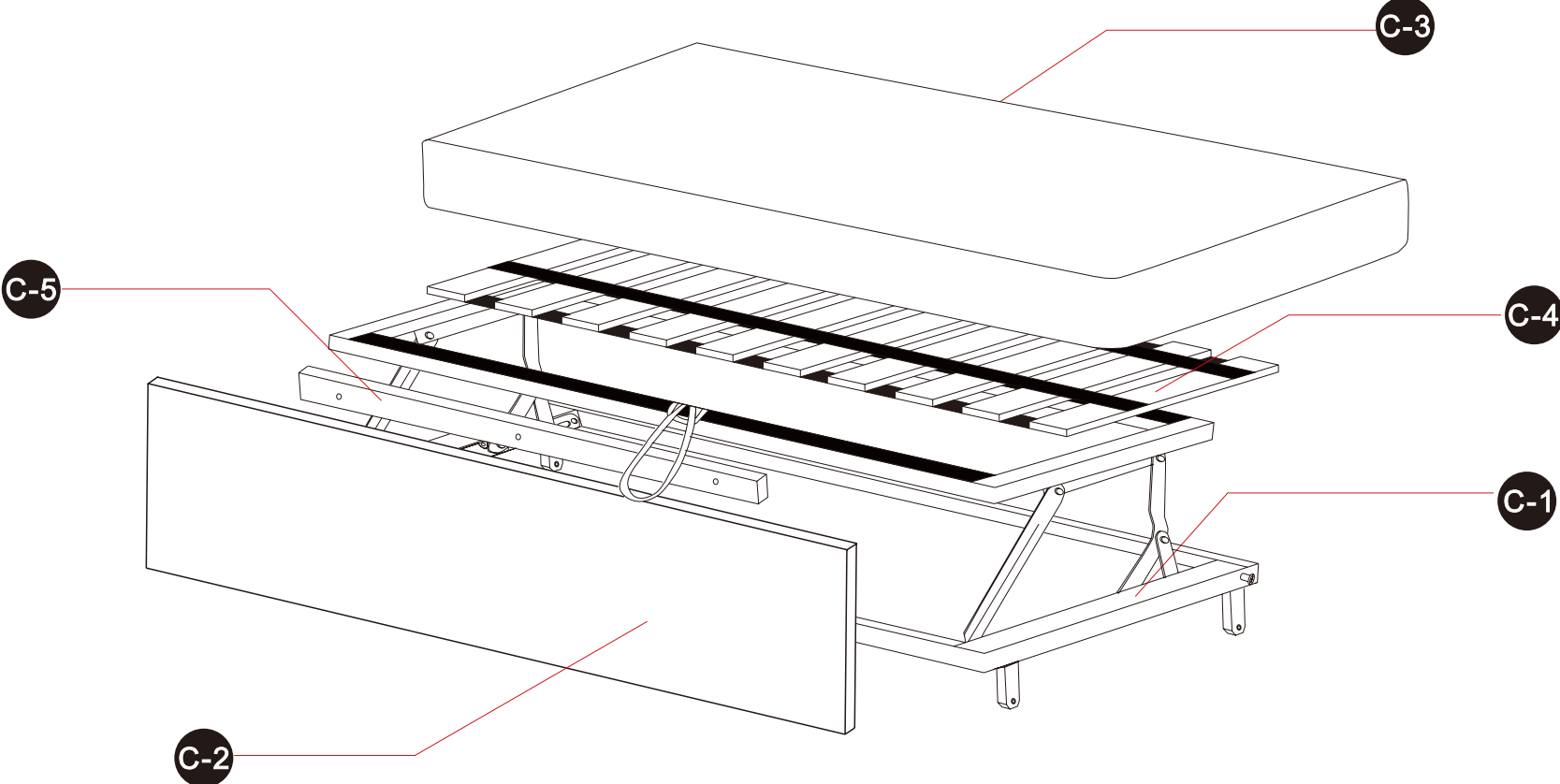
STEP 7



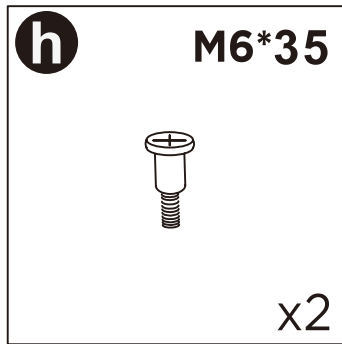
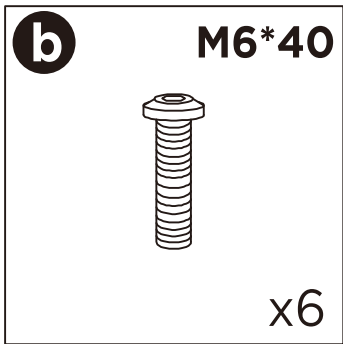
STEP 8



MATTRESS



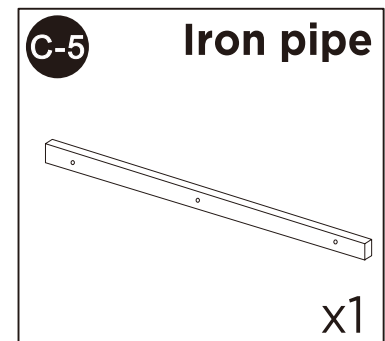
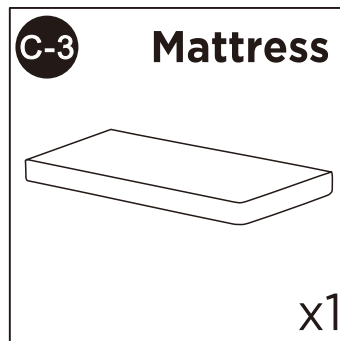
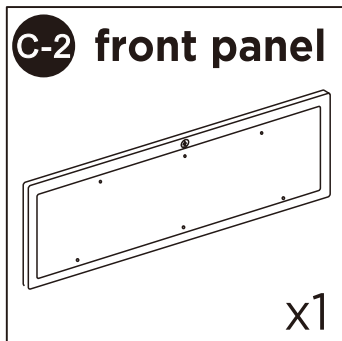
Hardware parts



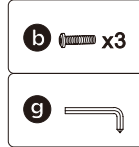
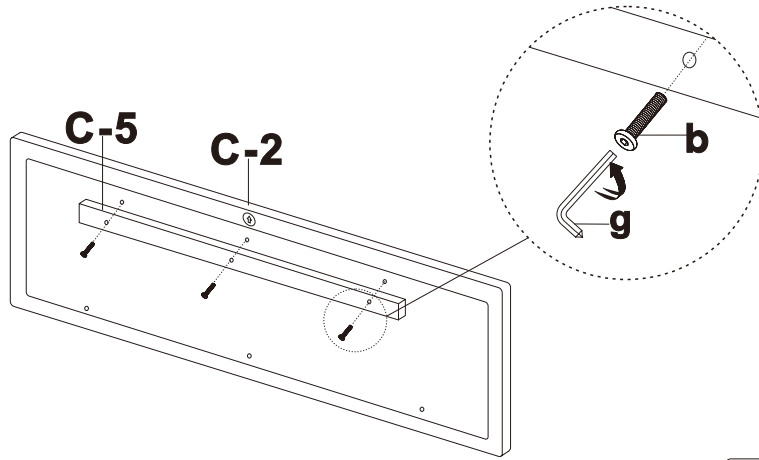
Structural accessories



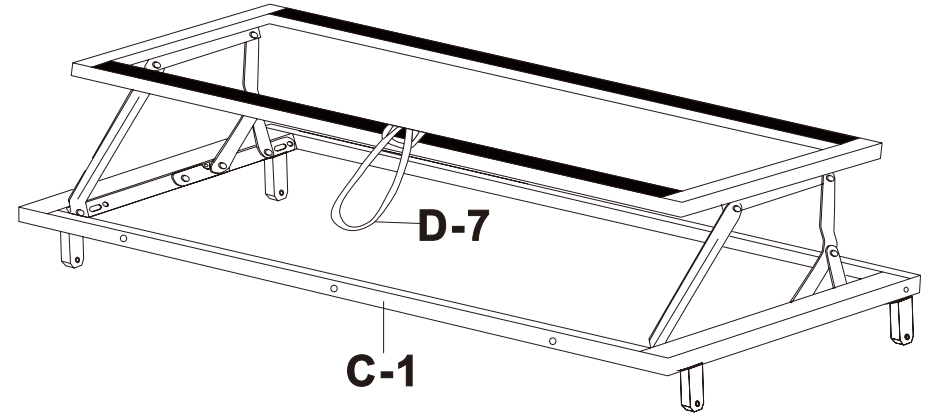
Main structure accessories



STEP 1

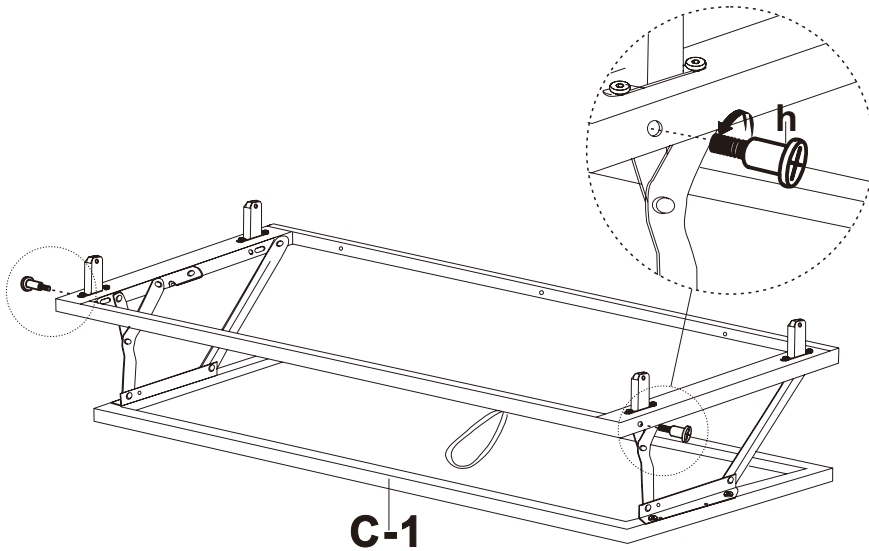


STEP 2

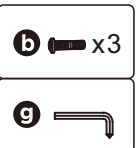
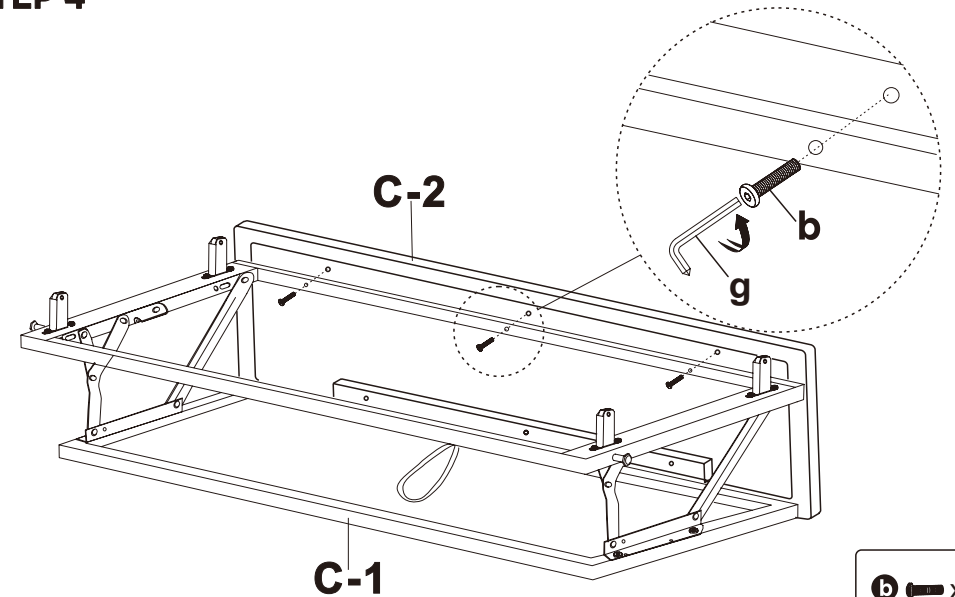


Tie the drawstring and use it to pull open the drawers and life supporting and life supporting.

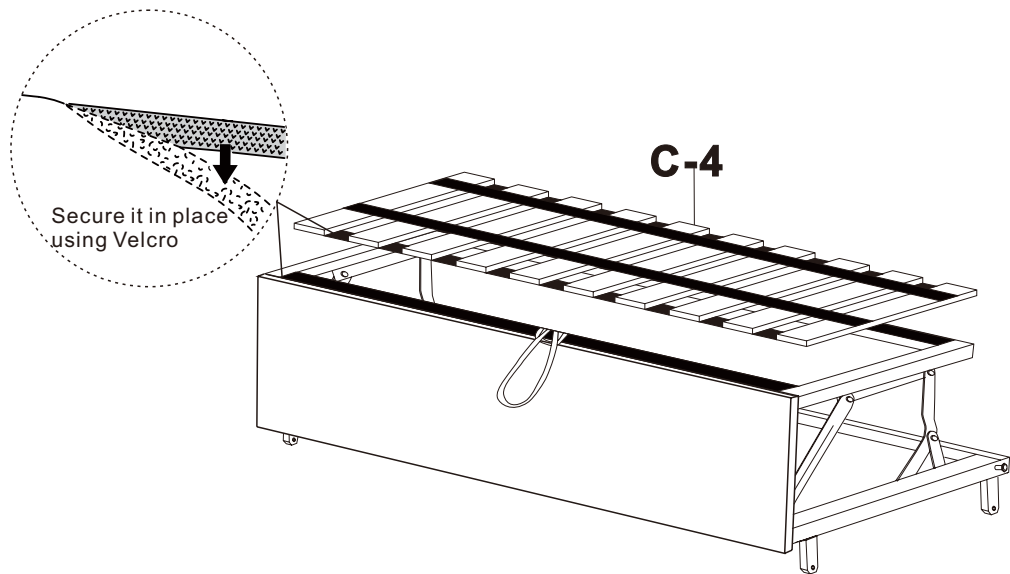
STEP 3



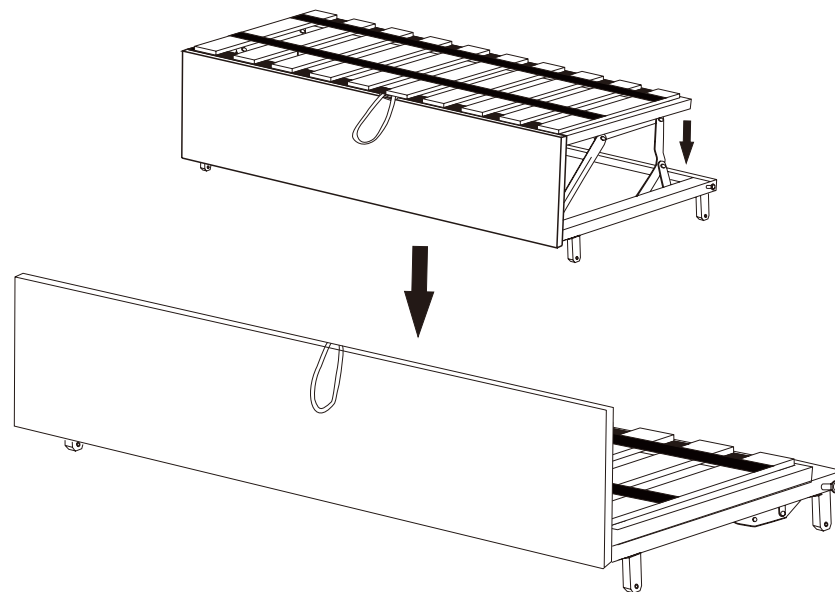
STEP 4



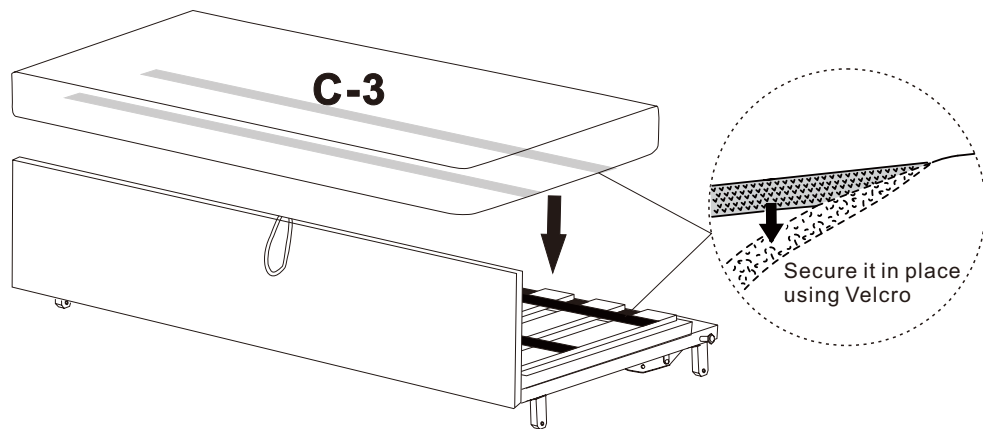
STEP 5



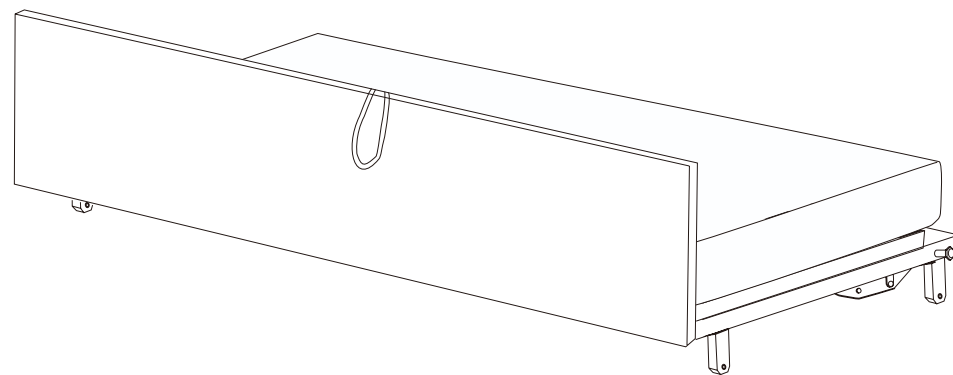
STEP 6



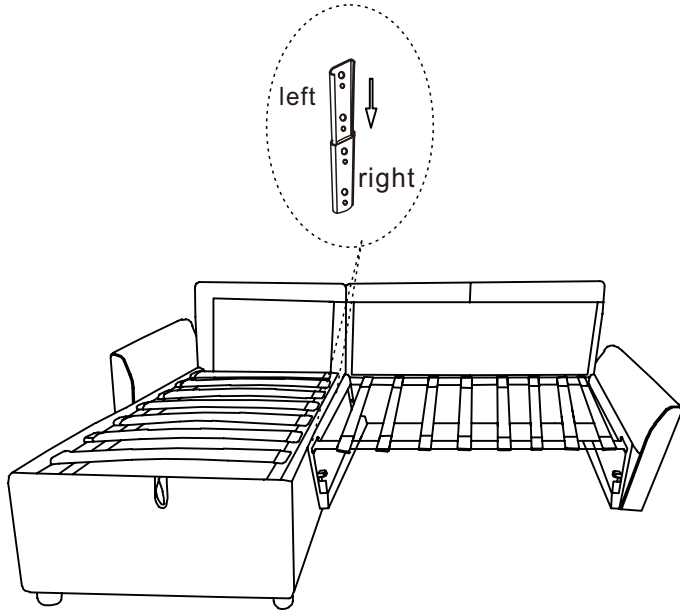
STEP 7



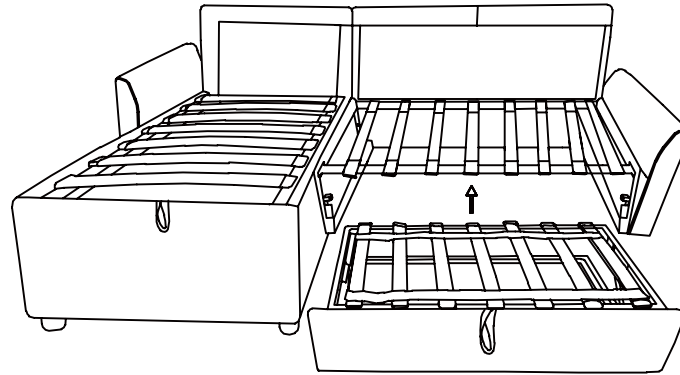
STEP 8



STEP 1

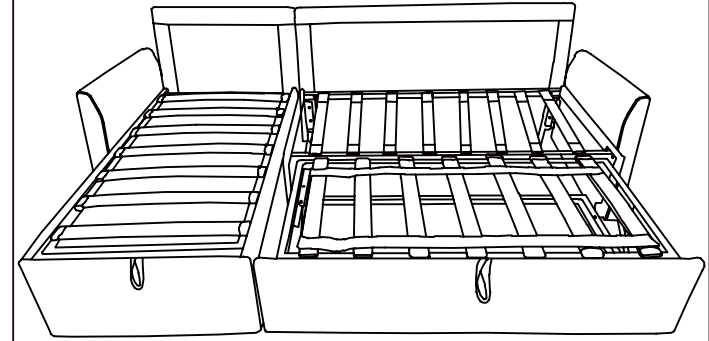


STEP 2

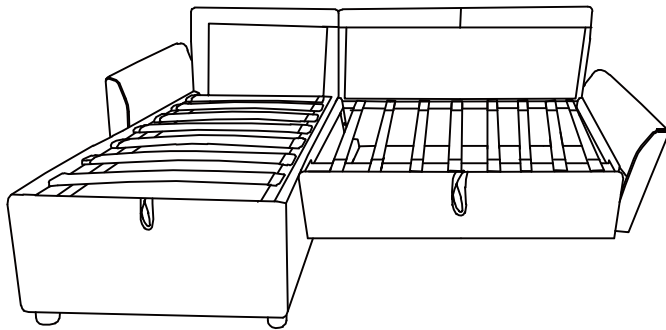


Slide it slightly and place it on the track.

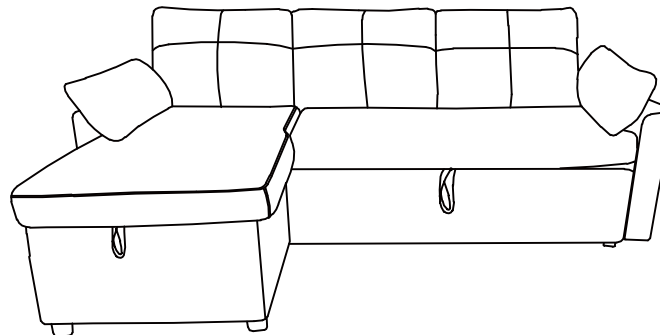
STEP 3



STEP 4



STEP 5



STEP 6

