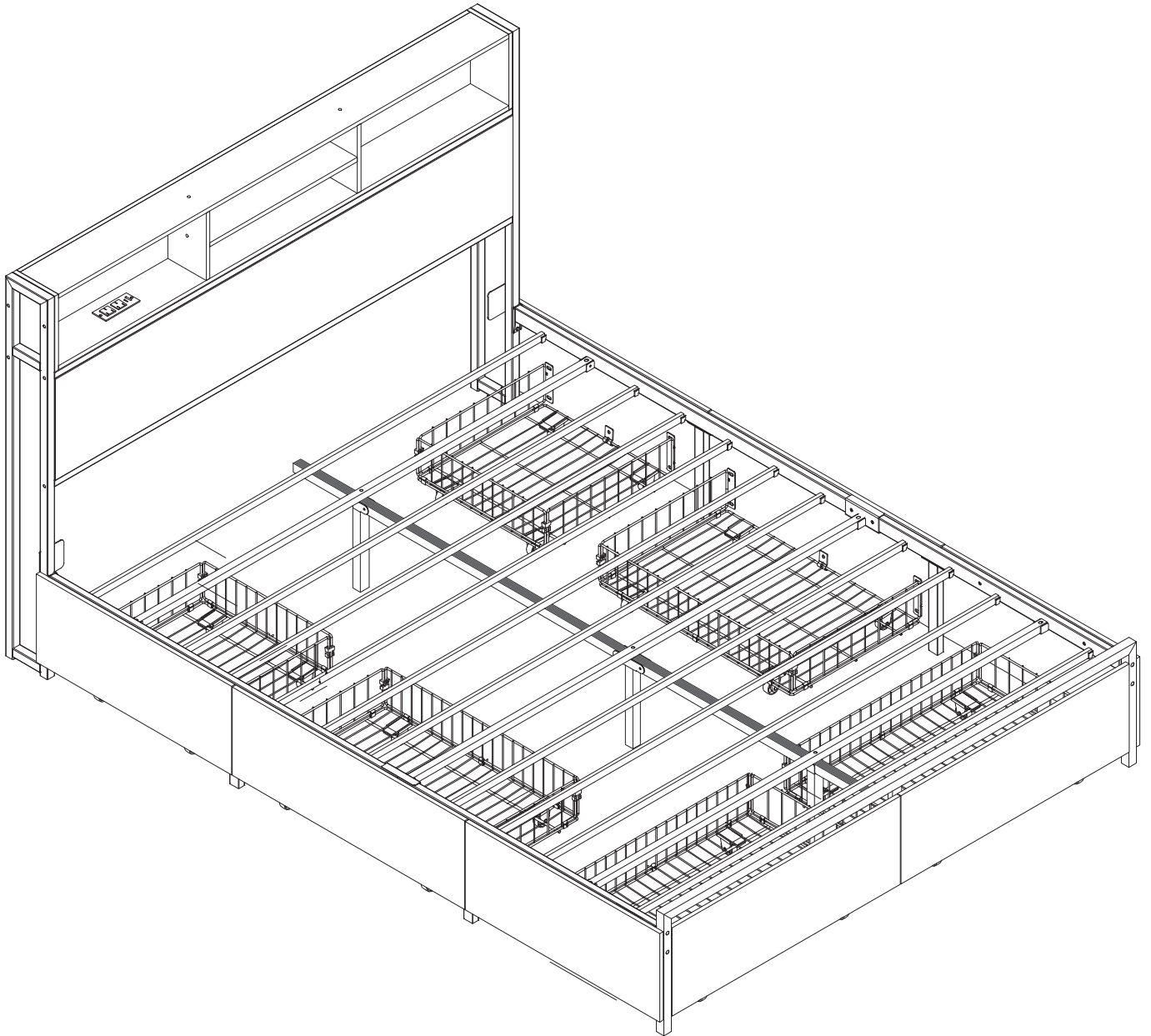


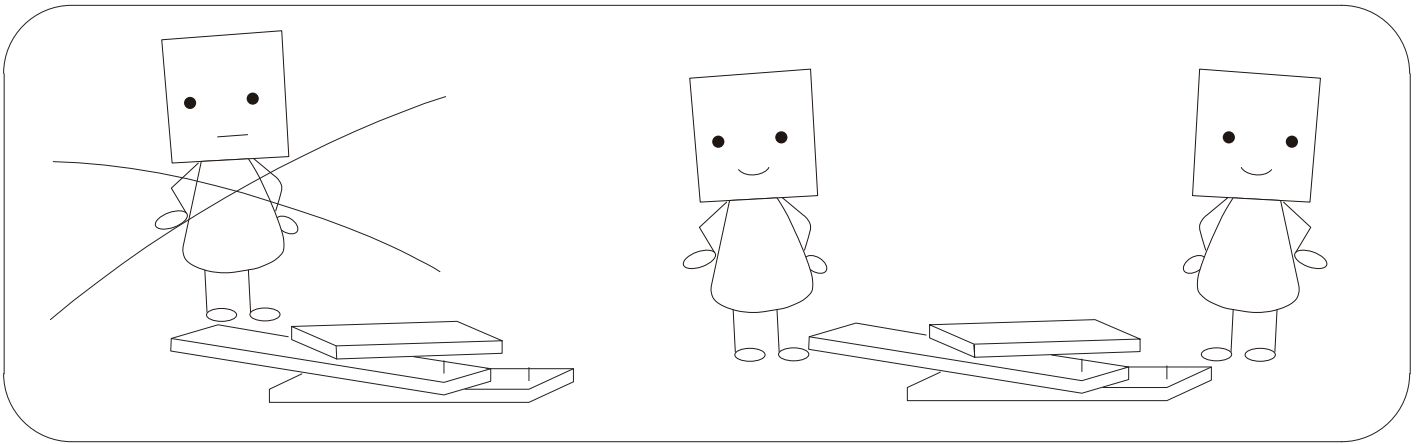
# ASSEMBLY INSTRUCTION



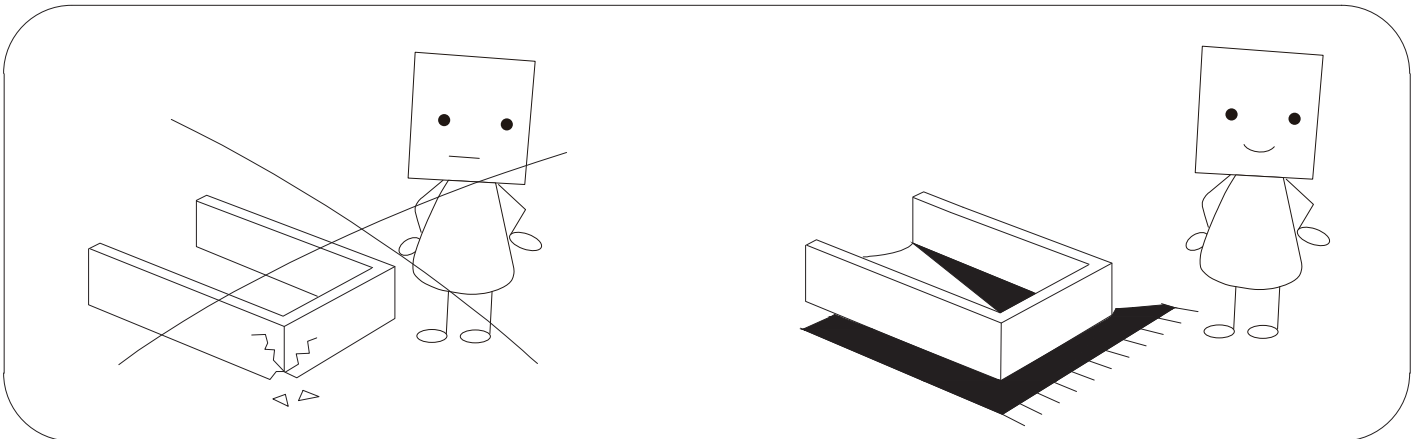


# WARNING

Need Two Or More People To Complete

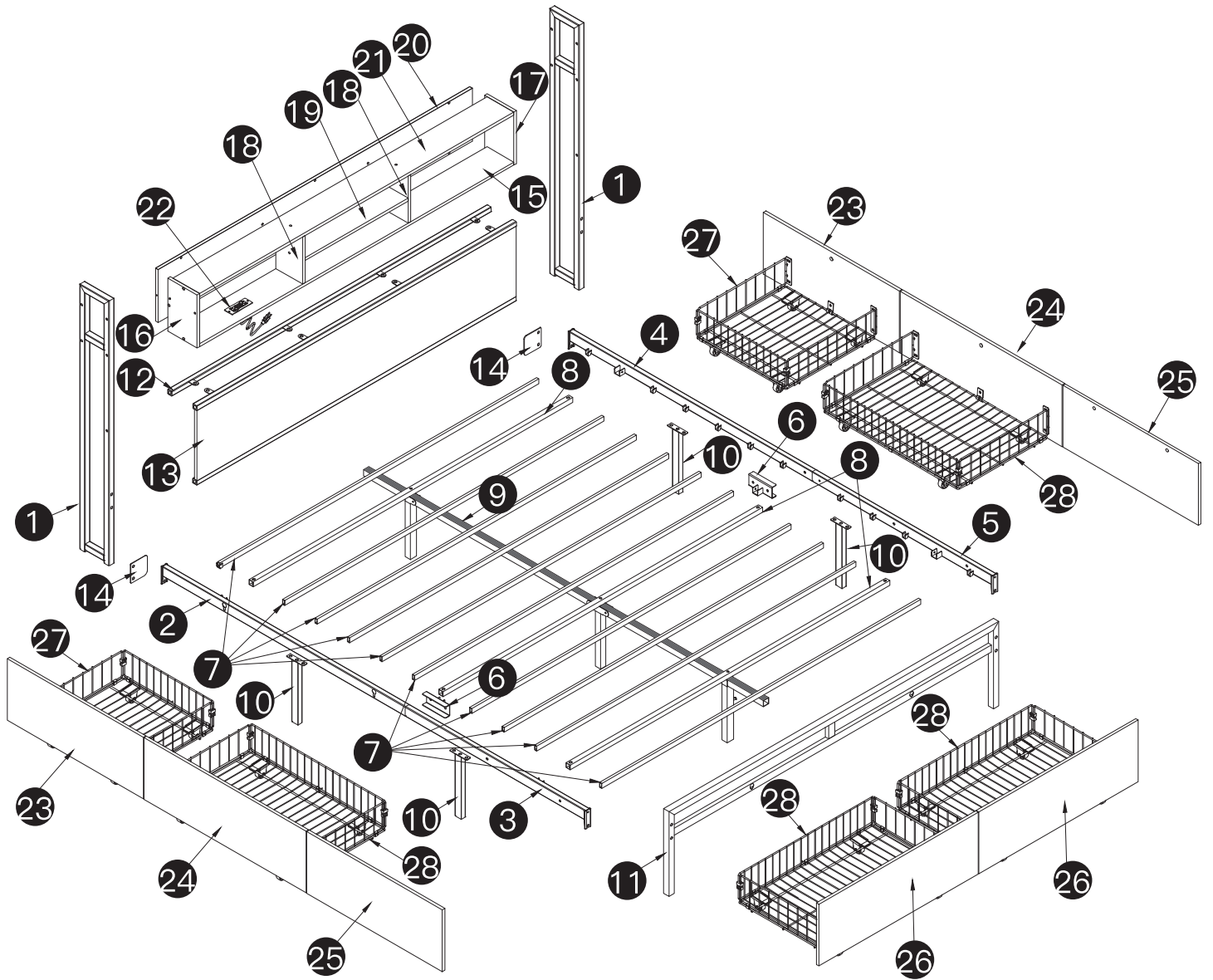


Assemble Item On a Clean Flat Surface



- Please check you have all hardware before assembling.
- Please ensure you have the name of the item and hardware part required and quantity.
- If you have any questions, please contact us by original purchase platform. we will reply you ASAP.

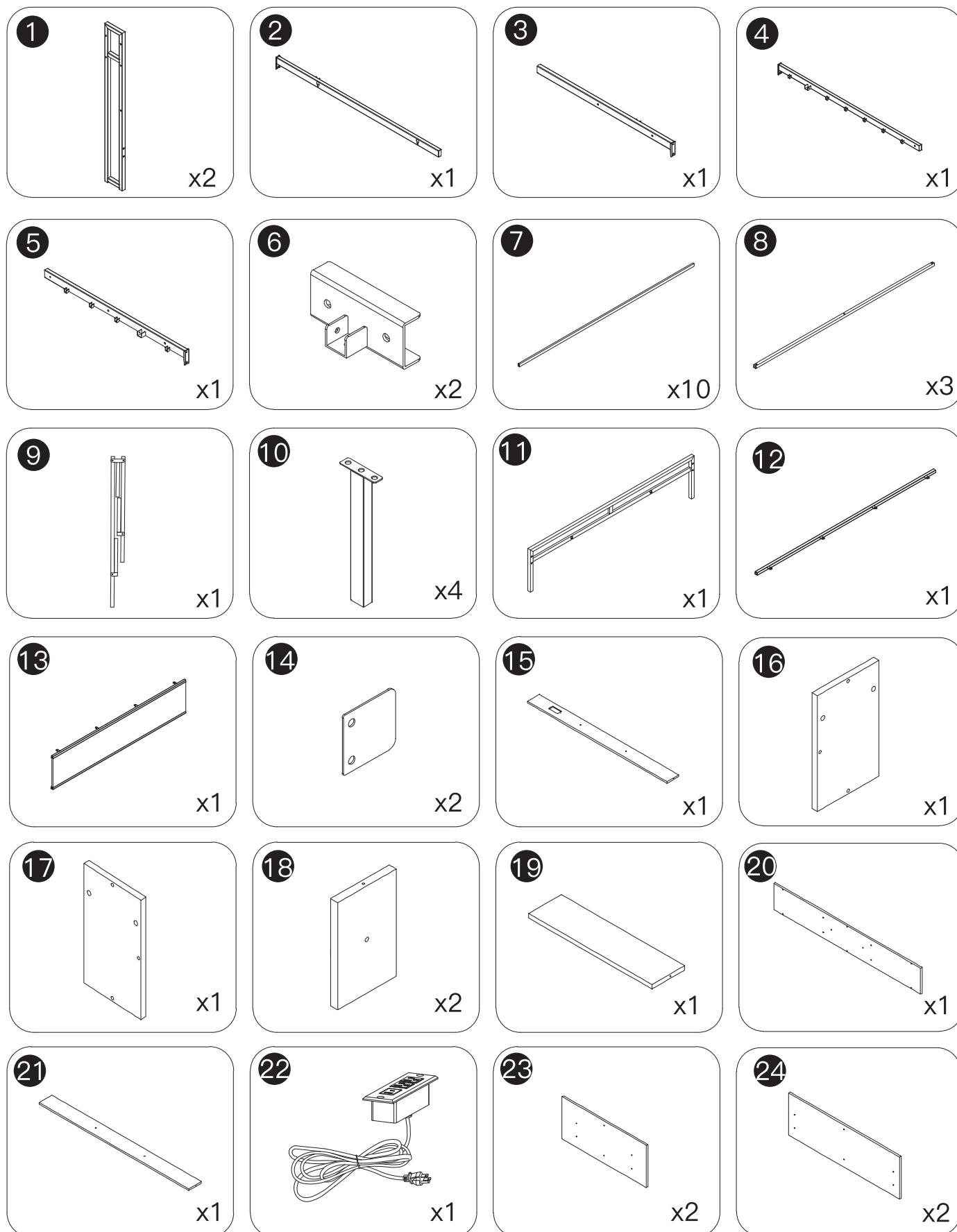
# EXPLODED DRAWING:

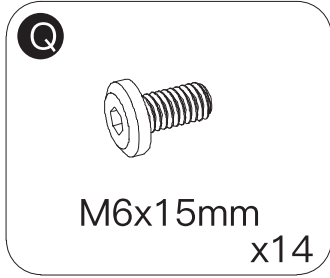
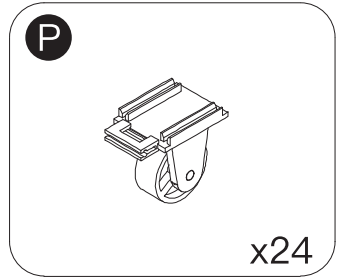
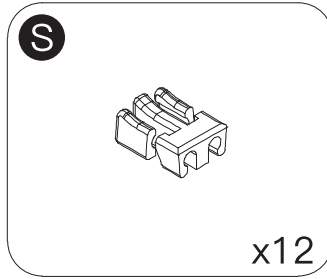
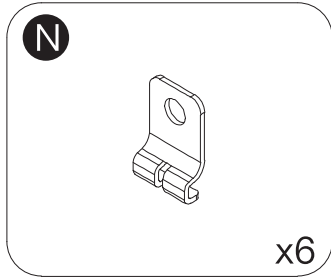
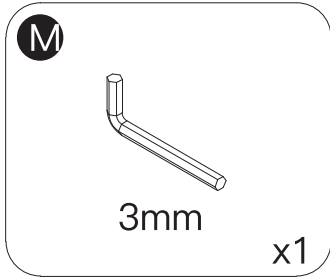
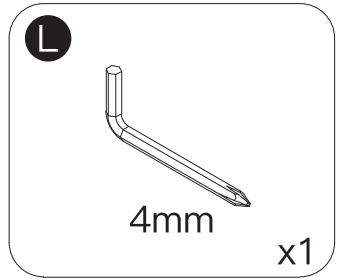
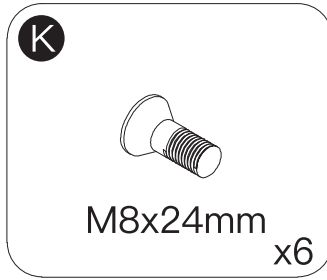
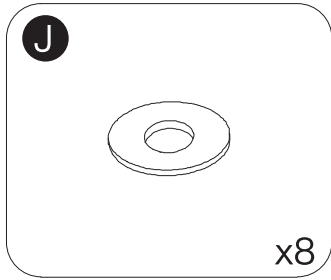
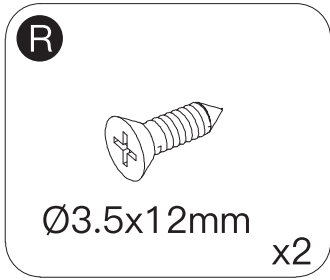
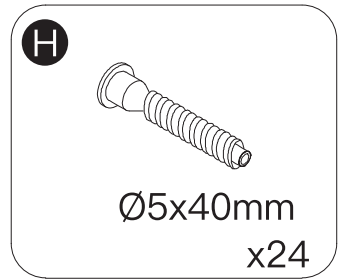
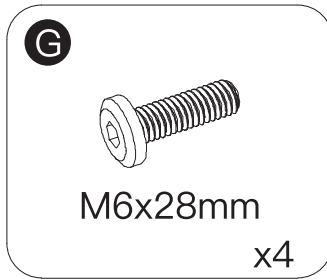
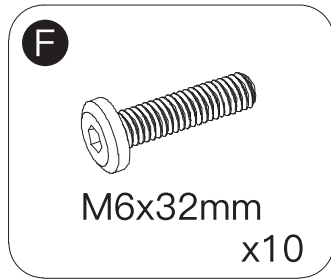
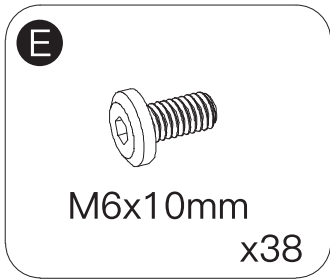
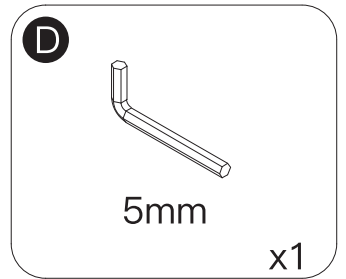
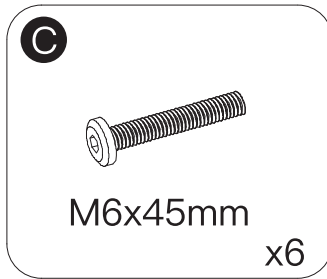
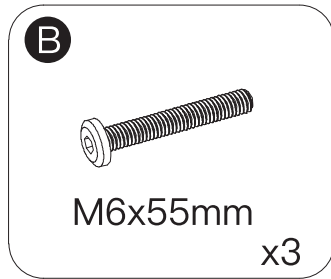
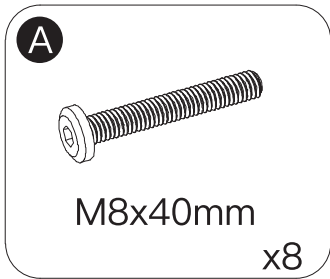
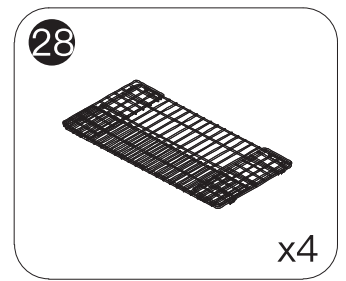
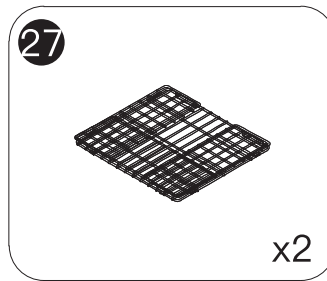
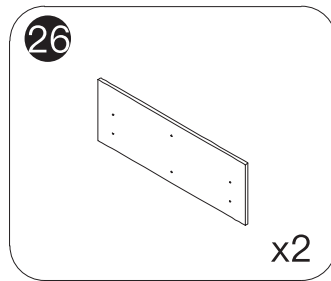
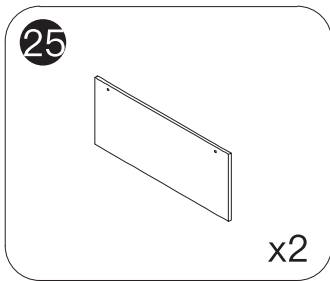


Please check all parts and accessories according to the parts list before assembling, make sure all contents are sufficient and in good condition.

If there is any parts missing or defective, please contact us with purchase platform message immediately to get replacement parts.

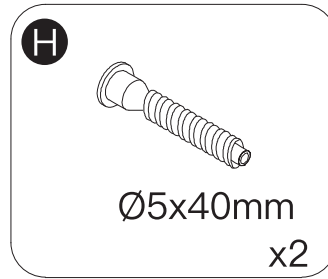
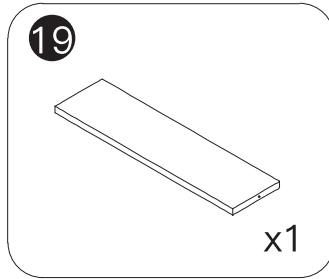
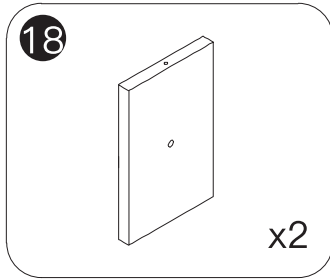
## PARTS:





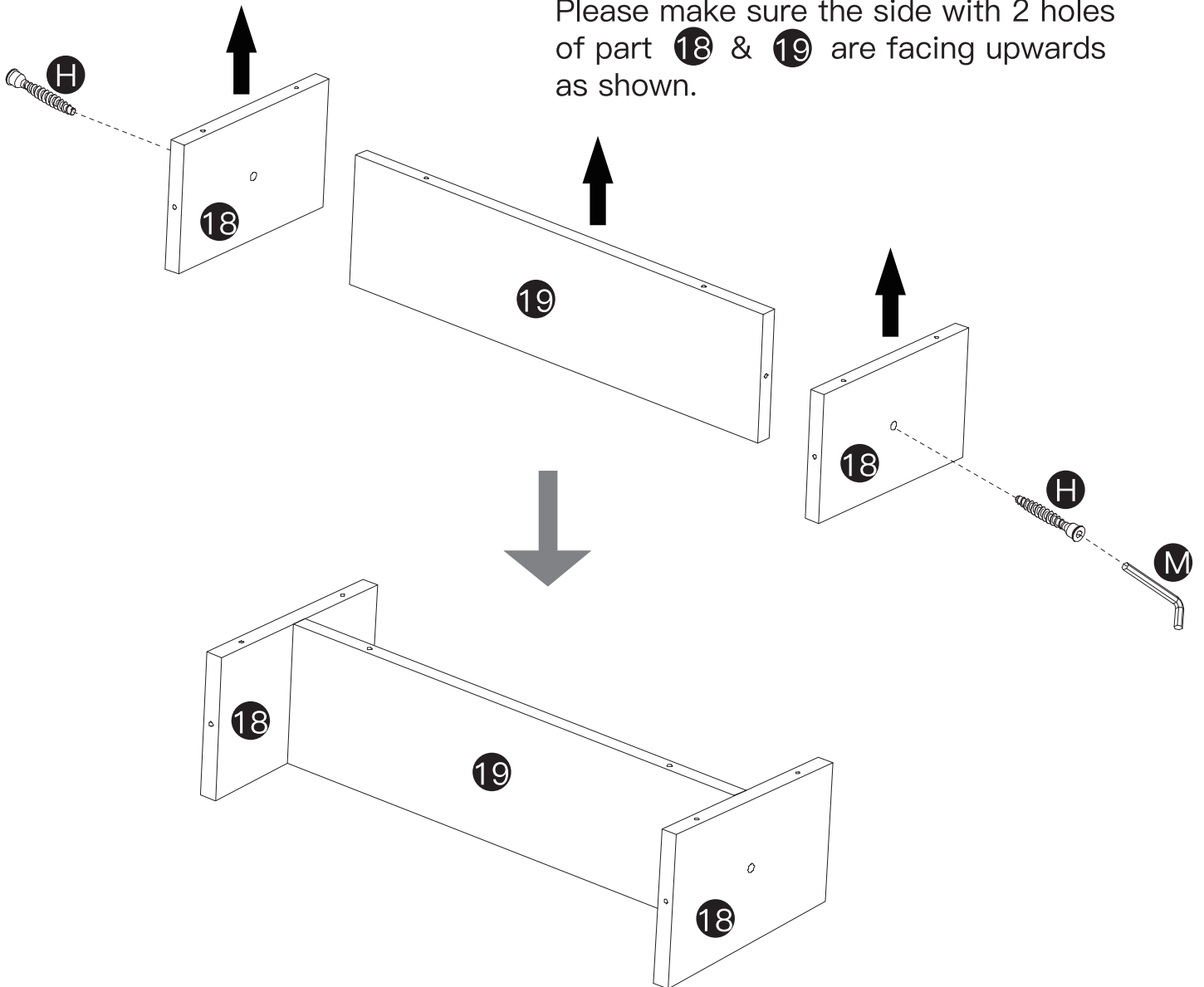
# HOW TO INSTALL

## STEP 1

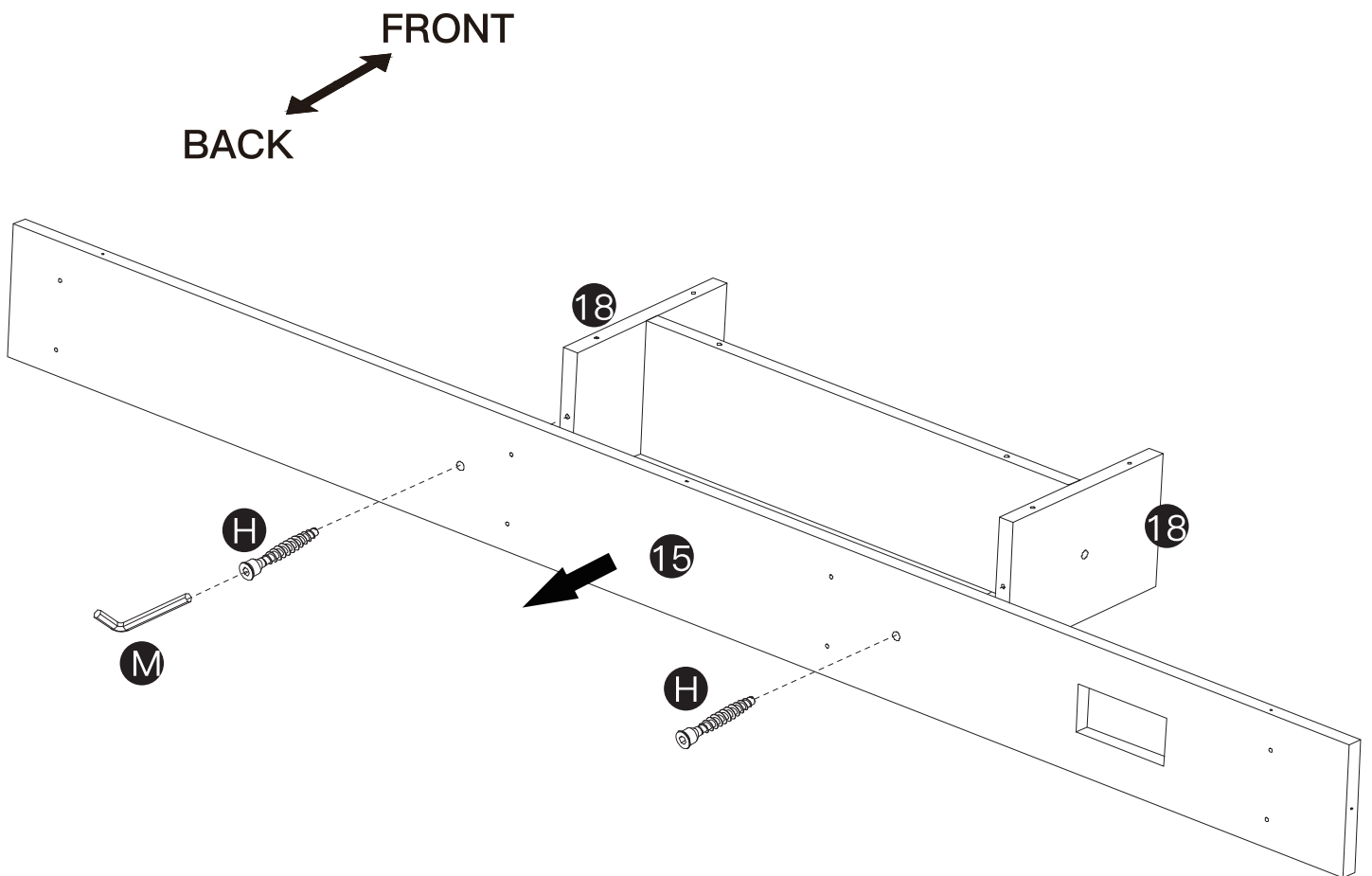
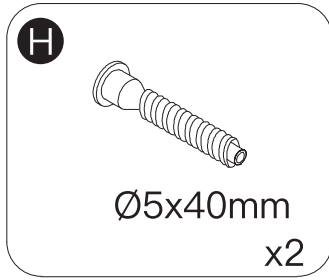
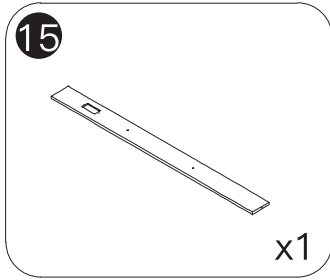


### NOTICE:

Please make sure the side with 2 holes of part 18 & 19 are facing upwards as shown.



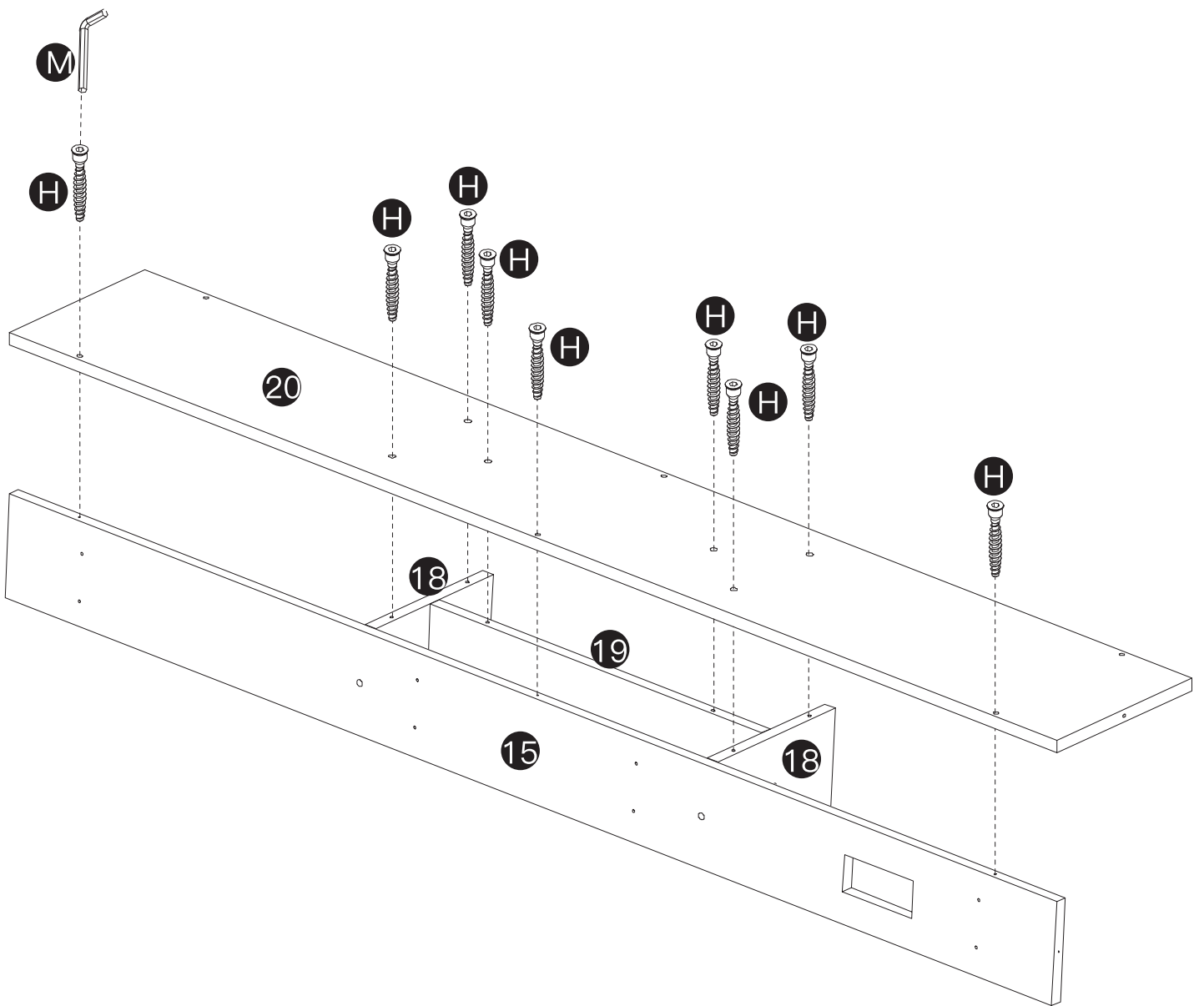
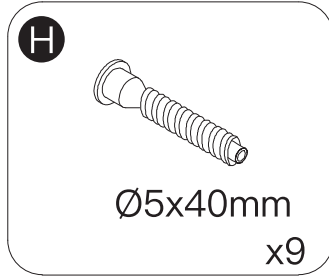
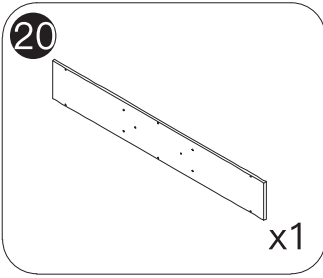
## STEP 2



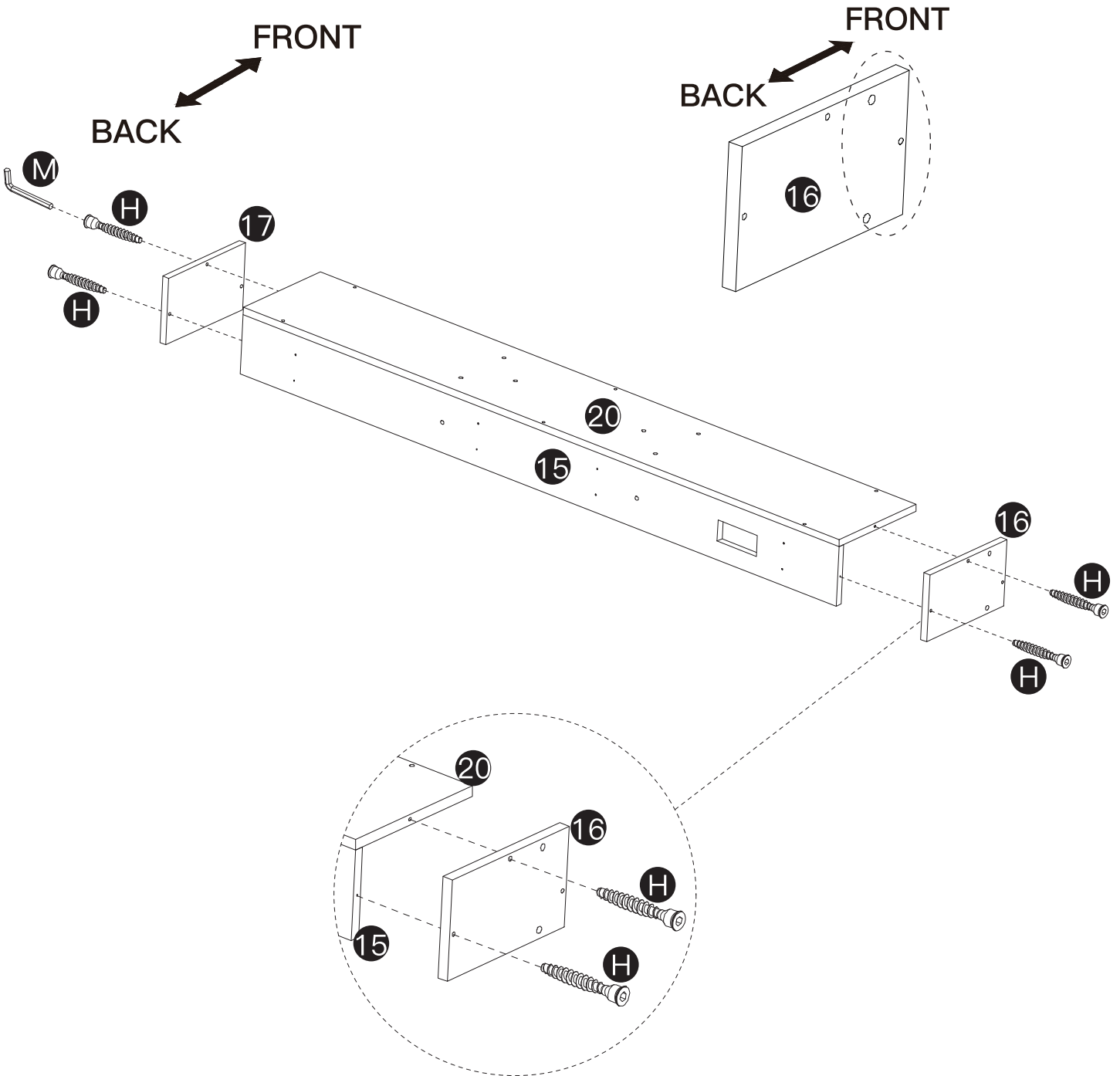
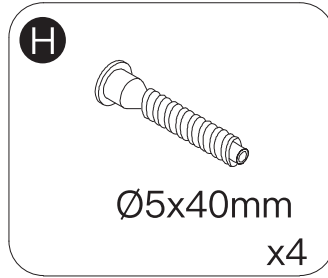
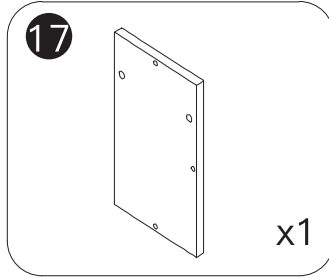
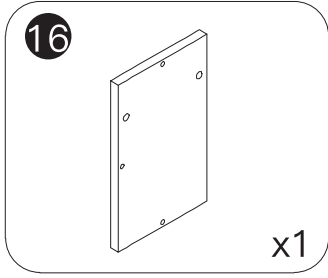
### NOTICE:

Please make sure the side with 10 holes of part 15 are facing the back as shown.

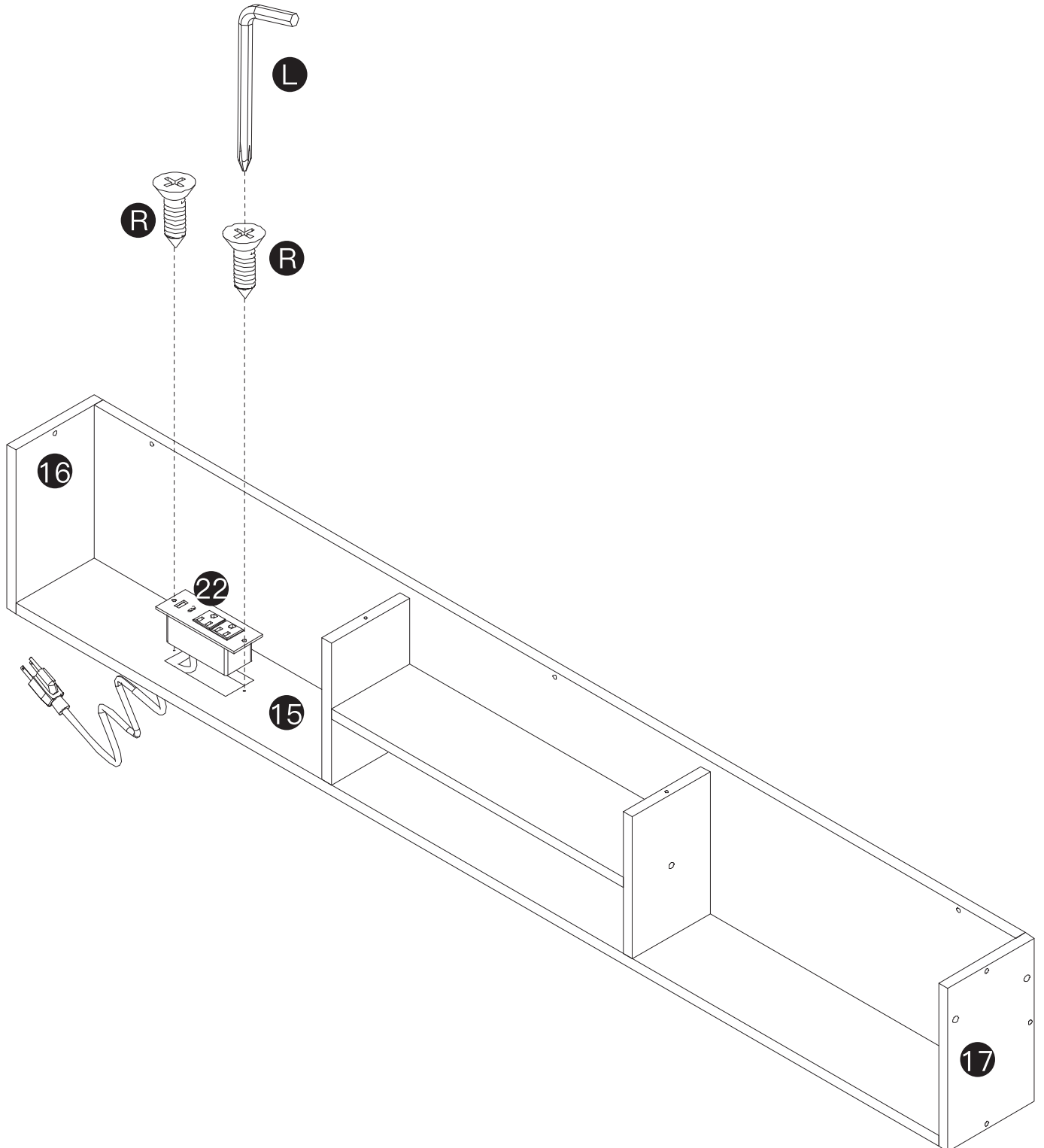
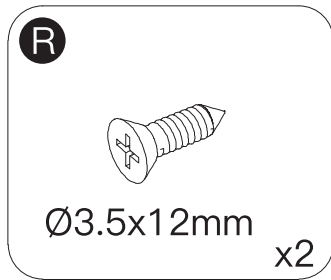
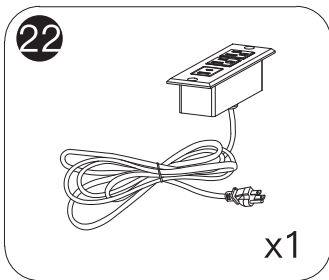
# STEP 3



# STEP 4

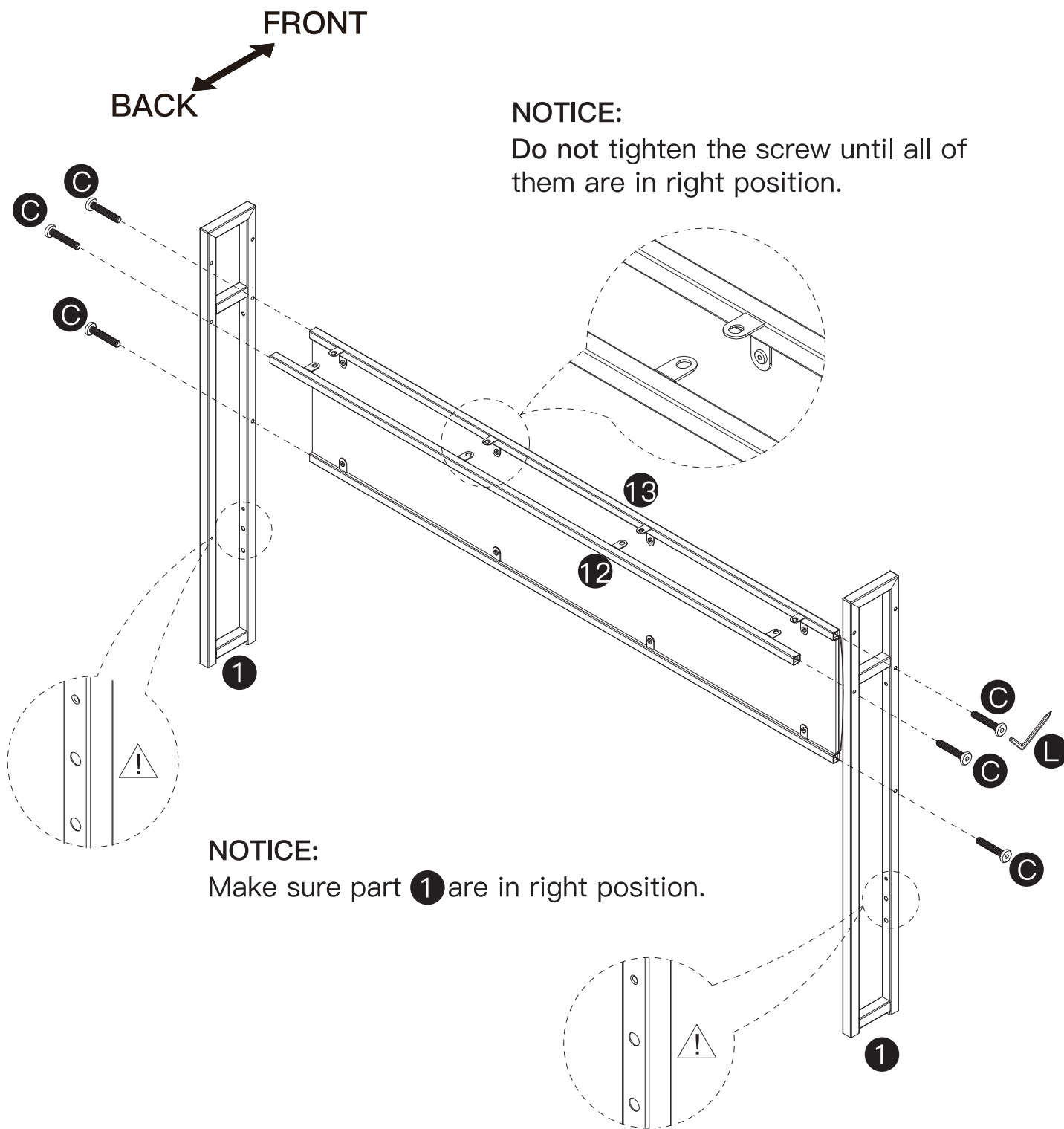
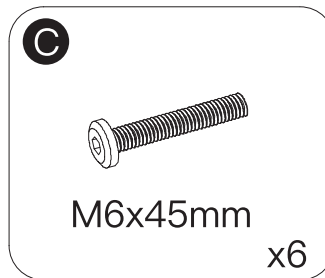
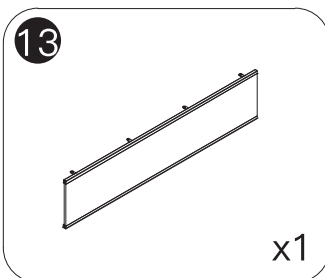
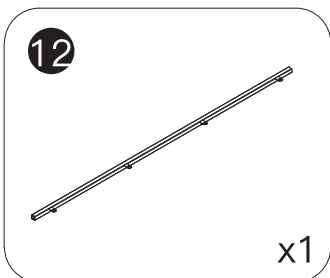
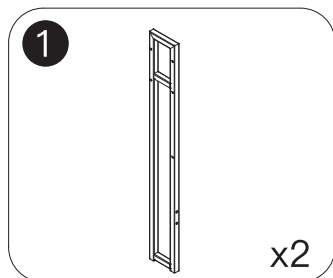


# STEP 5

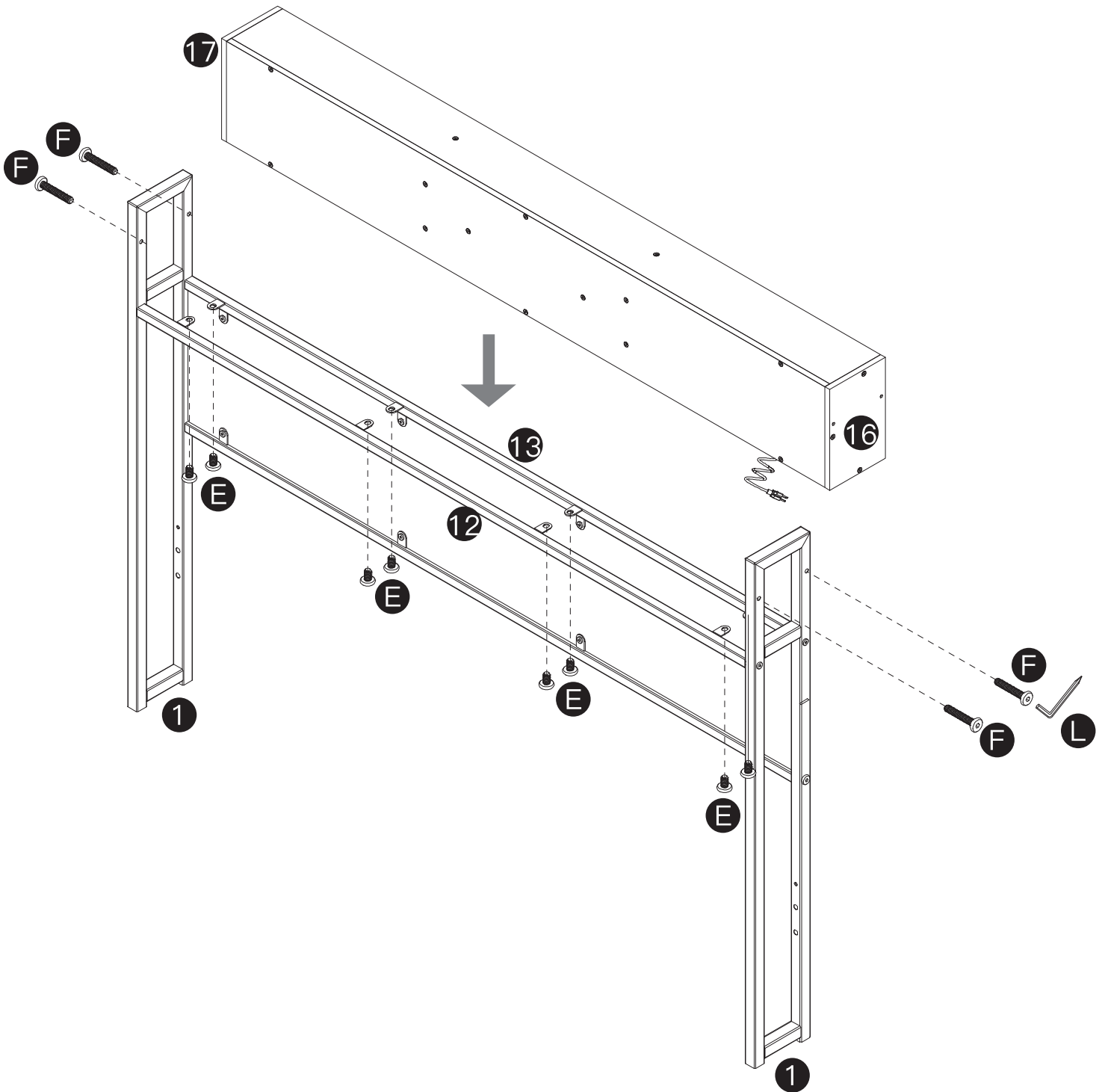
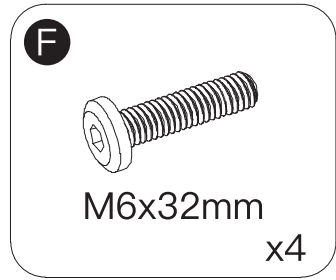
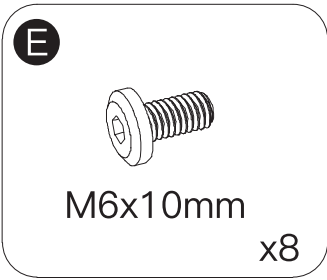




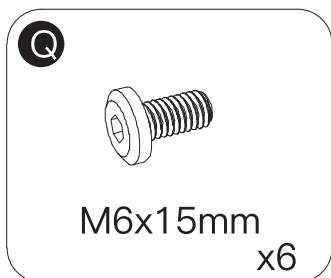
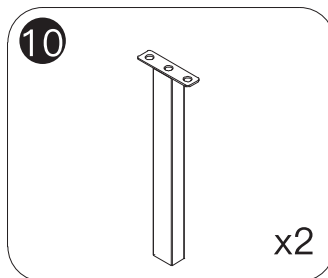
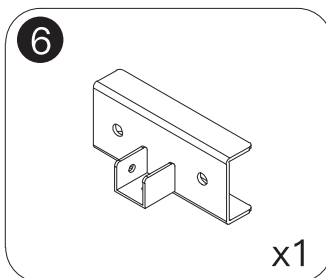
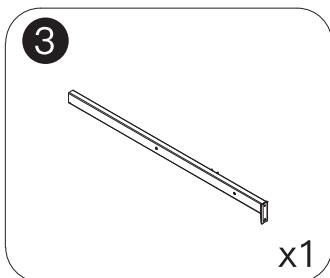
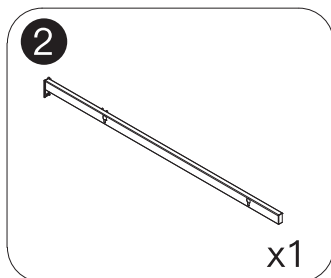
# STEP 7



# STEP 8

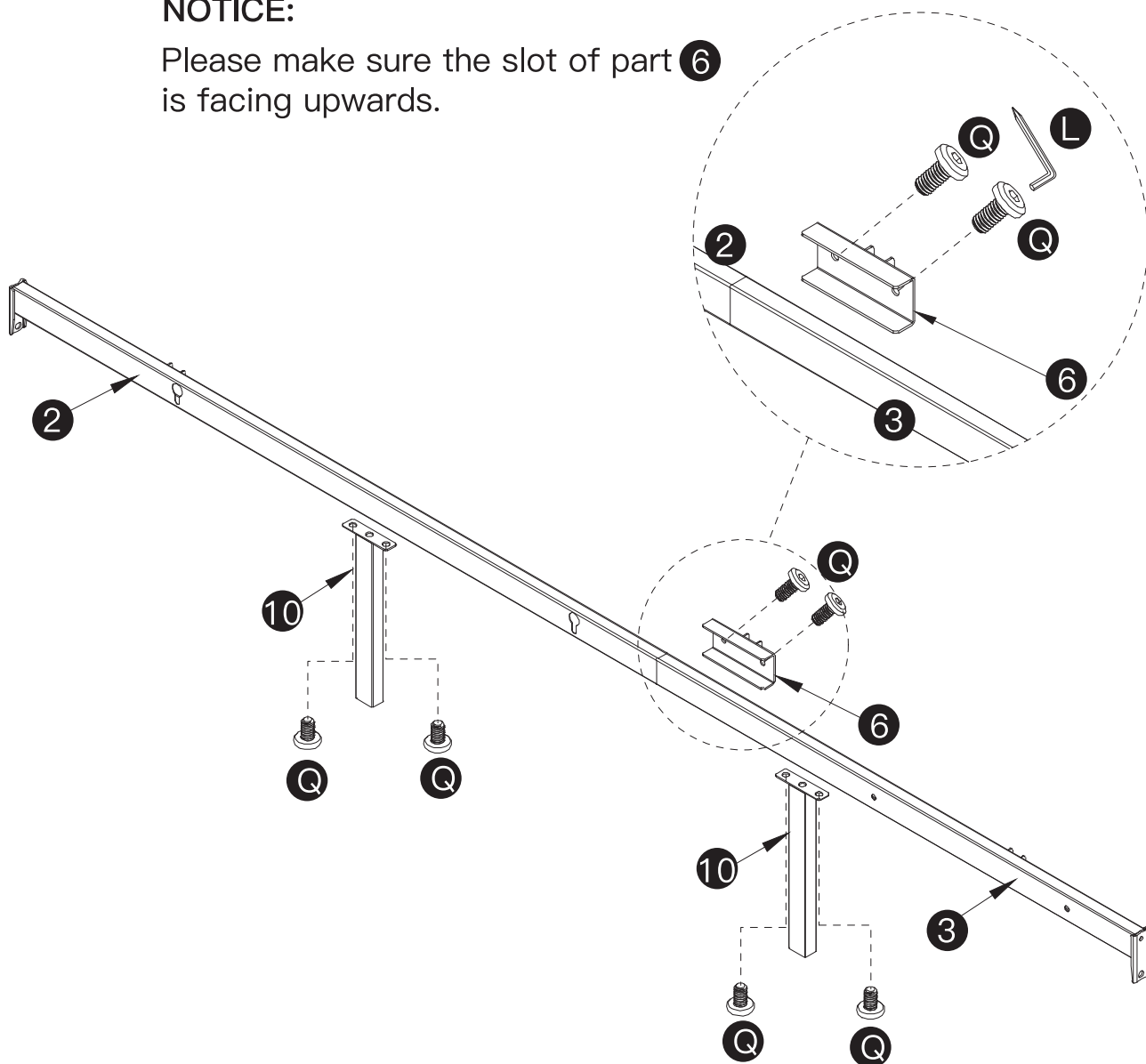


# STEP 9

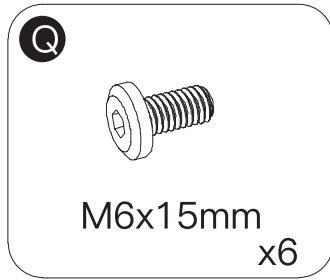
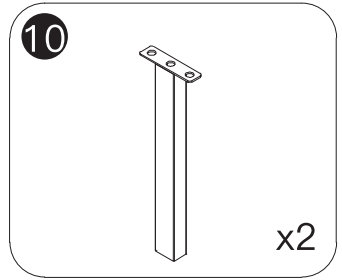
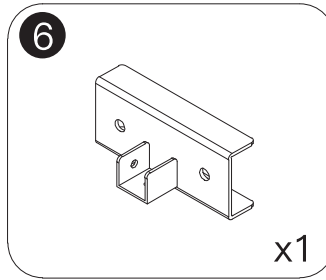
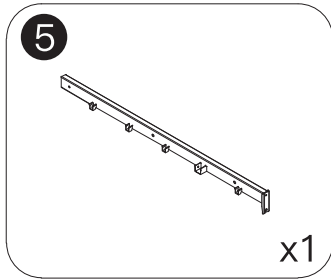
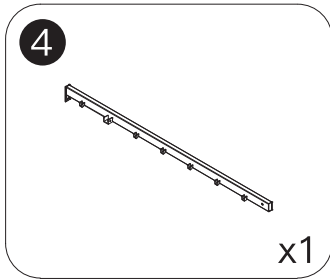


## NOTICE:

Please make sure the slot of part 6 is facing upwards.

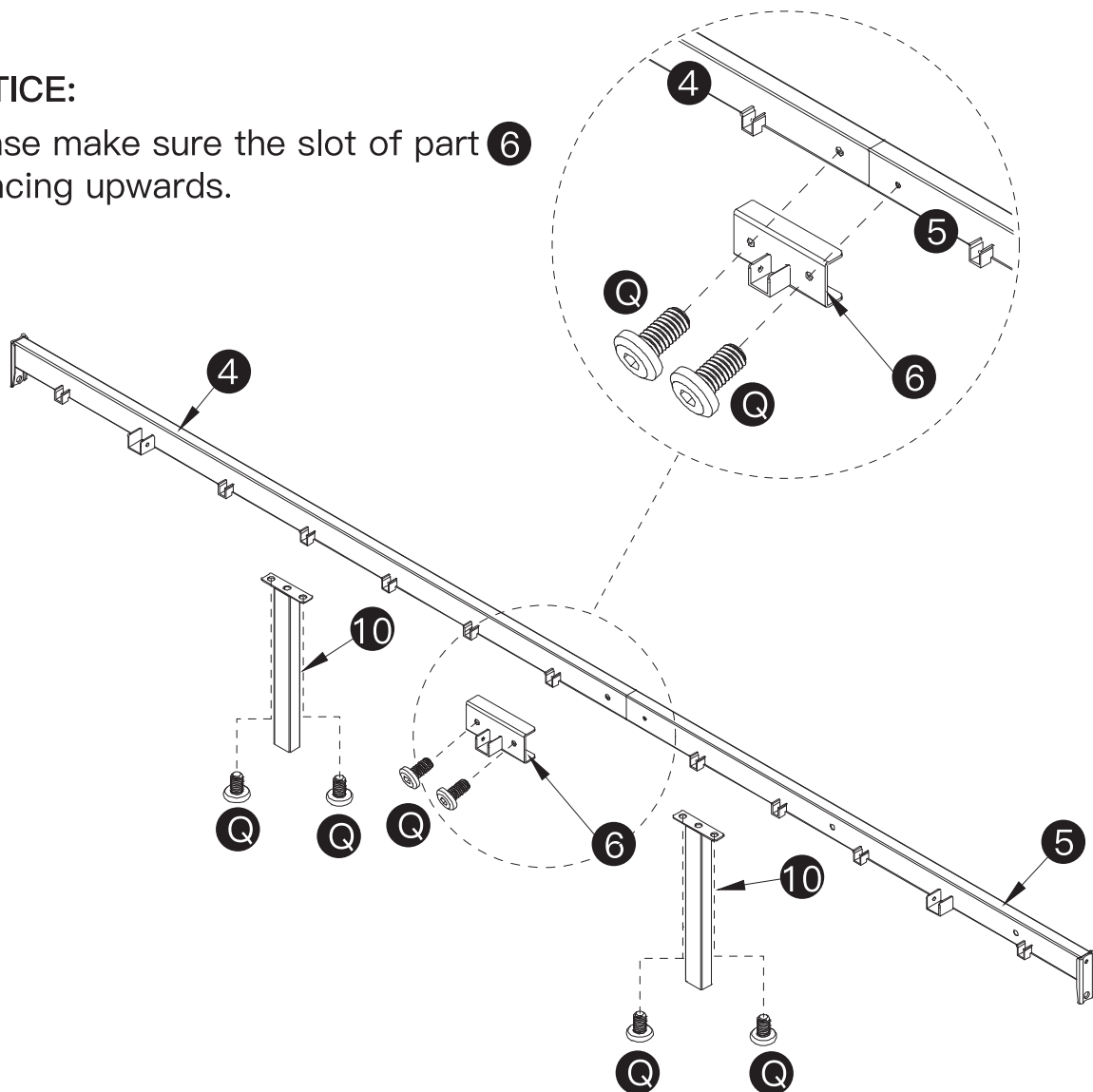


# STEP 10

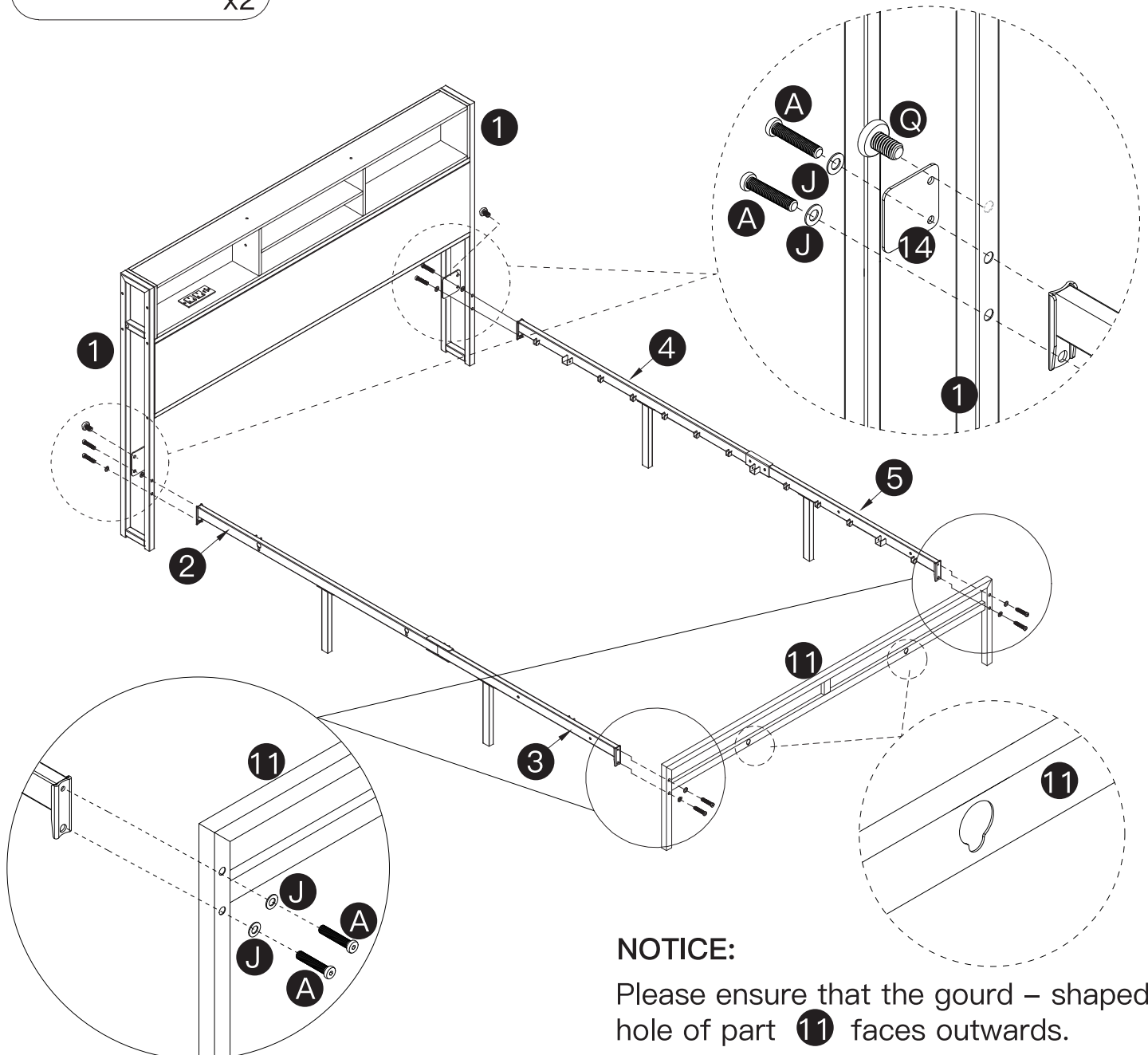
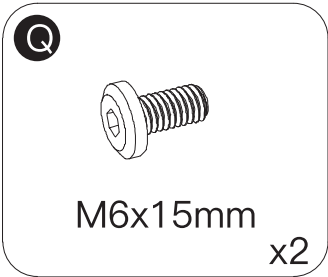
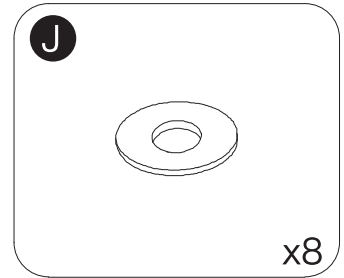
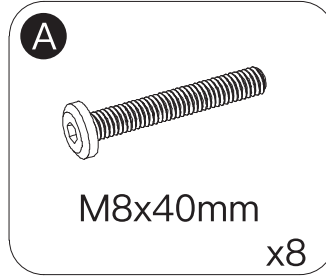
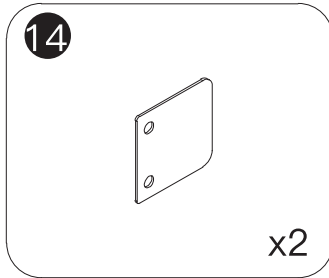
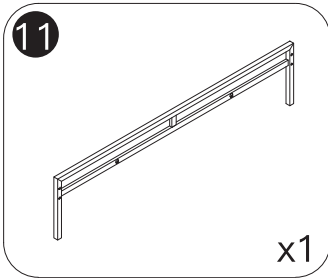


## NOTICE:

Please make sure the slot of part 6 is facing upwards.



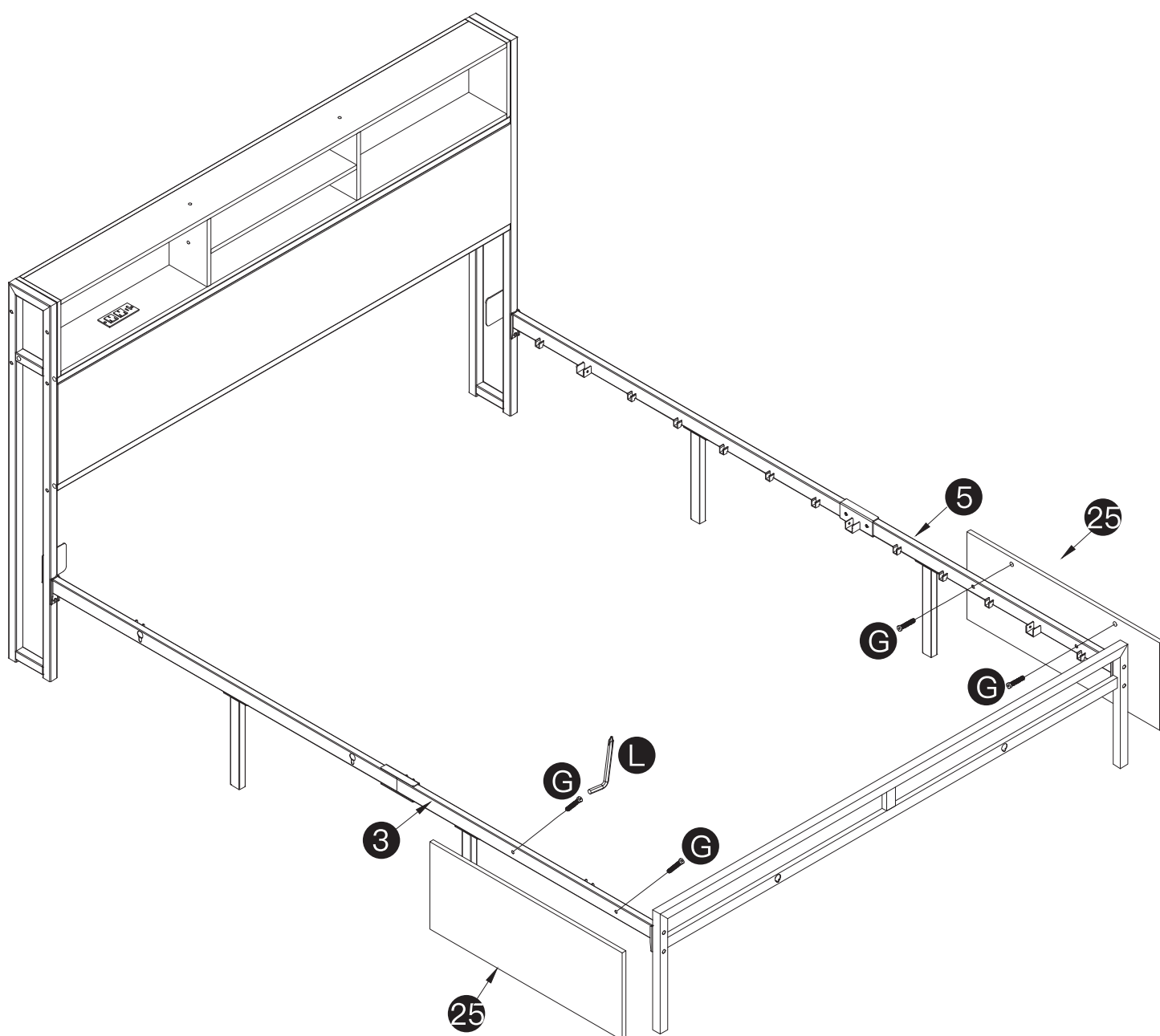
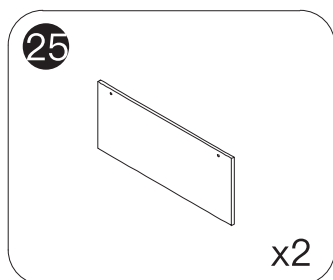
# STEP 11



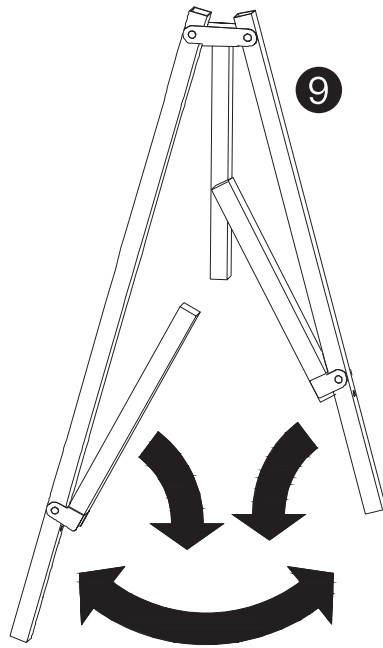
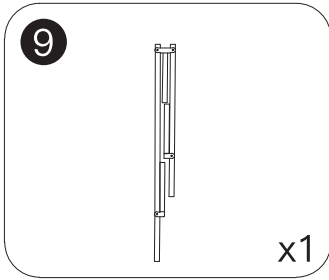
## NOTICE:

Please ensure that the gourd – shaped hole of part 11 faces outwards.

# STEP 12

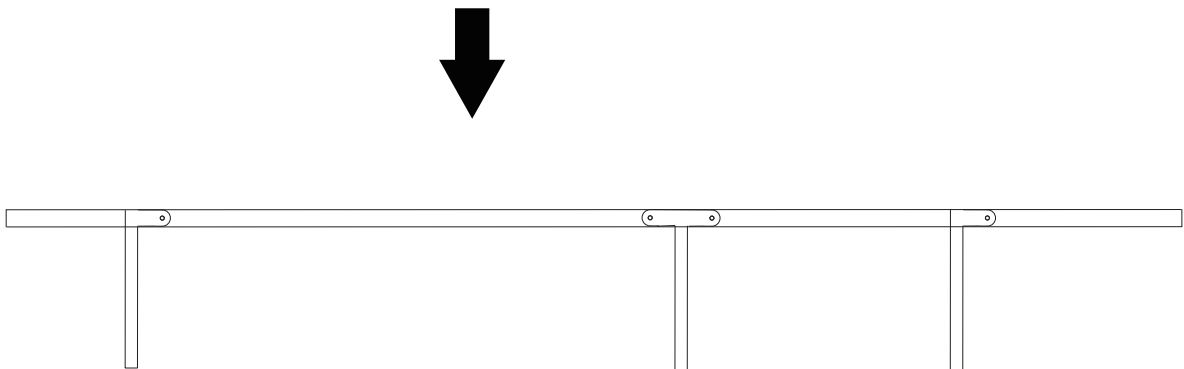
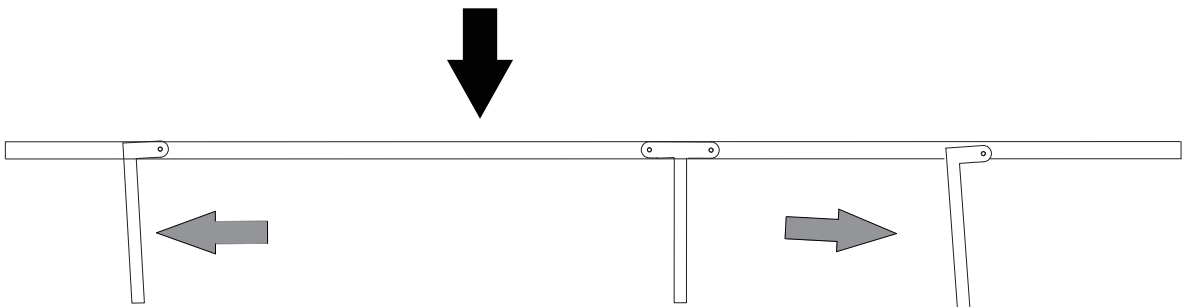


# STEP 13

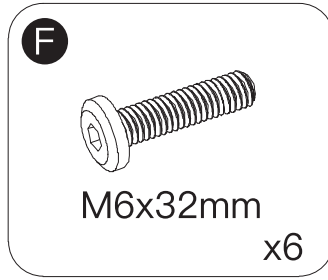
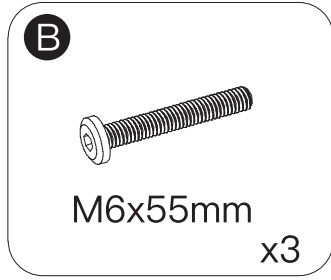
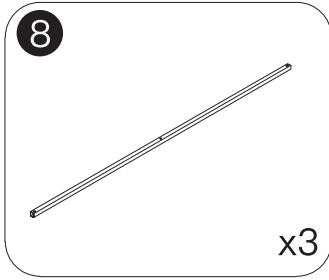


**NOTICE:**

To prevent getting caught, please be careful when unfolding.

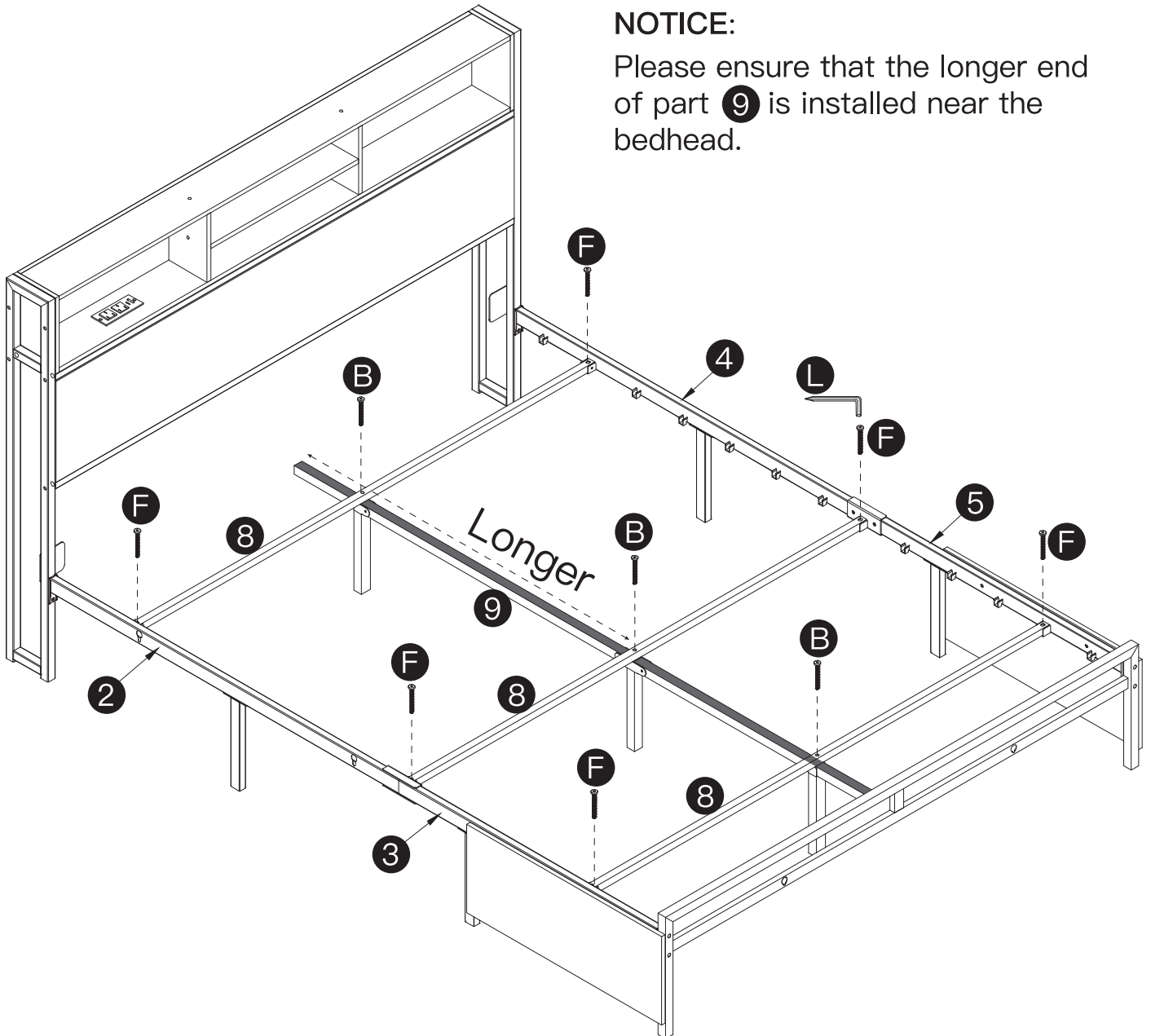


# STEP 14

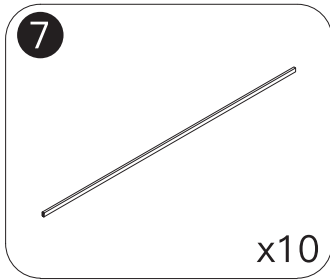


## NOTICE:

Please ensure that the longer end of part 9 is installed near the bedhead.

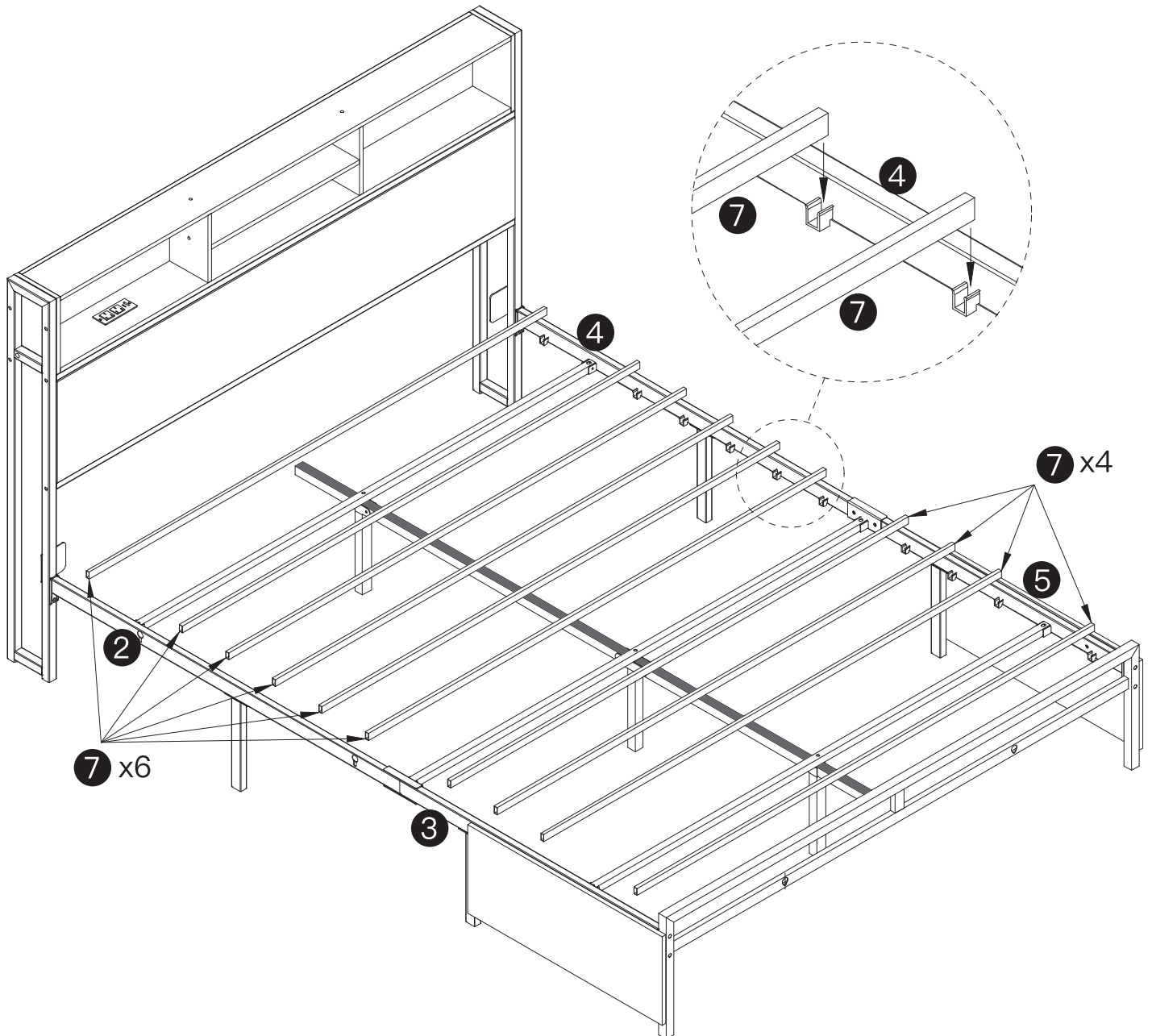


# STEP 15

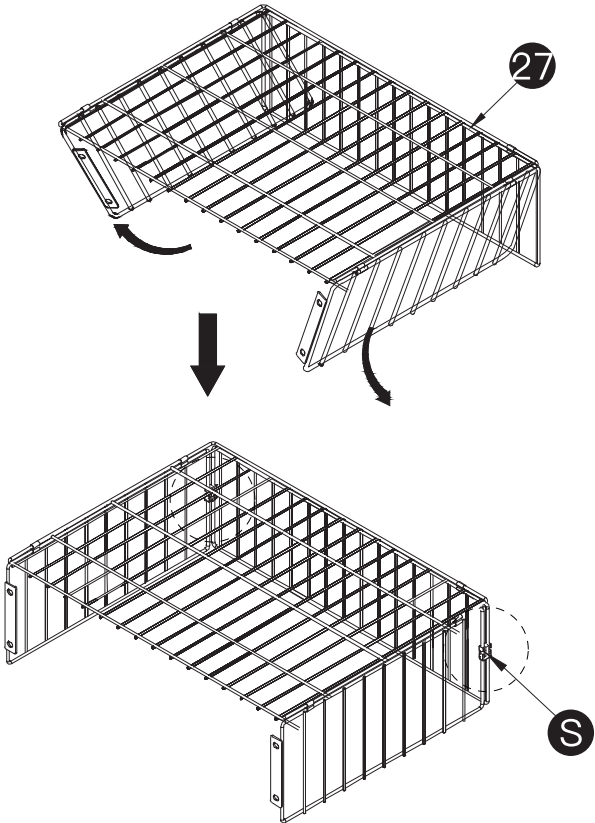
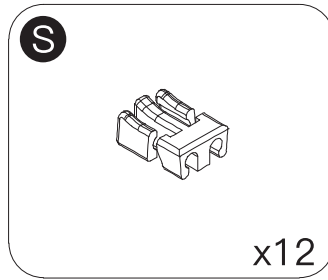
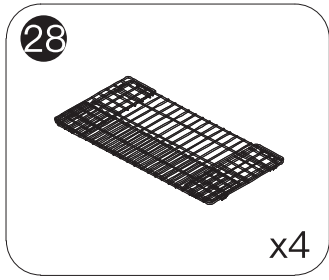
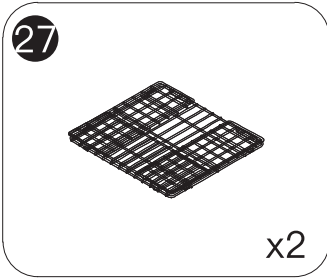


## NOTICE:

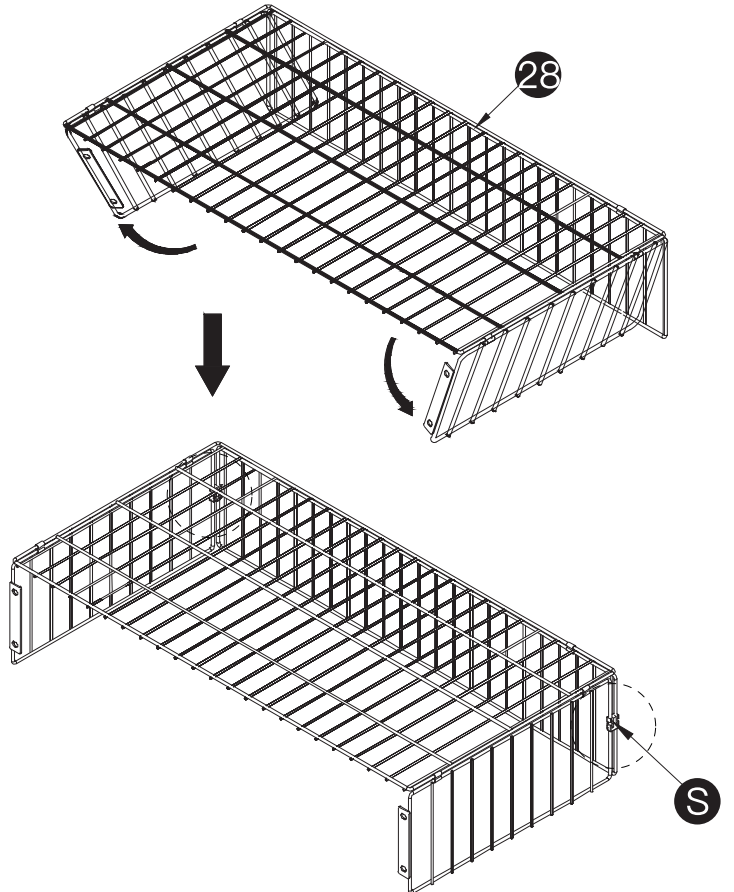
Please ensure that both ends of part **7** are fully secured .



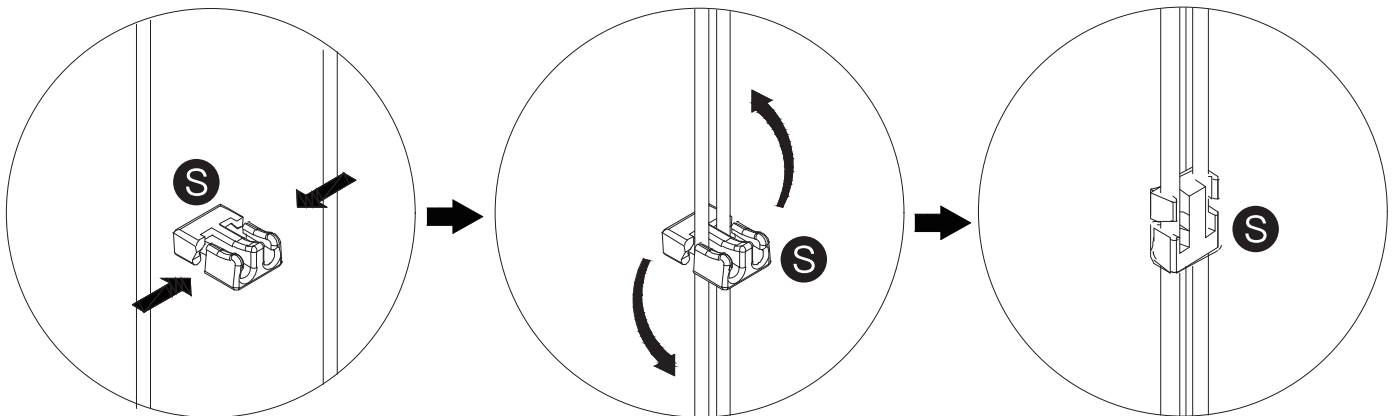
# STEP 16



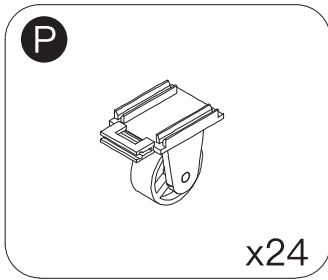
x2



x4

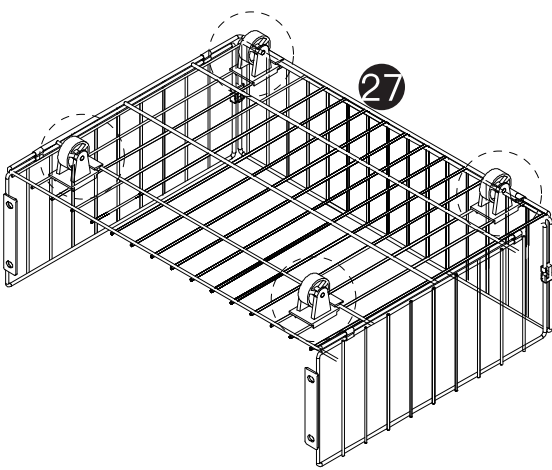


# STEP 17

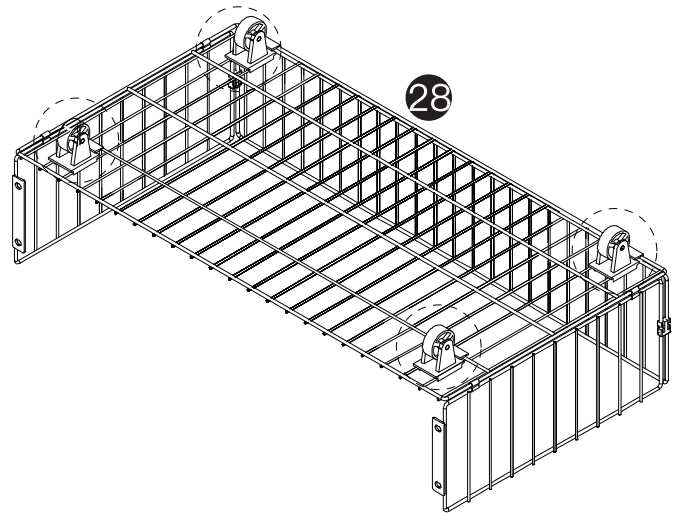


## NOTICE:

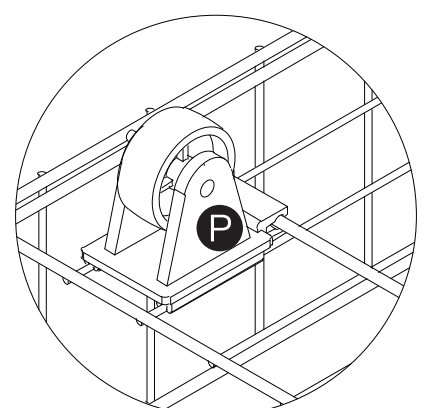
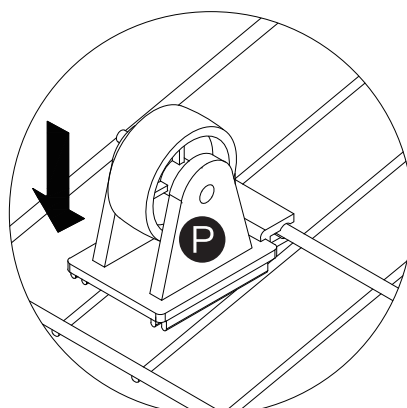
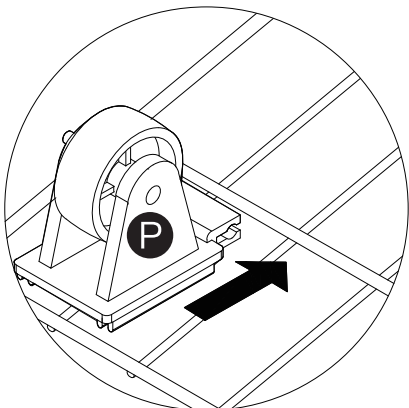
Please install the wheels as shown above to get the maximum stability and moving smoothness.



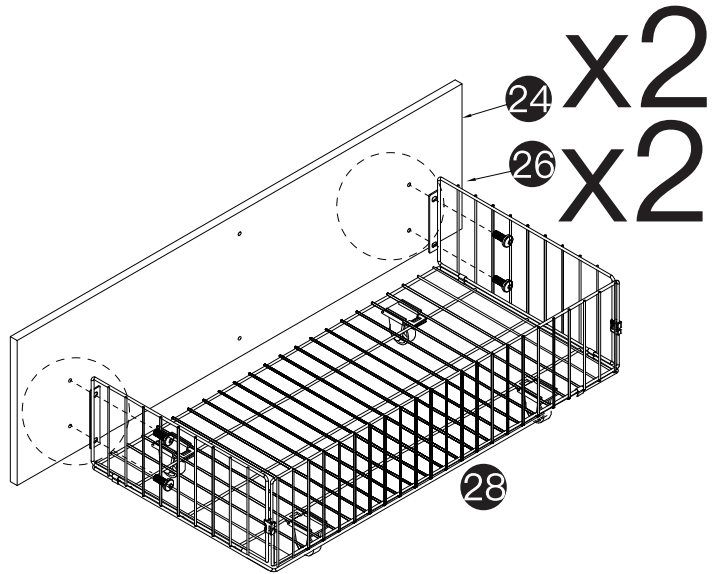
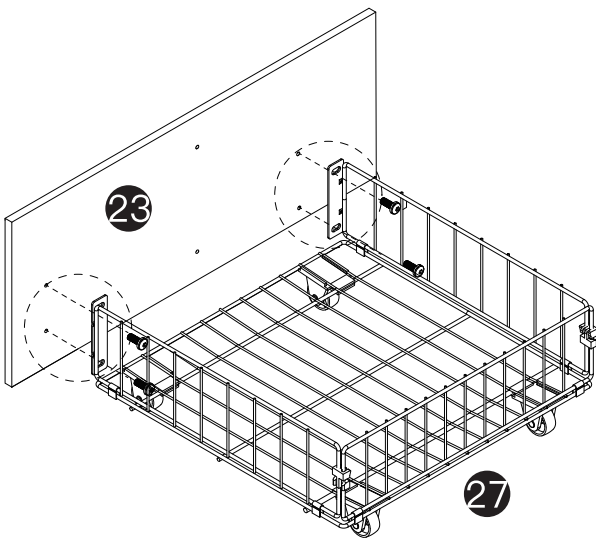
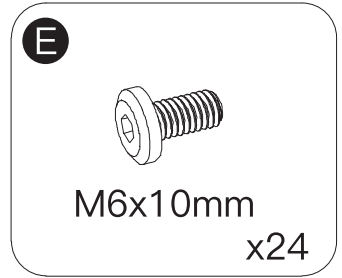
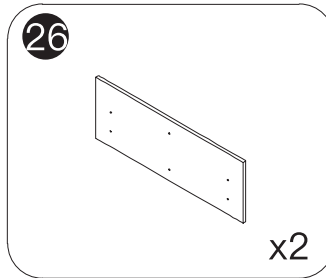
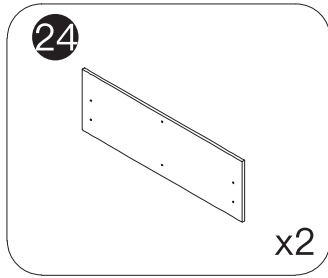
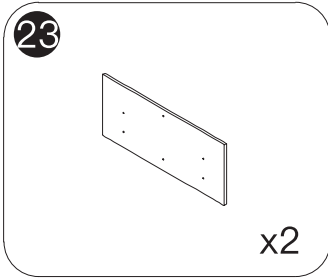
x2



x4



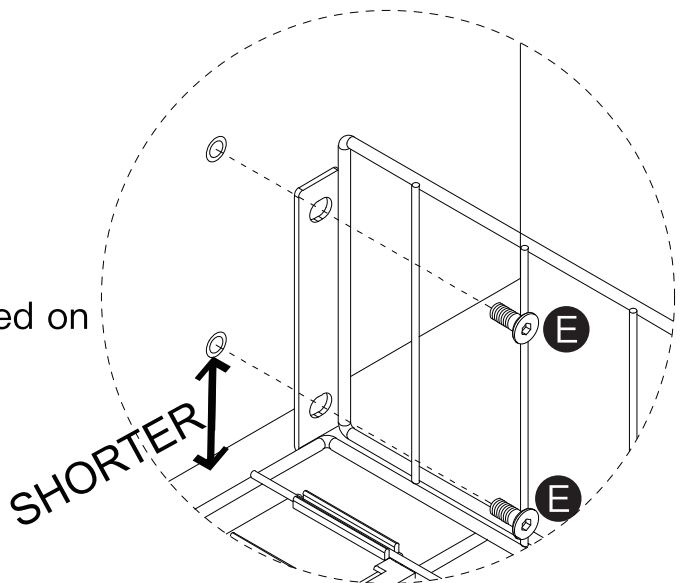
# STEP 18



x2

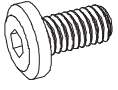
## NOTICE:

Please make sure the frame is installed on the shorter side of the front panel.



# STEP 19

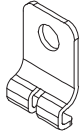
E



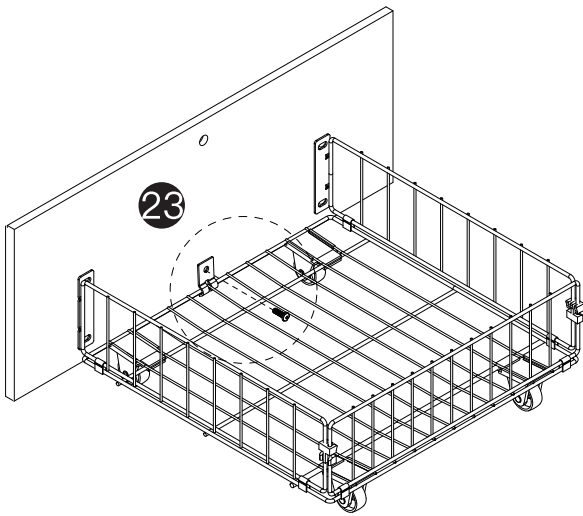
M6x10mm

x6

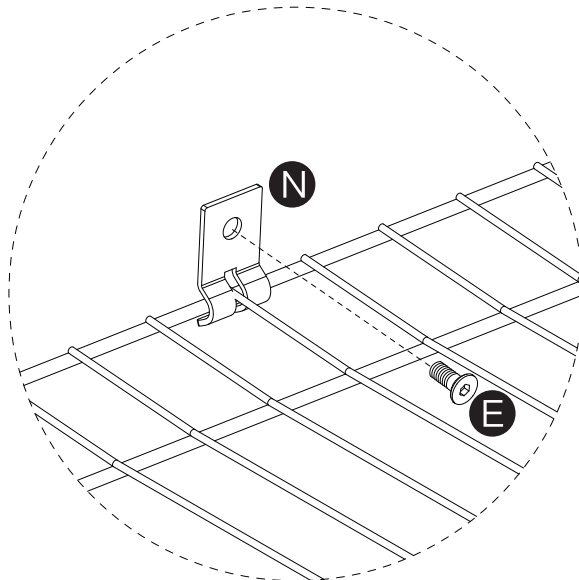
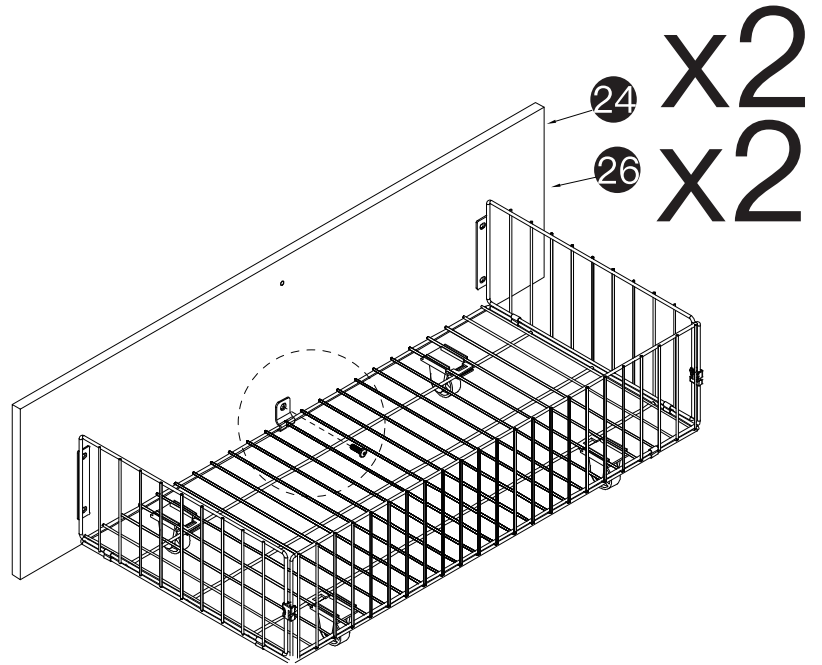
N



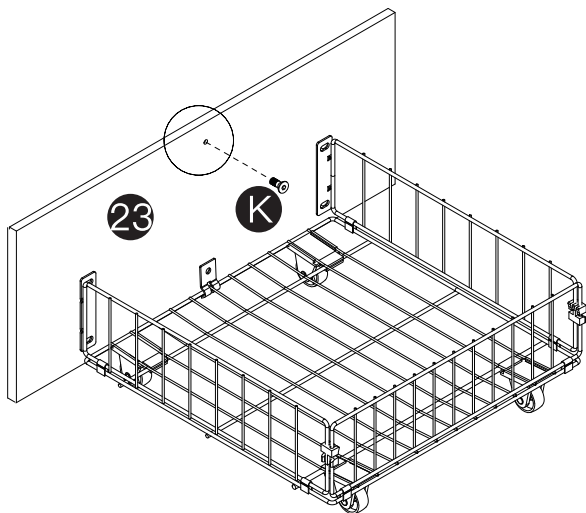
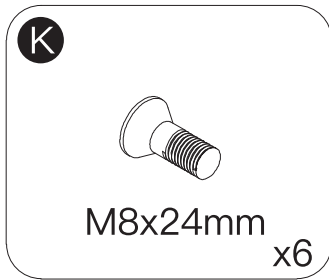
x6



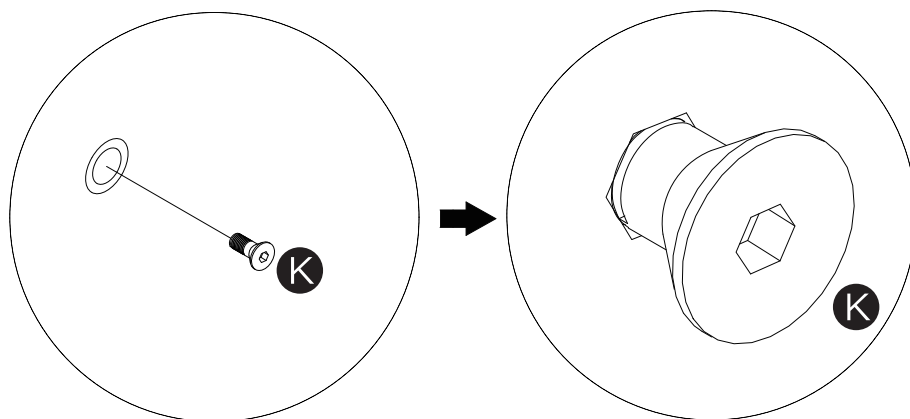
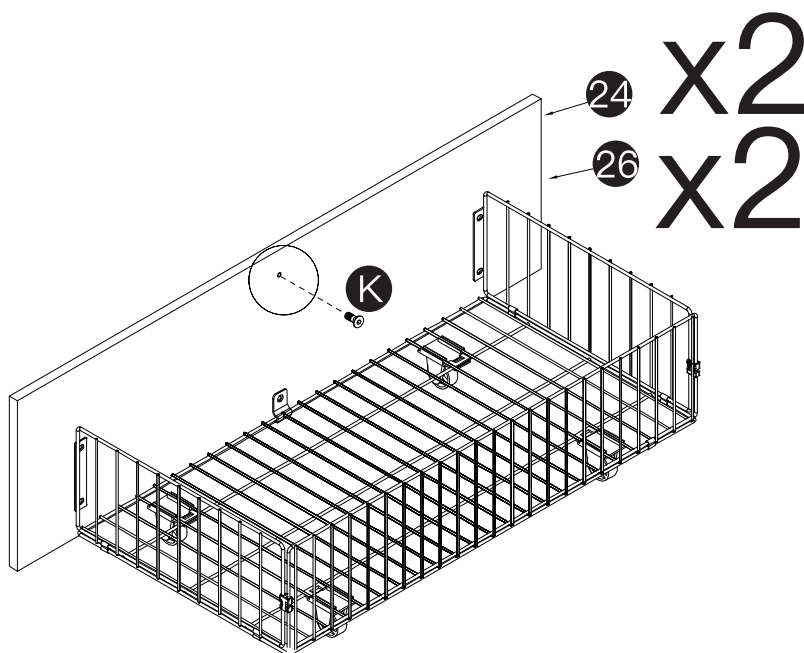
x2



# STEP 20



x2



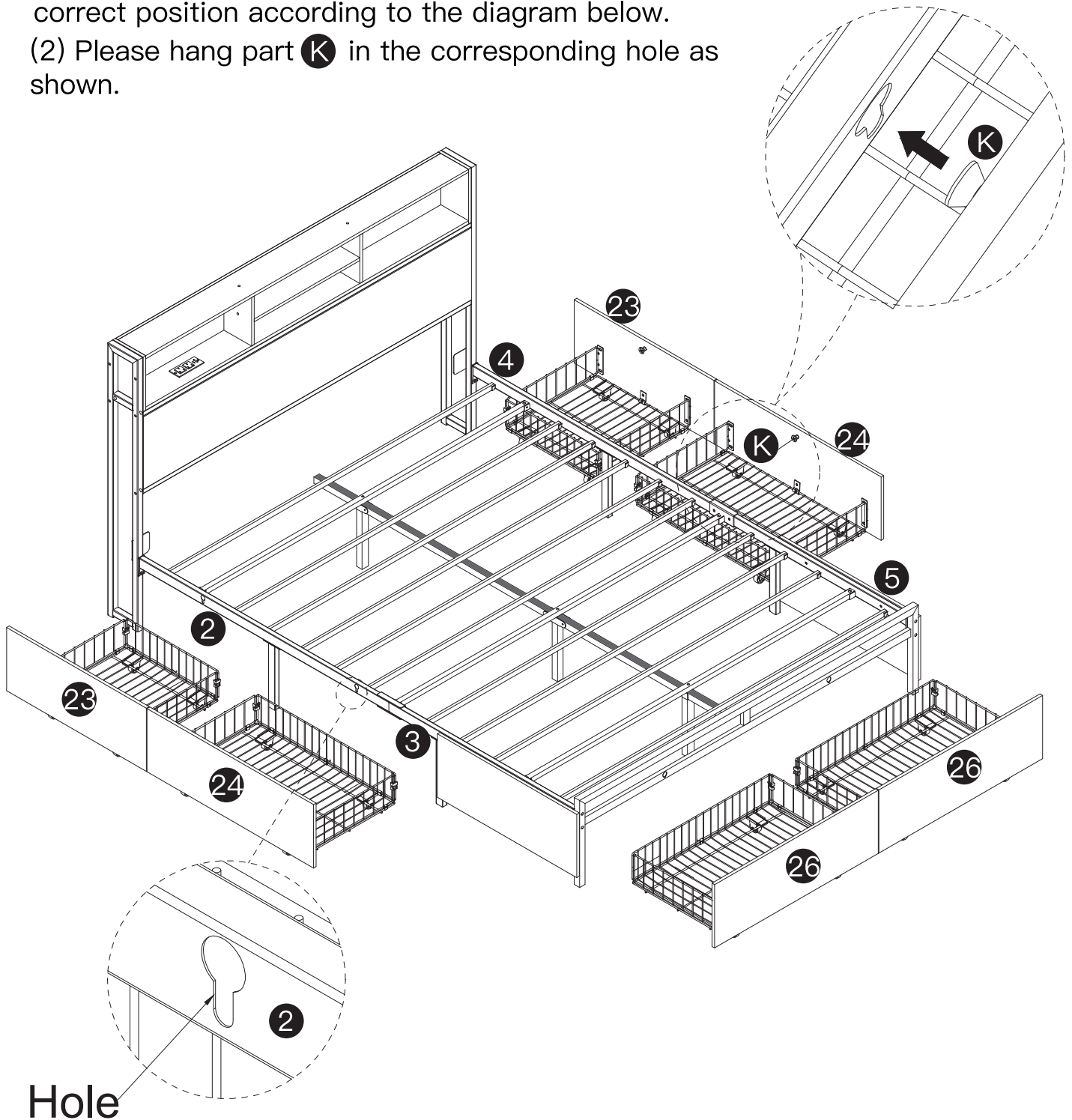
## NOTICE:

Please do not tighten screw **K** completely.

# STEP 21

## NOTICE:

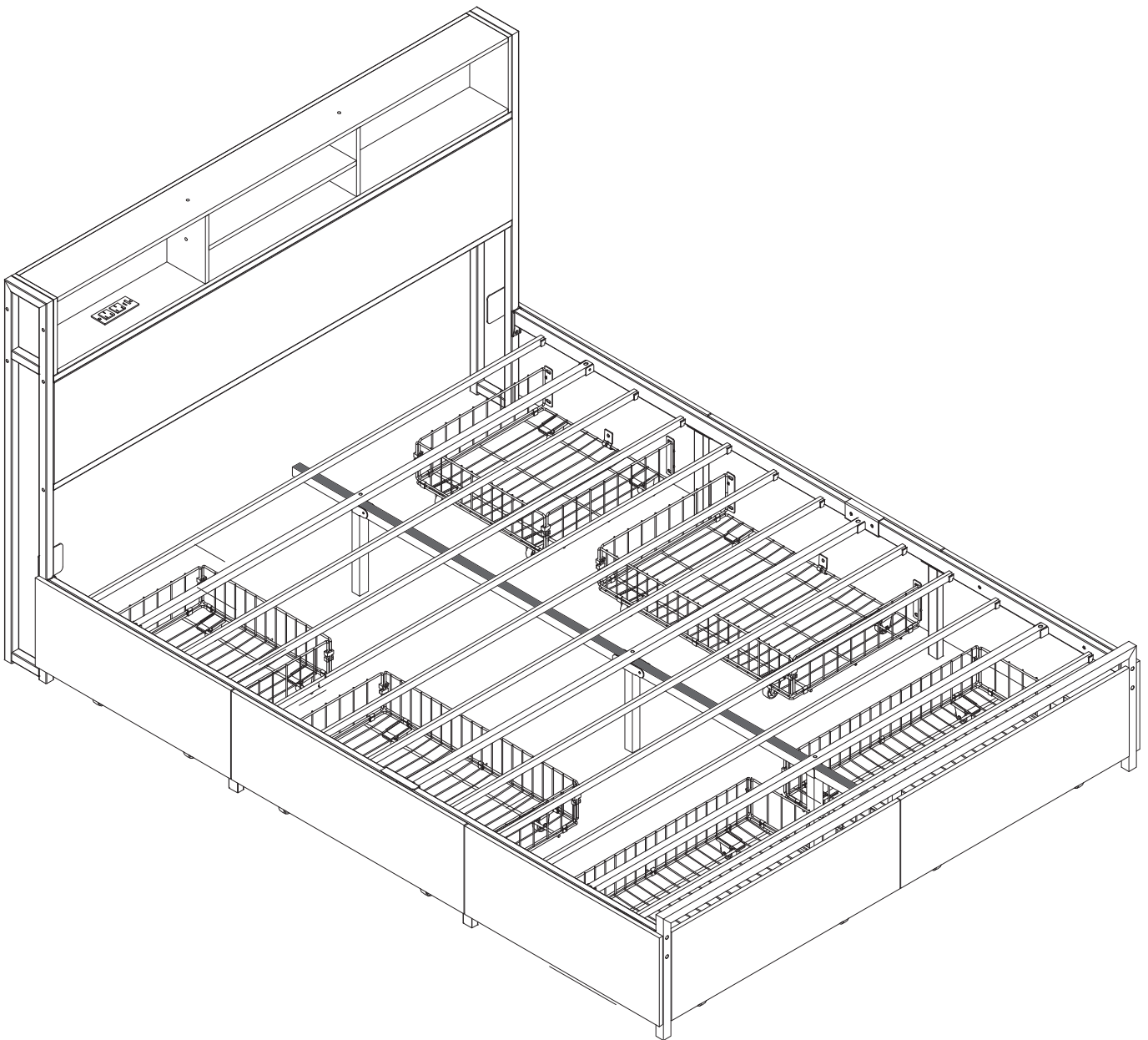
- (1) Please ensure that part 23, 24 & 26 are placed in the correct position according to the diagram below.
- (2) Please hang part K in the corresponding hole as shown.



# STEP 22

## Warm Tips

- (1) Please place the assembled bed against the wall.
- (2) **Do not** jump or play on the bed.
- (3) For your safety, please **do not** crawl under the bed.



# AFTERSALE SERVICE

**Dear customer,**

Thank you so much for purchasing the product from us, we really appreciate your support.

We are aimed to provide the best shopping experience to our customers. We also want to build a mutually beneficial relationship with our customers, and step further to make our brand both reliable, responsible and recommendable.

We hope that our products could meet your needs and expectations, please consider us again if you need more products for your home and kitchen.

The package would be out of our control during shipping, please contact us through your purchasing channel directly if there is anything wrong with the box or contents. We are always here offering you our service.

We will reply your messages as soon as possible, please kindly wait for the response from our team.

Your comfort and contentment are of utmost importance.

Best Regards,  
Customer Care Specialist