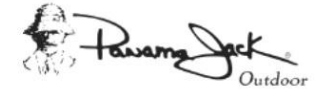
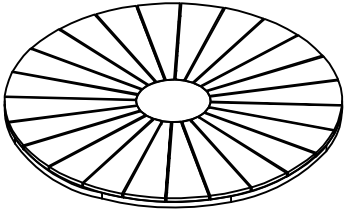
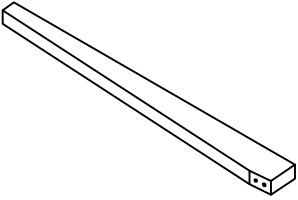







Assembly Instructions Dining table

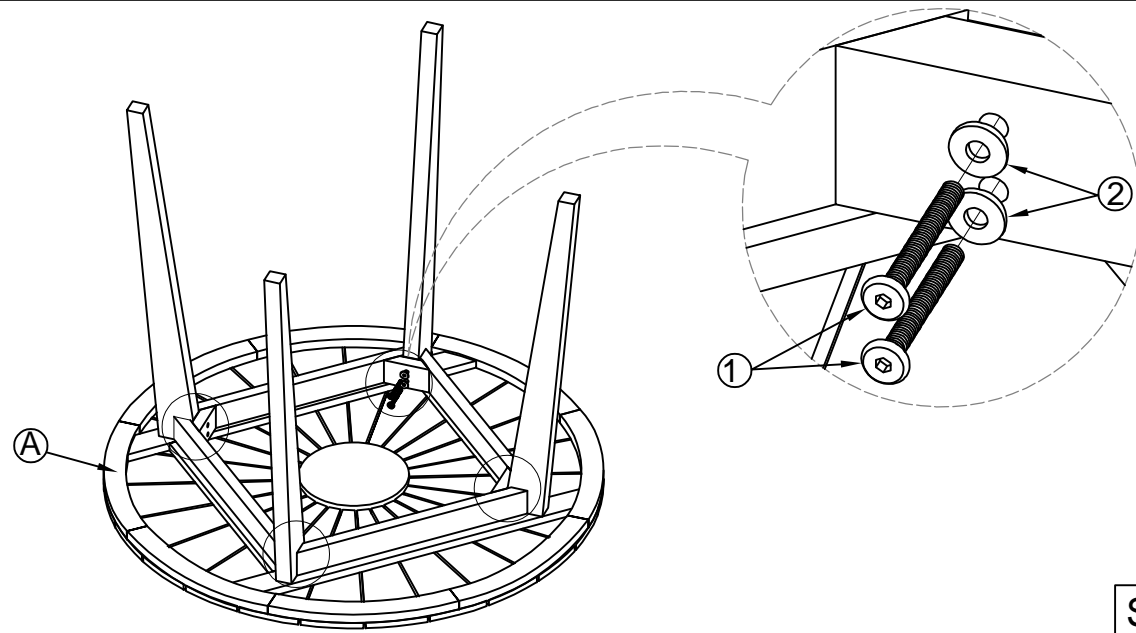


| CODE | PARTS | Q.TY |
|------|--|------|
| A |  TABLE TOP | 1 |

| | | |
|---|--|---|
| B |  TABLE LEGS | 4 |
|---|--|---|

HARDWARES

| CODE | PICTURES | Q.TY |
|------|---|------|
| 1 |  Bolt- M8x50 | 8 |
| 2 |  Washers 8x18x2mm | 8 |
| 3 |  Allen Key M4 | 1 |



Step 1



Finish

If you have any difficulties during the assembly process, please contact us at sales@pelicanreef.com or 1-888-820-4455



TIMBER CARE & MAINTENANCE REQUIREMENTS

With regular maintenance you will enjoy the furniture for years to come. Some simple steps will enable you to preserve the full beauty of the timbers. The amount of care required for your timber outdoor setting is directly related to the amount of exposure to the weather.

– Timber furniture can be cleaned. Rinse the furniture and use a sponge or soft bristle brush to scrub the furniture with a mild cleaning solution. Lastly, rinse the furniture with fresh water. To maintain the original finish, reapplication of a high-quality oil is recommended.

– Applying high-quality timber oil is highly recommended within the first 2 weeks, it's an easy process of applying to the furniture using a rag or brush. "Remember to always rub in/rub off any excess oil after every application". Repeat this procedure in 48 hours. Timber must be dry before oiling, do not oil in direct sunlight or late in the day when dew is likely to form or when rain is threatening. We recommend a high-quality timber oil with built-in UV protection or a similar product.

Please ensure that you follow the instructions for both preparation and application of your chosen oil.

– In a fully protected environment (e.g. covered patio or verandah) we recommend an exterior timber oil coating two or three times a year. In situations of full exposure to the weather we recommend you use oil with built-in UV protection and re-coating every three months. Please note that the above application periods are meant as a guide only. In periods of extreme weather conditions (high levels of rain or increased hours of sun) it is recommended that you increase the frequency of application. The frequency of applications will depend on the climate prevalent in your area and the appearance of the timber. We also recommend using covers on your furniture when it is hot in use or during extreme weather conditions.

Checking (minor cracks) is considered natural which may occur when wood products are exposed to outside elements. If the timber is exposed to rain, the surface fibres of timber will rise slightly and have a rough texture. This is normal; we recommend a light sanding with a semi-fine sandpaper to return surface to a smooth finish. Then use timber oil with built-in UV protection. If untreated, the outer surface will naturally weather to a silver grey color in time and surface checking (hairline cracks) may develop.

IMPORTANT SAFETY INSTRUCTIONS

Furniture should not be dragged at any time.

As an added precaution we strongly recommend you choose to tighten any loose fittings and joints after an initial period of use of around 3-6 months. For assured long life of your furniture, regular checking and tightening of any bolts should be carried out on a 6 – 12 monthly basis.