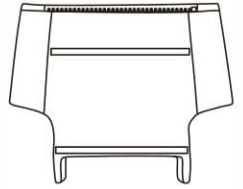


Assembly & Installation



A:Left ArmrestX1

B:SeatX1

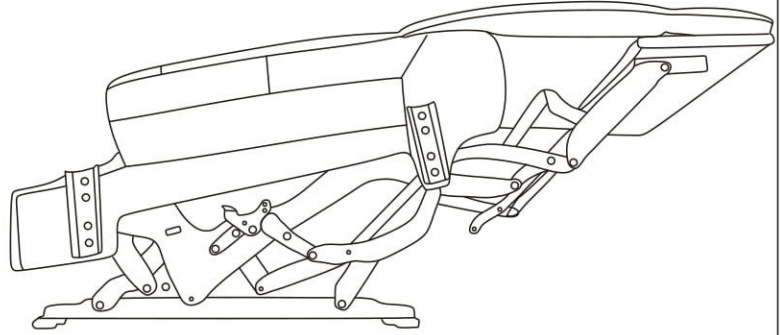
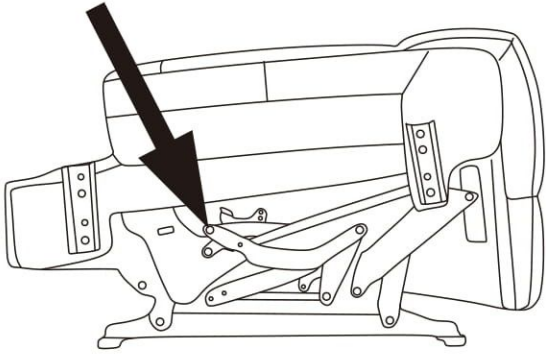
C:Right ArmrestX1

D:Head CushionX1

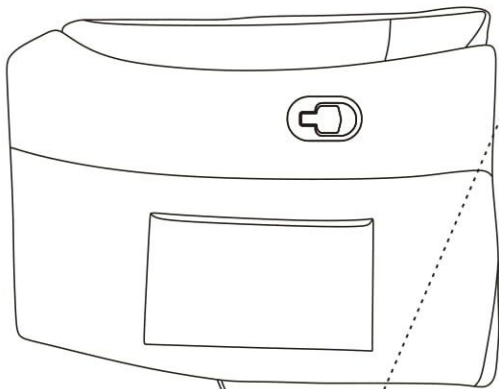
E:Back CushionX1

F:BackrestX1

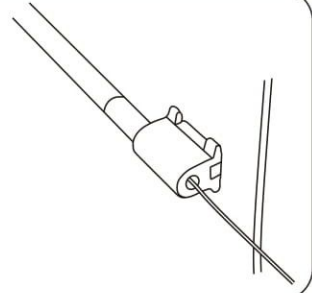
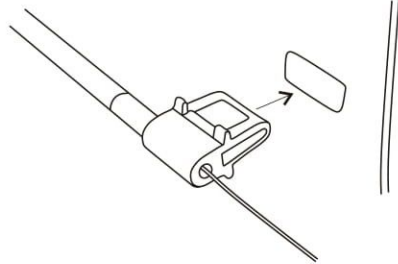
1.Push Here to Unfold the Seat Base



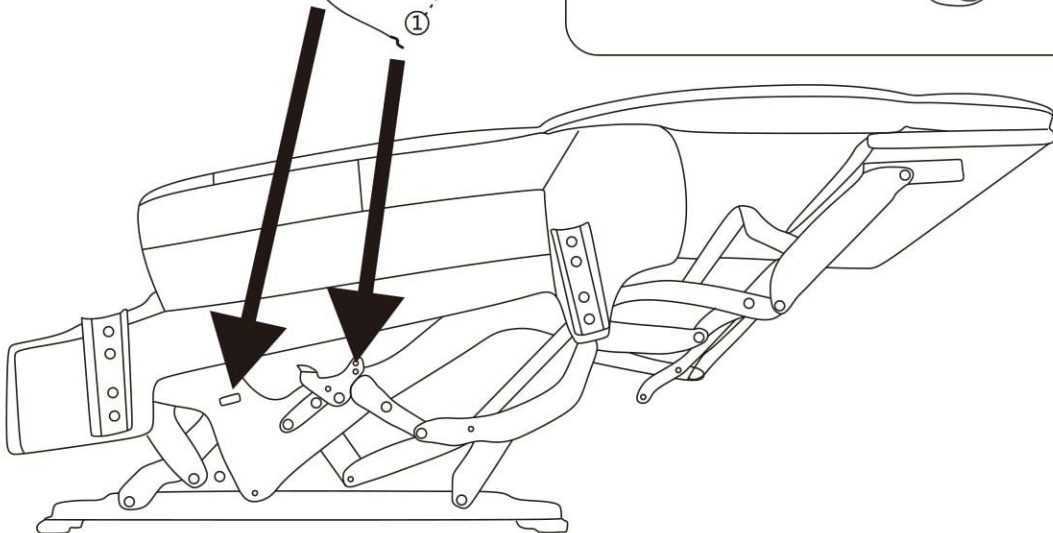
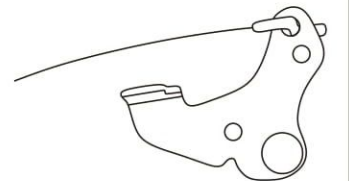
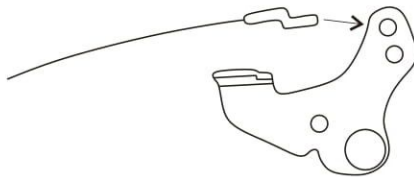
2.Connect the Pegs



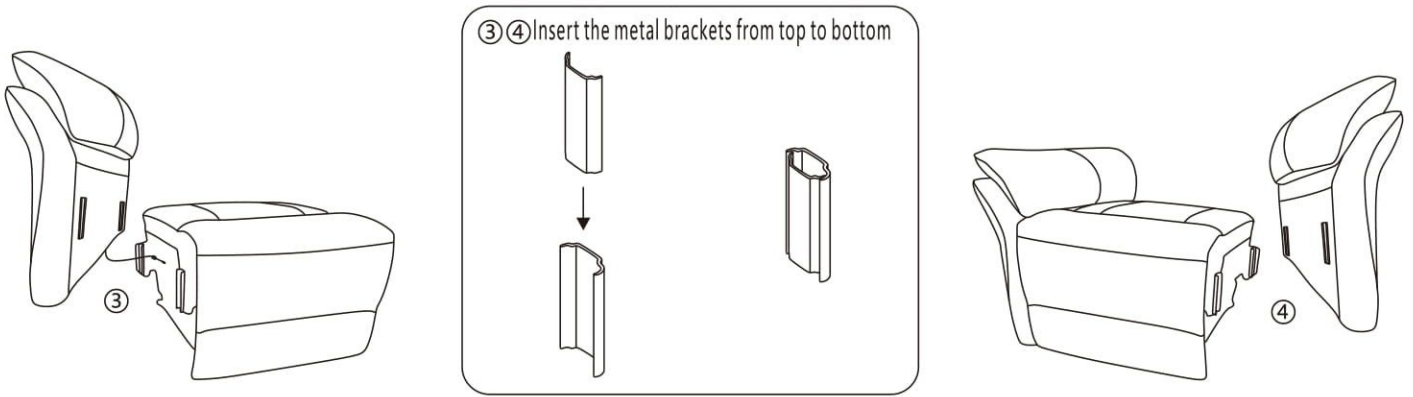
② Insert peg to the square hole



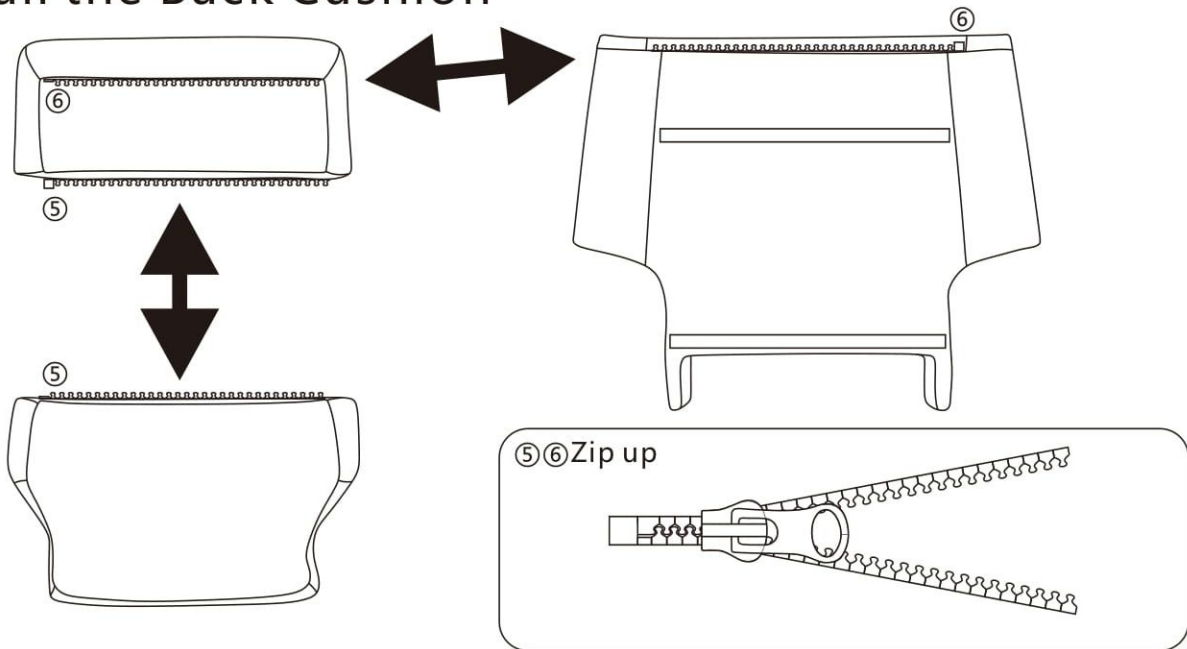
① Insert peg to the round hole



3. Install the Armrests



4. Install the Back Cushion



5. Install the Backrest

