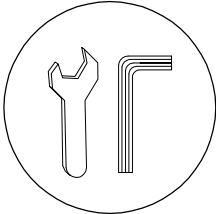
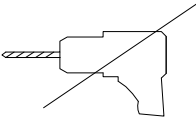
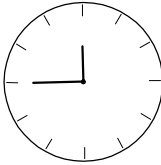
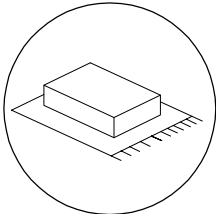
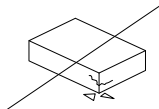
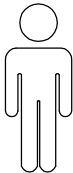
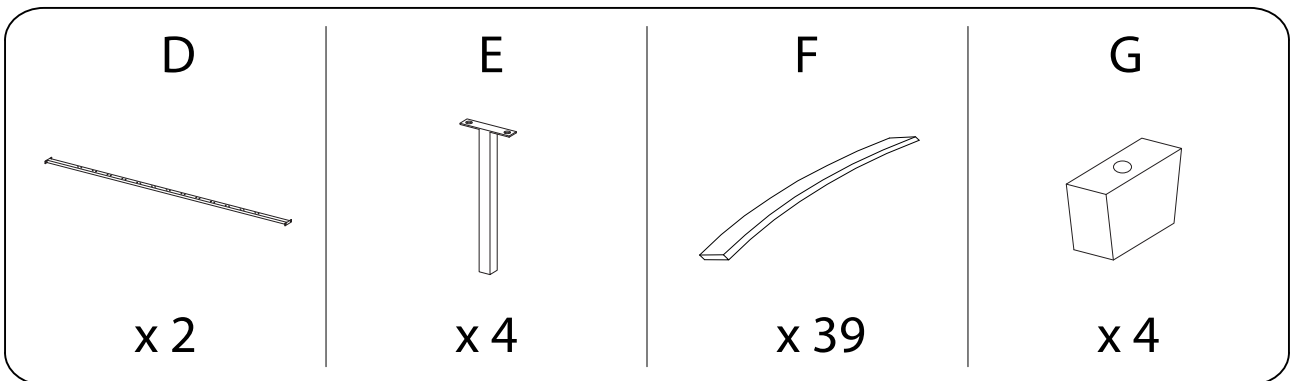
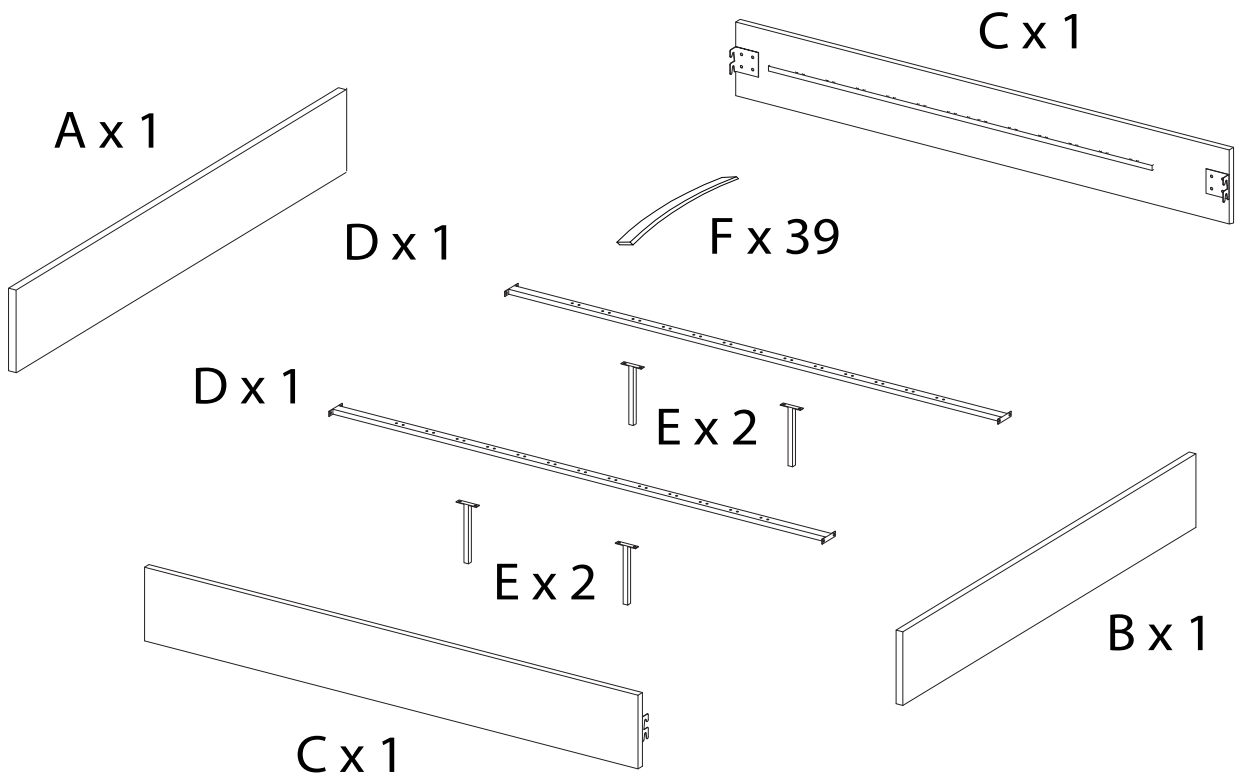
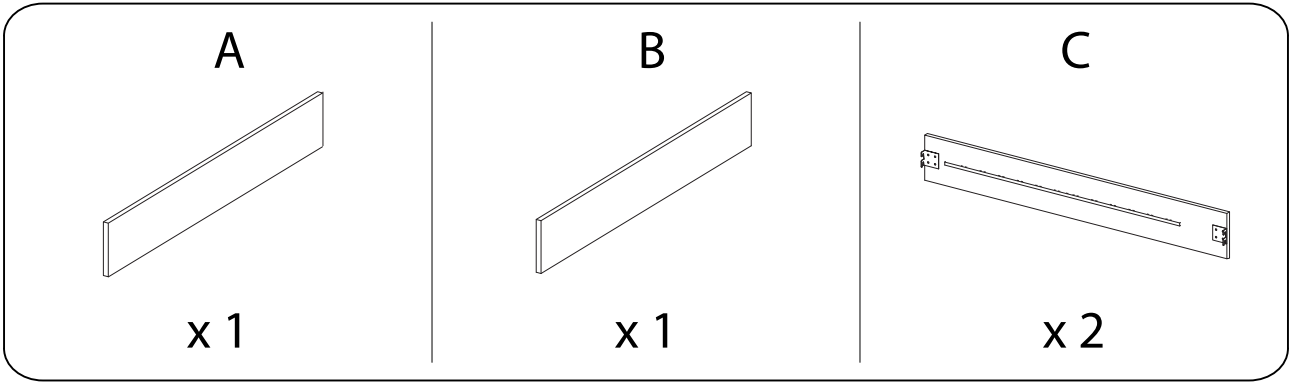


!   !

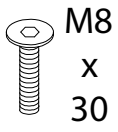
 45'

!   !

 1

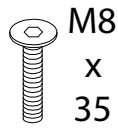


H



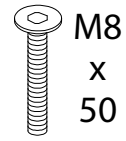
x 16

I



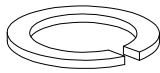
x 8

J



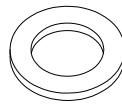
x 4

K



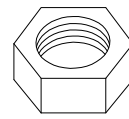
x 8

L



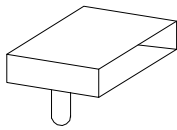
x 12

M



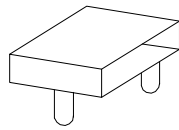
x 8

N



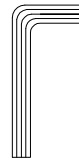
x 26

O



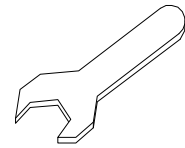
x 26

P




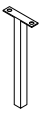
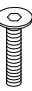
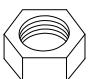

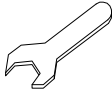
x 1

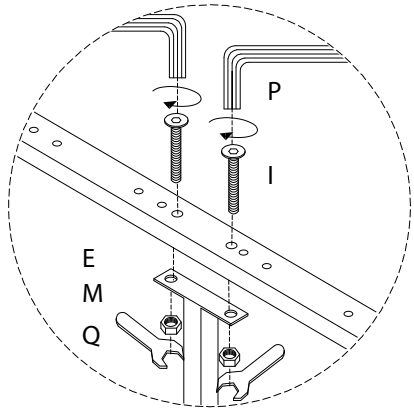
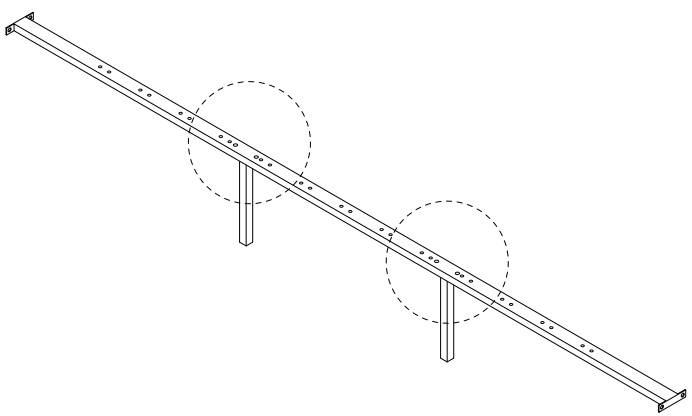
Q



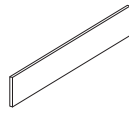
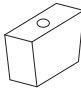
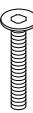


x 1

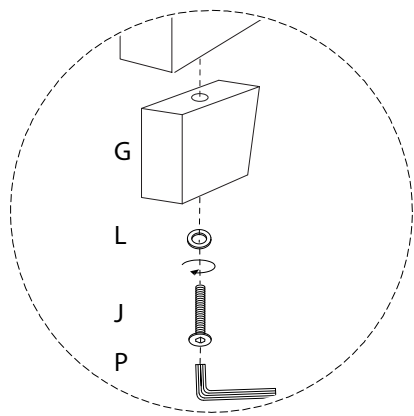
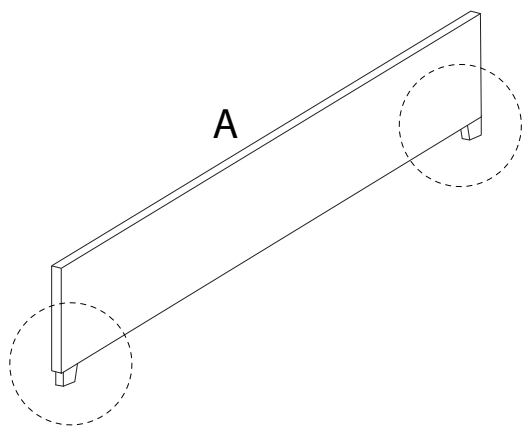
1 x 2

D  x1	E  x2	I  M8 x 35 x4	M  x4	P  x1	Q  x1
--	--	---	---	--	--

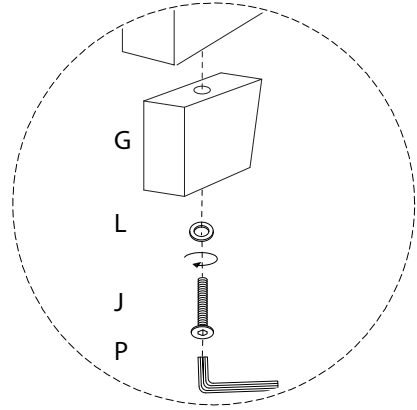
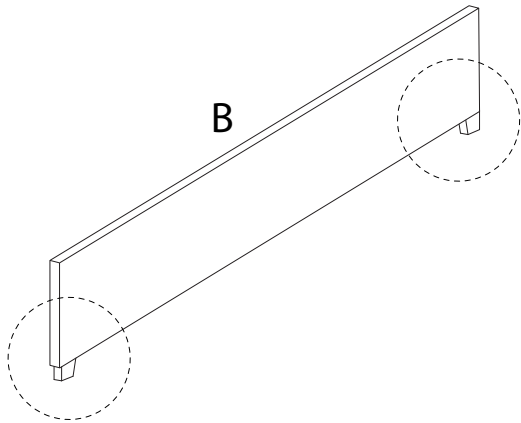
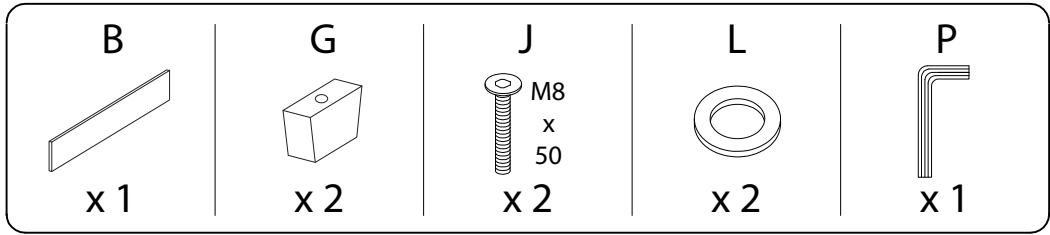


2

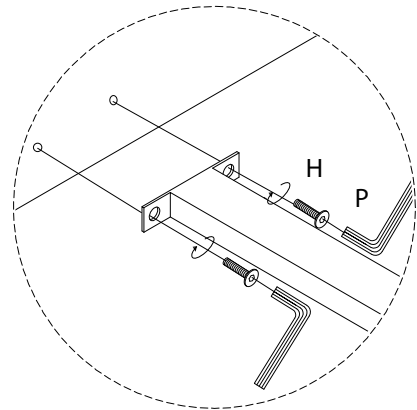
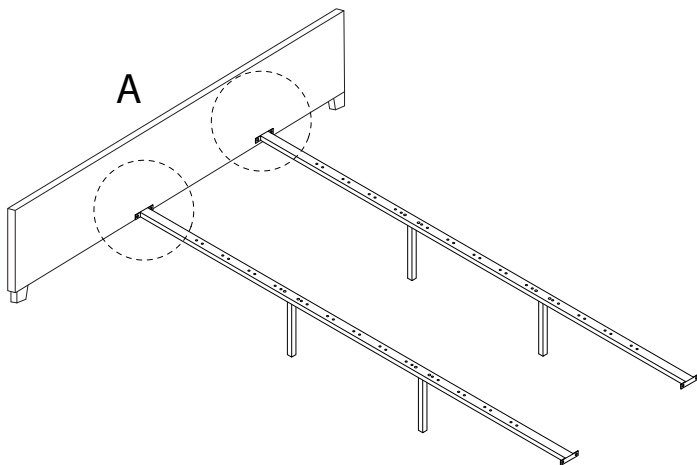
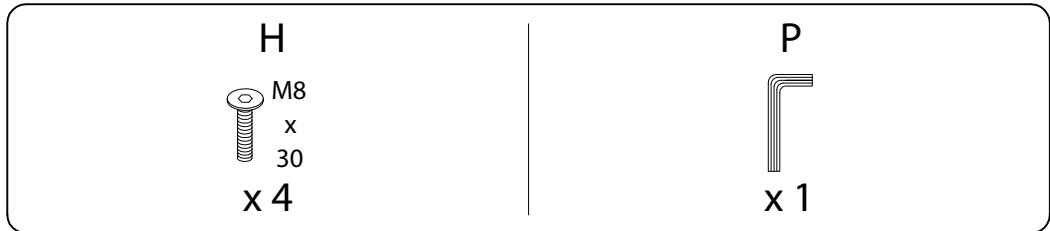
A  x1	G  x2	J  M8 x 50 x2	L  x2	P  x1
--	--	---	--	--



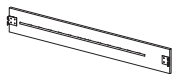
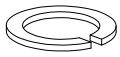
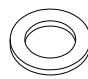
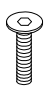
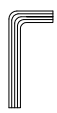
3

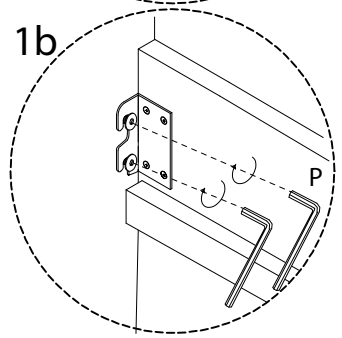
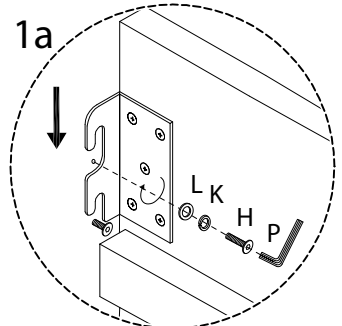
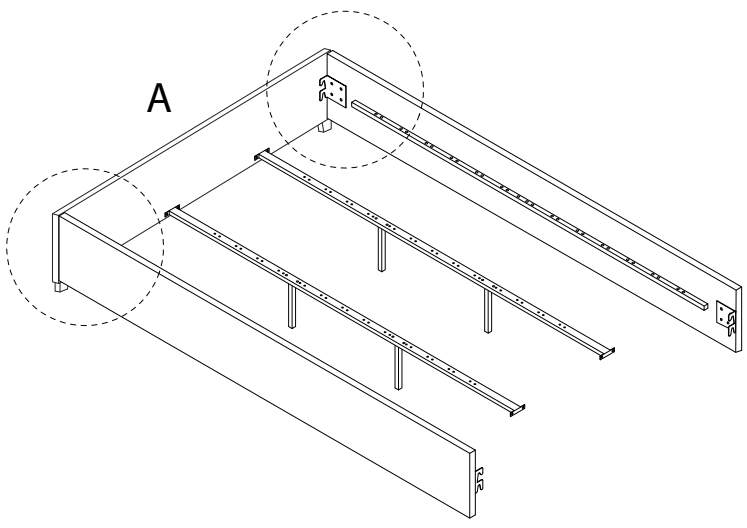


4


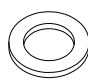

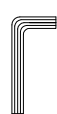


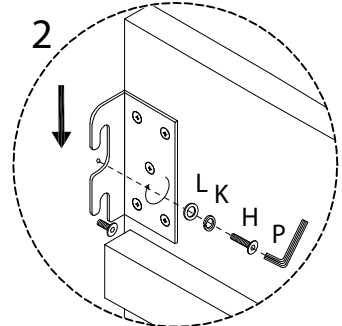
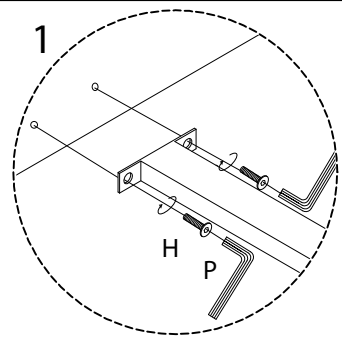
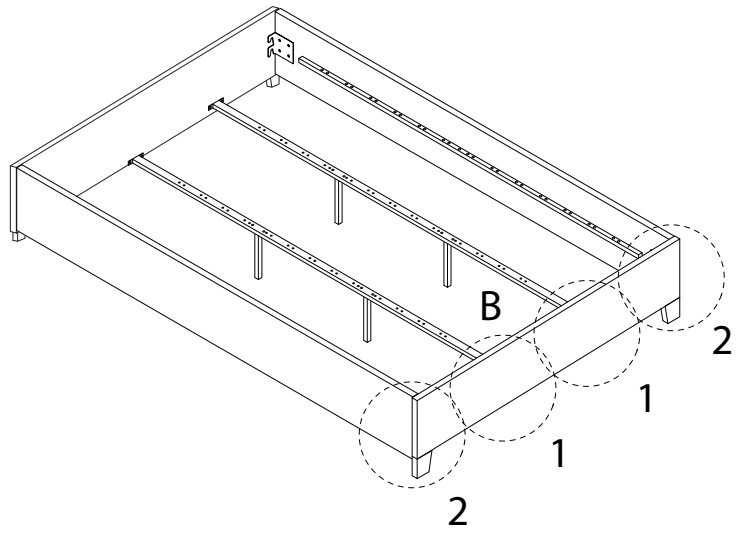
5

C  x2	K  x4	L  x4	H  M8 x 30 x4	P  x1
---	---	---	--	---

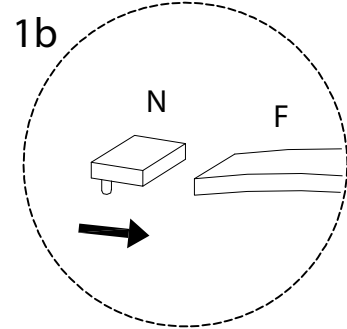
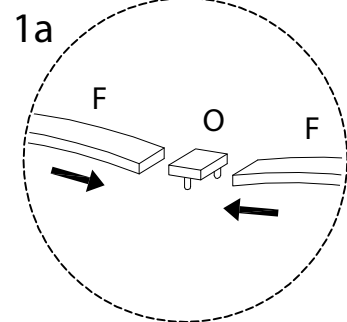
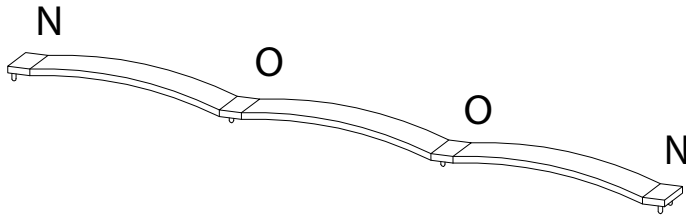
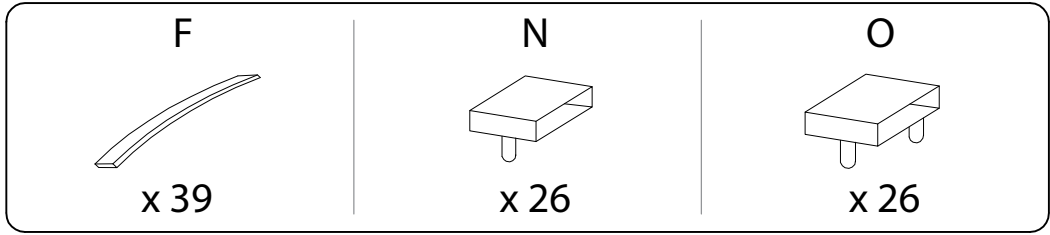


6

K  x4	L  x4	H  M8 x 30 x8	P  x1
---	---	---	---



7



8

