

**ATTENTION: DO NOT RETURN THIS PRODUCT!!!
PLEASE READ THE FOLLOWING!!!**

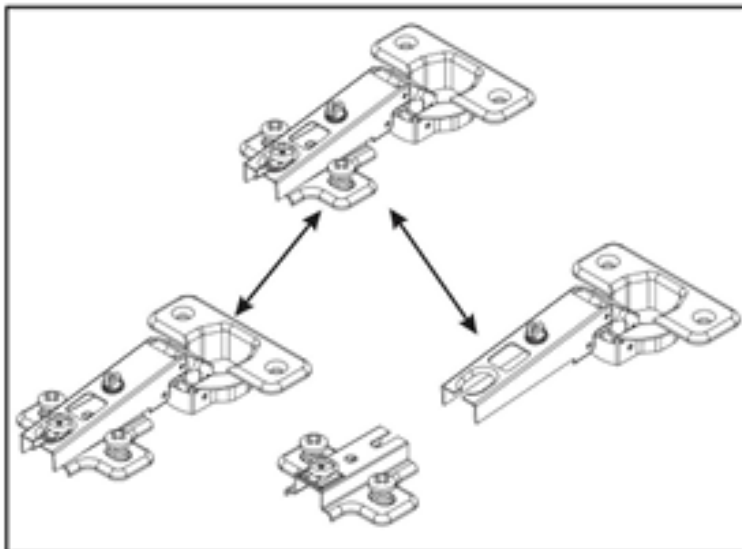
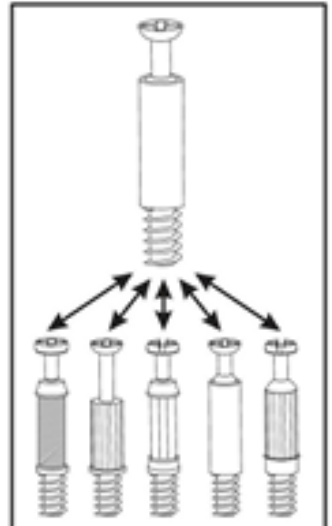
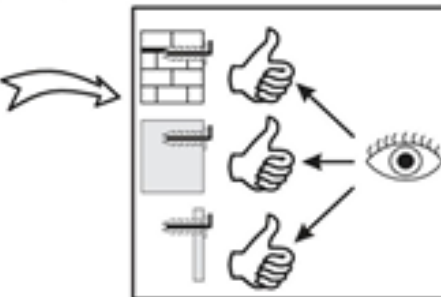
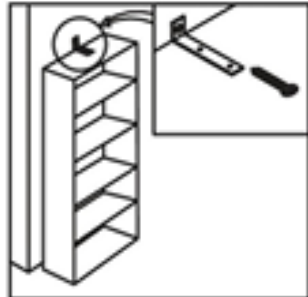
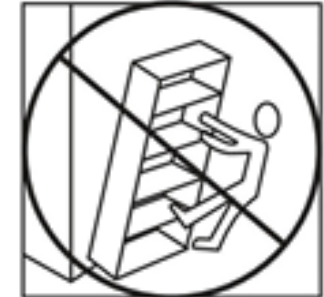
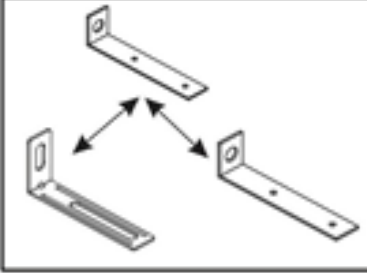
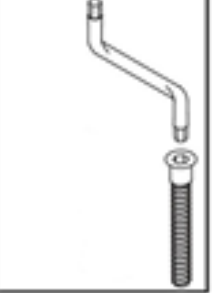
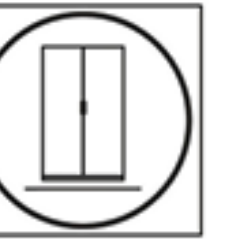
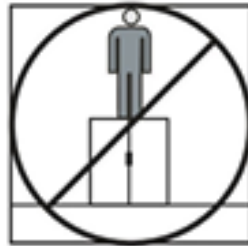
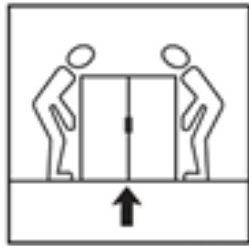
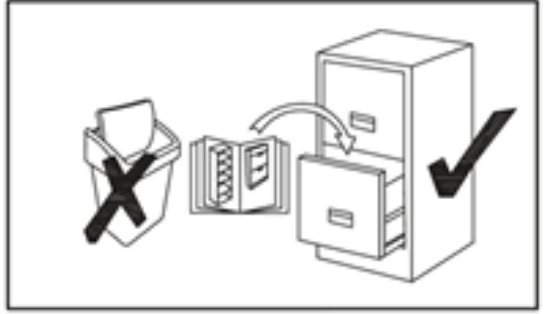
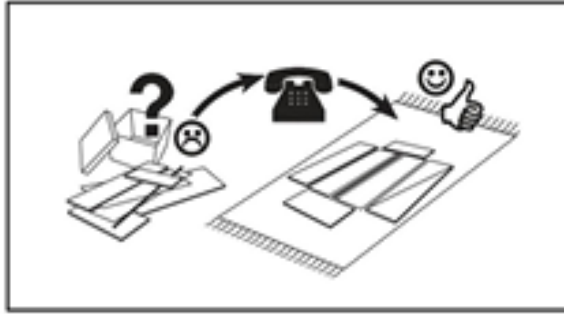
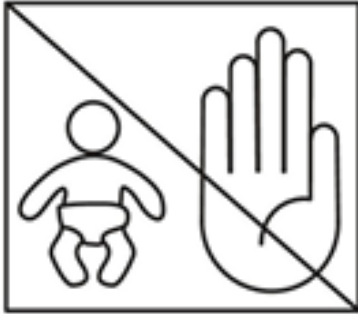
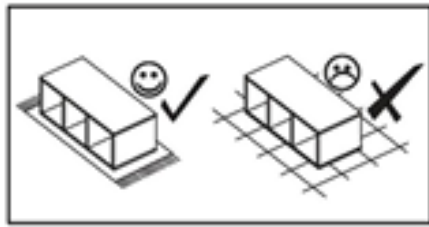
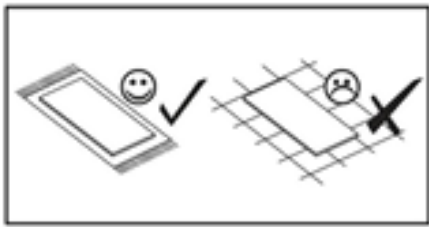
**NOTICE REGARDING HIGH GLOSS
PROTECTIVE FOIL AND PRODUCT CARE:**

After removing the protective foil from the gloss fronts, the acrylic surface of the boards is still soft and easy to scratch. With air contact, the hygroscopic acrylic layer hardens, and the board becomes more resistant to scratches. It takes approximately 48 hours for the acrylic layer of the board to fully harden.

Replacement parts are shipped out in one business day. You will receive a tracking number via email once your parts request has been processed.

**DO NOT CLEAN, WIPE, OR POLISH THE
ACRYLIC FRONTS FOR 48 HOURS AFTER
REMOVING THE PROTECTIVE FOIL!!!**

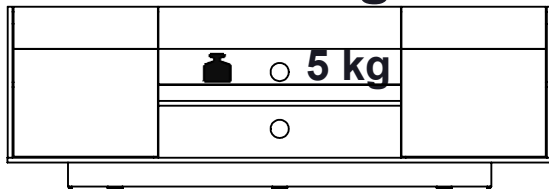




TV STAND

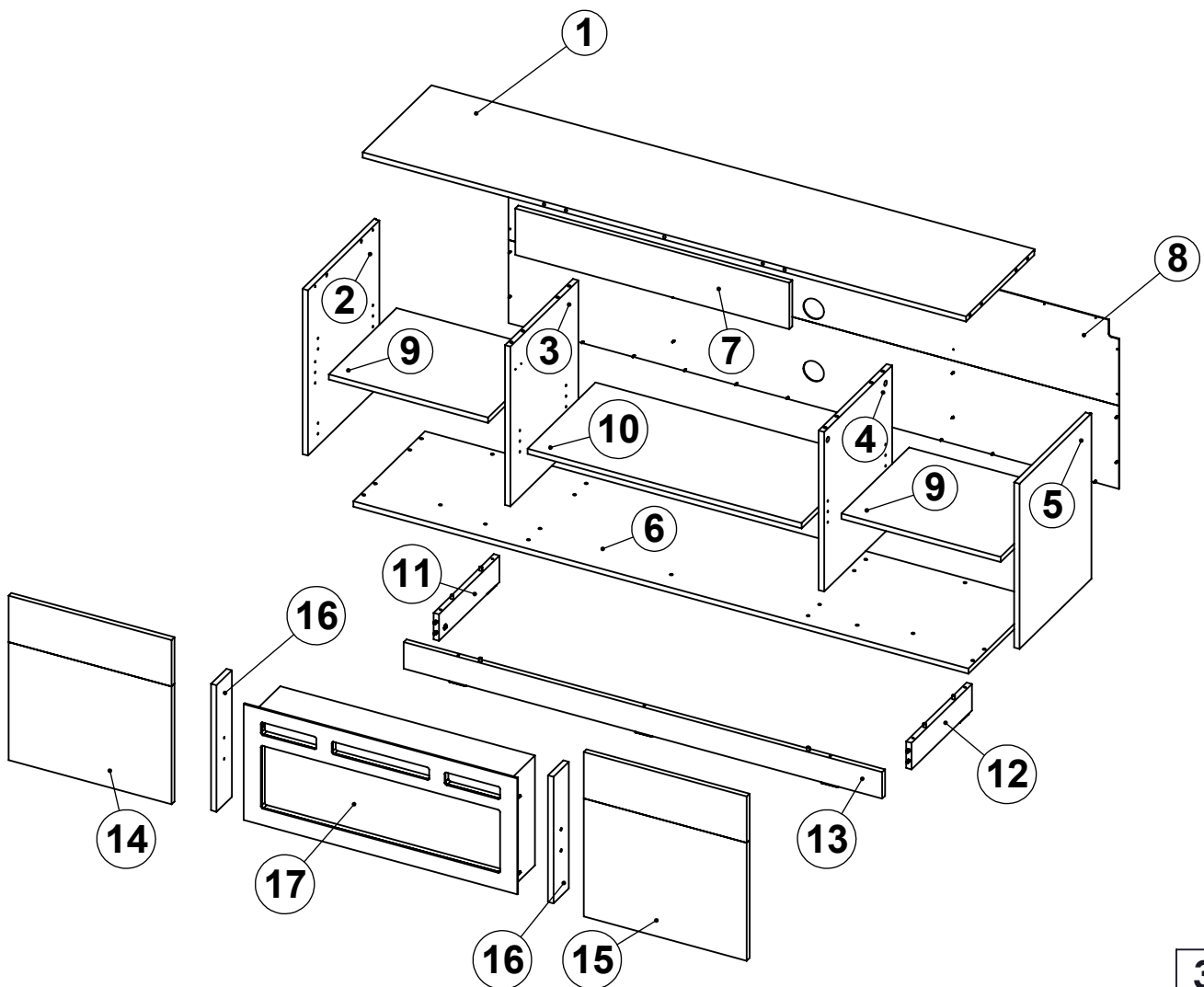
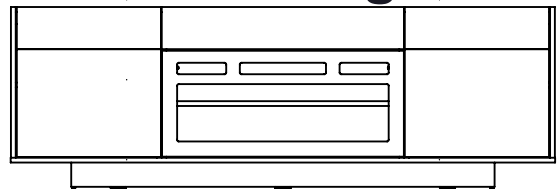
VARIANT-1 (WITHOUT FIREPLACE)

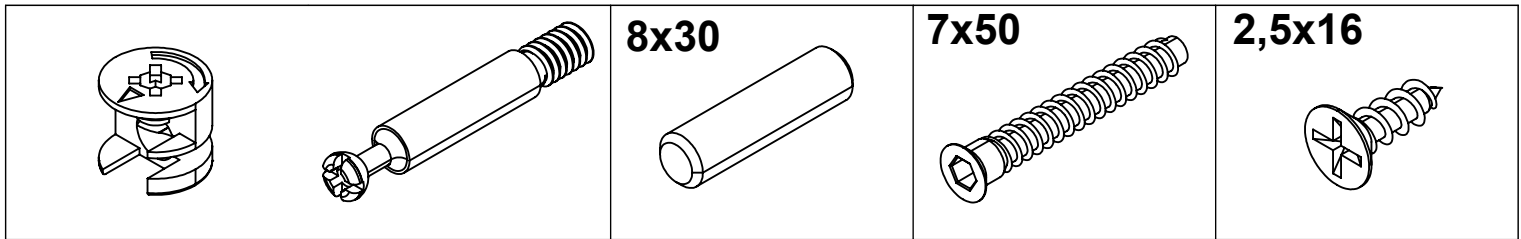
 15 kg



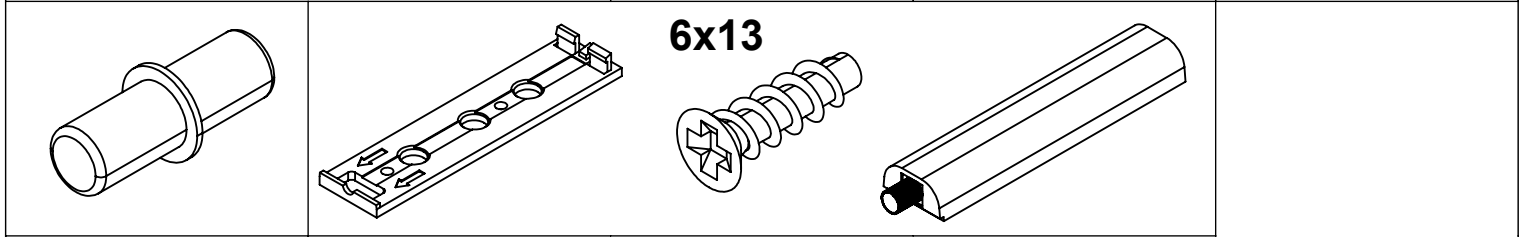
VARIANT-2 (WITH FIREPLACE) (OPTIONAL - FIREPLACE TO PURCHASE SEPARATELY)

 15 kg

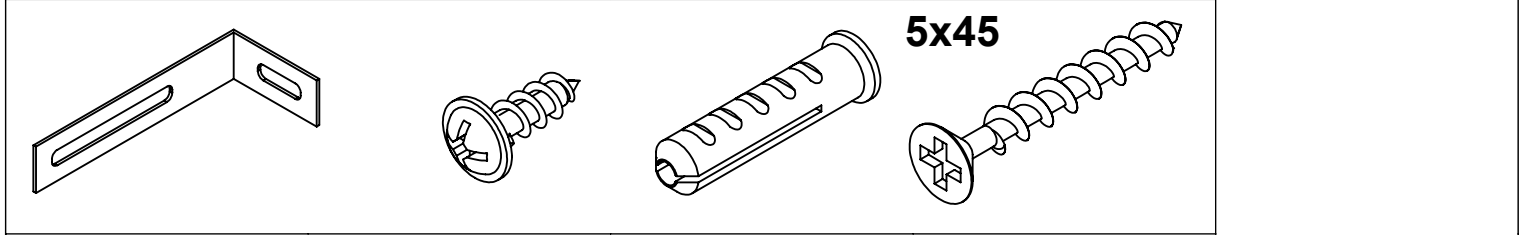




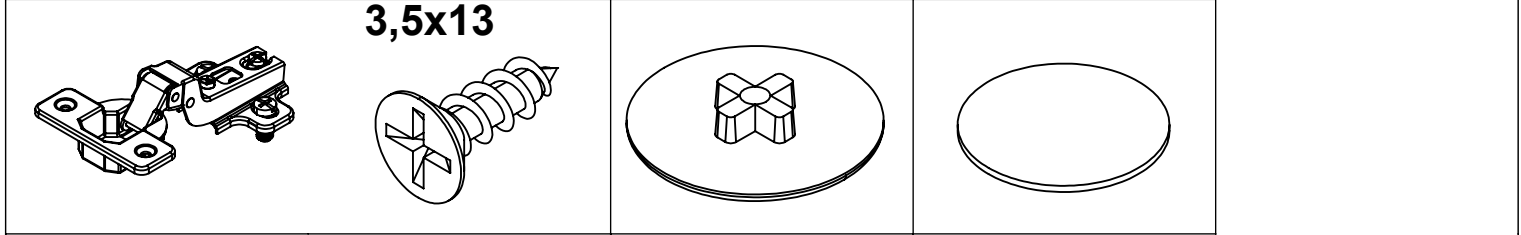
A x 13	B x 13	C x 26	D x 15	E x 40
---------------	---------------	---------------	---------------	---------------



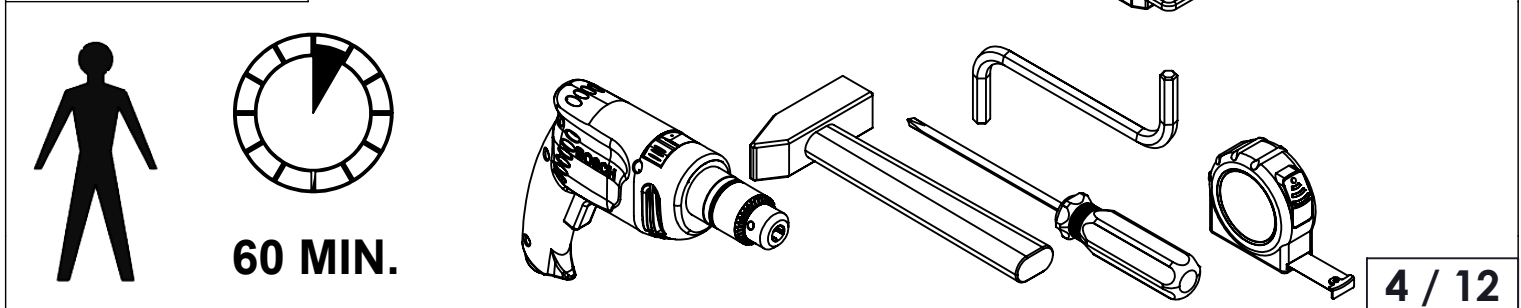
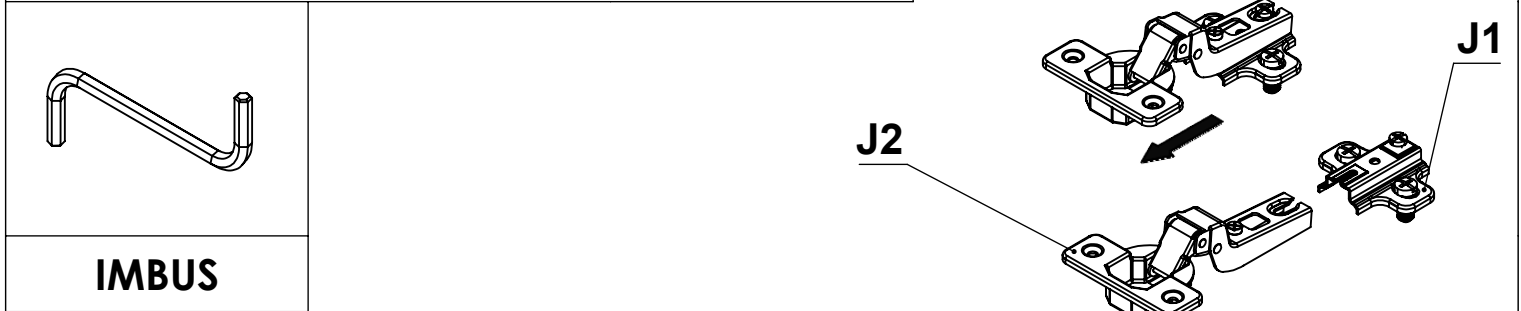
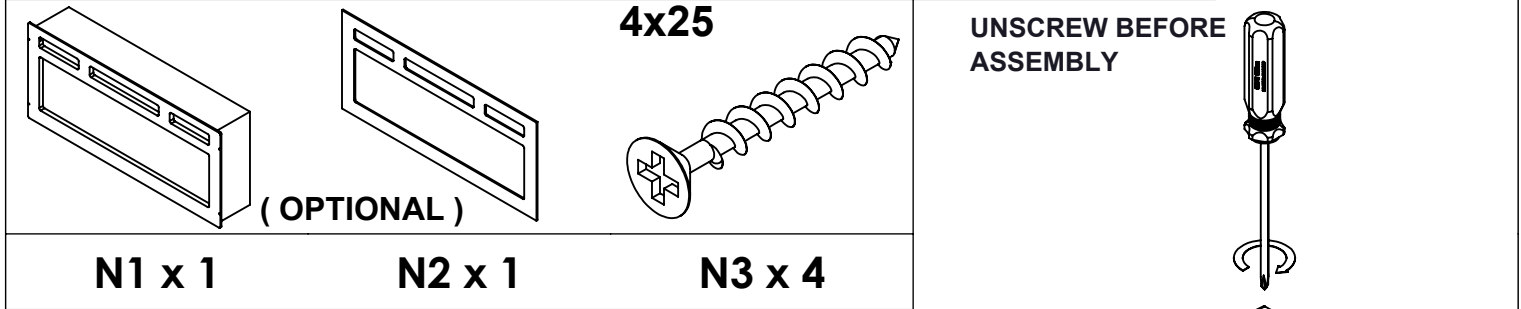
F x 12	H1 x 2	H2 x 4	H3 x 2
---------------	---------------	---------------	---------------




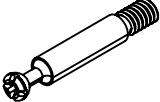
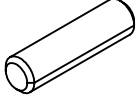
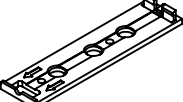
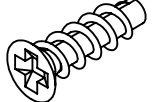
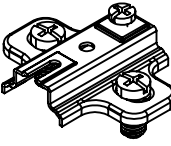
I1 x 4	I2 x 8	I3 x 2	I4 x 2
---------------	---------------	---------------	---------------

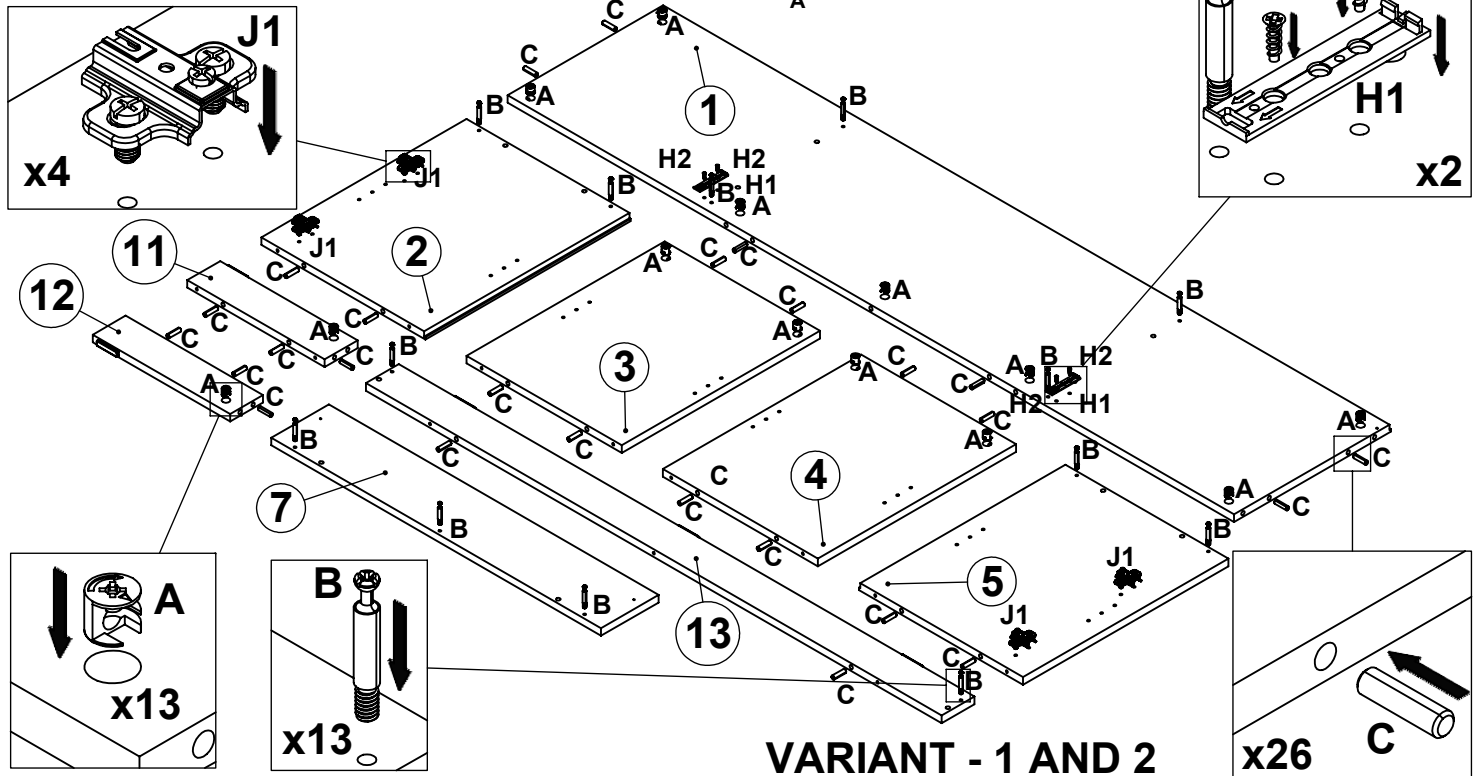
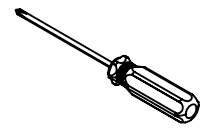


J1/J2 x 4	K x 8	L x 8	M x 7
------------------	--------------	--------------	--------------



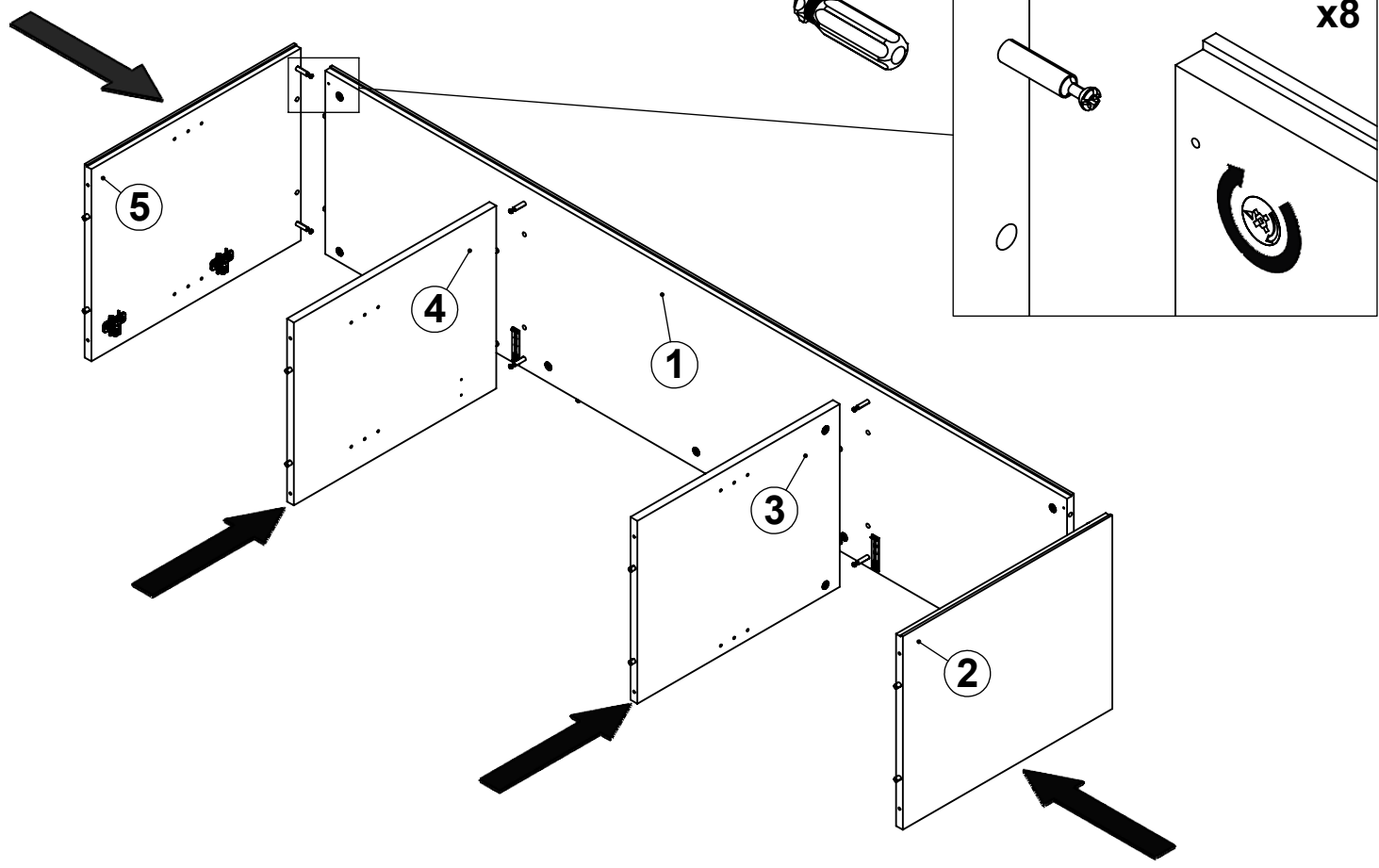
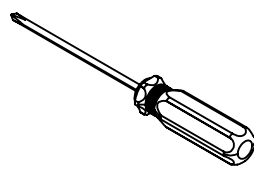
STEP - 1

					
Ax13	Bx13	Cx26	H1x2	H2x4	J1x4



VARIANT - 1 AND 2

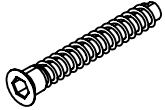
STEP - 2



VARIANT - 1 AND 2

STEP - 3

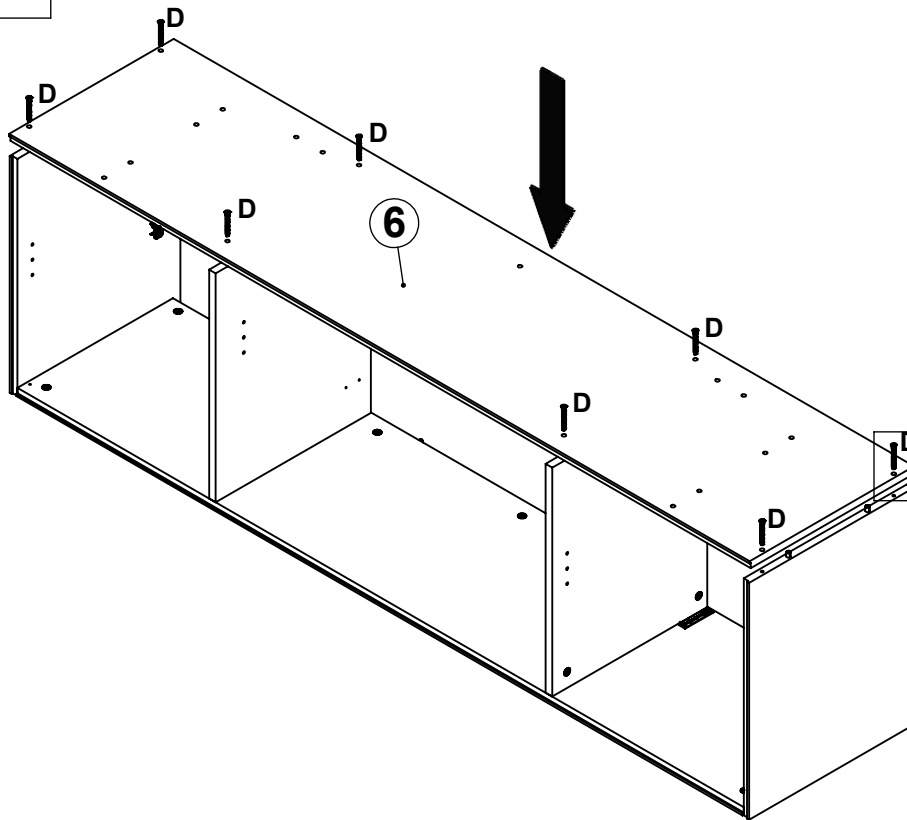
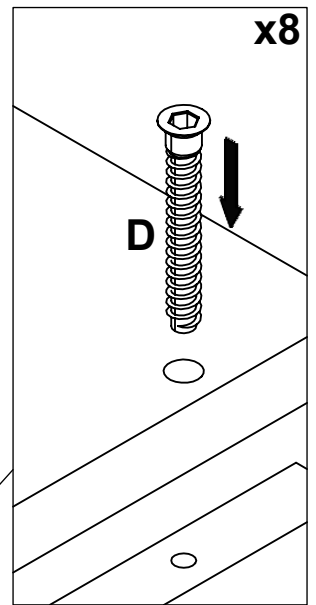
7x50



Dx8



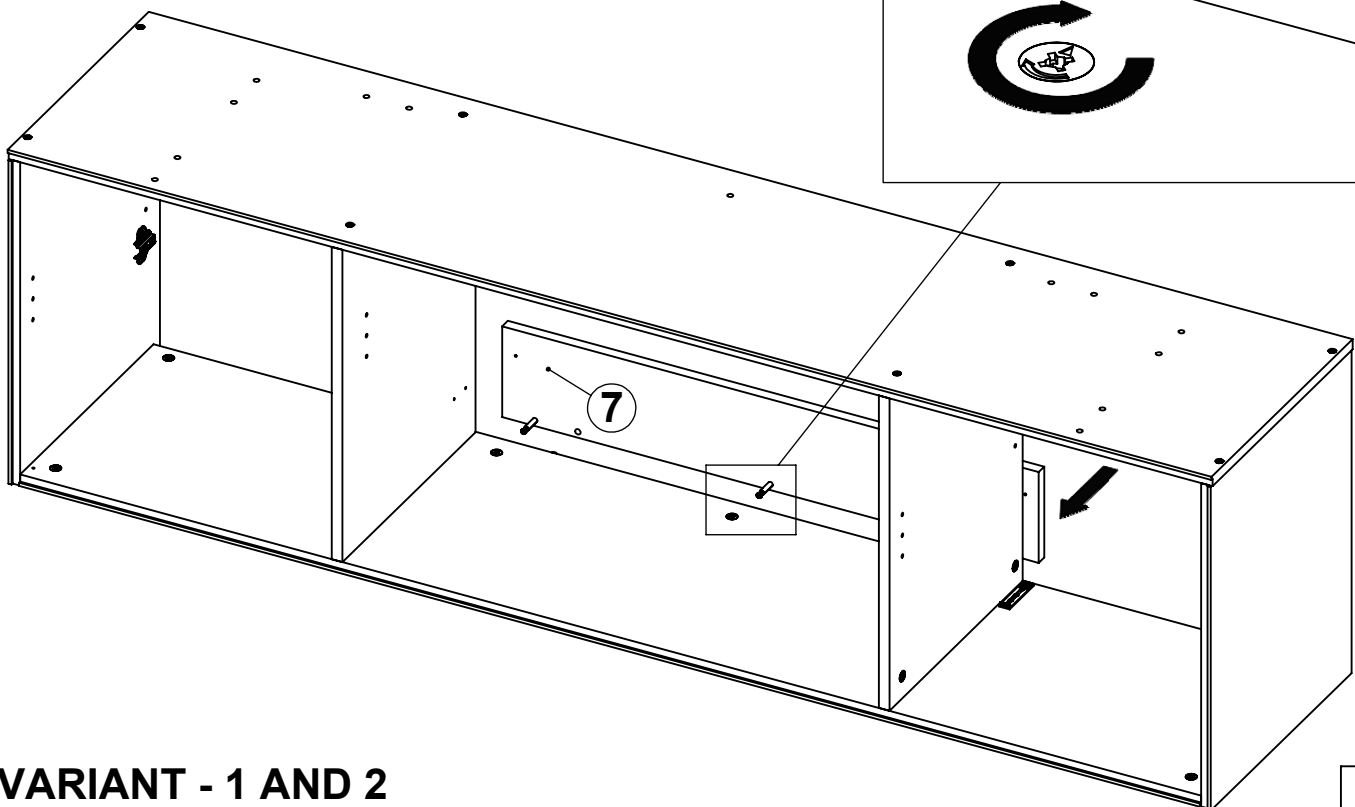
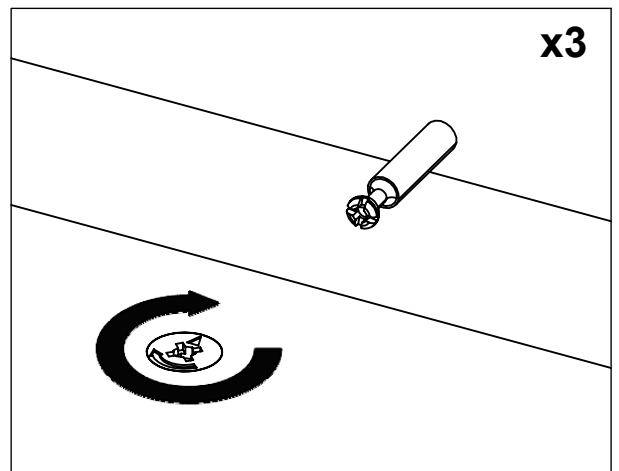
x8



VARIANT - 1 AND 2

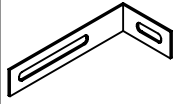
STEP - 4

x3

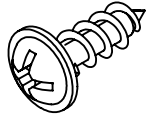


VARIANT - 1 AND 2

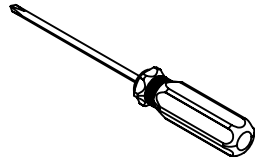
STEP - 5



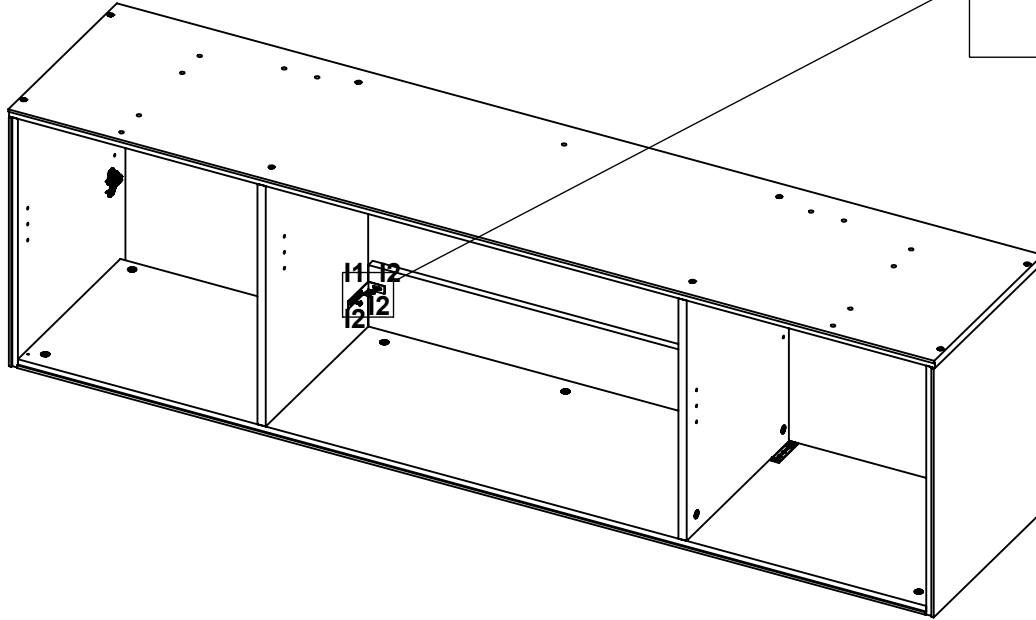
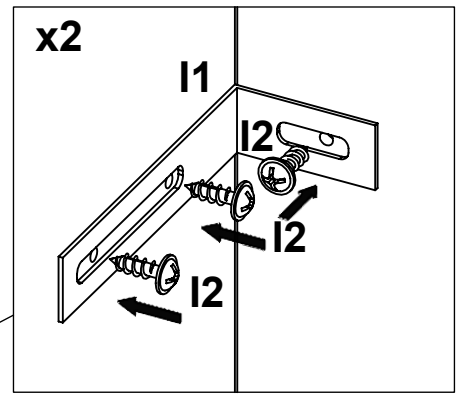
11x2



12x6

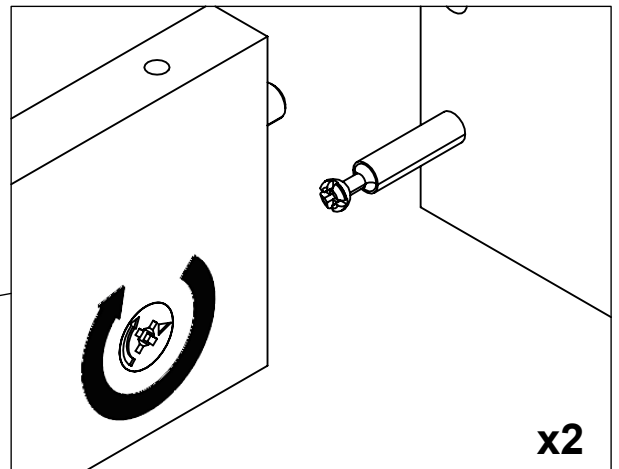
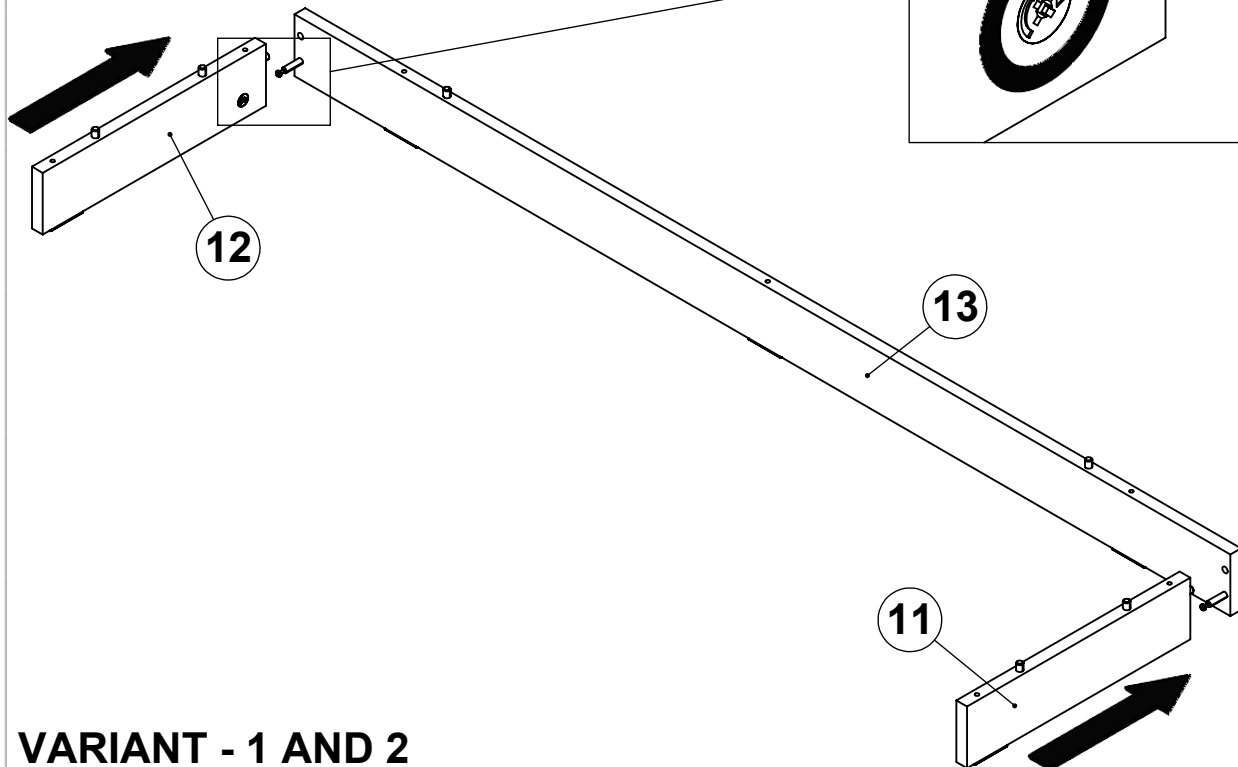
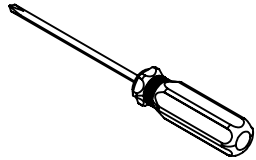


x2



VARIANT - 1 AND 2

STEP - 6

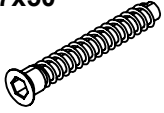


x2

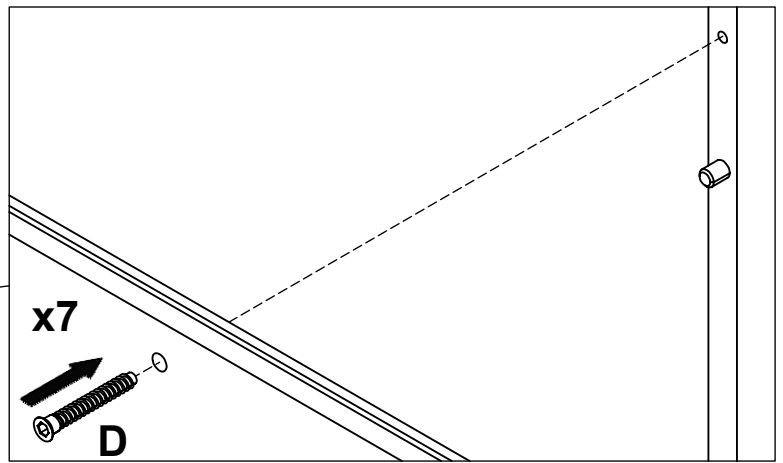
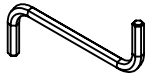
VARIANT - 1 AND 2

STEP - 7

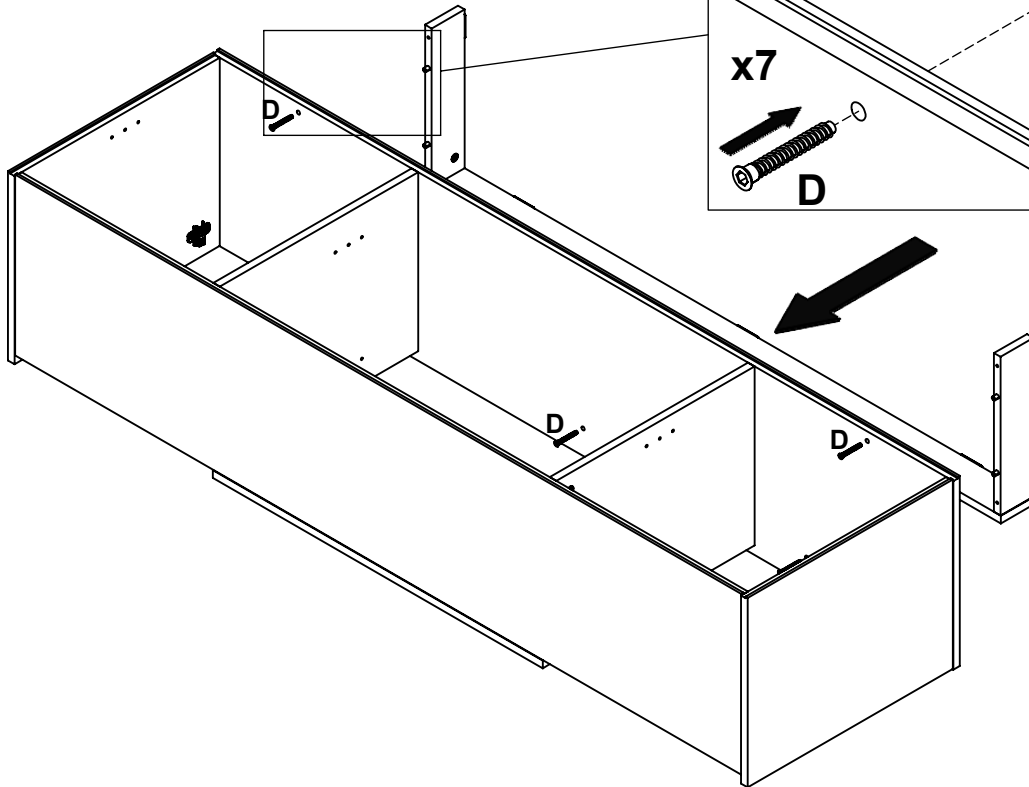
7x50



Dx7

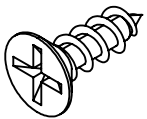


x7

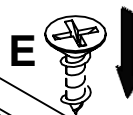
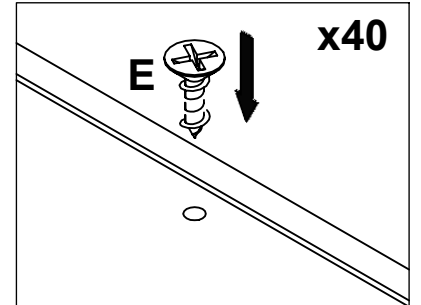
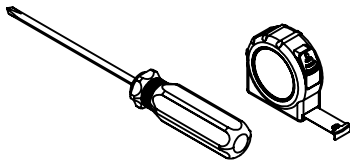


STEP - 8

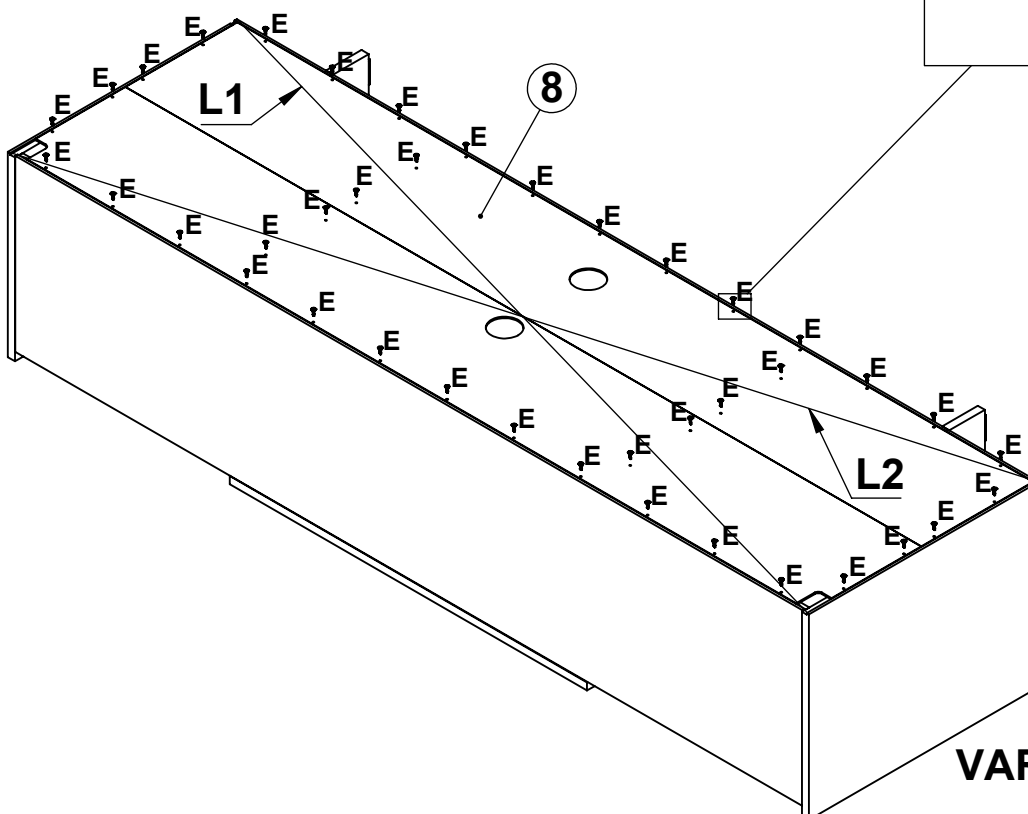
2,5x16



Ex40

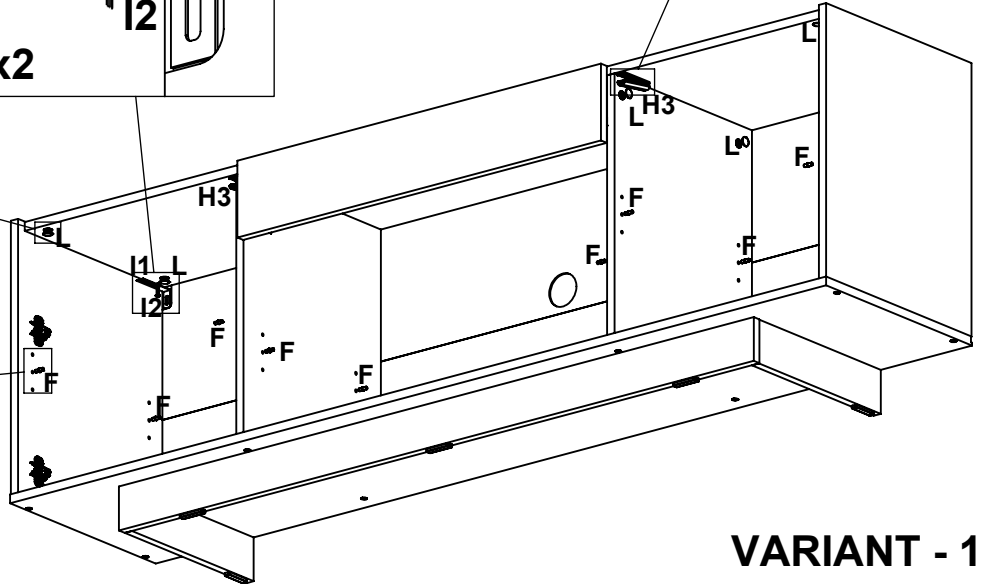
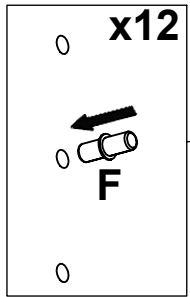
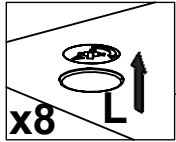
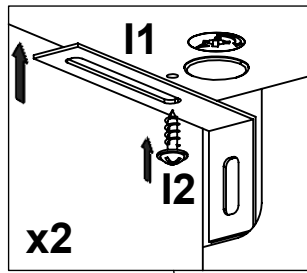
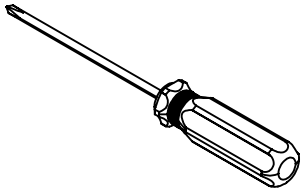
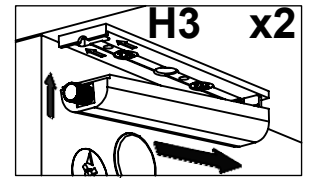
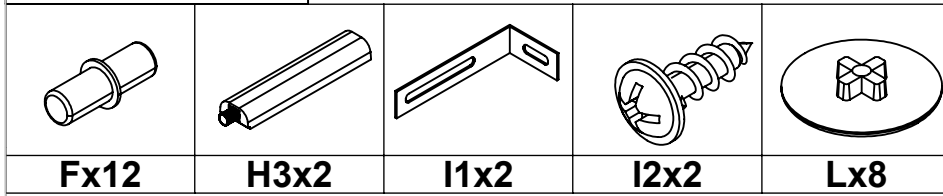


x40



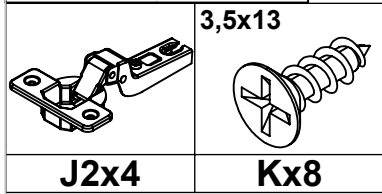
VARIANT - 1 AND 2

STEP - 9

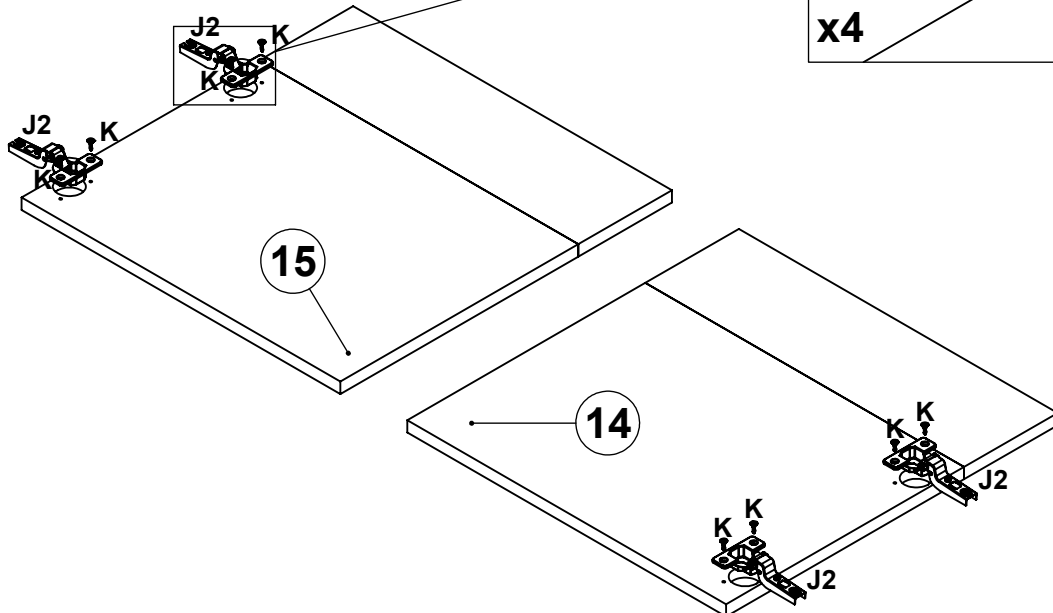
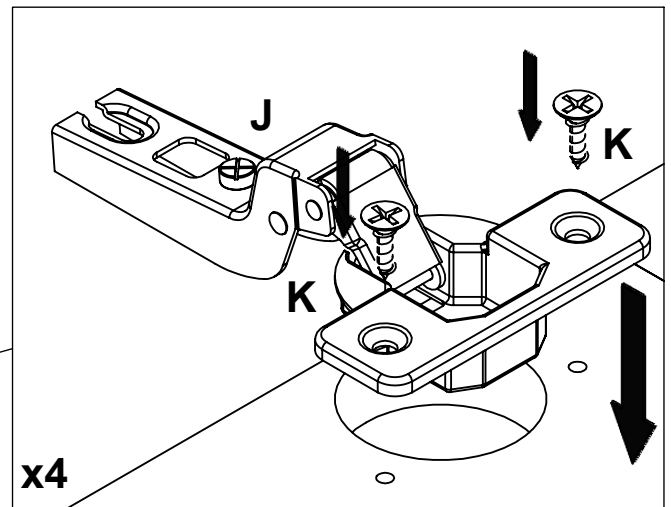
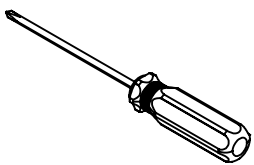


VARIANT - 1

STEP - 10



3,5x13

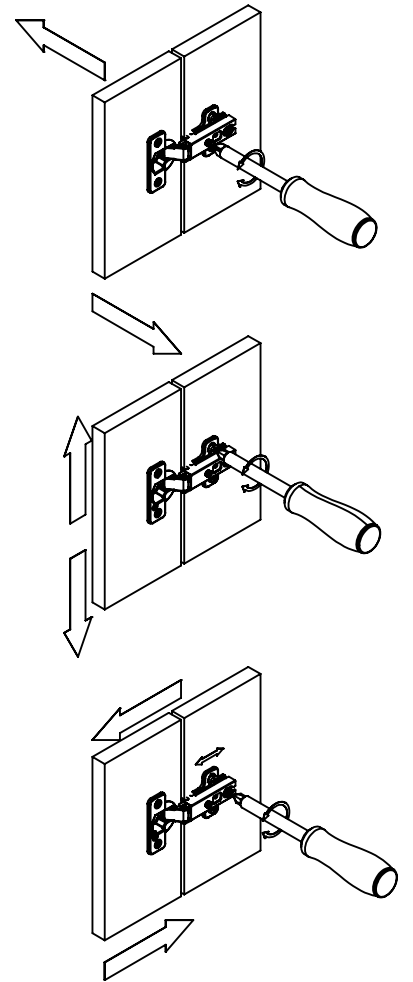
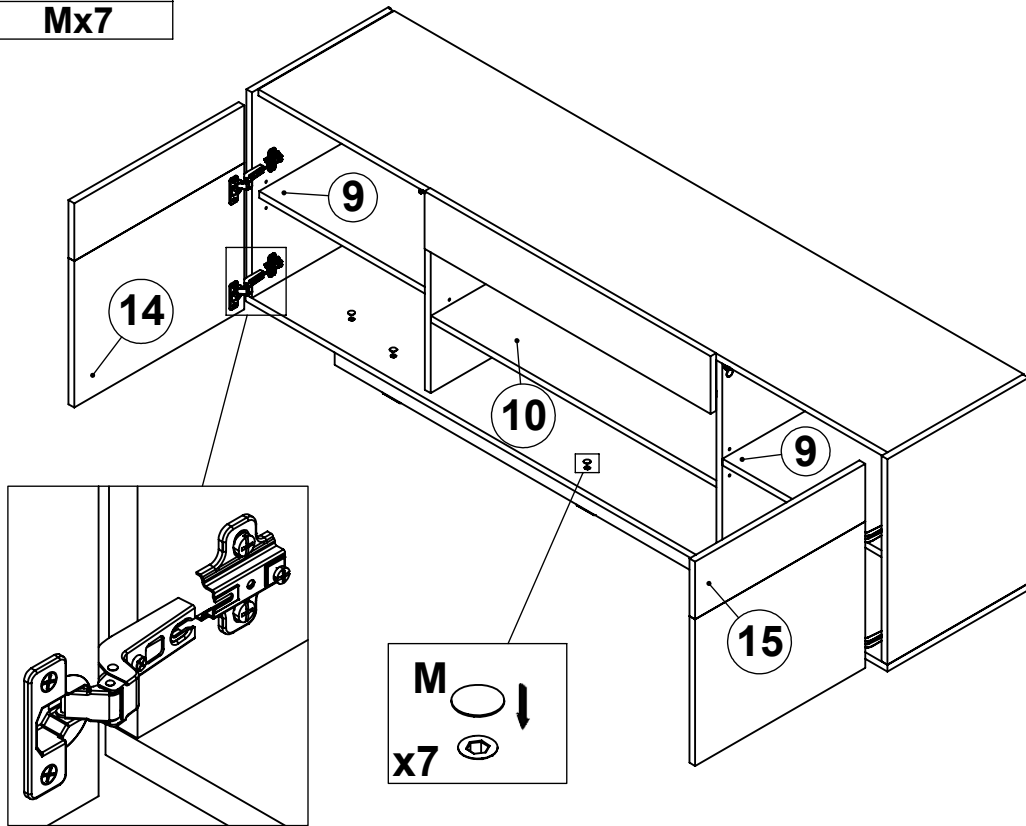
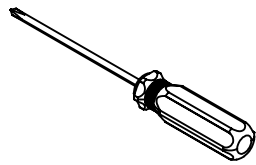


VARIANT - 1 AND 2

STEP - 11

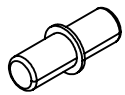


Mx7

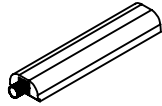


VARIANT - 1

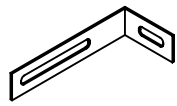
STEP - 12



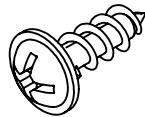
Fx12



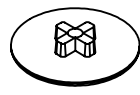
H3x2



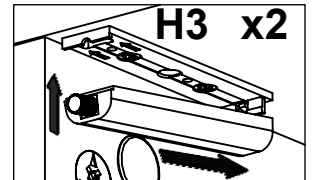
I1x2



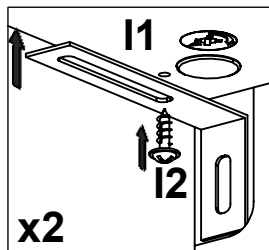
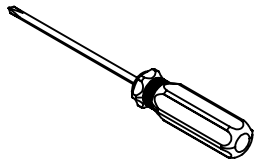
I2x2



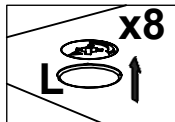
Lx8



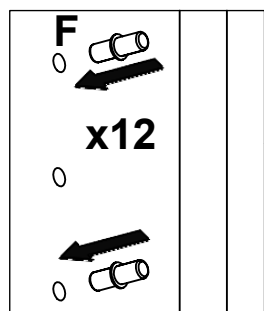
H3 x2



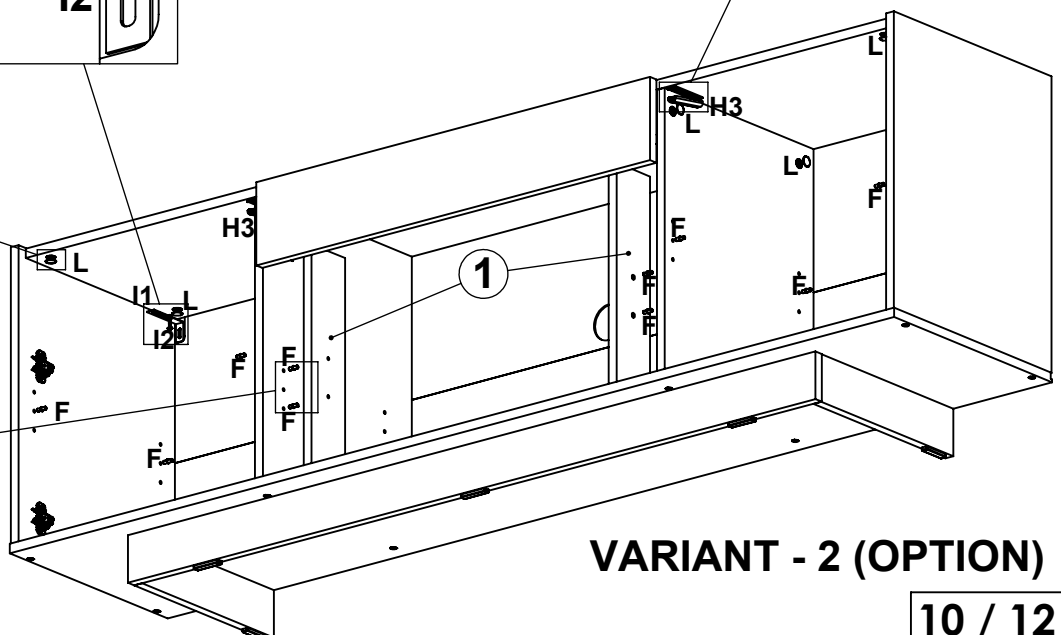
x2



x8


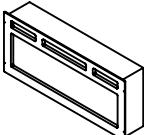
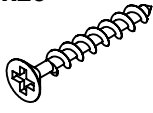


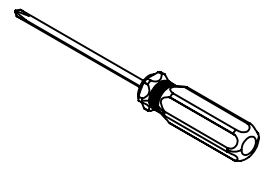
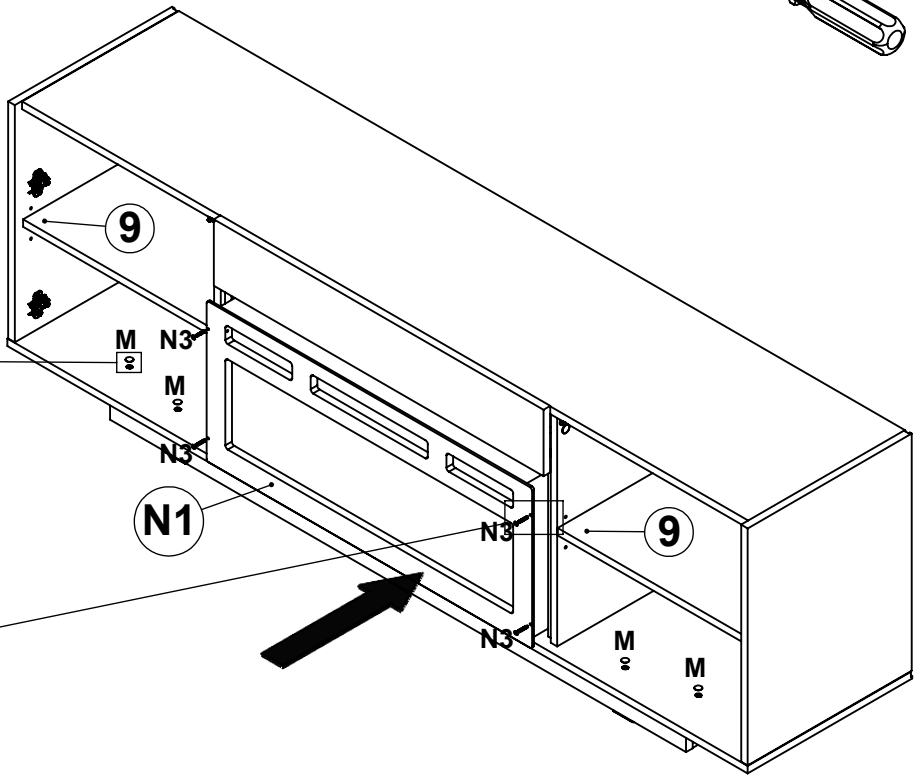
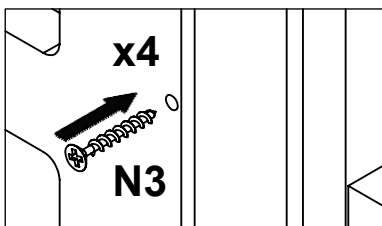
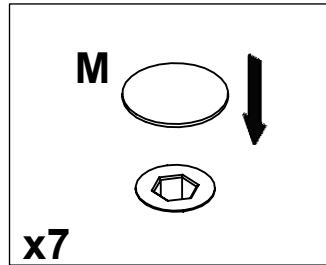
x12



VARIANT - 2 (OPTION)

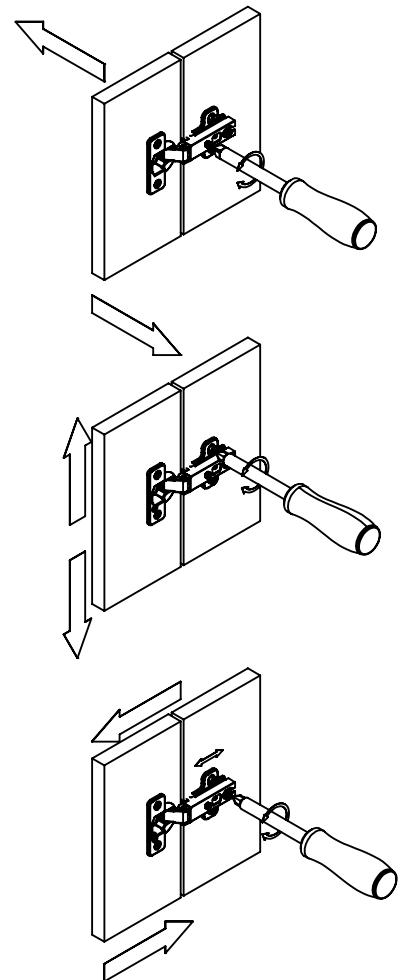
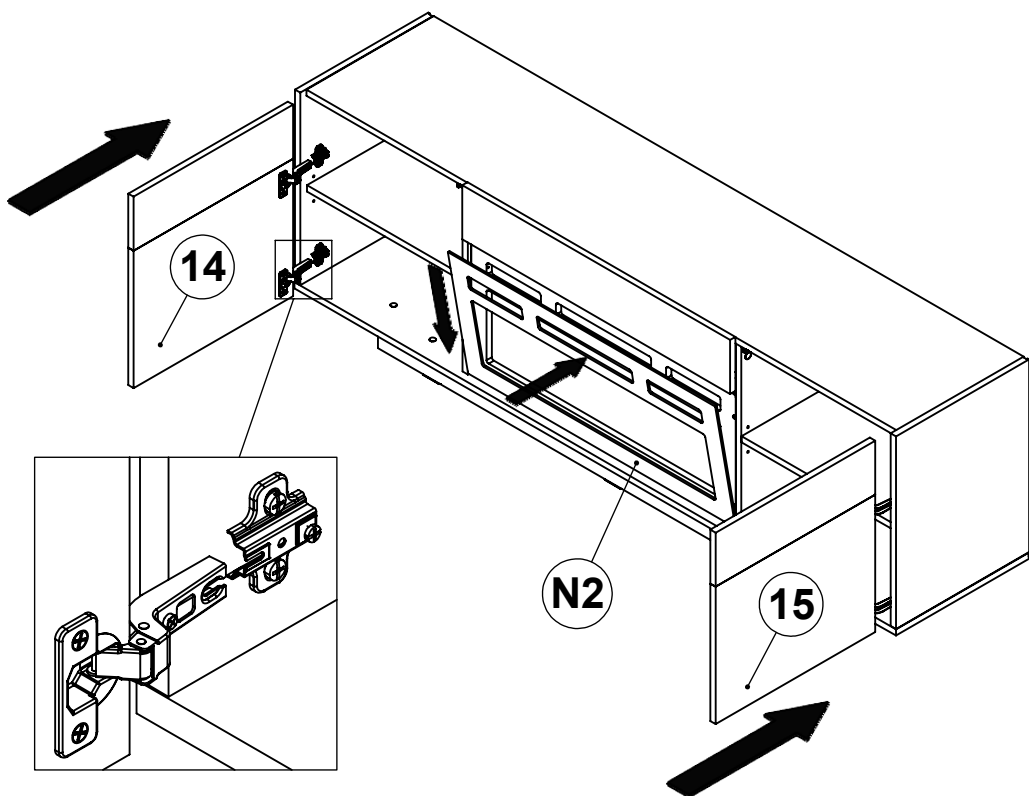
STEP - 13

		
Mx7	N1x1	N3x4



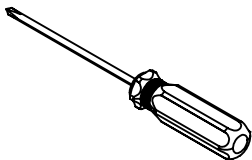
VARIANT - 2 (OPTION)

STEP - 14

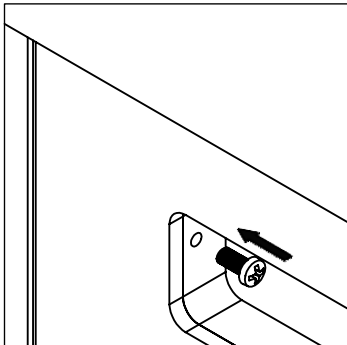


VARIANT - 2 (OPTION)

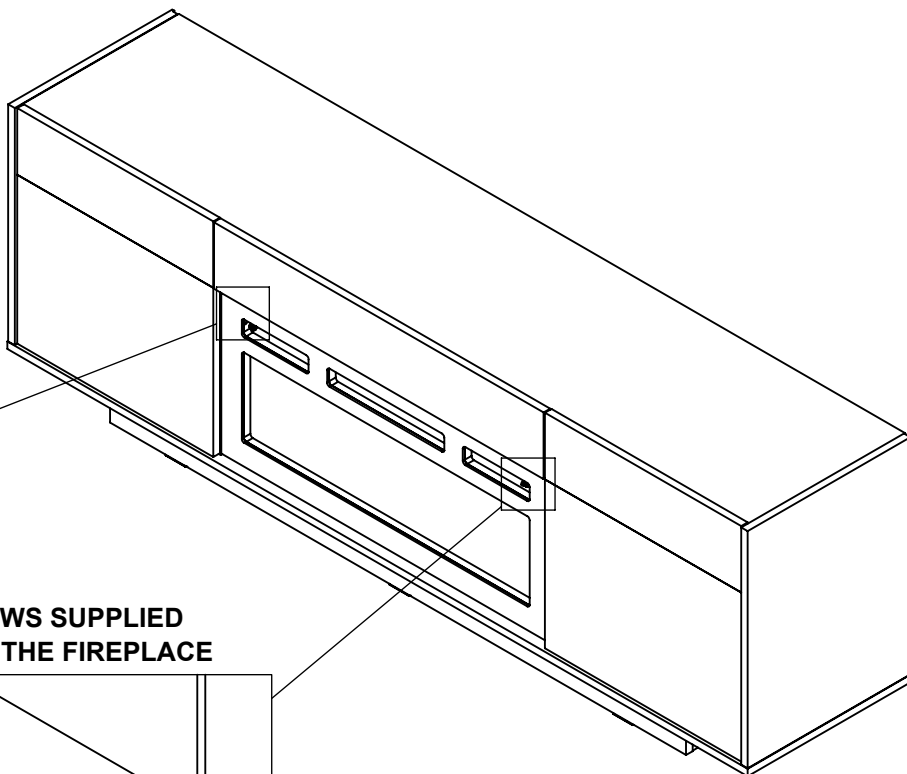
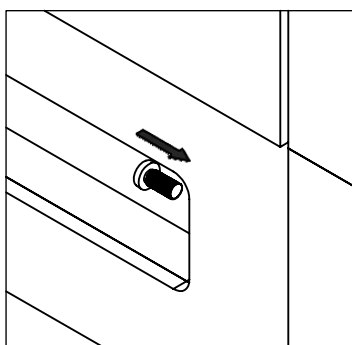
STEP - 15



SCREWS SUPPLIED WITH THE FIREPLACE

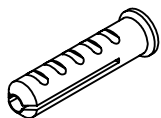


SCREWS SUPPLIED WITH THE FIREPLACE



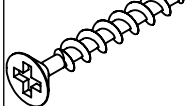
VARIANT - 2 (OPTION)

STEP - 16

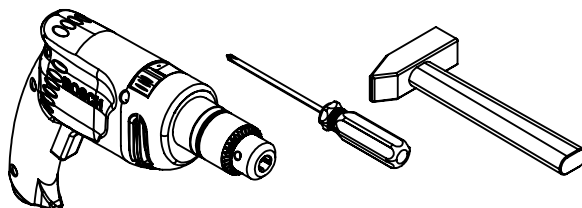


13x2

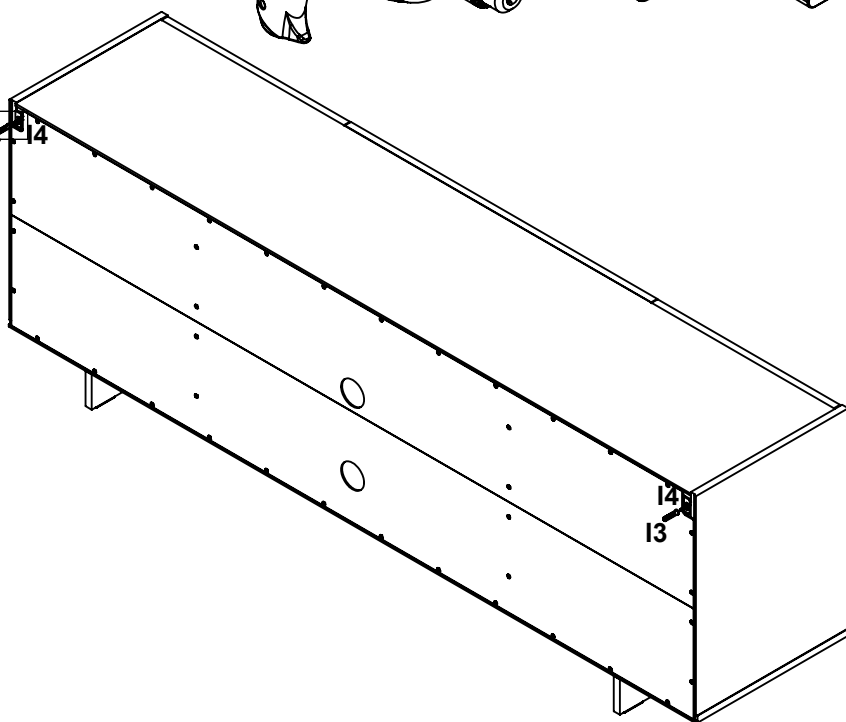
5x45



14x2

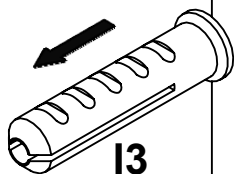


13 14



x2

14



13

VARIANT - 1 AND 2 12 / 12