

ASTB5-WHSS



Thank you for choosing this furniture.

BEFORE YOU START ASSEMBLY please store the carton at room temperature for 48 hours or more so the contents can acclimatise.

PLEASE RETAIN ALL PACKING UNTIL YOU HAVE COMPLETED ASSEMBLY.

CARING FOR YOUR FURNITURE

Please avoid placing your table close to radiators or other direct sources of heat.

Avoid leaving heavy items on your table as it may cause the top to move under the application of continuous weight.

The table is not suitable for use in humid environments or outdoors.

It is best to avoid exposing your furniture to continued bright sunlight as it can affect the colour. Any fluid spills should be removed as quickly as possible.

Always lift your table when moving as dragging may cause damage to your furniture or flooring.

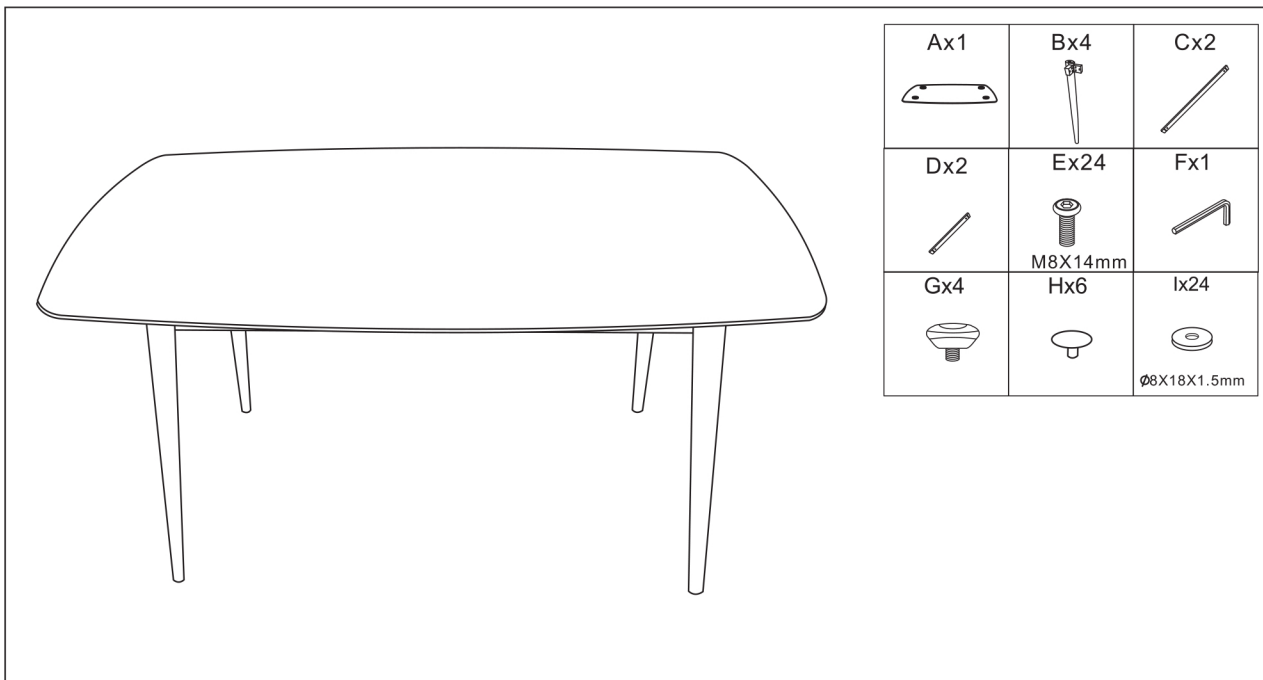
AFTER CARE

Wipe the surfaces with a damp cloth . Please do not use detergents, bleach or chemicals on your furniture.

RETAIN THE ALLEN KEY PROVIDED TO TIGHTEN THE LEGS OCCASIONALLY. Do not stand or step on this table.

Ensure your table sits evenly on your floor by adjusting the levellers whenever necessary.

BUILD YOUR FURNITURE ON A SOFT CLEAN COVER TO AVOID COMPONENTS BEING MARKED OR DAMAGED DURING ASSEMBLY.



BEFORE YOU START ASSEMBLY

Please check that you have all the correct parts and fittings as detailed in the Parts List above.

In the unlikely event that you require to order spare parts please refer to your delivery note for details of how to order on our Parts Website.

www.coreproducts.co.uk/parts

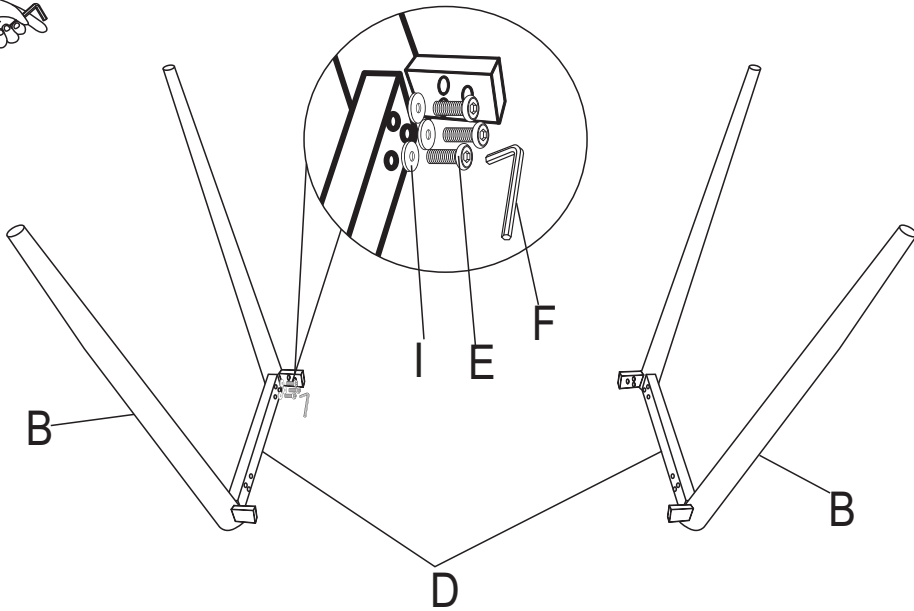
BATCH NUMBER

BAZ7455



PLEASE RETAIN THIS INSTRUCTION LEAFLET AND ALLEN KEY FOR FUTURE USE.

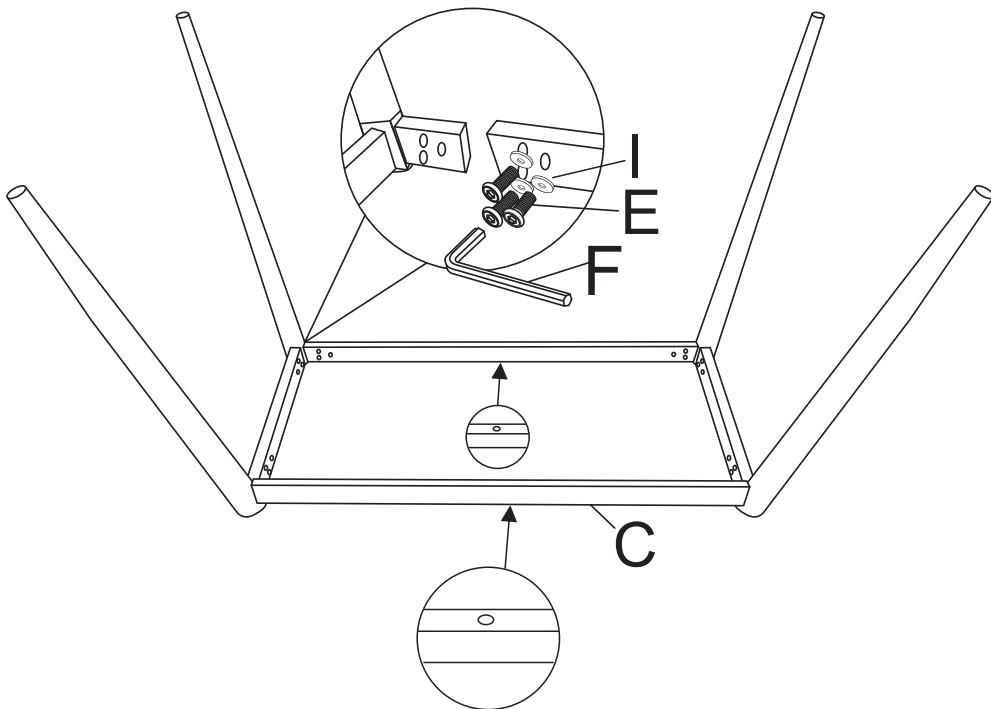
1



Bx4	
Dx2	
Ex12	
M8X14mm Ix12	
Ø8X18X1.5mm	
Fx1	

Slide end rail (part D) on to leg (part B) Insert bolts E into the corresponding holes, do not fully tighten. Repeat process on other legs.

2

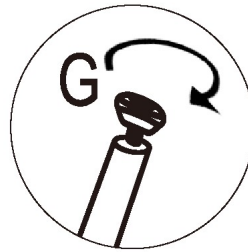


Cx2	
Ex12	
M8X14mm Ix12	
Ø8X18X1.5mm	
Fx1	

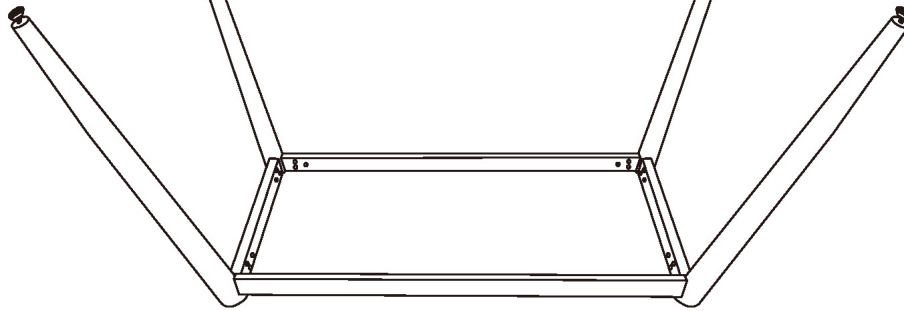
Slide side rails (part C) in to legs ensuring the hole in the side rail is in the correct position. Insert bolts E into the corresponding holes, do not fully tighten.

DO NOT FULLY TIGHTEN until all the bolts are correctly inserted and loose tightened. Once you are satisfied all bolts are in the correct position then **FULLY TIGHTEN**.

3

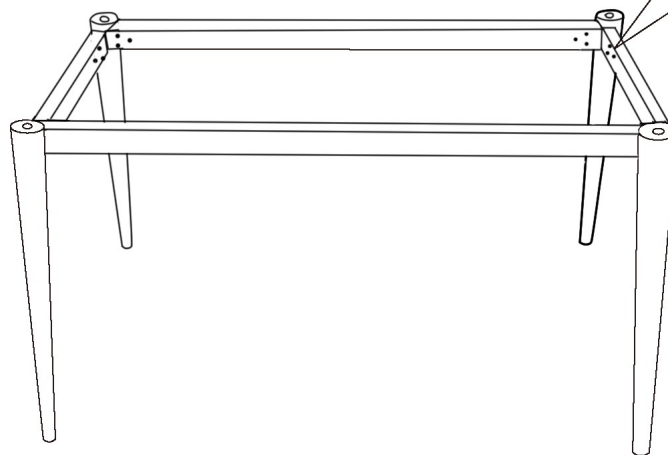
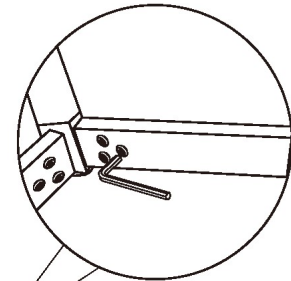


Gx4



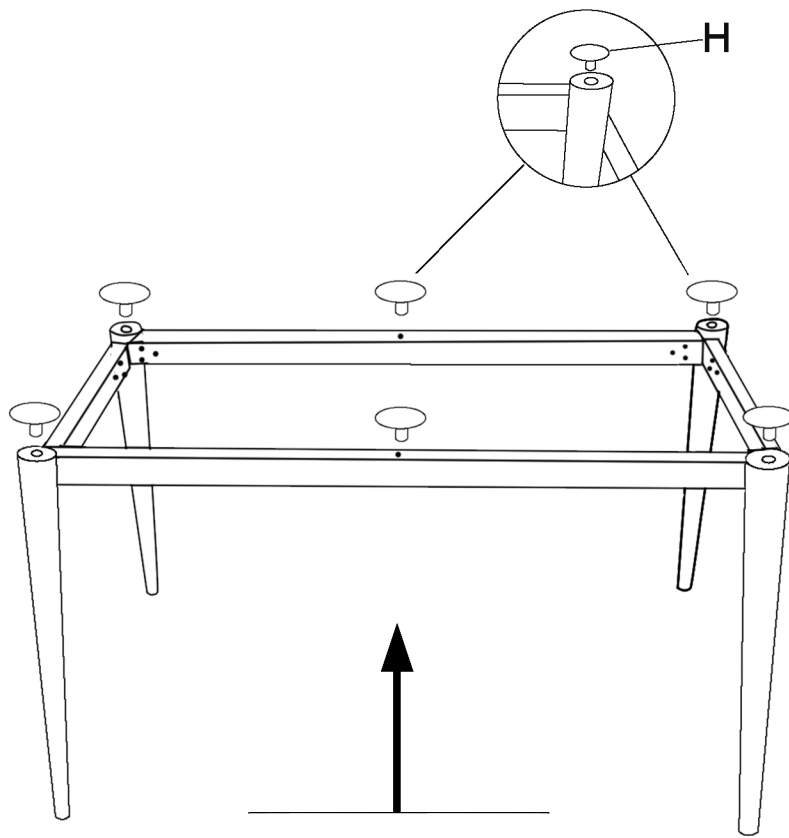
Insert adjustable feet into ends of legs, do not fully tighten. Then fully tighten all bolts.

4



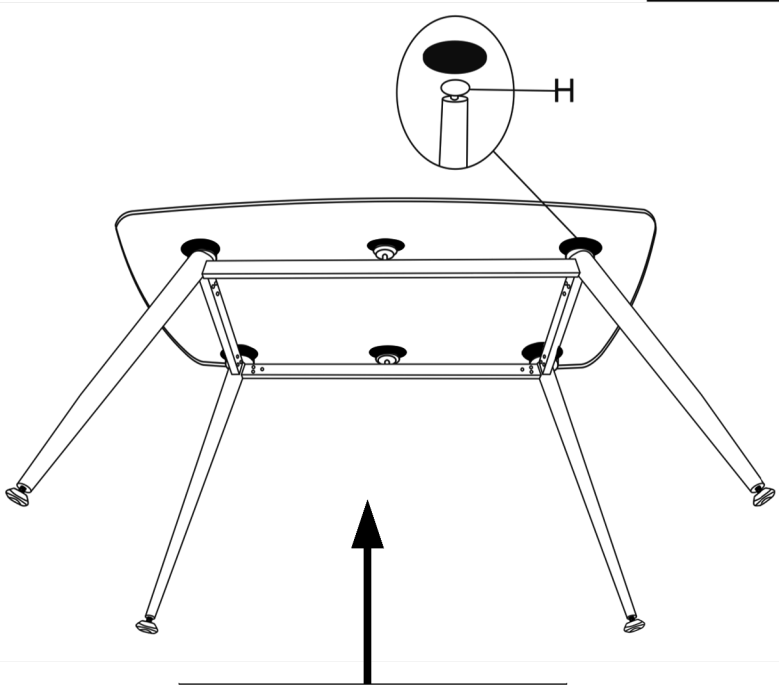
Place table frame into intended position in your room. Then fully tighten all bolts.
We advise using 2 people to lift the table into its upright position to avoid tipping the table on its legs
Lift the table into the desired position and adjust the levellers so your table sits evenly on your floor.
Do not drag or slide your table along the floor or tip the table onto its side to move, always use 2
people to lift into correct position.

5



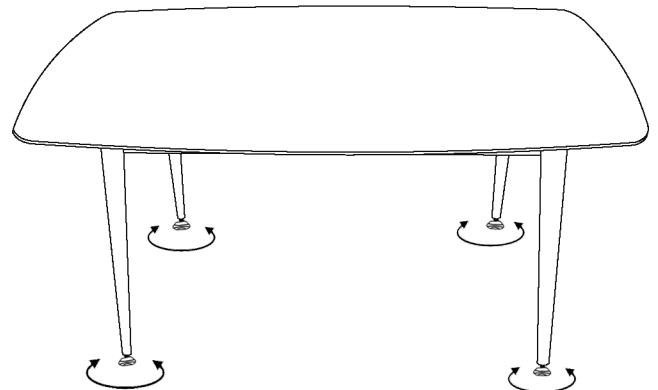
Insert part H into the 6 holes located in the legs and side frame.
Once finished wipe the suction pad with a damp cloth to ensure the stone top will adhere to the pads.

6



Carefully place the sintered stone top onto the table frame ensuring the factory fitted circular pads are underneath. We advise this is a process requiring 2 people holding each end and lowering the top into place. Once lowered look underneath and check alignment, if out of position the moisture on the suction pads should enable movement.

7



Adjust the levellers as required by turning until your table sits firmly and evenly on your floor. Do not drag or slide your table along the floor or tip the table onto its side to move, always use 2 people to lift into correct position.

WARNING - Do not drag or lift the table by the top as it may separate from the base, if you do need to move the table either remove the top first or lift by the legs. Do not tip the table on its side to move. DO NOT SIT OR STAND ON YOUR DINING TABLE.