

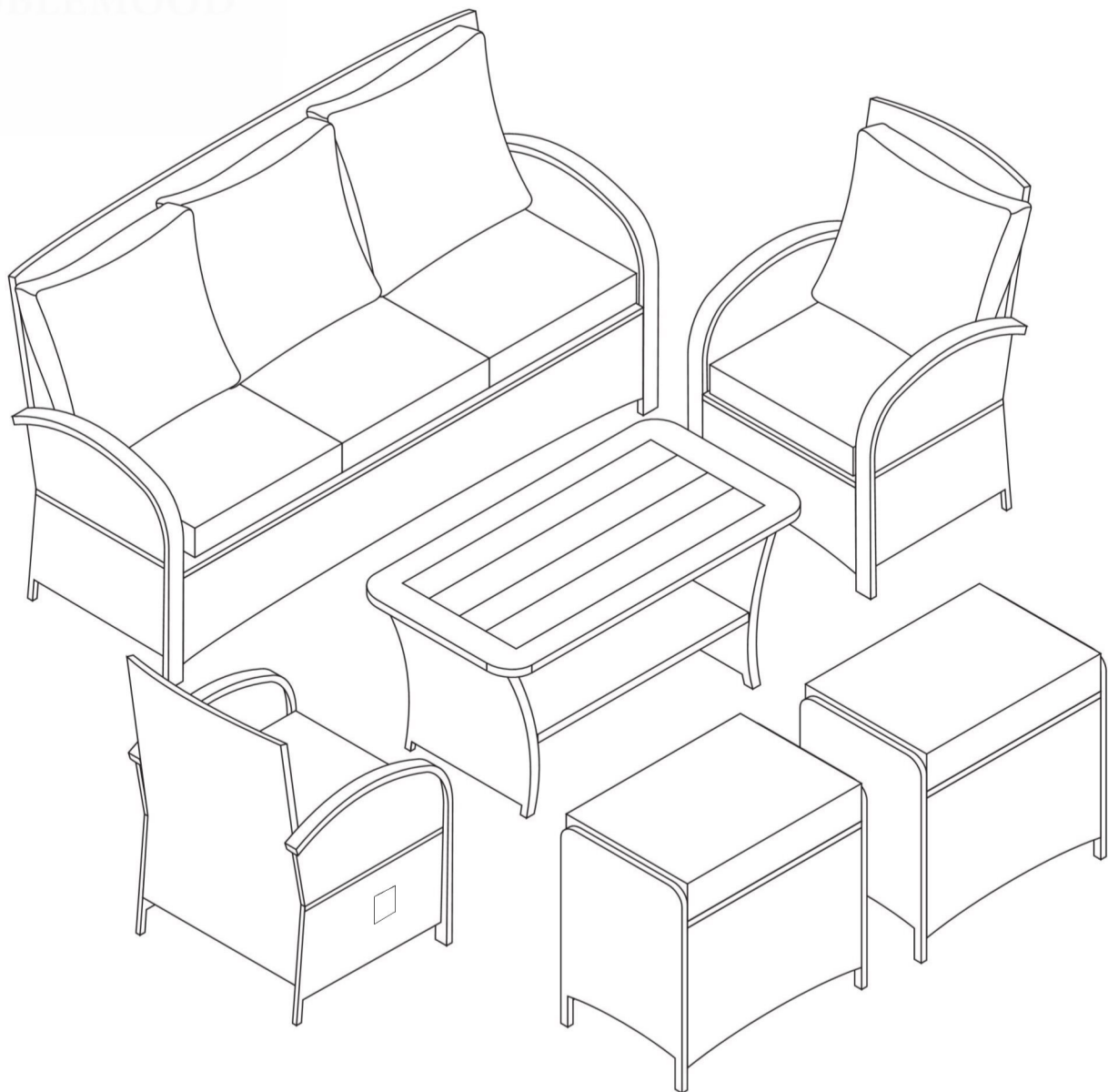
Patio Sofa Set

ASSEMBLY INSTRUCTIONS

YA2032



NOBLEMOOD



ATTENTION

1. Please check the part list carefully to make sure you've received all the parts.
2. If there are any missing parts, please contact us with the # and quantity. We will send them to you ASAP.
3. If there are any damaged parts, please contact us with clear pictures or video. We'll offer you the best solution after confirming it.
4. This set comes with 3 boxes. Sometimes they may be delivered on different day, please wait 2-3 more days or contact us for help.

CONTACT US

service@wublaned.com

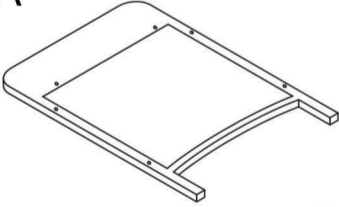
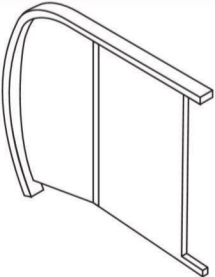
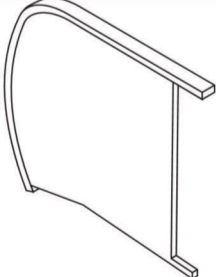
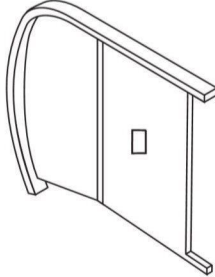
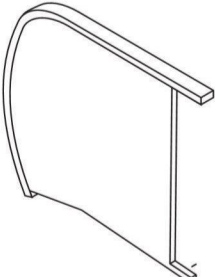
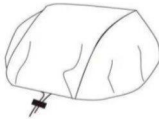
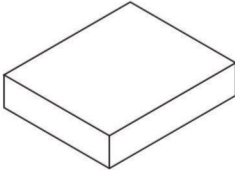











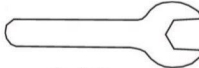
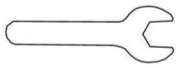
(Guaranteed response within 24 hours)

NOTE

1. Allen wrench is recommended instead of an electric drill.
2. If some screws are not aligned with holes during assembly, please loosen all the other screws to 50% and continue the assembly process.
3. If the items is not stable, please loosen all the screws, adjust it on a flat ground and tighten all the screws.
4. Please don't put the furniture outside without any sunshades in rainy, snowy days. Waterproof cover is recommended for keeping it last several years.
5. The set is manually woven by hands. The PE rattan weave of each set is different. Each model is unique.

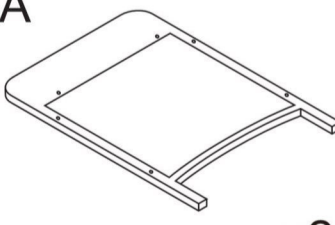
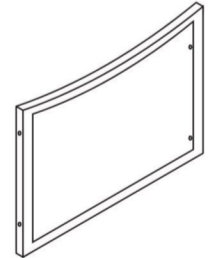
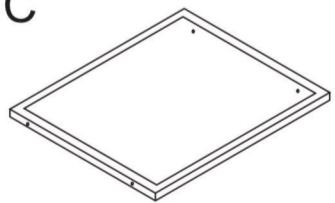
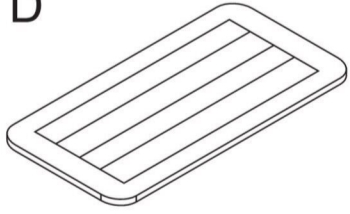
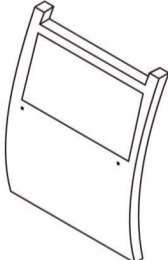
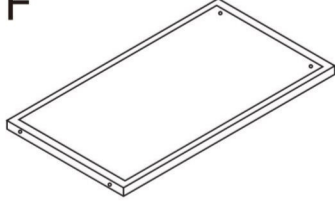
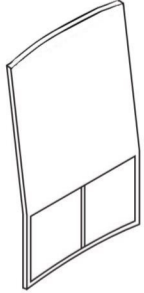
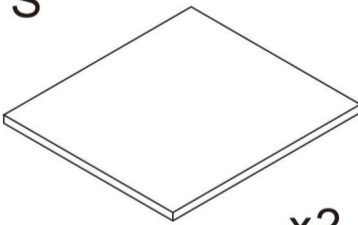
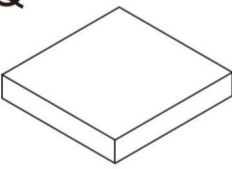
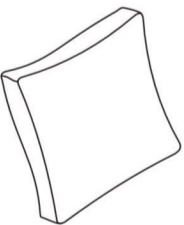
Assembly Instruction

PARTS LIST BOX A

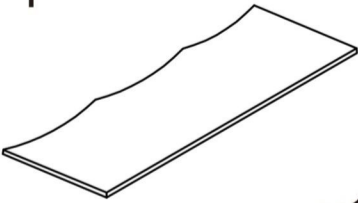
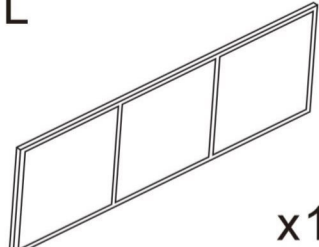
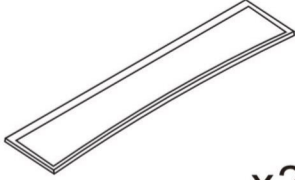
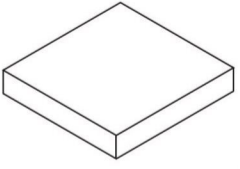
<p>A</p>  <p>x2</p>	<p>G</p>  <p>x1</p>	<p>H</p>  <p>x1</p>	<p>O</p>  <p>x2</p>
<p>K</p>  <p>x2</p>	<p>X</p>  <p>x1</p>	<p>Z</p>  <p>x2</p>	
<p>#1</p>  <p>M8x35mm</p> <p>x4</p>	<p>#2</p>  <p>M6x35mm</p> <p>x28</p>	<p>#3</p>  <p>M6x15mm</p> <p>x8</p>	<p>#4</p>  <p>M6x40mm</p> <p>x36</p>
<p>#5</p>  <p>M6</p> <p>x4</p>	<p>#6</p>  <p>M6</p> <p>x82</p>	<p>#7</p>  <p>M6</p> <p>x4</p>	<p>#8</p>  <p>M8</p> <p>x8</p>
<p>#9</p>  <p>M8</p> <p>x4</p>	<p>#10</p>  <p>M6x45mm</p> <p>x6</p>	<p>#11</p>  <p>M6</p> <p>x1</p>	<p>#12</p>  <p>M6 x1</p> <p>#13</p>  <p>M8 x1</p>

Assembly Instruction

PARTS LIST BOX B

A  x2	B  x6	C  x2	D  x1
E  x2	F  x1	P  x2	S  x2
Q  x2	T  x5		

PARTS LIST BOX C

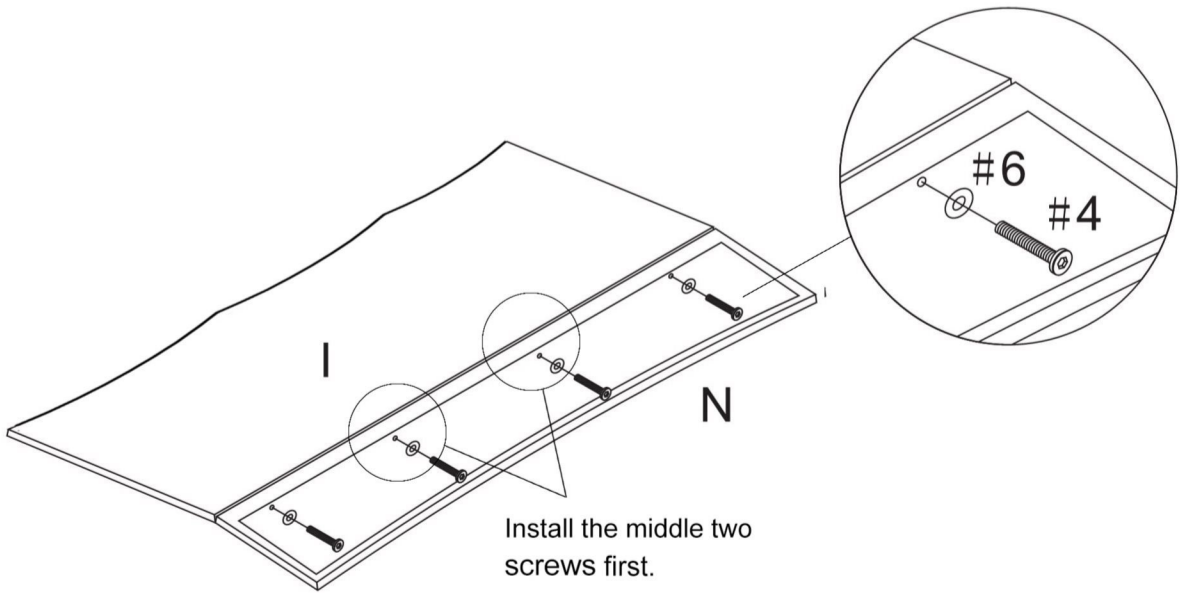
I  x1	L  x1	N  x2	Q  x3
--	---	--	---

3-Seat Chair Assembly

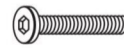
Step 1

Ix1

Nx1



#4



M6x40mm
x4

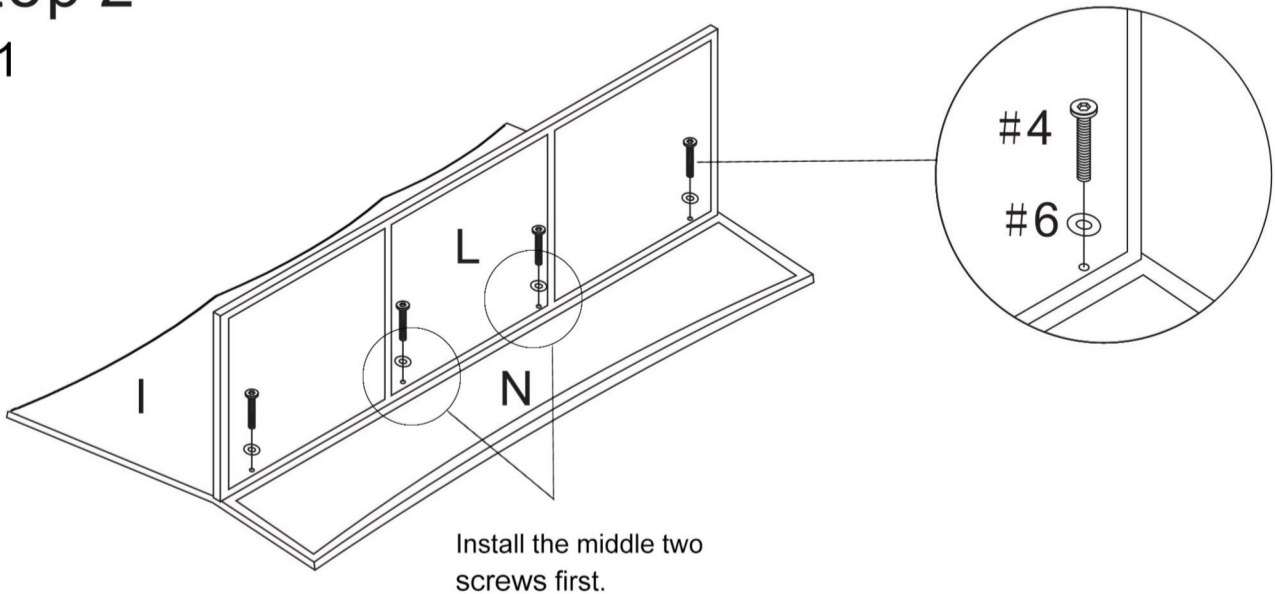
#6



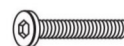
M6
x4

Step 2

Lx1



#4



M6x40mm
x4

#6



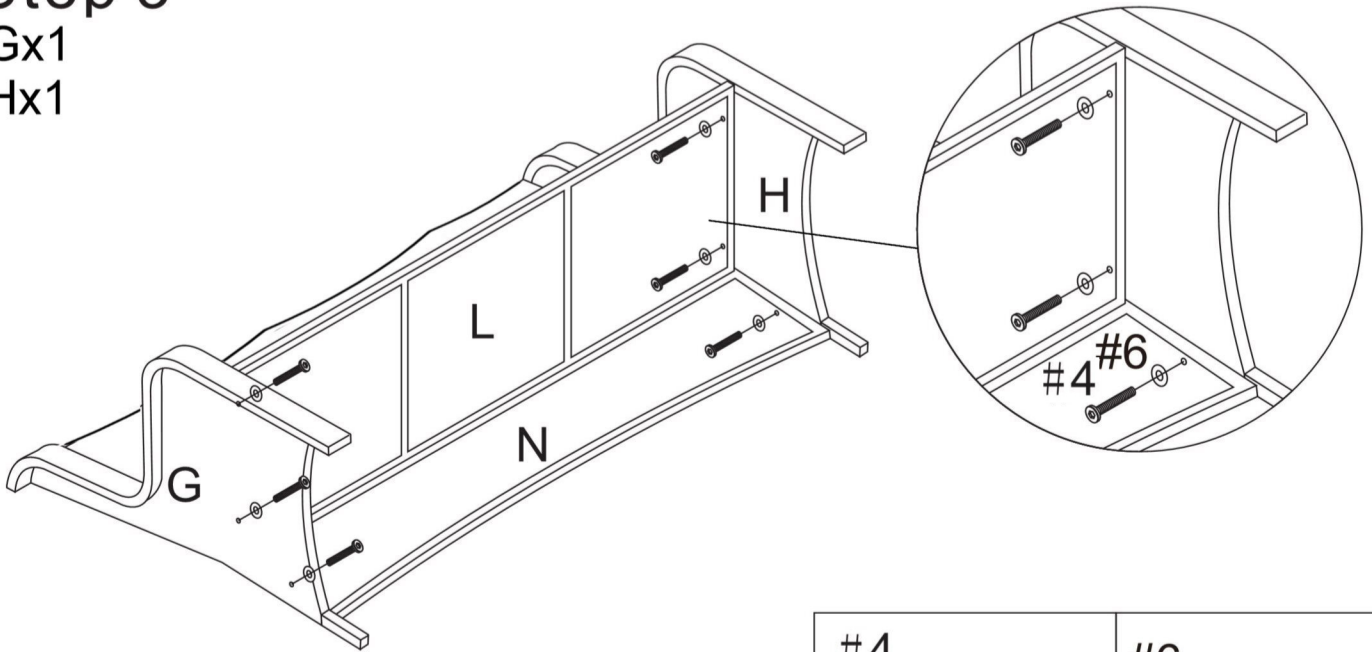
M6
x4

3-Seat Chair Assembly

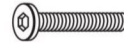
Step 3

Gx1

Hx1



#4



M6x40mm
x6

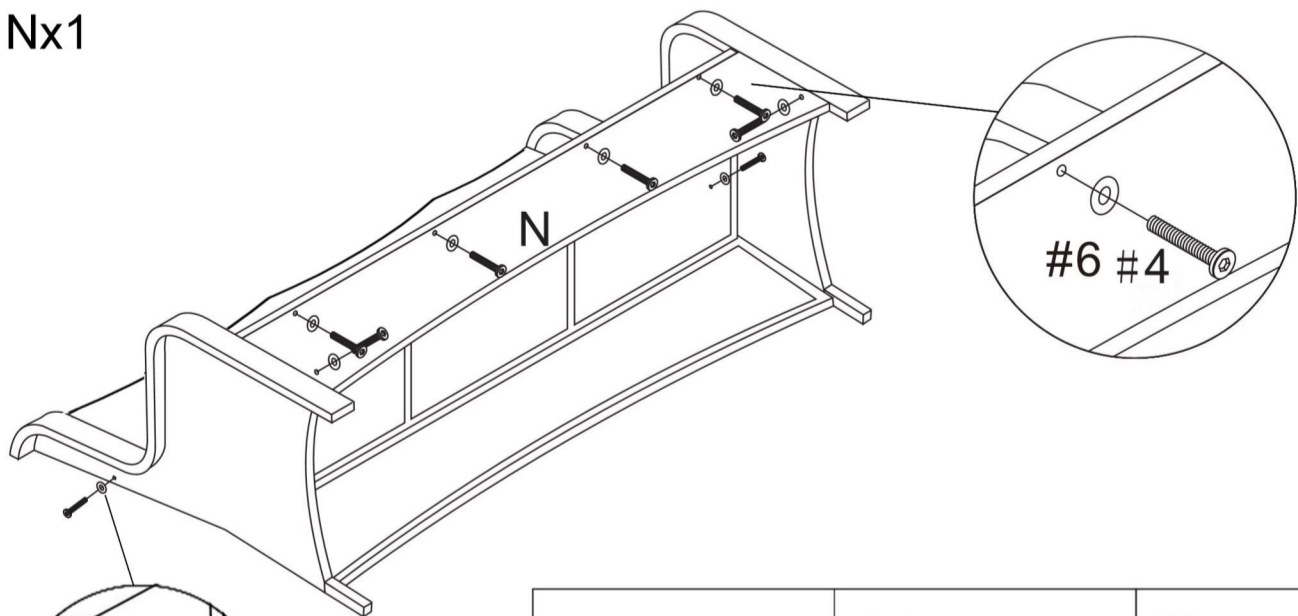
#6



M6
x6

Step 4

Nx1



#10



M6x45mm
x2

#4

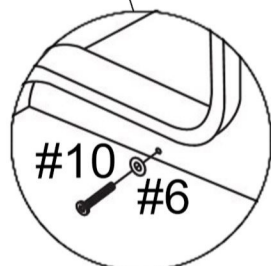


M6x40mm
x6

#6



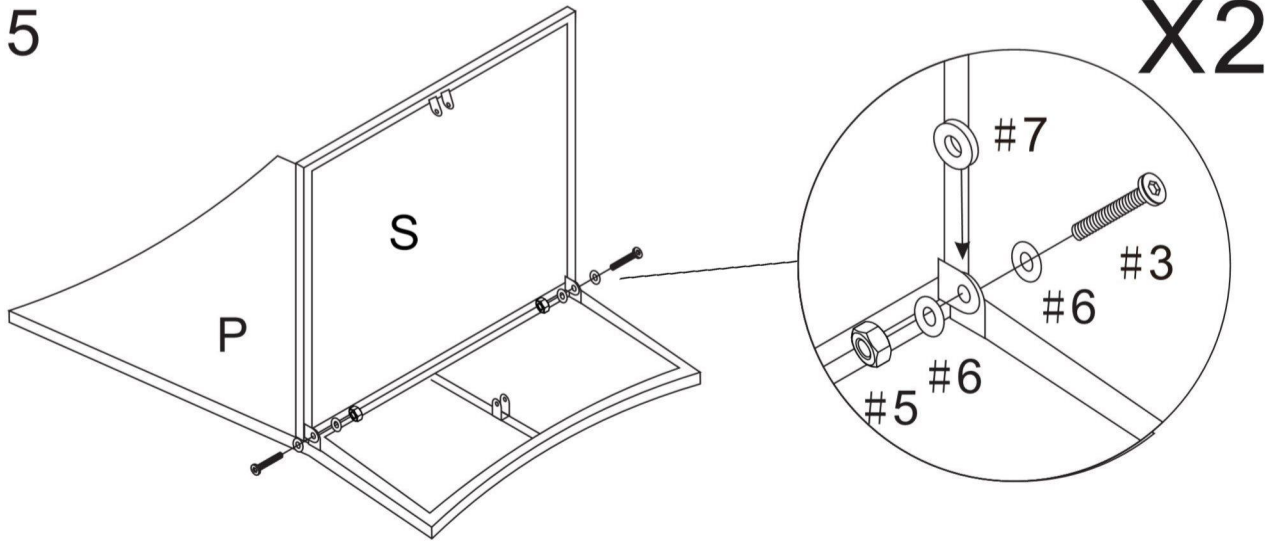
M6
x8







Single Chair Assembly

Step 5

Px1
Sx1

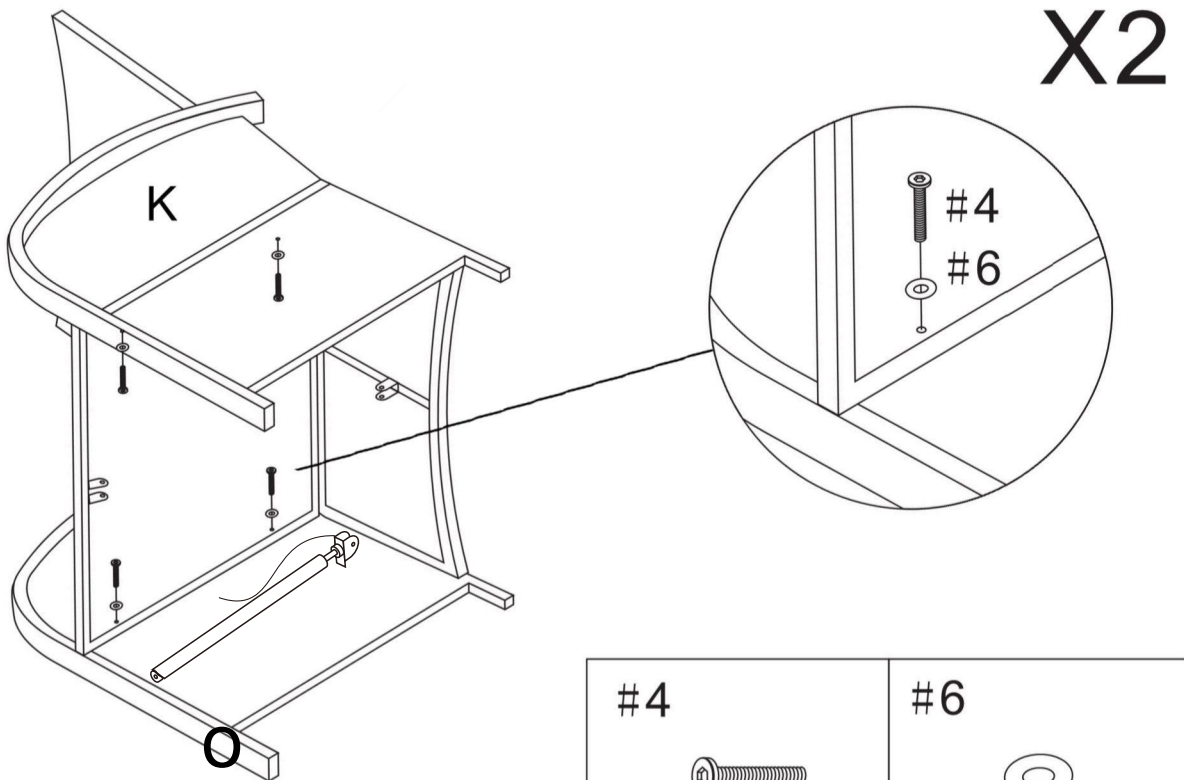


X2



<p>#3</p>  <p>M6x15mm x2</p>	<p>#6</p>  <p>M6 x4</p>	<p>#5</p>  <p>M6 x2</p>	<p>#7</p>  <p>x2</p>
--	---	---	--

Step 6

Ox1
Kx1



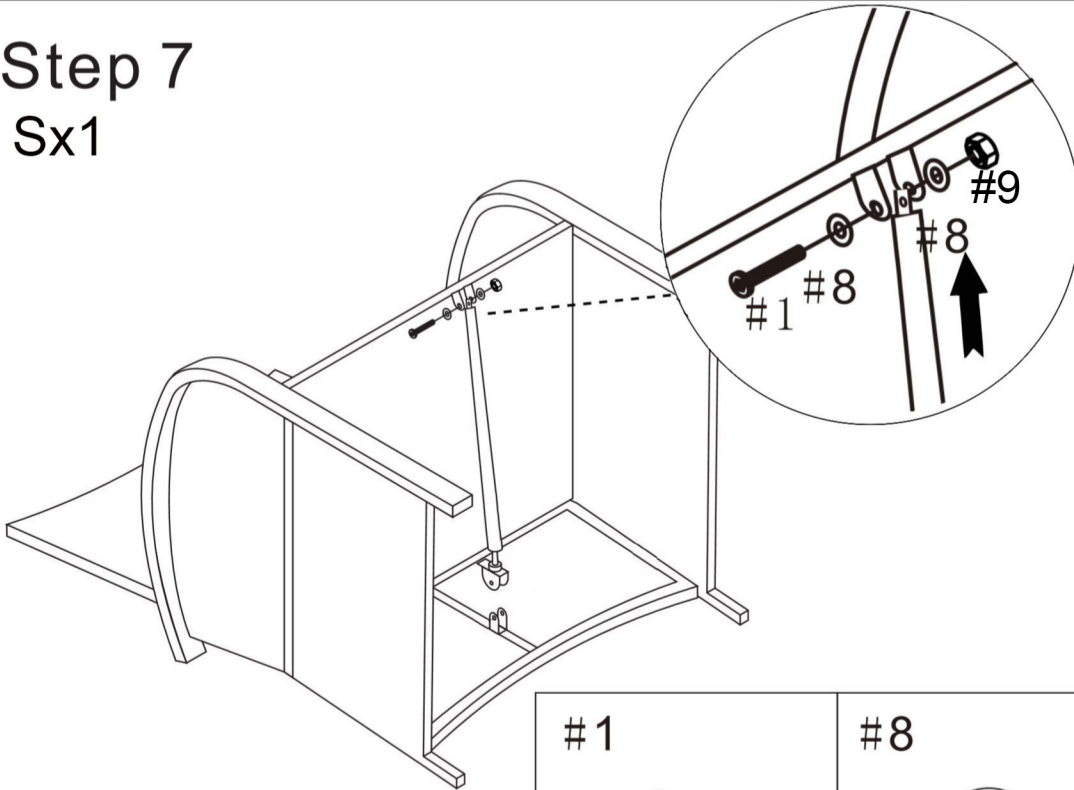
X2




<p>#4</p>  <p>M6x40mm x4</p>	<p>#6</p>  <p>M6 x4</p>
---	--

Single Chair Assembly

Step 7
Sx1

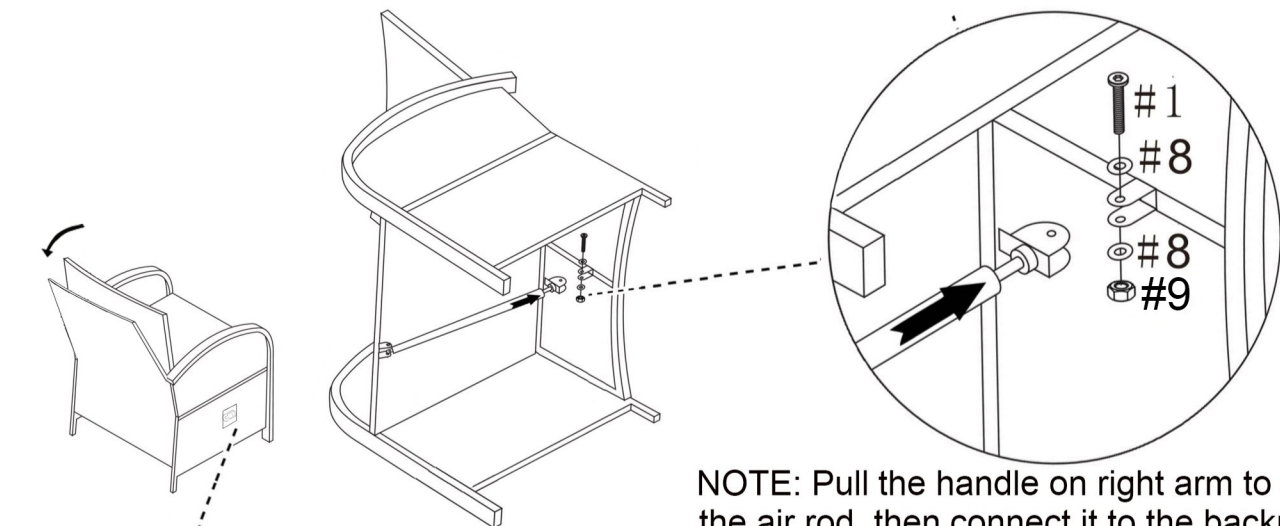
X2



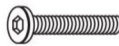


#1  M8x35mm x1	#8  M8 x2	#9  M8 x1
---	--	--

Step 8

X2



NOTE: Pull the handle on right arm to extend the air rod, then connect it to the backrest.

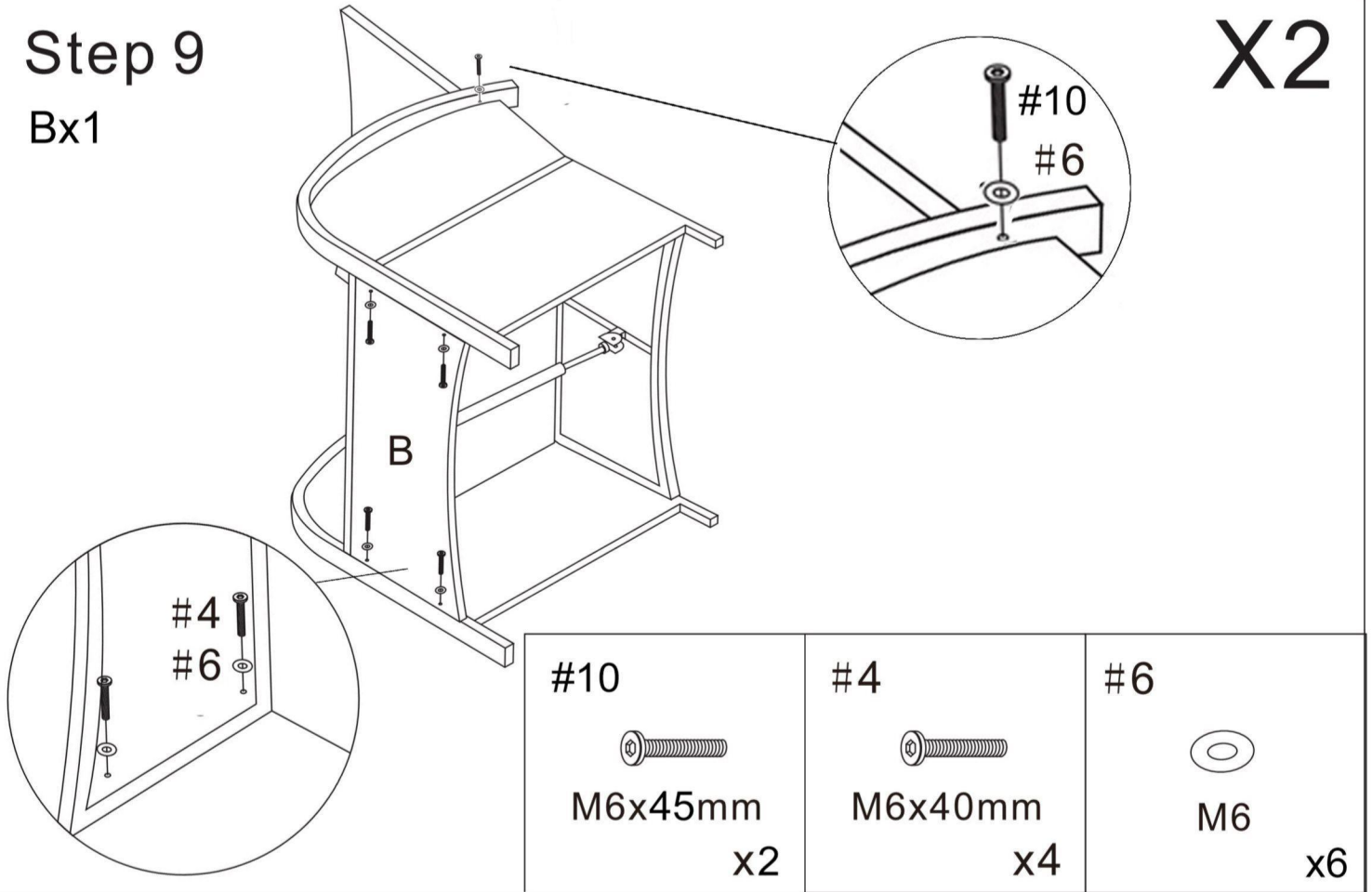
#1  M8x35mm x1	#8  M8 x2	#9  M8 x1
--	---	---

Single Chair Assembly

Step 9

Bx1

X2



Ottoman Assembly

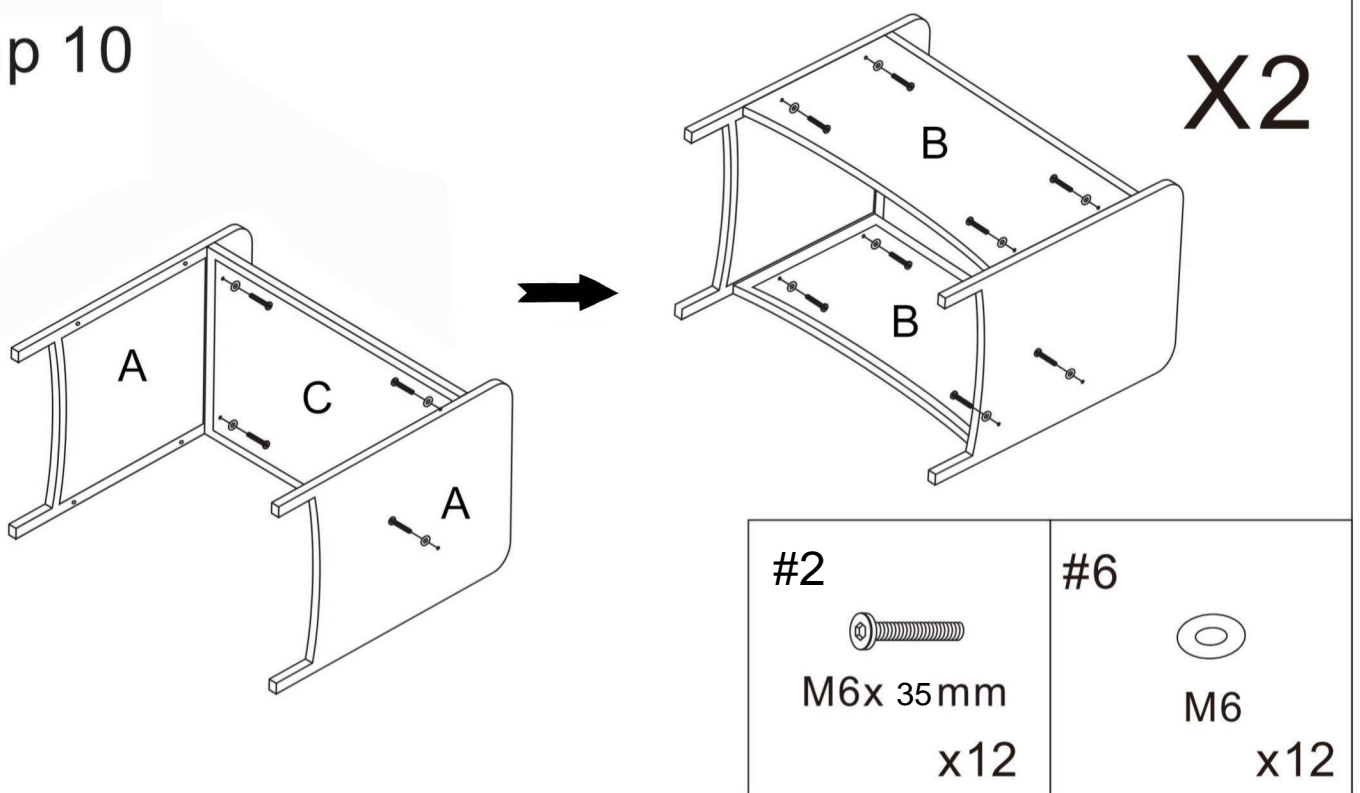
Step 10

Ax2

Bx2

Cx1

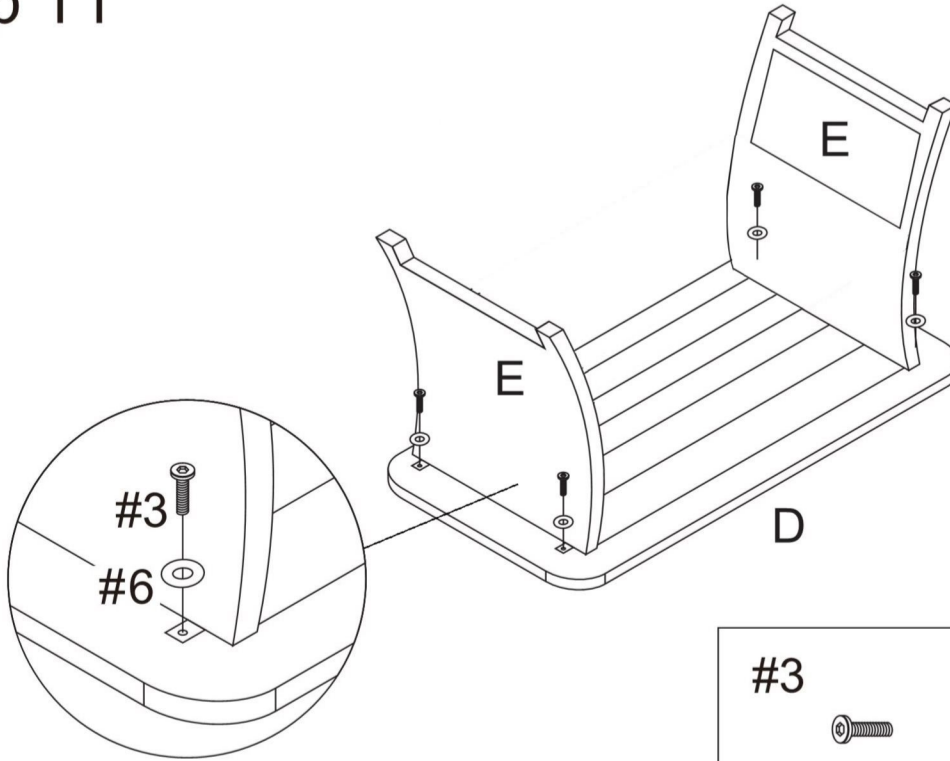
X2



Tea Table Assembly

Step 11

Dx1
Ex2



#3



M6x15mm
x4

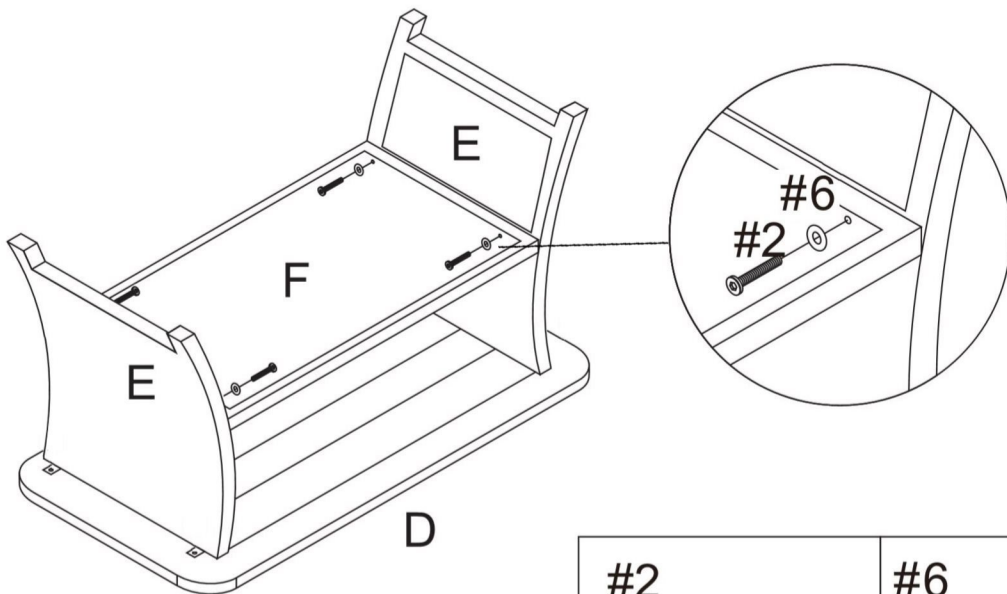
#6



M6
x4

Step 12

Fx1



#2



M6x35mm
x4

#6

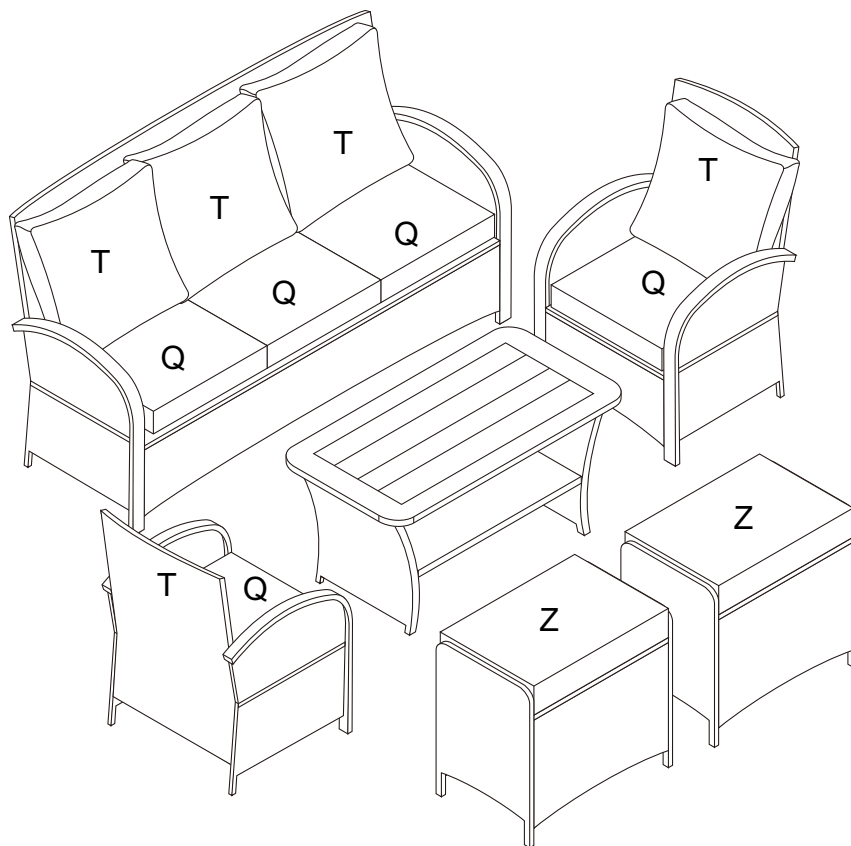


M6
x4

Assembly Instruction

Step 13

Tx5
Qx5
Zx2



Step 14

Xx1

