



COCO Chair with Aluminum Legs
COCO Chair with Faux Teak Legs
 W 18 7/8" D 19 1/4" H 31 1/2"
 SH 18 1/8"
 14.4 lbs
 Powder coated aluminum

COCO: POWDER COATING



White



Anthracite



Olive Green



Lemon

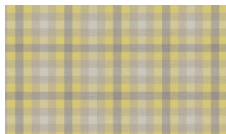


White

COCO: ALUMINUM FAUX TEAK LEGS



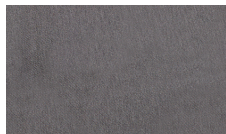
Canvas Natural



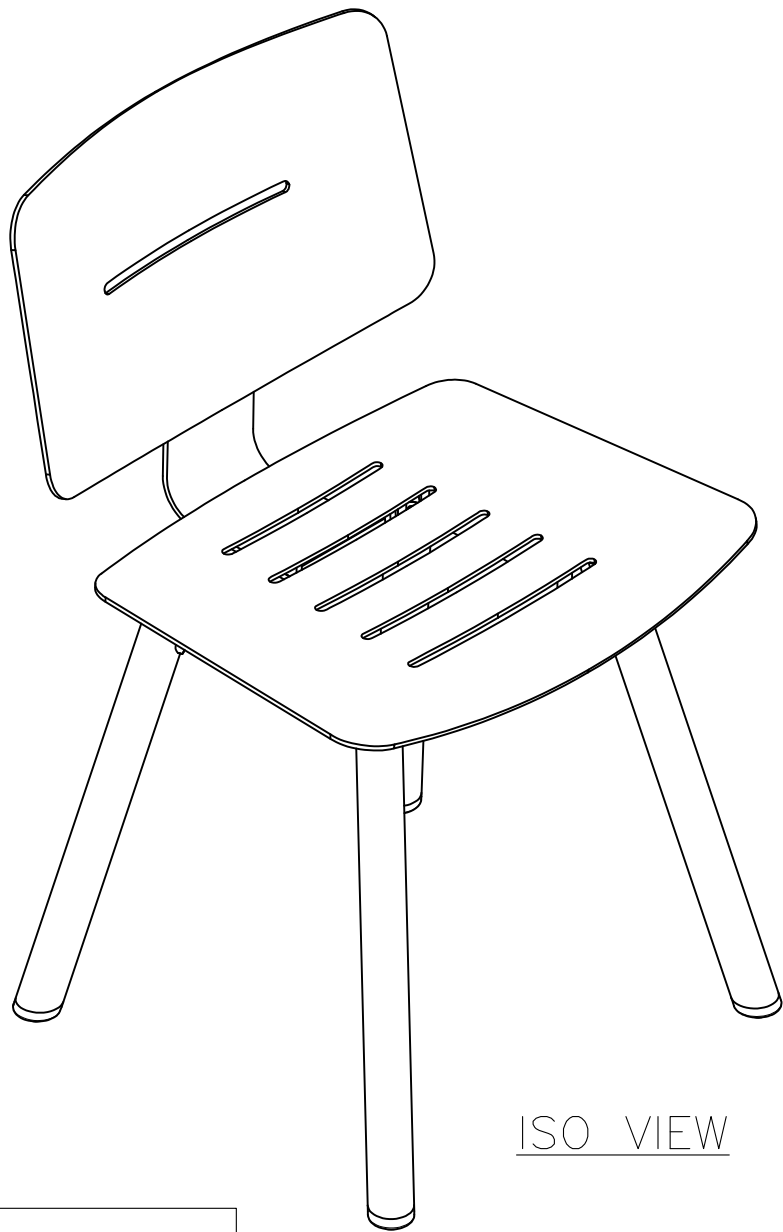
Mac Lemon



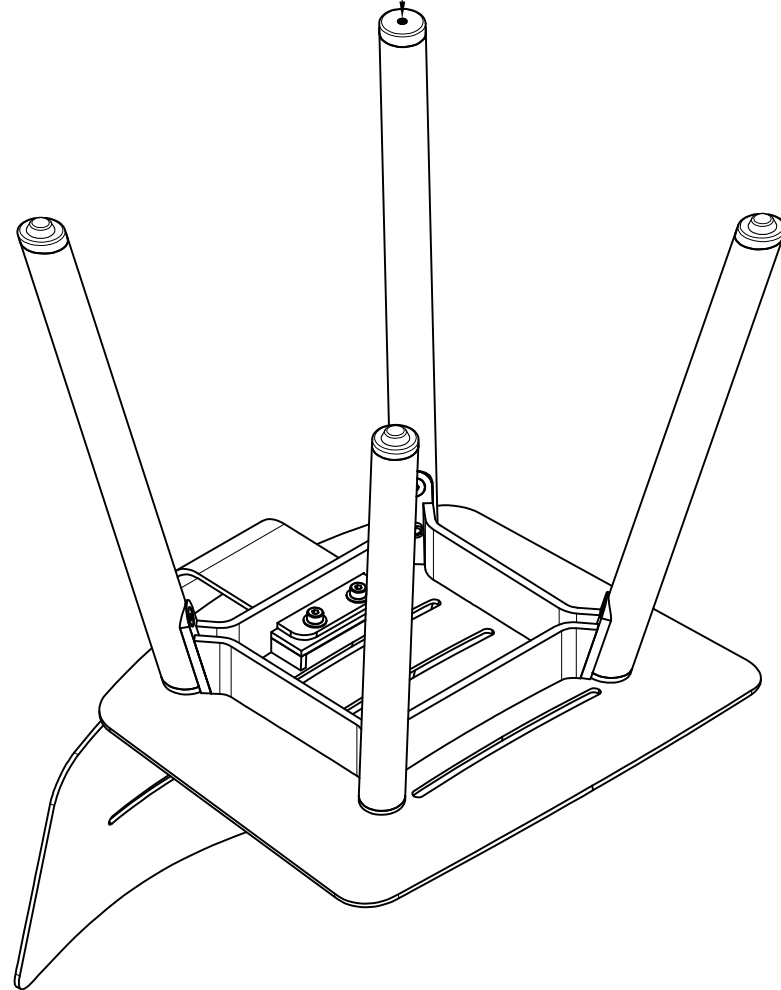
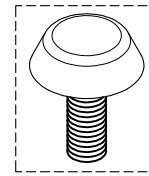
Confetti Green



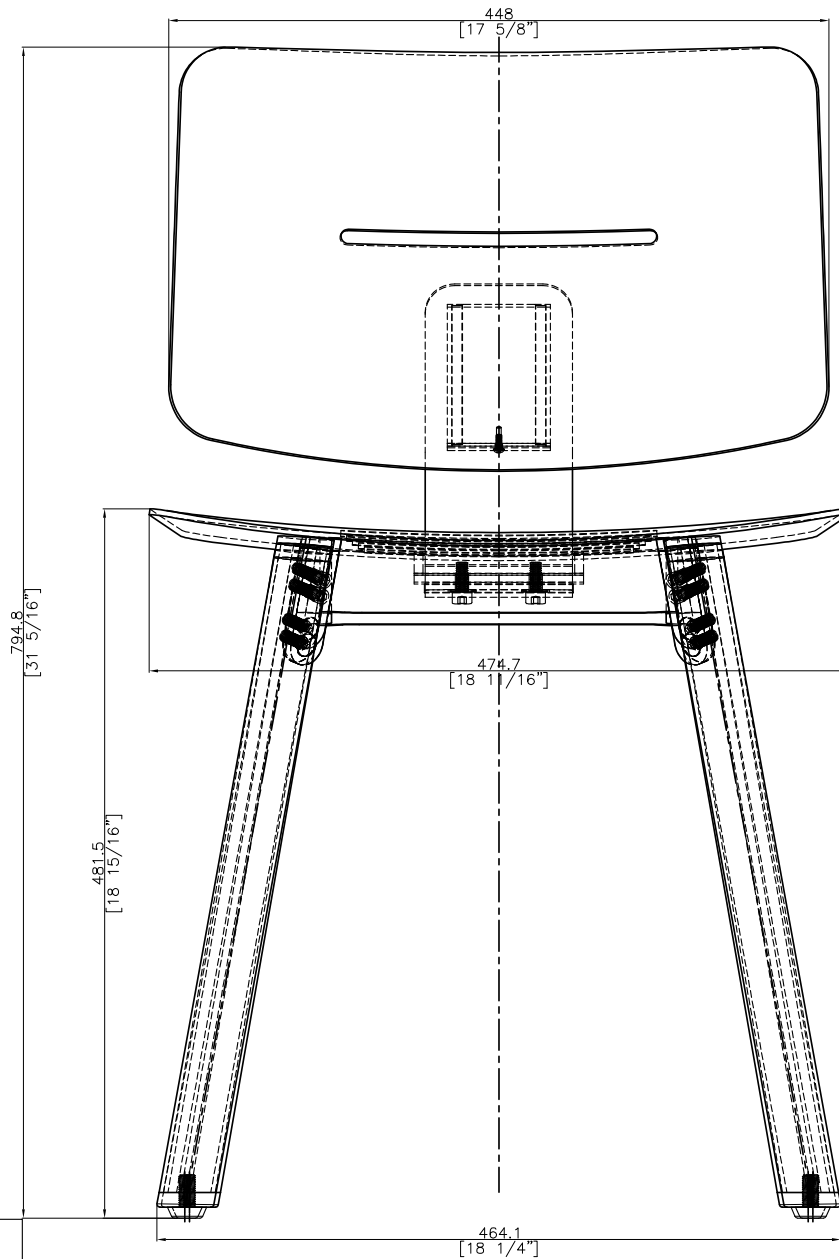
Charcoal Chine



ISO VIEW

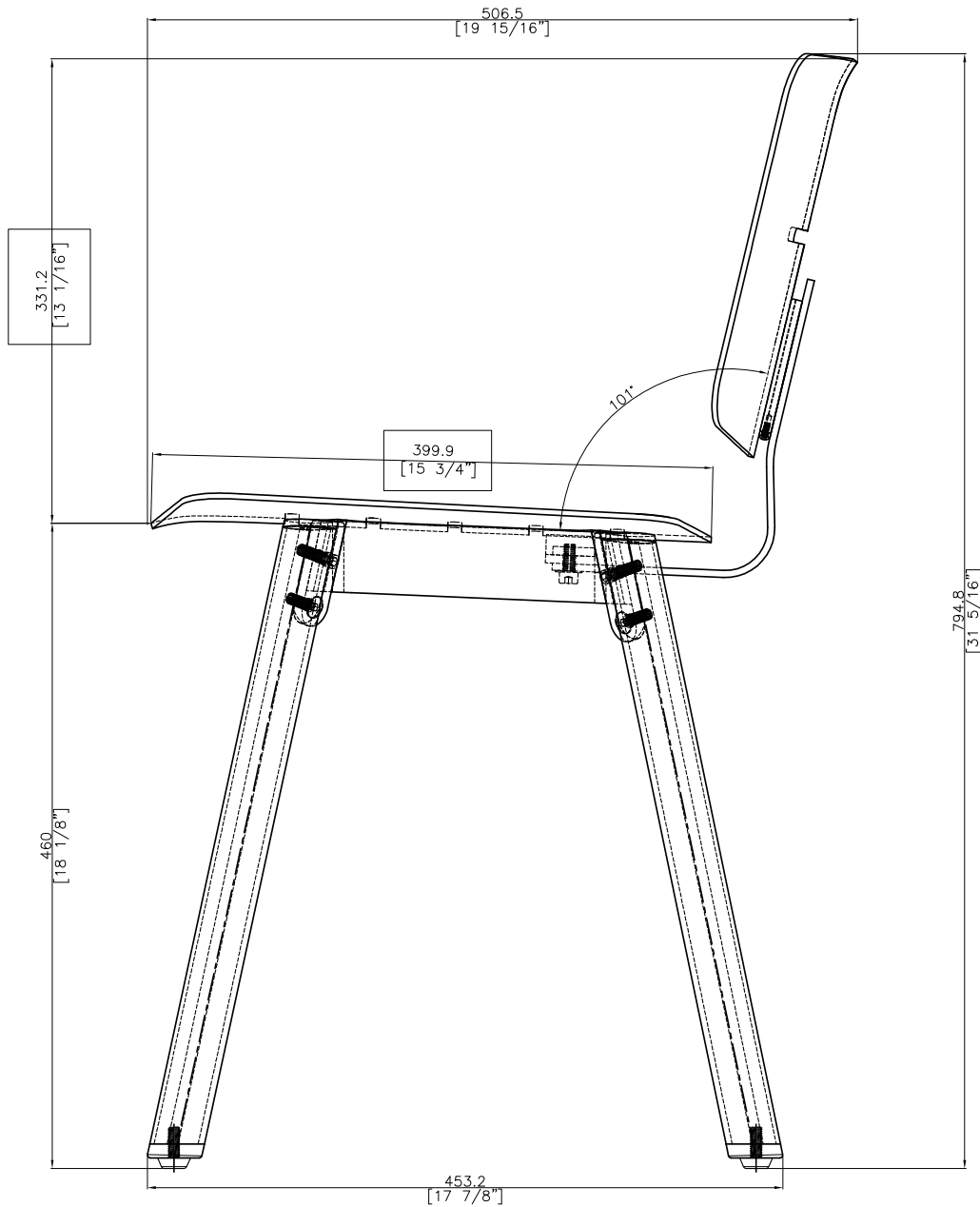


OASIQ	DWG.NO: FAE0A2-4	TITLE : ISO VIEW	DIM EXT: 474.7x506.5x787.3 MM.	MATERIAL: AL+STEEL	DRAWN BY : Mr.Khanti	FINISH DATE	ISO
						PREPARE DATE : 08-02-18 KHAN	SCALE : 1:1
						BEGIN DATE : 14-01-13 KHAN	P. 1



FRONT VIEW

OASIQ	DWG.NO: FAE0A2-4	TITLE : FRONT VIEW	DIM EXT: 474.7x506.5x787.3 MM.	MATERIAL: AL+STEEL	DRAWN BY : Mr.Khanti	FINISH DATE	EF
						PREPARE DATE : 08-02-18 KHAN	SCALE : 1:1
						BEGIN DATE : 14-01-13 KHAN	P. 3



SIDE VIEW

OASIQ

DWG.NO: FAE0A2-4

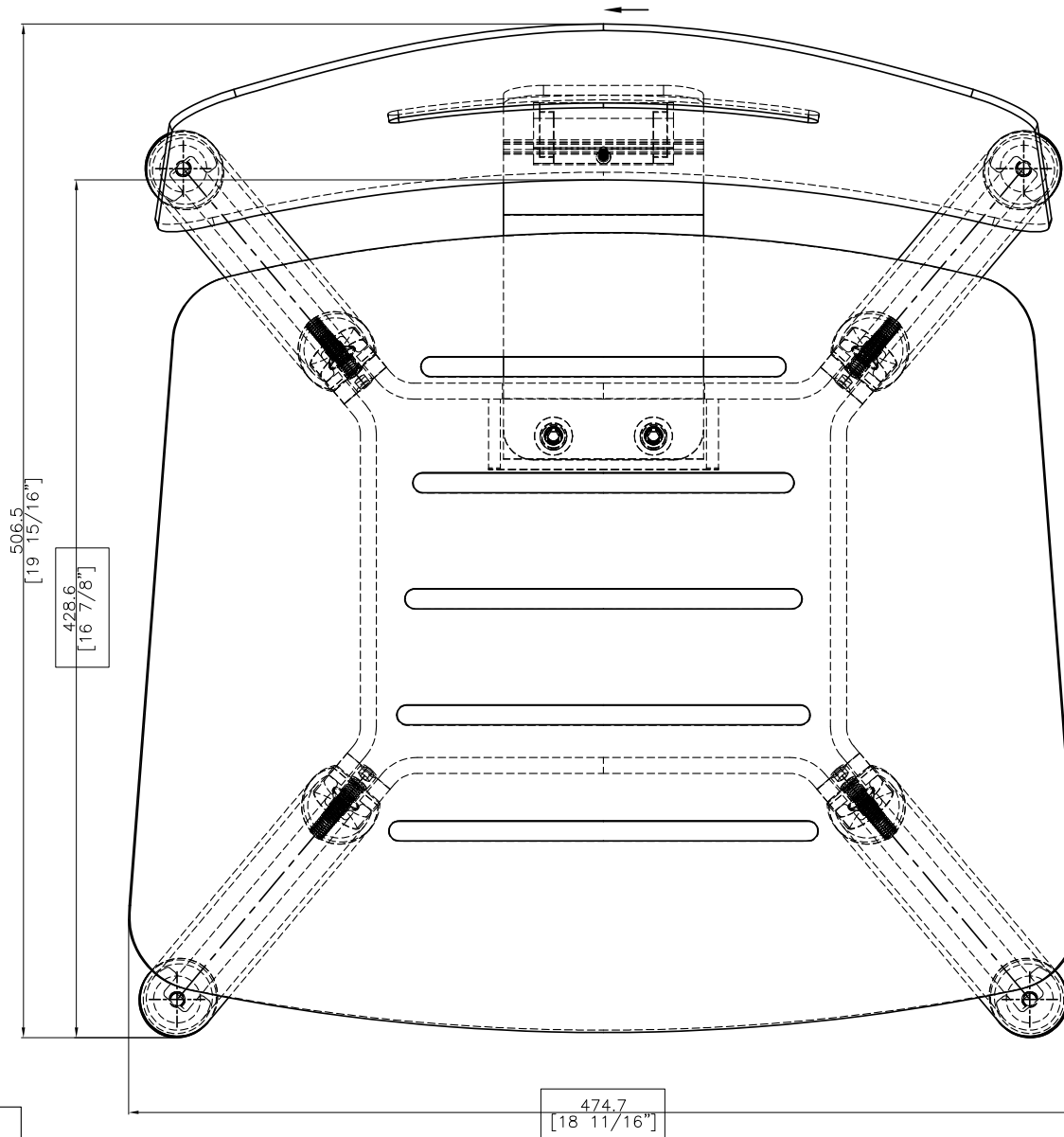
TITLE : SIDE VIEW

DIM EXT: 474.7x506.5x787.3 MM.

MATERIAL: AL+STEEL

DRAWN BY : Mr.Khanti

FINISH DATE		ES	
PREPARE DATE : 08-02-18	KHAN	SCALE : 1:1	P. 4
BEGIN DATE : 14-01-13	KHAN	⊕ ⊞	



TOP VIEW

OASIQ	DWG.NO: FAE0A2-4	TITLE : TOP VIEW	DIM EXT: 474.7x506.5x787.3 MM.	MATERIAL: AL+STEEL	DRAWN BY : Mr.Khanti	FINISH DATE		ET
						PREPARE DATE : 08-02-18	KHAN	SCALE : 1:1
						BEGIN DATE : 14-01-13	KHAN	⊕ 4