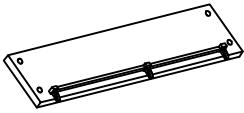
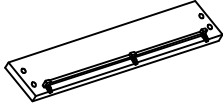
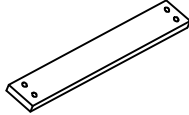
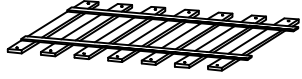






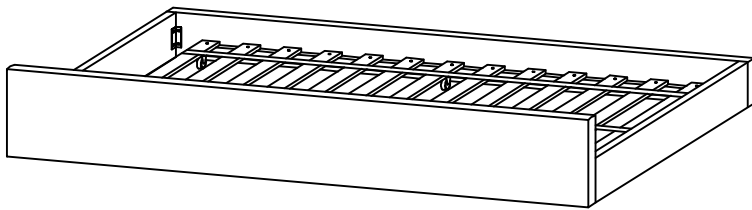


ASSEMBLY INSTRUCTION

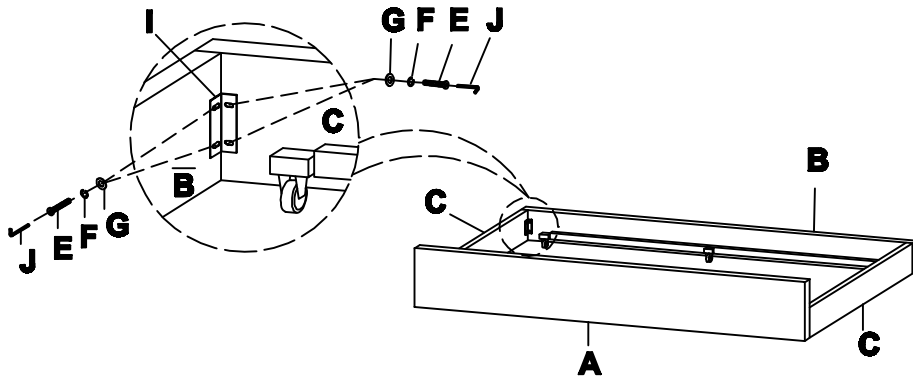
FULL/QUEEN DAYBED TRUNDLE

A TRUNDLE FRONT PANEL  1PC	B TRUNDLE BACK PANEL  1PC	C LEFT & RIGHT PANEL  2PCS	D SLATS FOR DAYBED  2PCS
E BOLT 5/16**3/4"  16PCS	F LOCK WASHER 5/16"  16PCS	G FLAT WASHER 5/16**22MM  16PCS	H SELF-TAPPING SCREW #8*1-1/4"  28PCS
I CONNECTION STRAP 130*45*3.0T MM  4PCS	J ALLEN WRENCH 5MM  1PC		

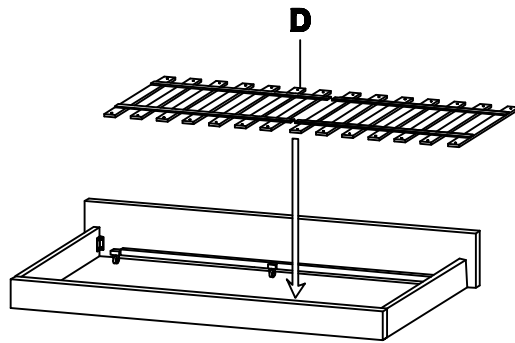


This page lists all the contents included in the box. Please take the time to identify the hardware as well as the individual components to this product. As you unpack and prepare for assembly, place the contents on a carpeted or padded area to protect them from damage.

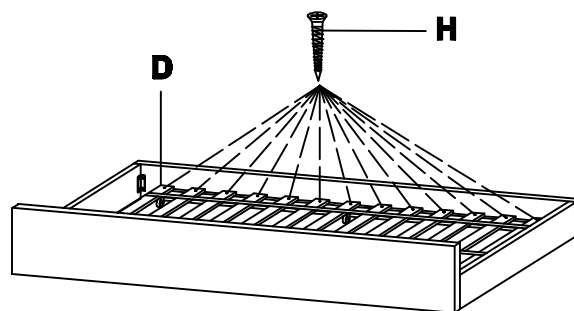
-
- 1** ATTACHED CONNECTION STRAP(I), LOCK WASHER(F), FLAT WASHER(G), BOLT(E), BY ALLEN WRENCH(J), TRUNDLE FRONT PANEL(A), TRUNDLE BACK PANEL(B), AND LEFT & RIGHT PANEL (C) .



-
- 2** ATTACHED CONNECTION SLATS FOR DAYBED(D).



-
- 3** ATTACHED SLATS FOR DAYBED(D), WITH SELF-TAPPING SCREW(H).

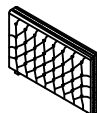
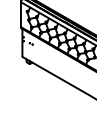
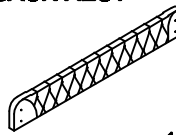
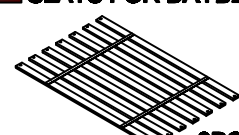
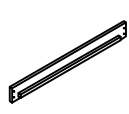
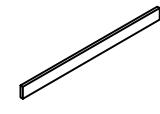









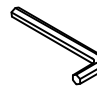





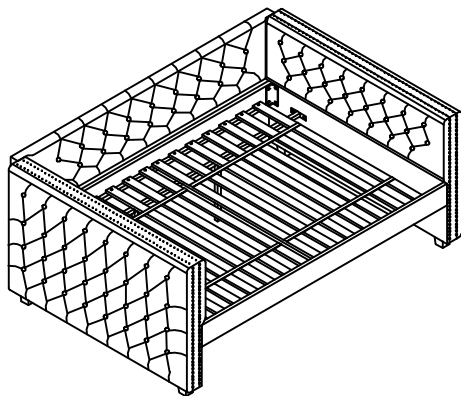
Cleaning & Care

Treat surface with care. Surface is resistant to scratches but is not scratch resistant. Clean surfaces with a dry or damp soft cloth. Do not use abrasive cleaners. Hardware may loosen over time. Periodically check that all connections are tight.

ASSEMBLY INSTRUCTION

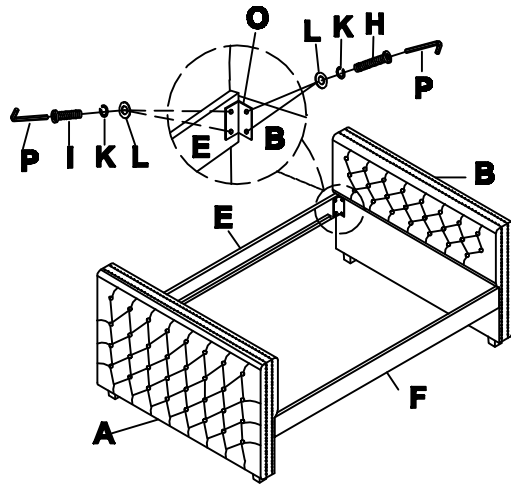
TUFTED FULL/QUEEN DAYBED SOFA

A LEFT ARM  1PC	B RIGHT ARM  1PC	C BACK REST  1PC	D SLATS FOR DAYBED  2PCS
E BACK RAIL  1PC	F FRONT RAIL  1PC	G BOLT 5/16**2-1/2"  4PCS	H BOLT 5/16**1-1/2"  8PCS
I BOLT 5/16**1"  8PCS	J BOLT 1/4**1-3/4"  6PCS	K LOCK WASHER 5/16"  20PCS	L FLAT WASHER 5/16**22MM  20PCS
M FLAT WASHER 1/4**16MM  6PCS	N SELF-TAPPING SCREW #8*1-1/4"  28PCS	O CONNECTION STRAP 90*45*3.0T MM  4PCS	P ALLEN WRENCH 5MM  1PC
Q ALLEN WRENCH 4MM  1PC	R MEDDLE DRAG STRIP 50*25*1970/2080T MM  1PC	S SUPPORTING 25*25*395T MM  2PCS	

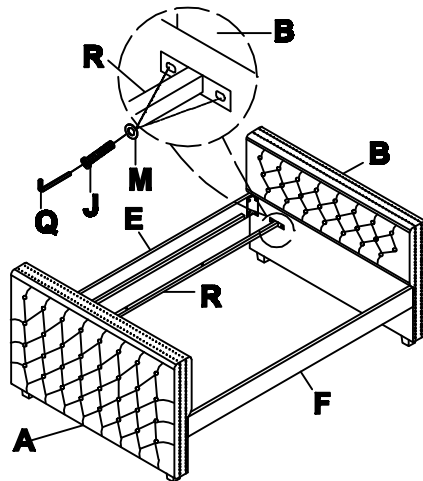


This page lists all the contents included in the box. Please take the time to identify the hardware as well as the individual components to this product. As you unpack and prepare for assembly, place the contents on a carpeted or padded area to protect them from damage.

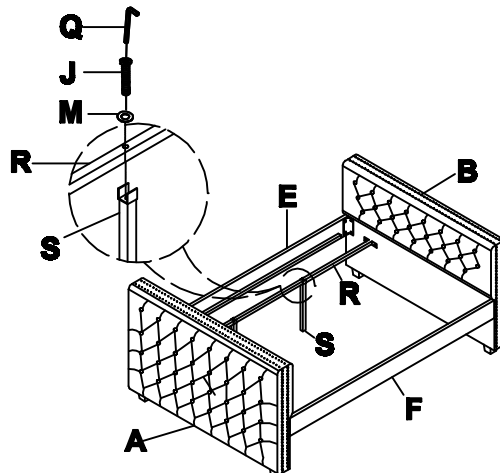
- 1** ATTACHED LEFT ARM(A), RIGHT ARM(B), BACK RAIL (E), FRONT RAIL(F), CONNECTION STRAP(O), LOCK WASHER(K), FLATWASHER(L), BOLT(I), BOLT(H) ,BY ALLEN WRENCH(P).



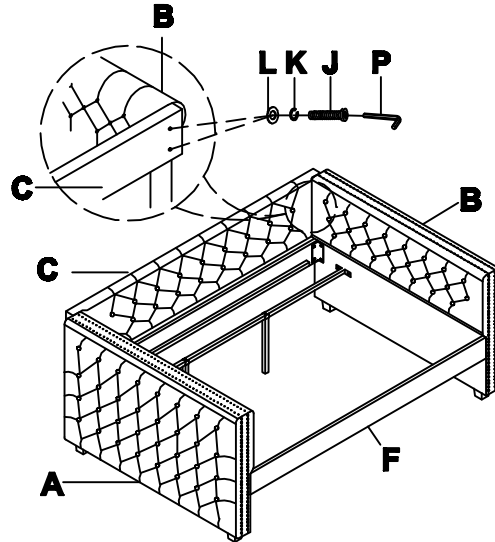
- 2** ATTACHED LEFT ARM(A), RIGHT ARM(B), MIDDLE DRAG STRIP(R), FLATWASHER(M), BOLT(J),BY ALLEN WRENCH(Q).



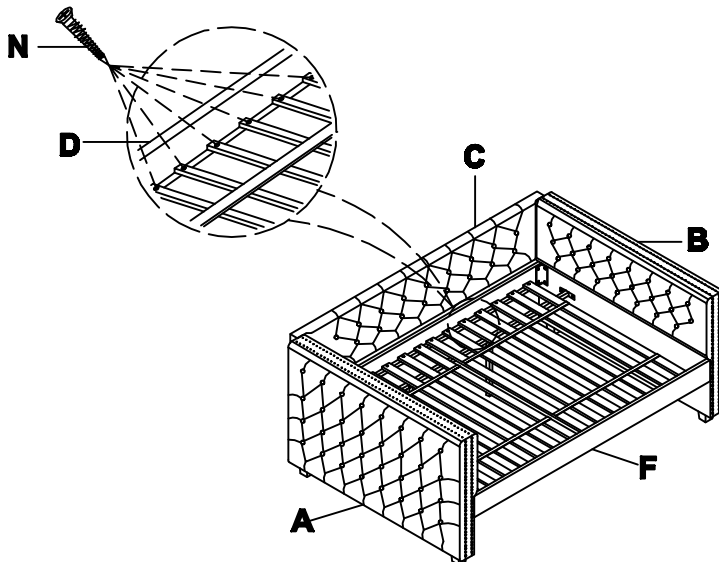
- 3** ATTACHED LEFT MIDDLE DRAG STRIP(R), SUPPORTING FOOT(S),FLAT WASHER(M),BOLT(J), BY ALLEN WRENCH(Q)



- 4** ATTACHED BACK REST(C), TO (A)&(B) WITH LOCK WASHER(K) LOCK WASHER(K), FLAT WASHER(L), BOLT(J) WITH LEFT ARM(A) & RIGHT ARM(B), BY ALLEN WRENCH(P).



- 5** ATTACHED SLATS FOR DAYBED(D), WITH SELF-TAPPING SCREW(N).



Cleaning & Care

Treat surface with care. Surface is resistant to scratches but is not scratch resistant. Clean surfaces with a dry or damp soft cloth. Do not use abrasive cleaners. Hardware may loosen over time. Periodically check that all connections are tight.