



CAUTION

This is NOT a permanent structure.

The canopy top should never be left on during periods of extended or heavy rain nor any inclement weather where high winds or wind gusts can occur.

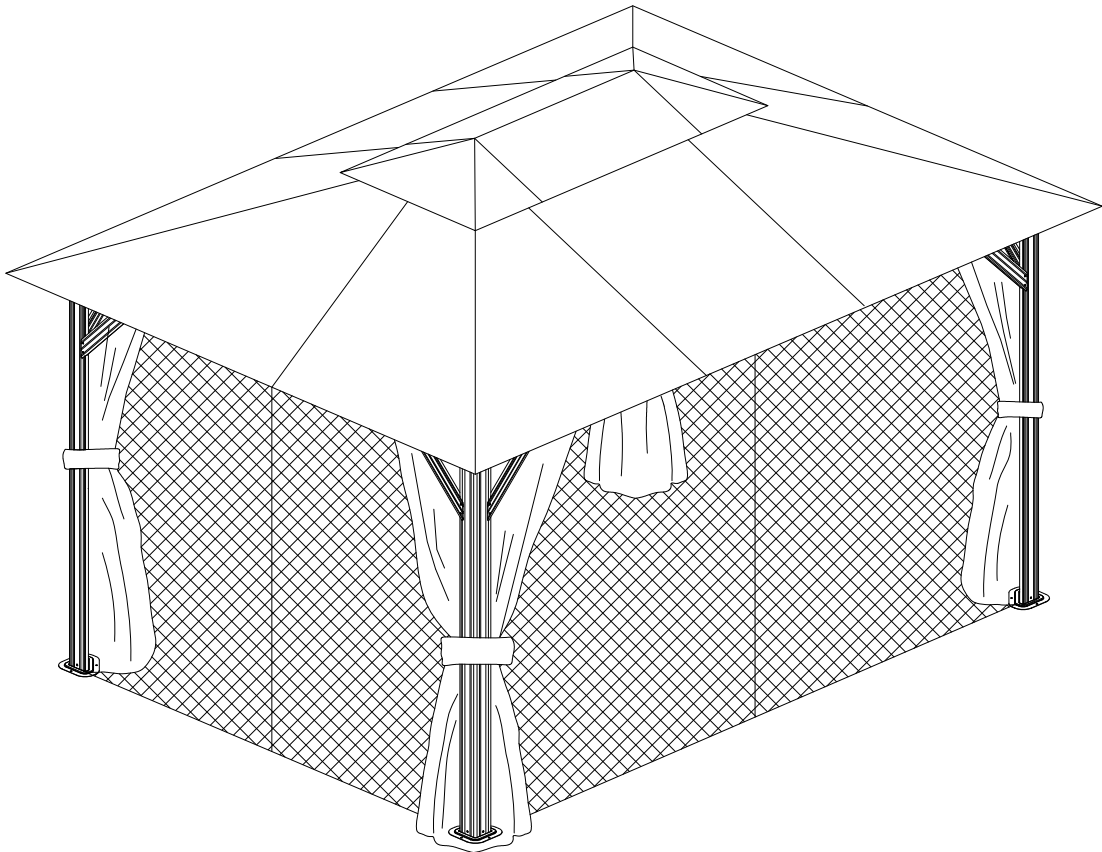
if left up, damage to the gazebo and surroundings can occur.

If you have questions or concerns.

Please contact us via email at service@domioutdoorliving.com

10'×14' Gazebo

ASSEMBLY MANUAL



MODEL#: LGCD1744

Missing part? Damaged? Contact us via email at

service@domioutdoorliving.com

www.domioutdoorliving.com

Pre-assembly



1. Two or more people are required for assembly.



2. You will need one or more stepladders.



3. Wearing protective gloves is recommended.



4. You may need a safety hat.



5. Please use a Phillips screw driver.



6. For ease of construction, you may need a drill.



7. You may need a safety goggle.



8. Do not fully tighten screws prior to complete assembly.

Warning & Attention

–Try to assemble this product on the flat ground, otherwise it is difficult to carry out;

–It would be much easier to assemble the product with three or more people;

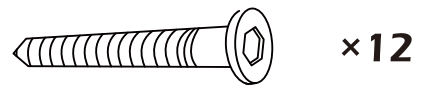
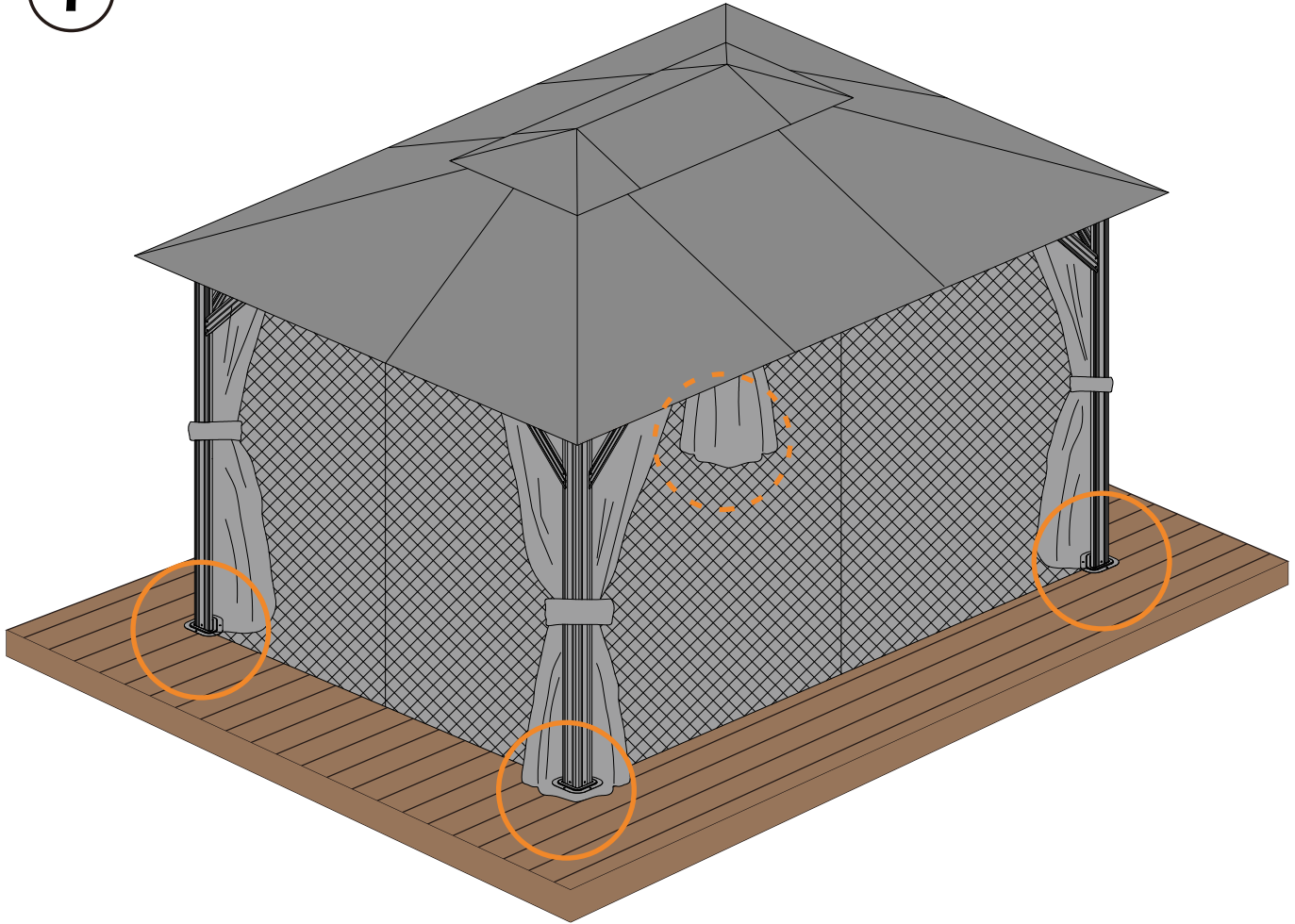
–After assembly, please check whether all screws are tightened, to prevent parts from falling apart.

▲ Use bolts to secure the frame to the ground to against the strong wind.

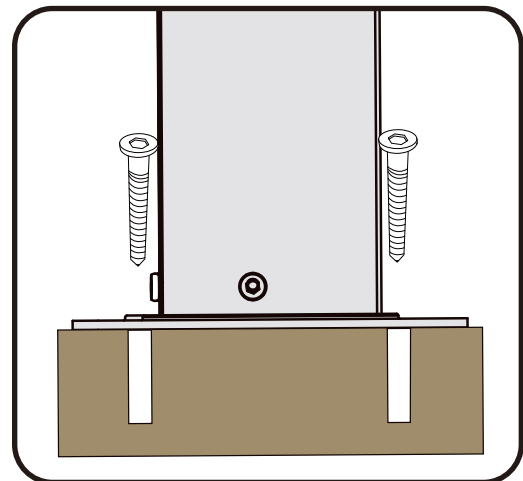
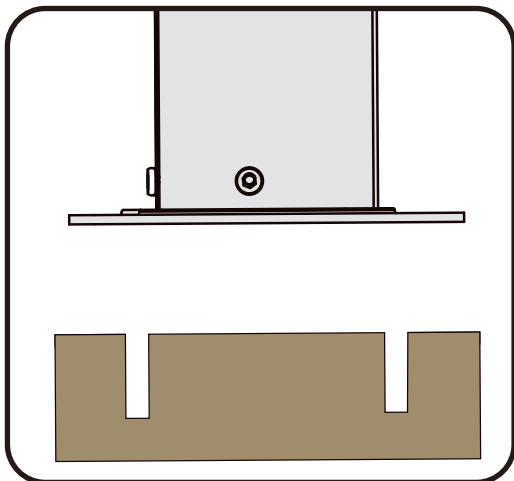
IMPORTANT

The construction of a gazebo may require a municipal permit or be subject to specific building codes. It is the responsibility of the consumer to check and ensure compliance with any local regulations or restrictions before proceeding with assembly.

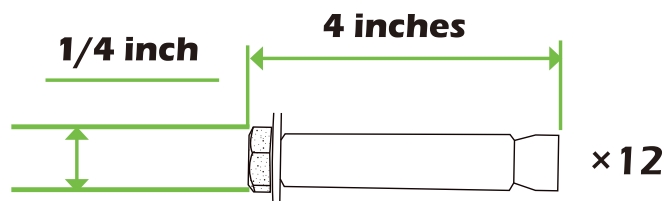
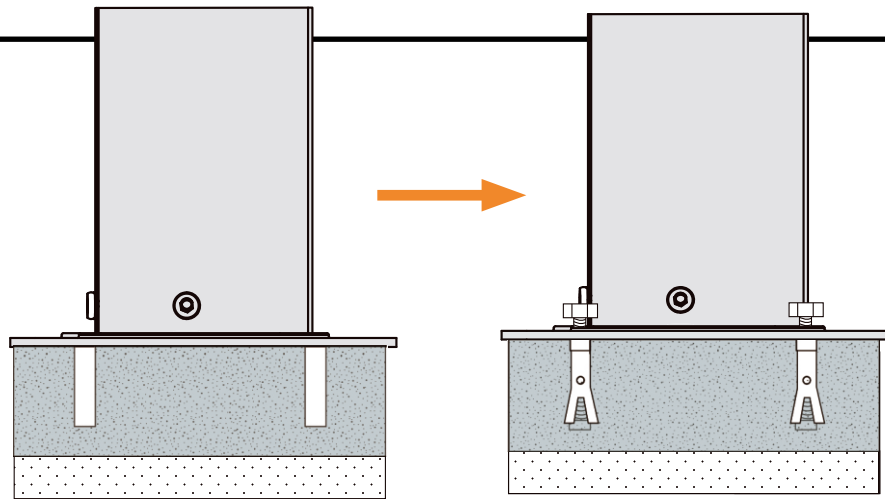
1



If the deck is hard wood and the depth of it is over 3 inch, you can use **5/16 in. x4 in. Structural Wood Screw** to mount the gazebo.

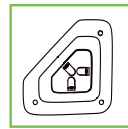
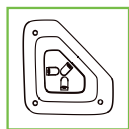
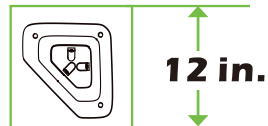


2



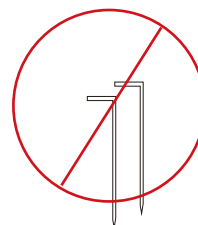
If the ground is concreted and the depth of it is over 3 inch, you can use 1/4 inch expansion bolts to mount the gazebo

3



Or you can make a concrete footing for gazebo, **12 x 12 x 12 inches** is recommended. use expansion bolts to mount the pergola like (2) shows.

IMPORTANT:
Anchor is not recommended

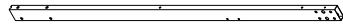




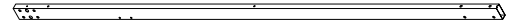
A 4x Pole



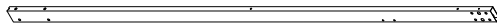
C 2x Beam



C1 2x Beam



D 2x Beam



D1 2x Beam



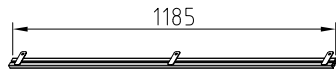
Corner
Solidifying Bar

E 4x

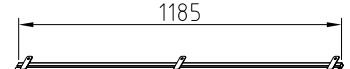


Corner
Solidifying Bar

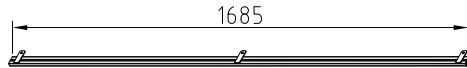
E1 4x



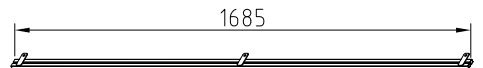
F 2x Track



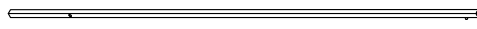
F1 2x Track



F2 2x Track



F3 2x Track



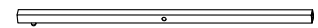
G 2x Middle Roof Tube



G1 4x Middle Roof Tube



H 4x Corner Roof Tube



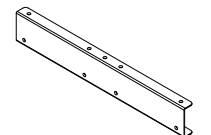
H1 4x Corner Roof Tube



J 1x Roof Support Tube



B 4x Base



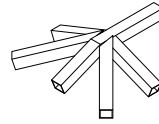
M 4x Joint
Cover



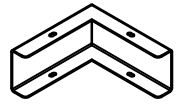
N 4x Bracket



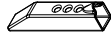
N1 6x Bracket



K 2x Roof Hub



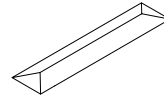
P 4x Corner Cover



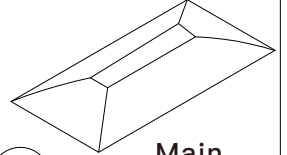
R 4x Canopy Adjustment Kit



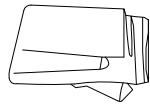
T 112x Plastic Hooks



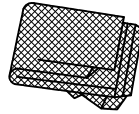
U 1x Vent Cover



U1 1x Main Canopy



Y 4x Curtain



Y1 4x Mosquito Netting



Z 8x Stake



1 1x Wrench S4



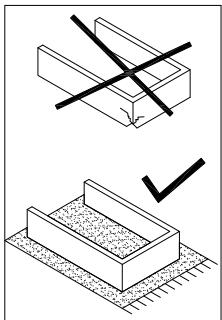
2 134x M6x16



3 10x M6x35



4 16x ST5x16



2



A 4x



B 4x



N 4x

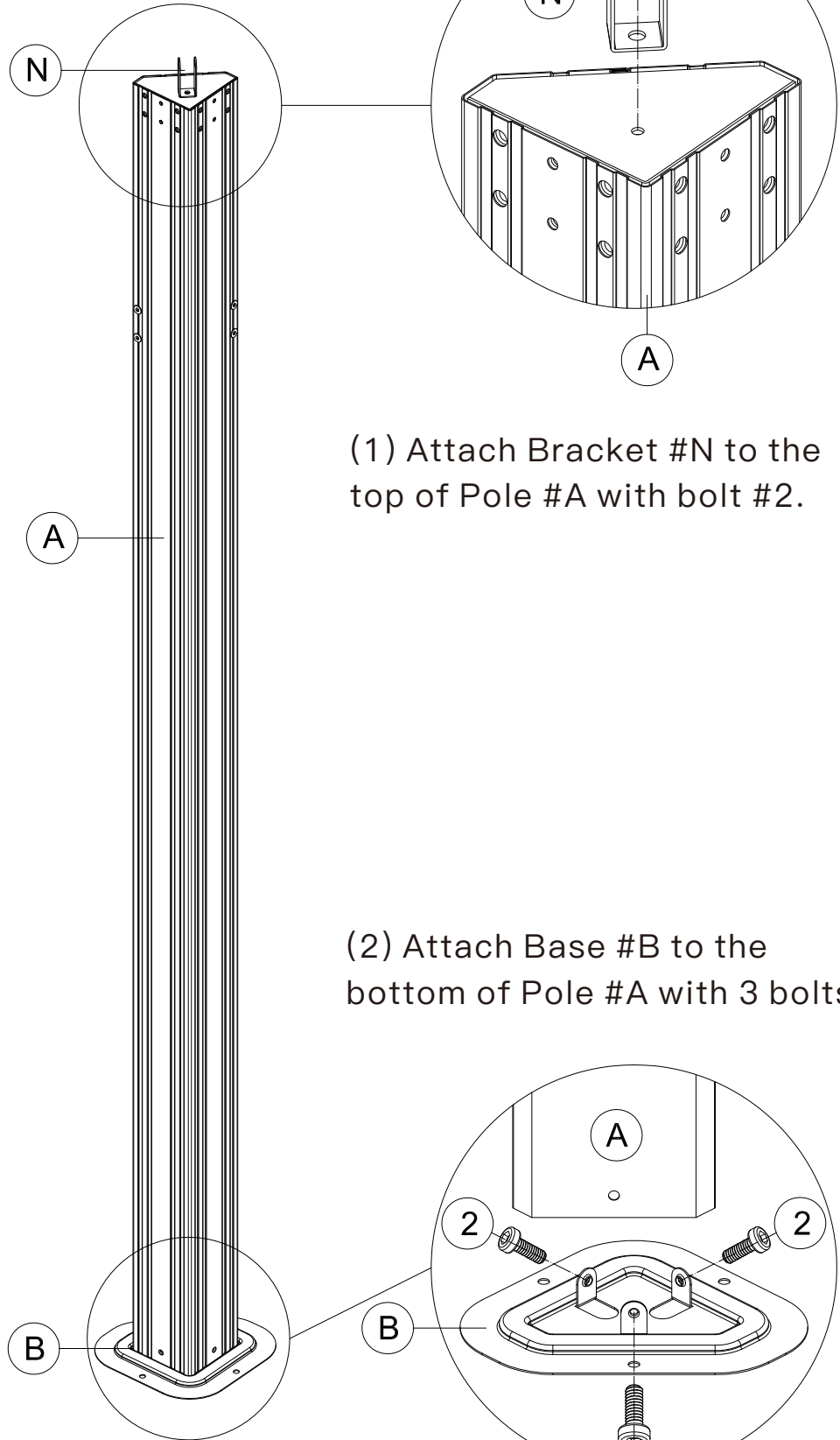


1 1x



M6x16

2 16x



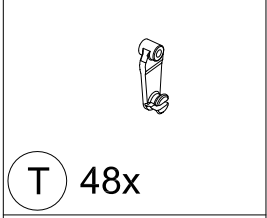
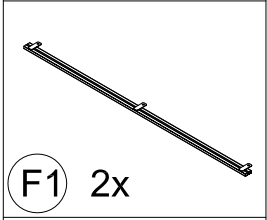
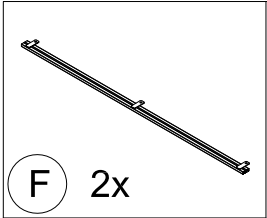
(1) Attach Bracket #N to the top of Pole #A with bolt #2.

(2) Attach Base #B to the bottom of Pole #A with 3 bolts #2.

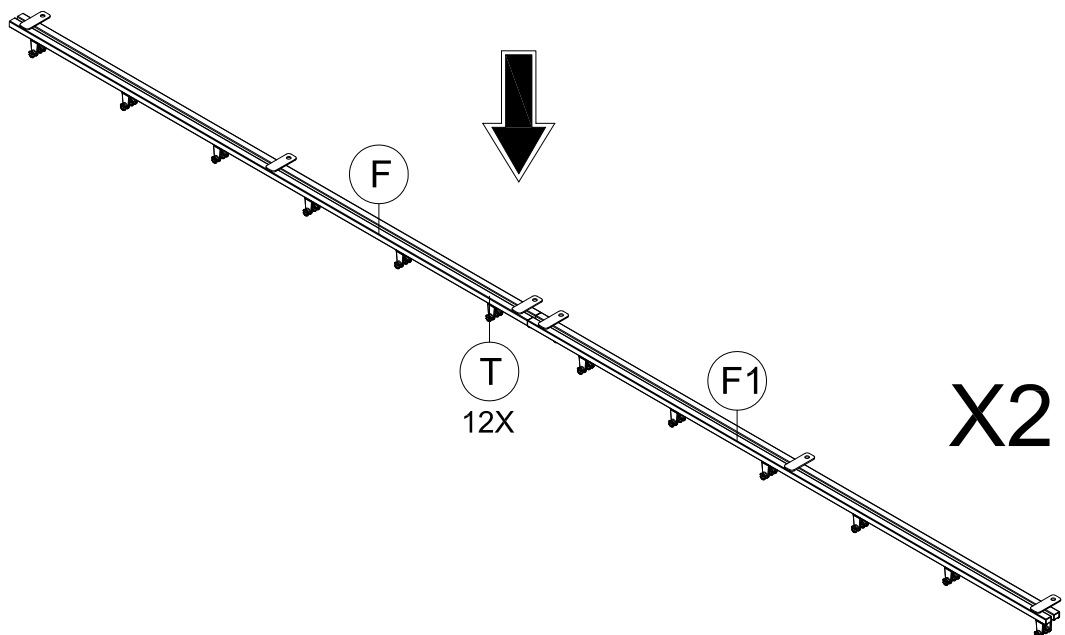
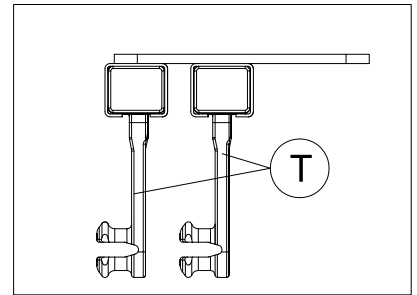
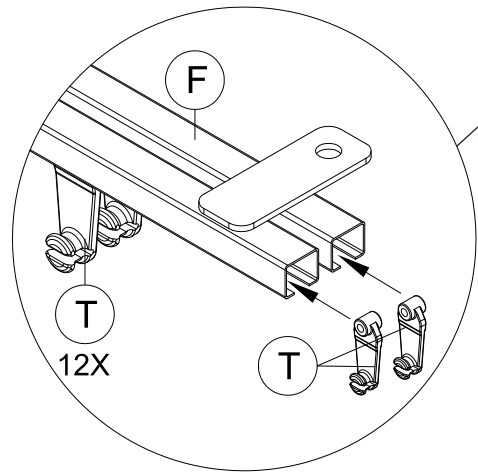
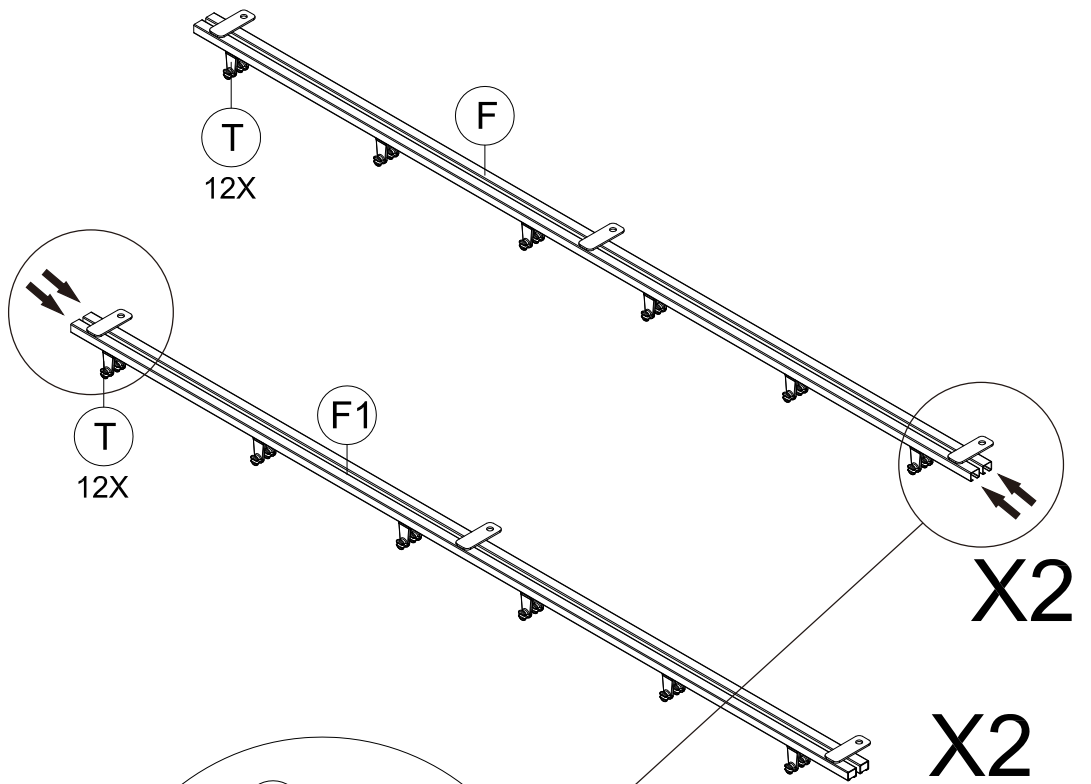
X4

3

(3) Repeat the above procedures for the other three Pole #A.

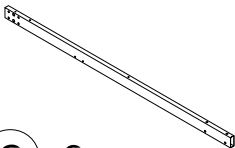
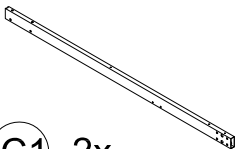
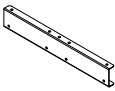

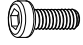


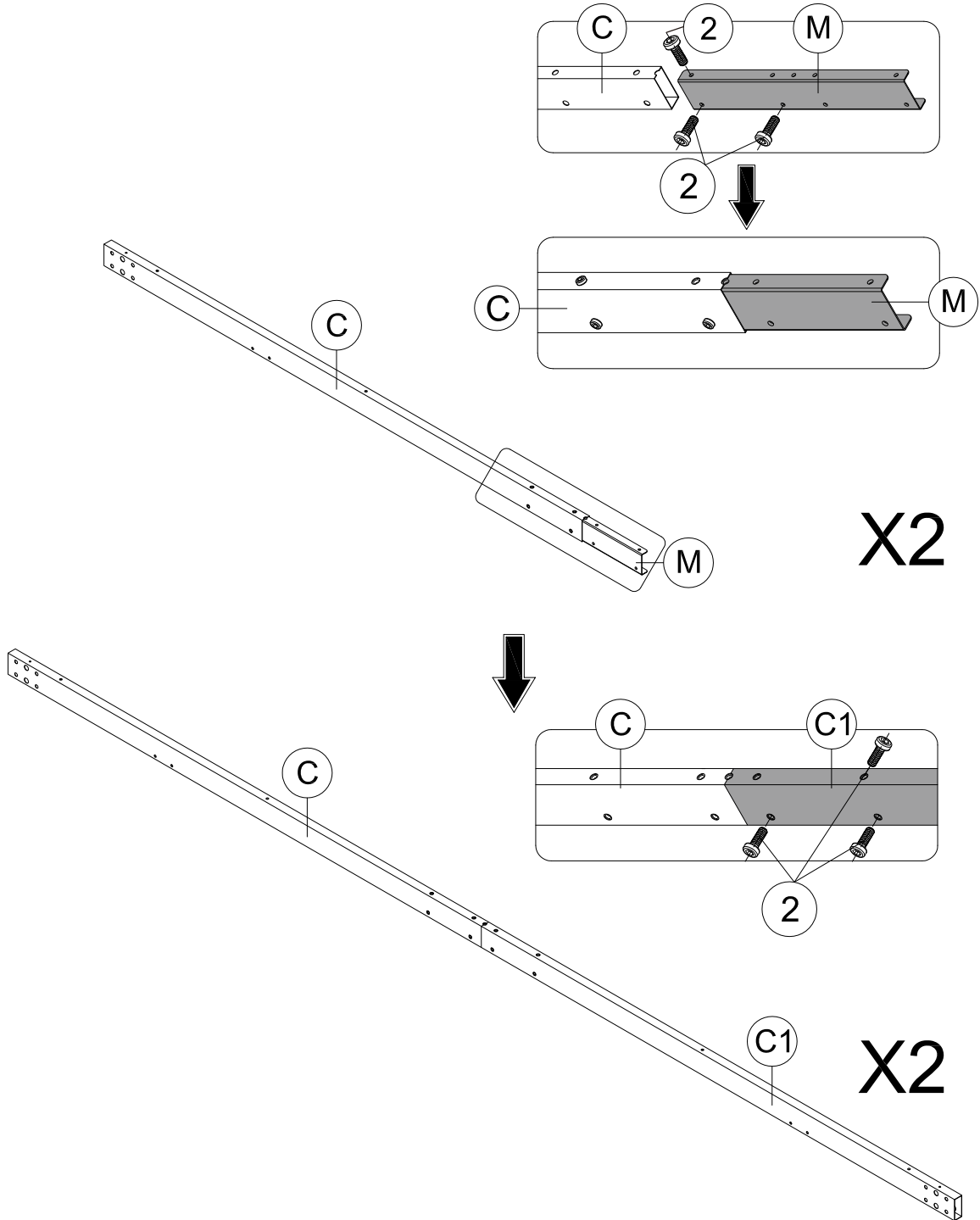
(1) Slide the plastic hooks to the double-rail track #F & F1 (each slot should slide 6 plastic hooks).



4

(2) Repeat the above procedures for another track #F & F1.

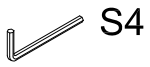
-  **C** 2x
-  **C1** 2x
-  **M** 2x
-  **S4**
- 1** 1x
-  **M6x16**
- 2** 12x



- (1) Insert Part #M into part #C, and secure with 3 bolts #2.
- (2) Insert the other side of part #M into part #C1 and secure with 3 bolts #2.
- (3) Repeat the above procedures for another beam #C & C1.**



N1 2x

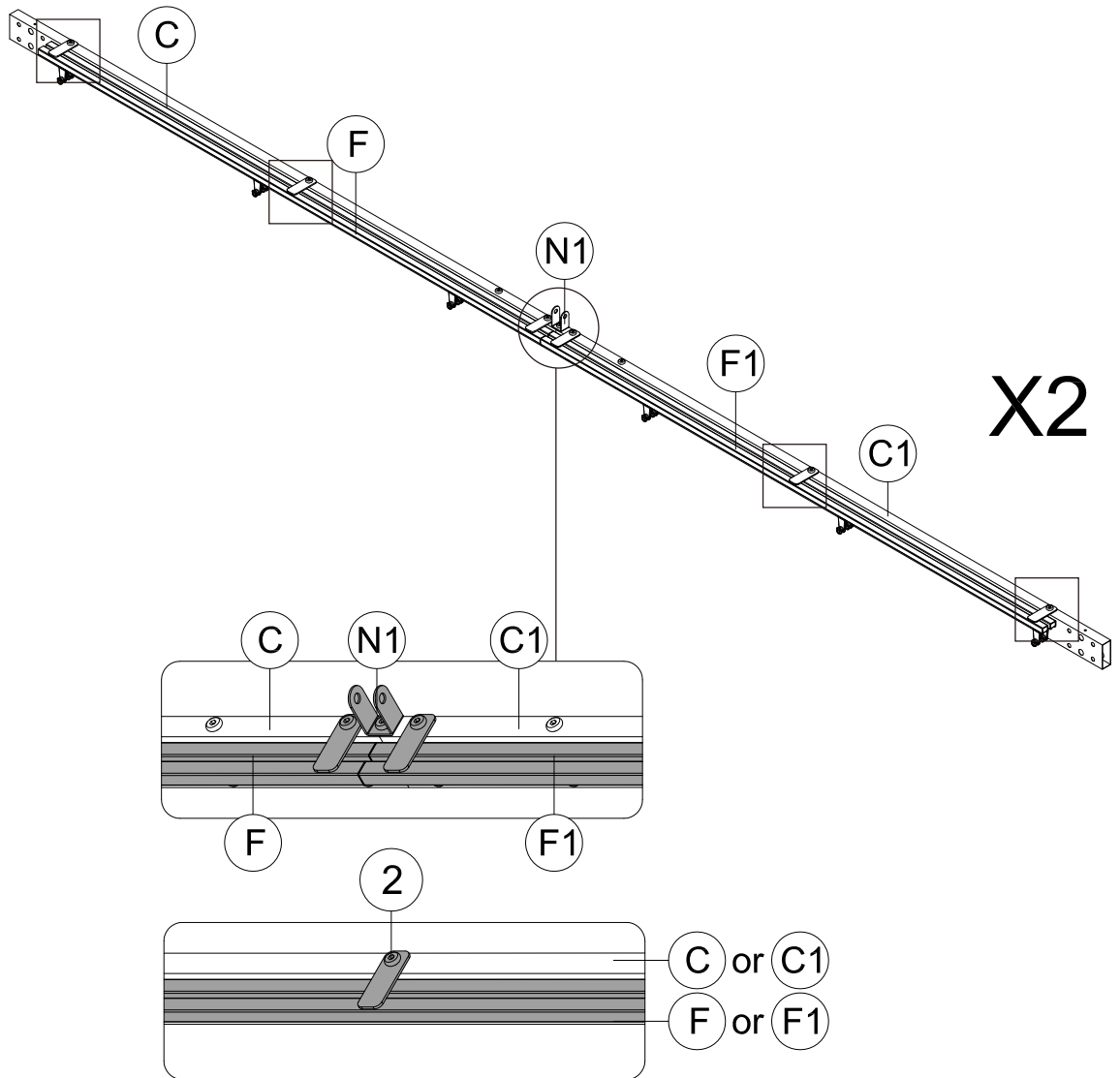


1 1x

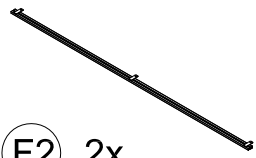


M6x16

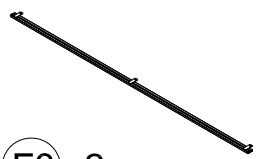
2 14x



- (1) Use 6 bolts #2 to secure track #F & F1 to the beam #C & C1.
- (2) Attach Bracket #N1 to the joint of #C & C1 with bolt #2.
- (3) Repeat the above procedures for another beam #C & C1.**



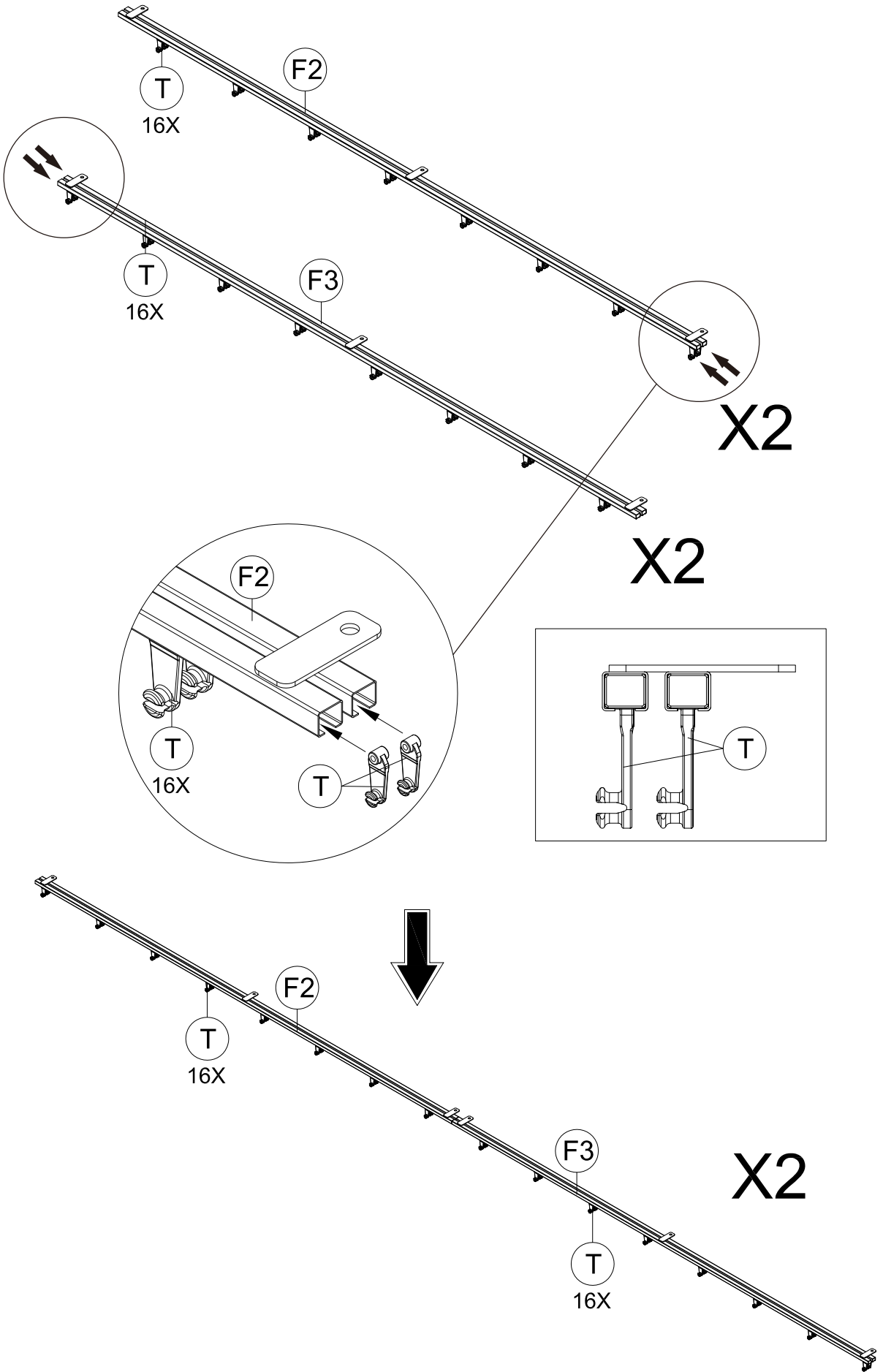
F2 2x



F3 2x

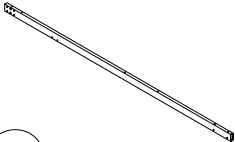
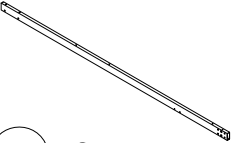
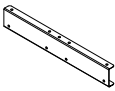

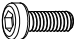


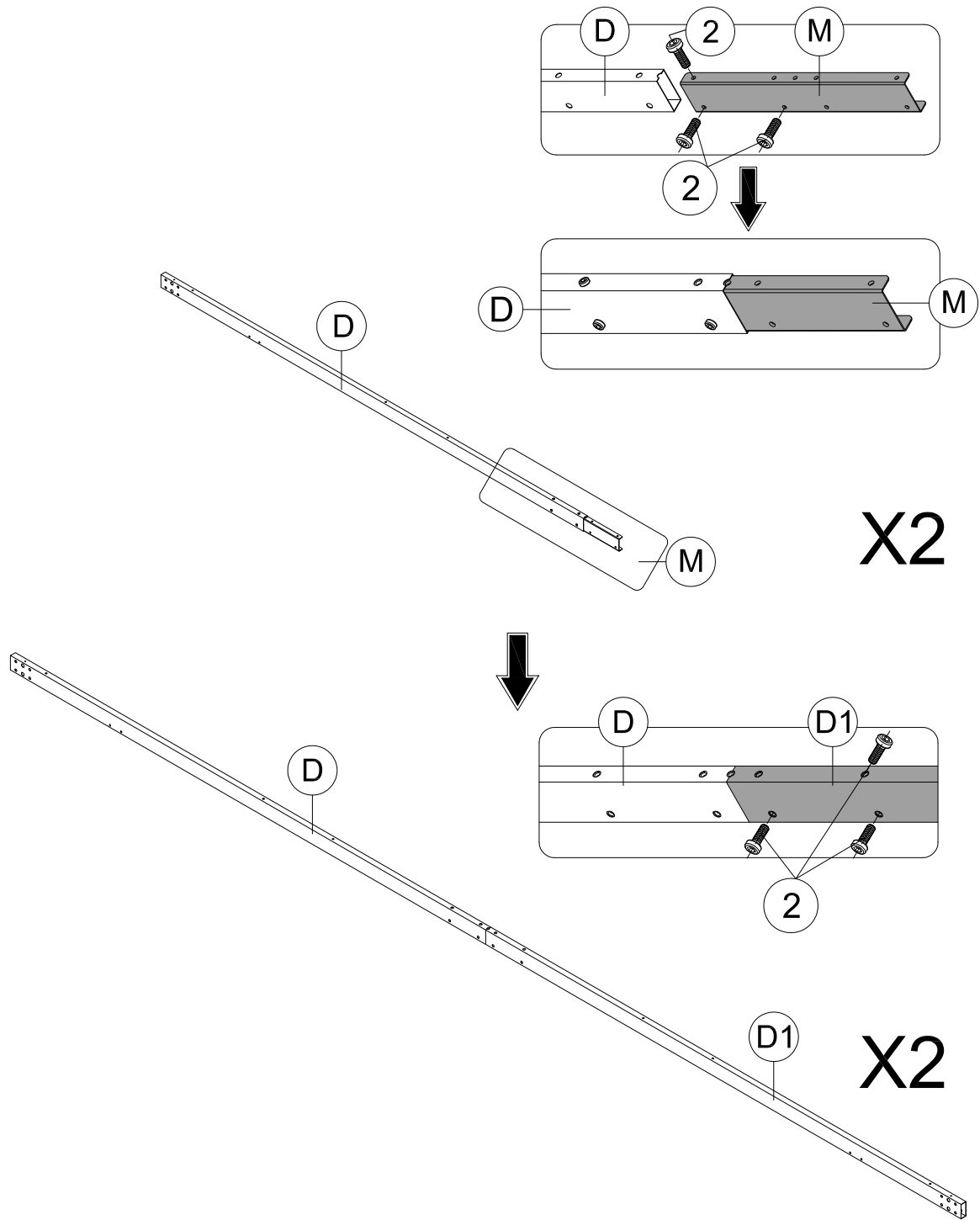
T 64x



7

- (1) Slide the plastic hooks to the double-rail track #F2 & F3 (each slot should slide 8 plastic hooks).
- (2) Repeat the above procedures for another track #F2 & F3.

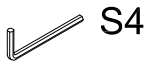
-  **(D)** 2x
-  **(D1)** 2x
-  **(M)** 2x
-  **S4**
(1) 1x
-  **M6x16**
(2) 12x



- (4) Insert Part #M into part #D, and secure with 3 bolts #2.
- (5) Insert the other side of part #M into part #D1 and secure with 3 bolts #2.
- (6) Repeat the above procedures for another beam#D & D1.**



N1 4x

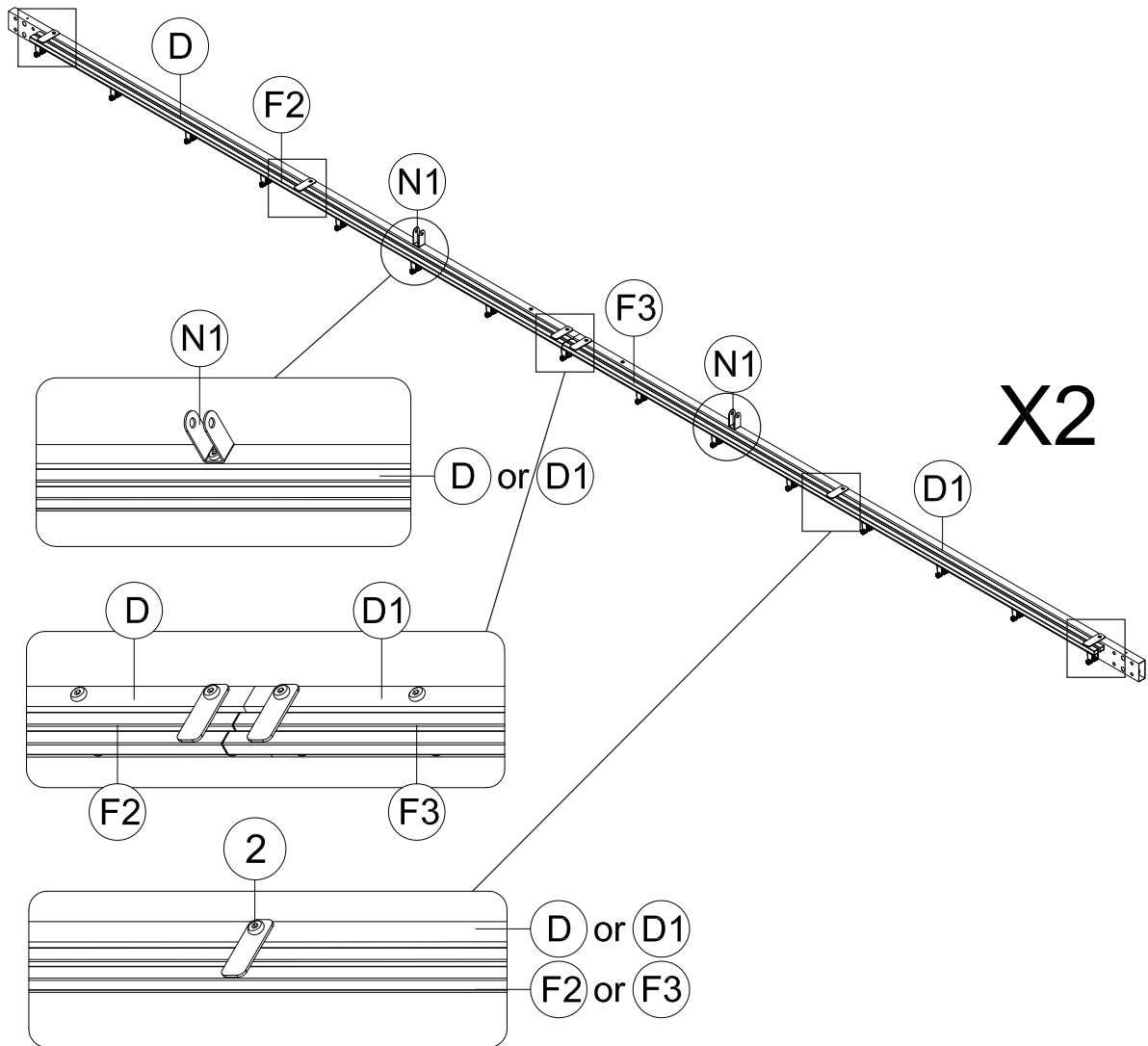


1 1x



M6x16

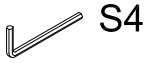
2 16x



(4) Use 6 bolts #2 to secure track #F2 & F3 to the beam #D & D1.

(5) Attach 2 Bracket #N1 to the beam #D & D1 with 2 bolts #2.

(6) Repeat the above procedures for another beam #D & D1.



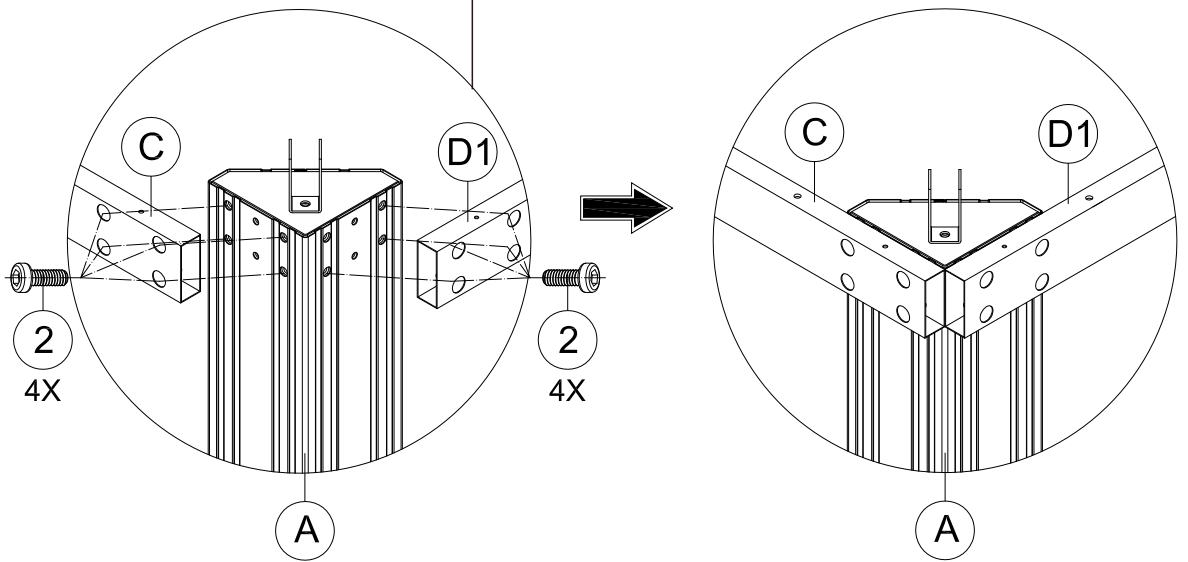
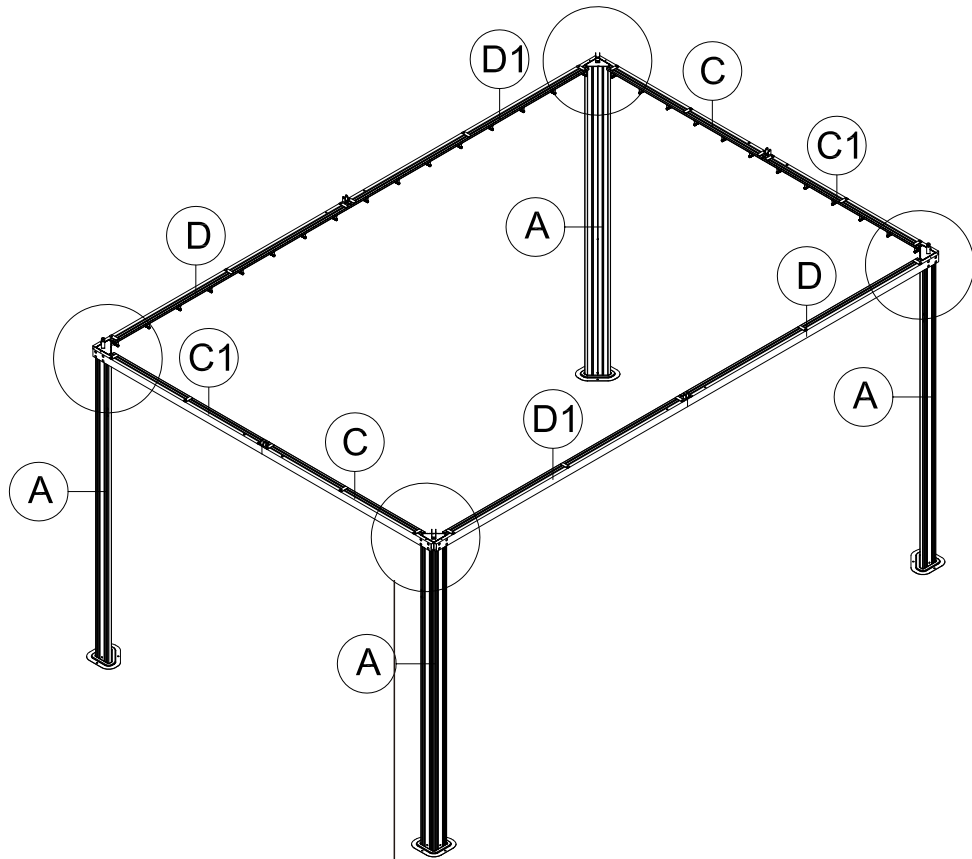
S4

1 1x



M6x16

2 32x



(1) Connect part #C and #D1 to pole #A with 8 Bolts #2.
(From Outside)

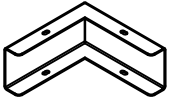
(2) Repeat the above procedures to assemble the other 3 corners.



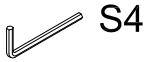
E 4x



E1 4x



P 4x



1 1x



2 32x

M6x16

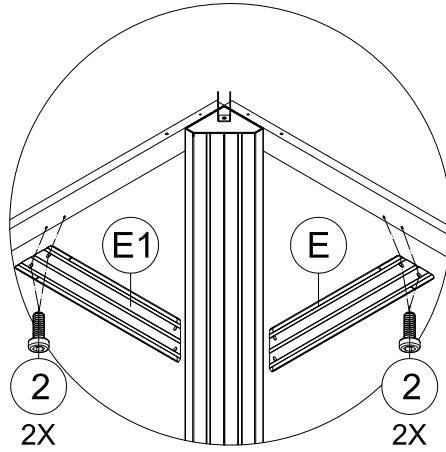


4 16x

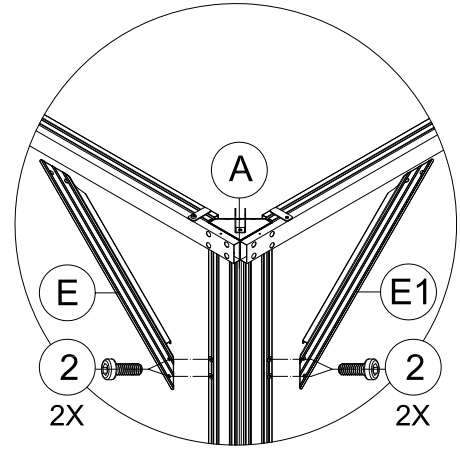
ST5x16

(1) Affix part #E & #E1 to the frame with 8 bolts #2.

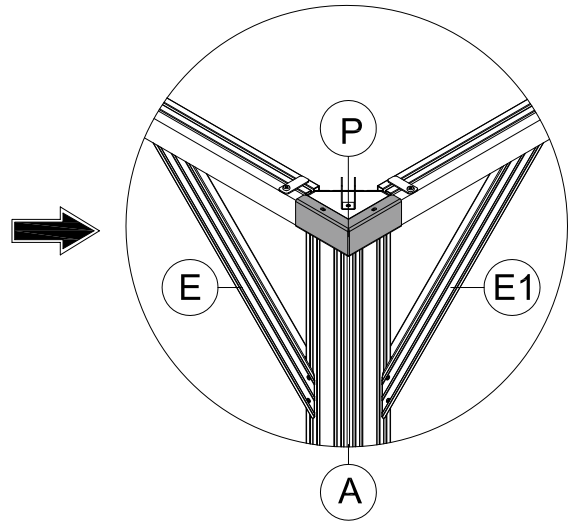
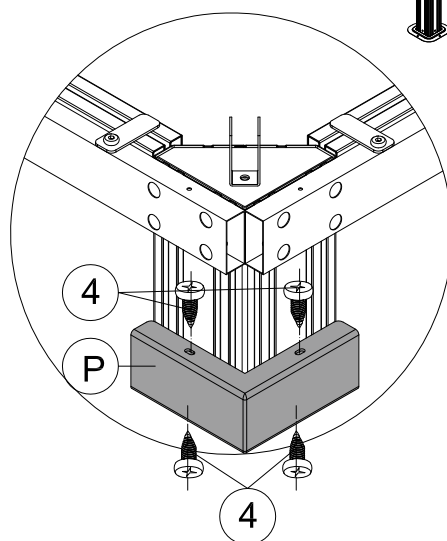
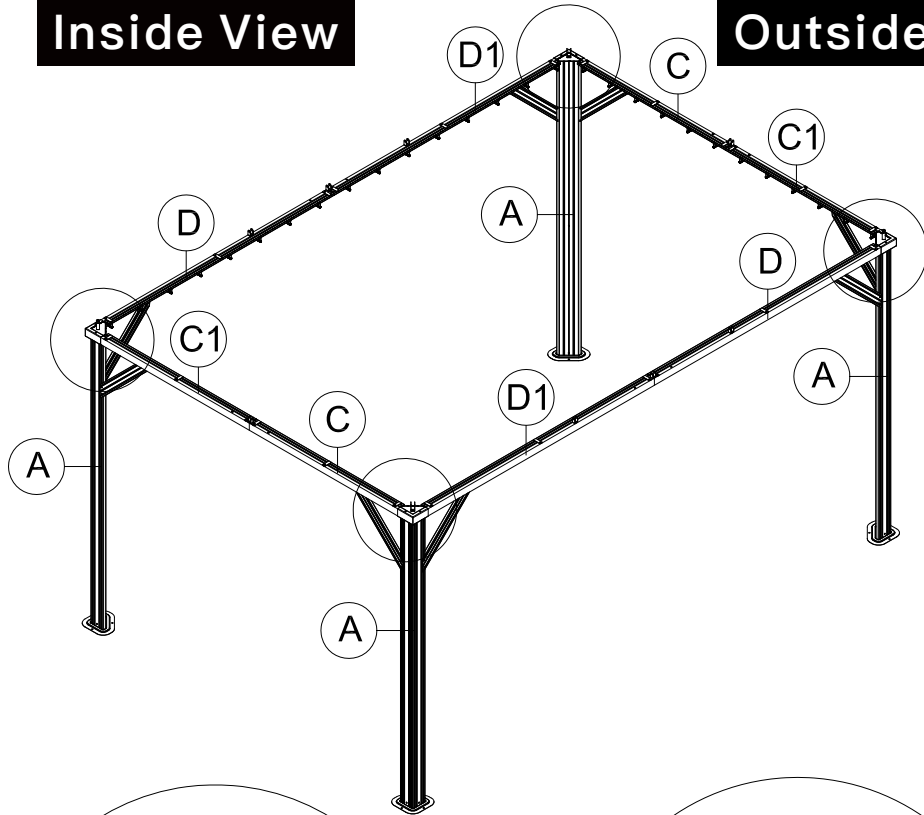
(2) Repeat the above procedures to assemble the other 3 corners.



Inside View



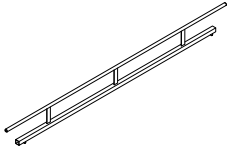
Outside View



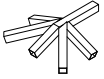
(3) Attach the corner with corner cover #P.

(4) Secure with 4 Screws #4.

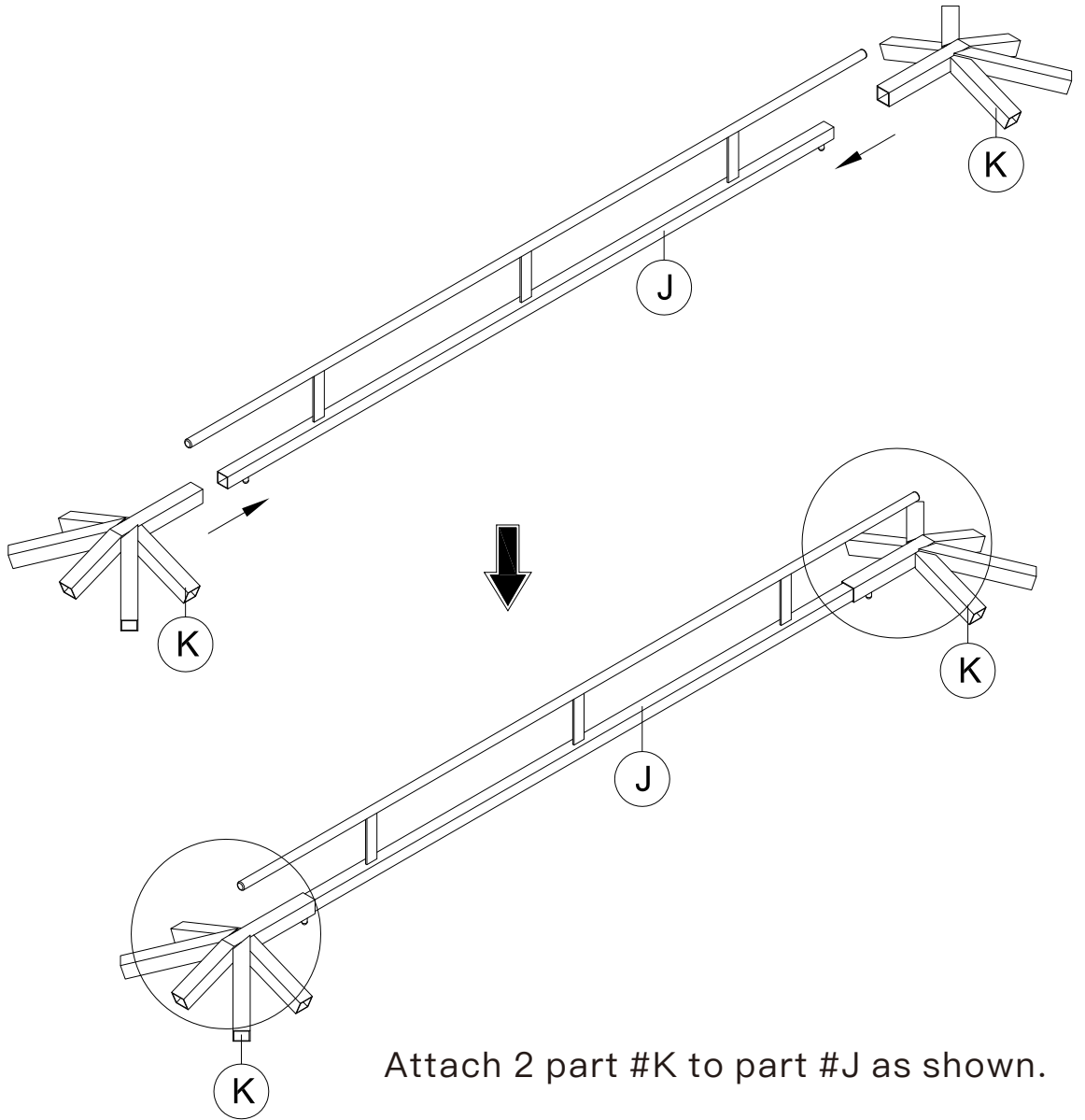
(5) Repeat the above procedures to assemble the other 3 corners.



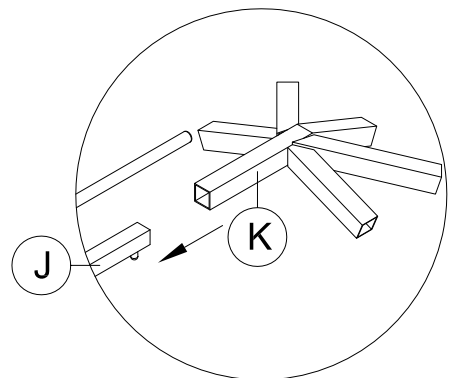
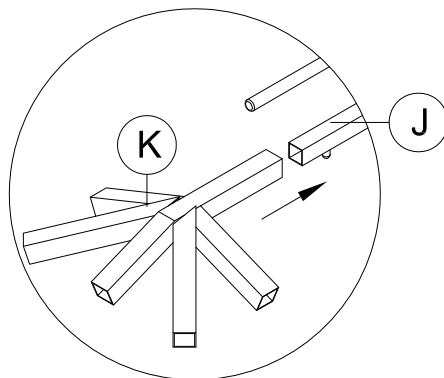
J 1x



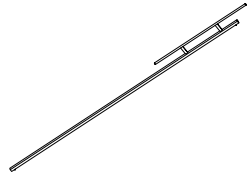
K 2x



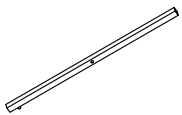
Attach 2 part #K to part #J as shown.



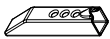
CORNER ROOF TUBE ASSEMBLY:



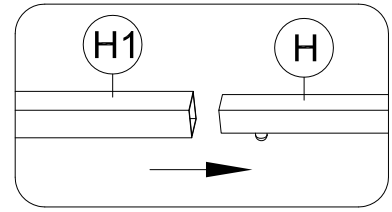
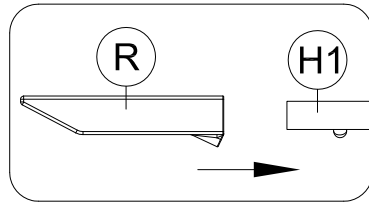
(H) 4x



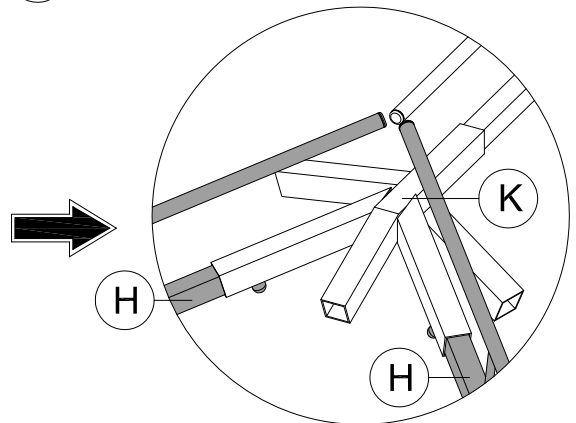
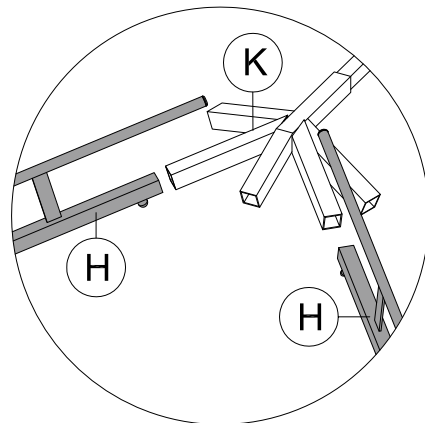
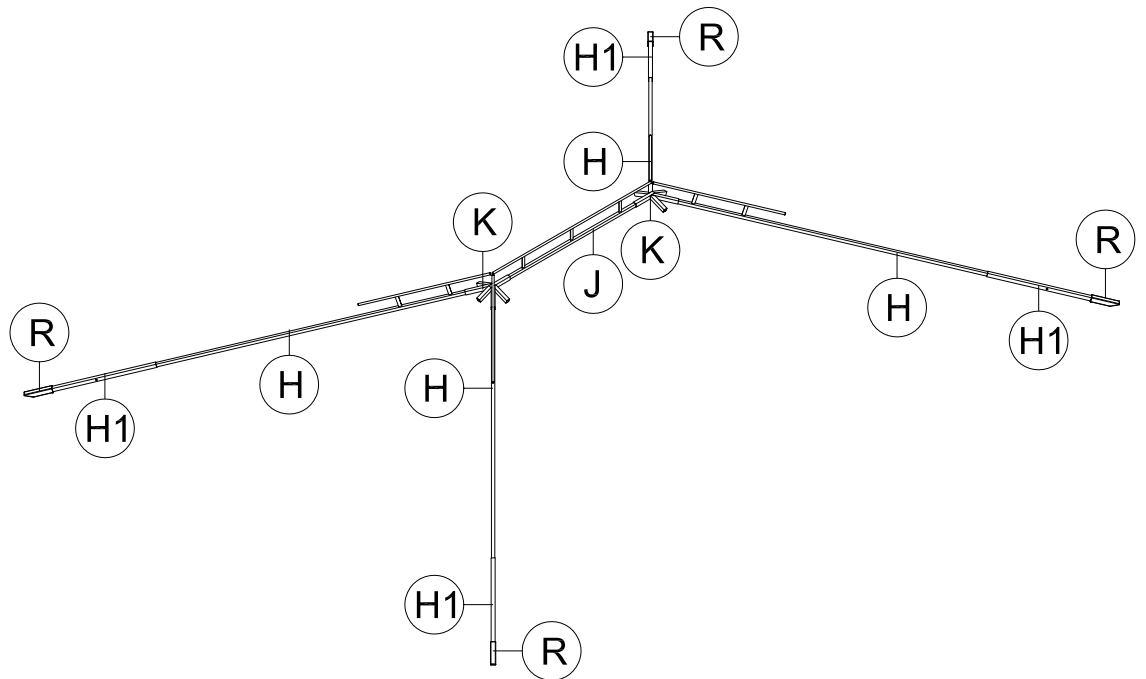
(H1) 4x



(R) 4x



- (1) Attach part #R to part #H1.
- (2) Connect part #H1 with part #H.
- (3) Insert the assembled corner roof tube to the roof connector #K.





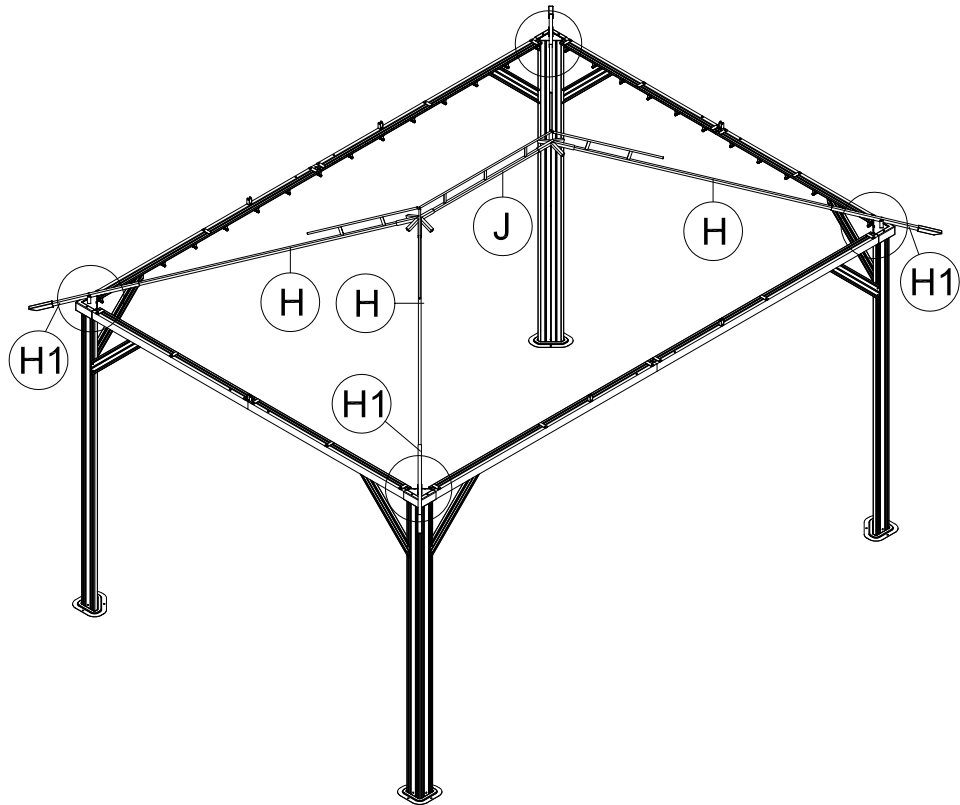
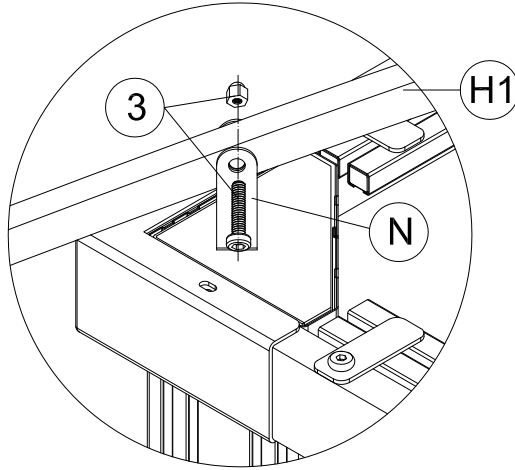
1 1x



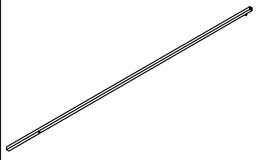
M6x35

3 4x

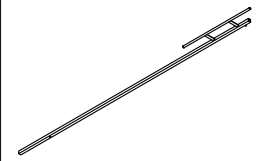
Use 4 bolts #3 to fix the assembled roof tube with bracket #N.



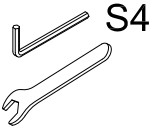
MIDDLE ROOF TUBE ASSEMBLY:



G 2x



G1 4x

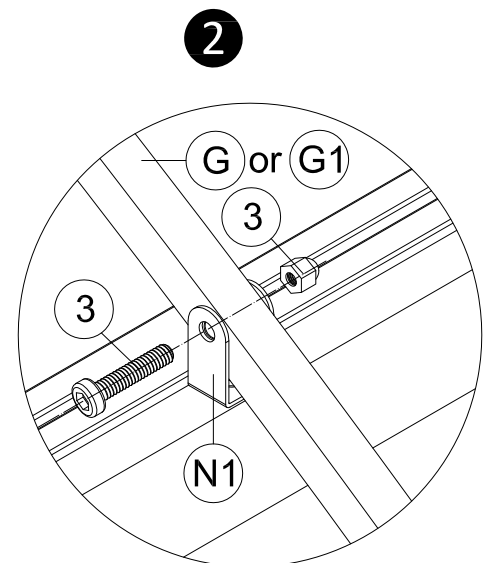
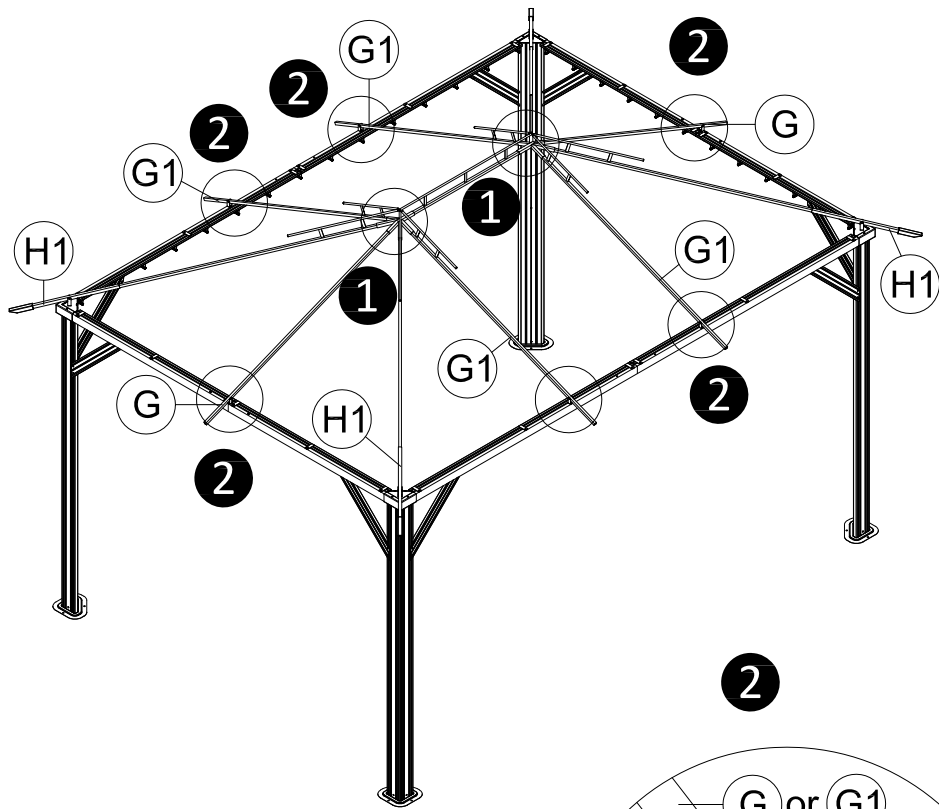
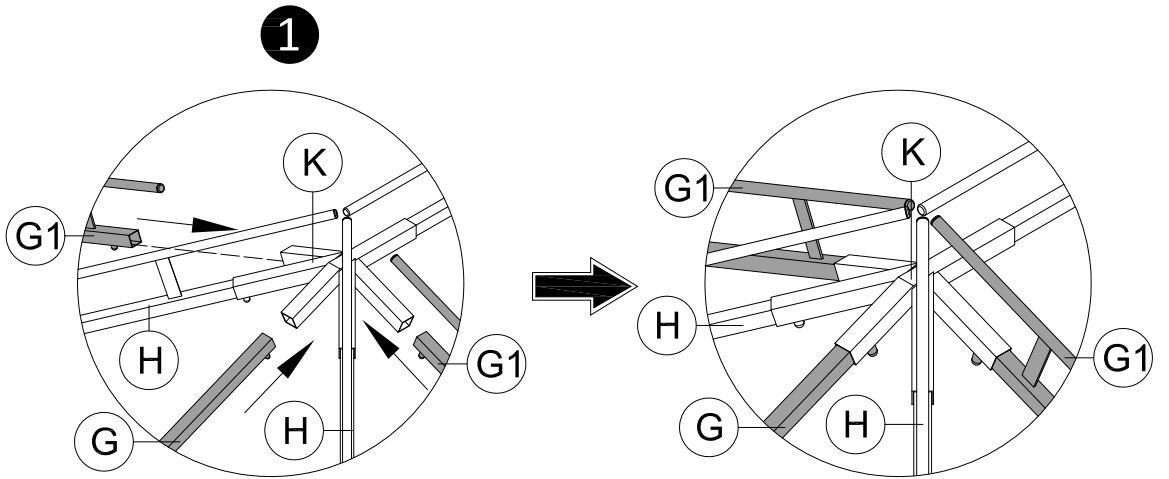


1 1x

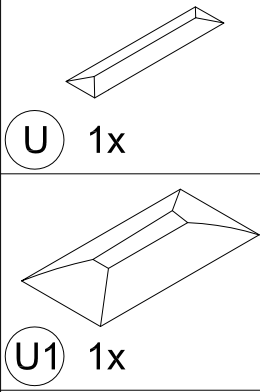


M6x35

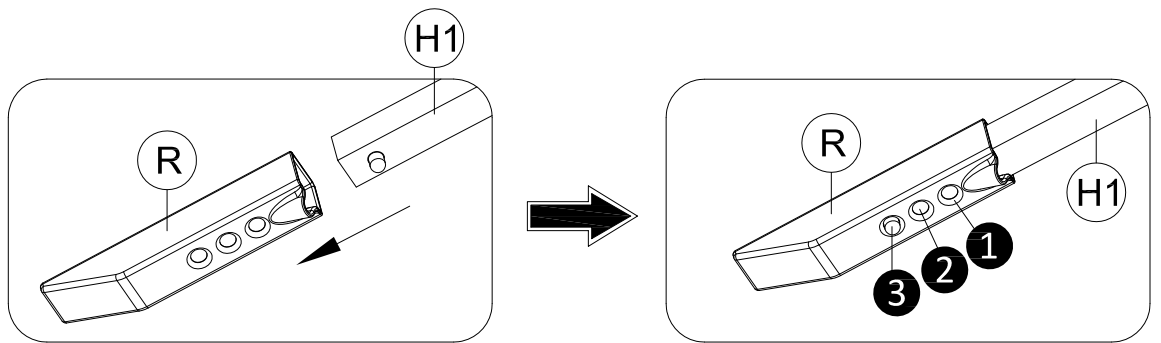
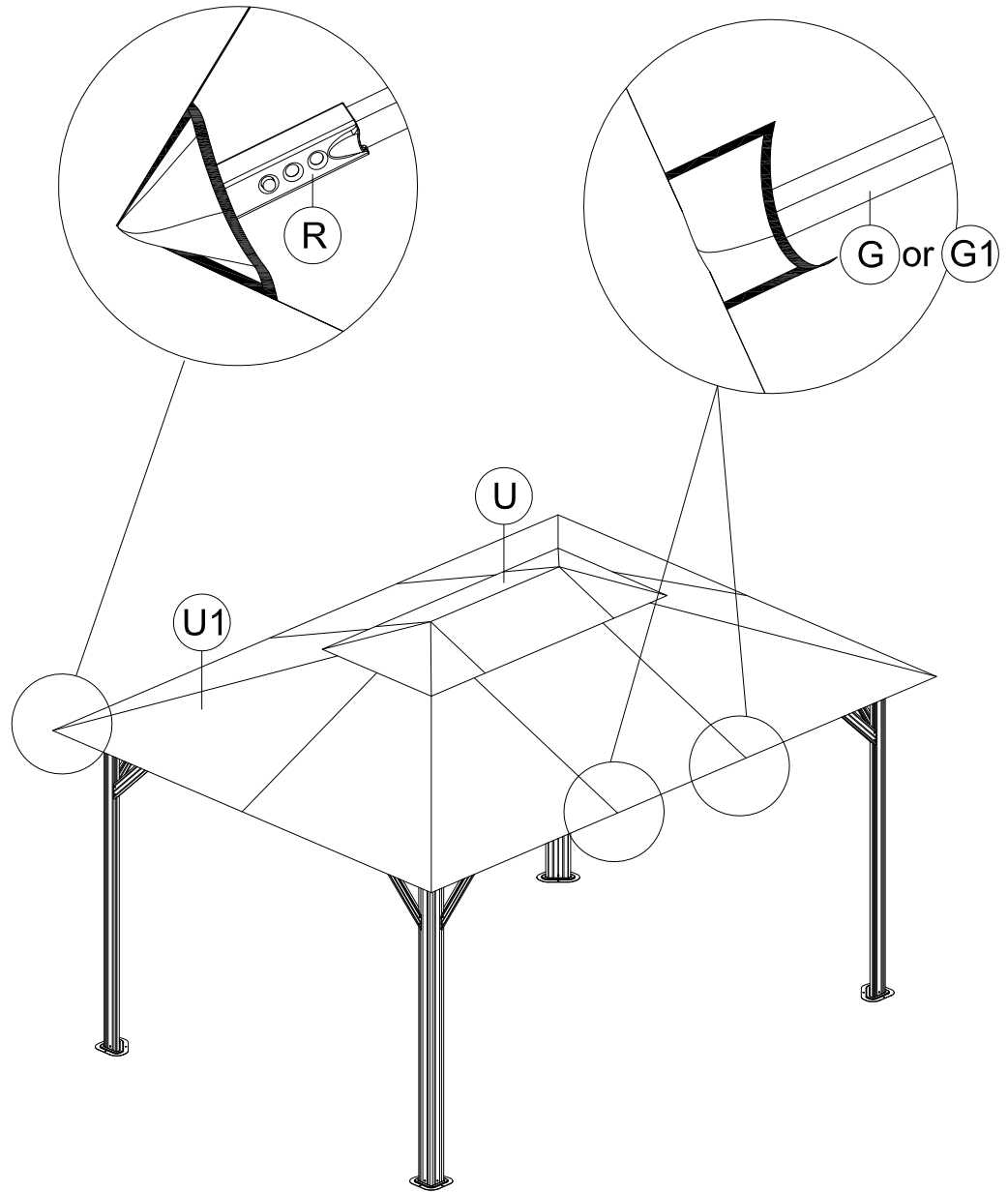
3 6x

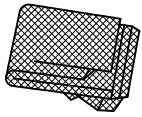


Use 6 bolts #3 to fix the assembled roof tubes with bracket #N/N1.



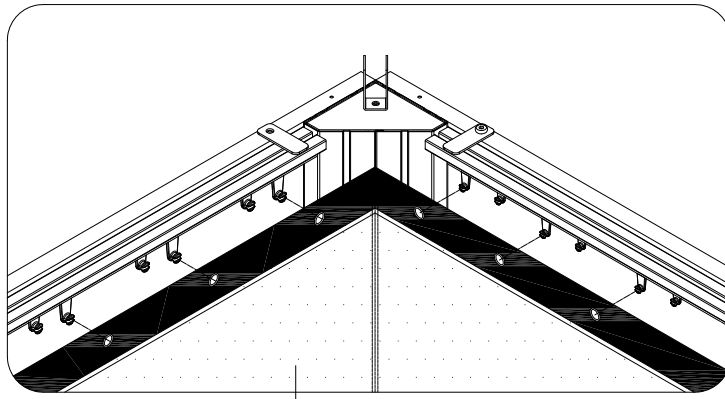
- (1) Put vent cover #U on the top.
- (2) Assemble #U1 under the #U.
- (3) Stick the mesh of #U to the inside of #U1.
- (4) Insert part #R into the Corner Pockets on #U1 FIRST.
- (5) Then insert Middle Roof Tubes #G/G1 into the corresponding pockets.



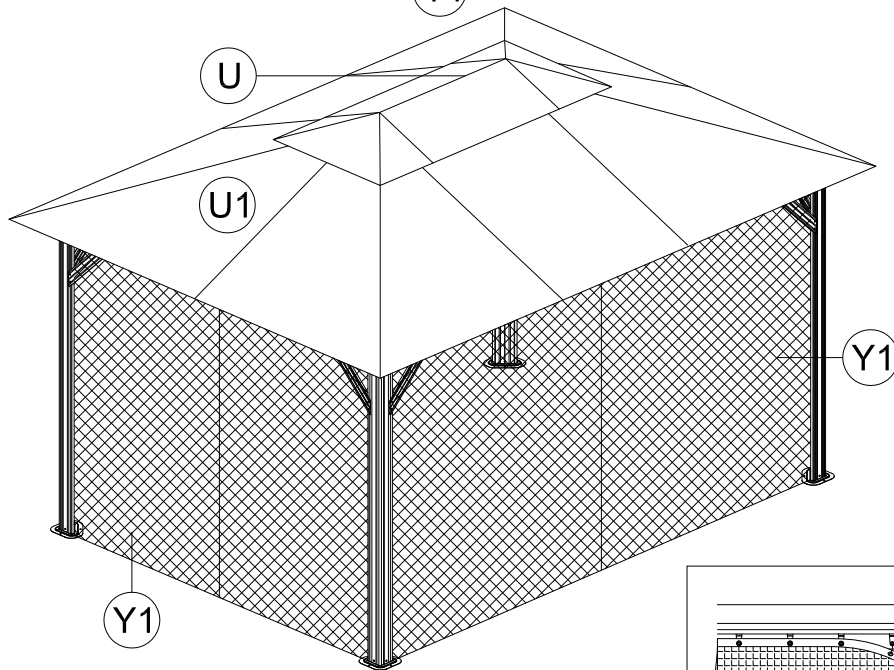


Y1 4x

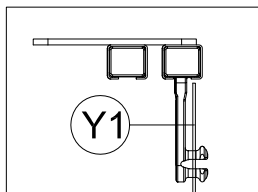
Mosquito Netting Assembly



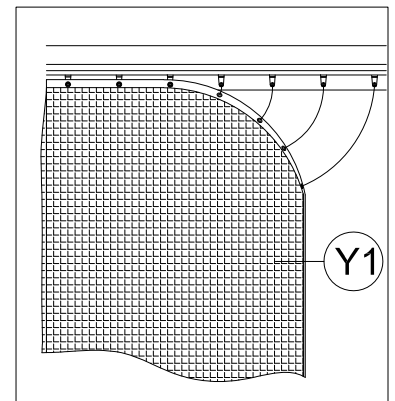
Y1



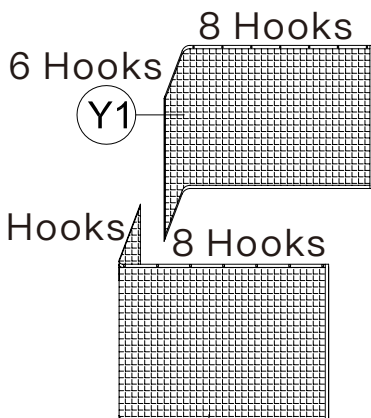
Inside Track



Y1

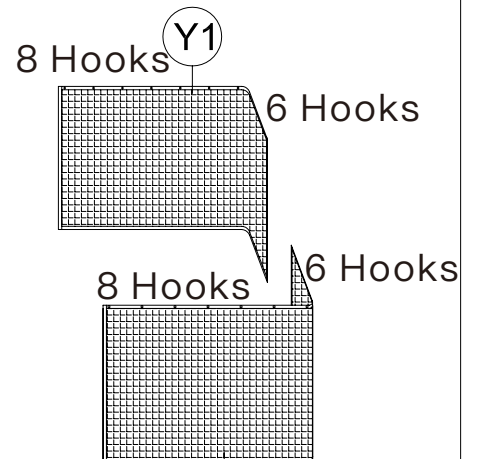


Y1



Y1

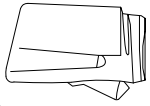
Y1



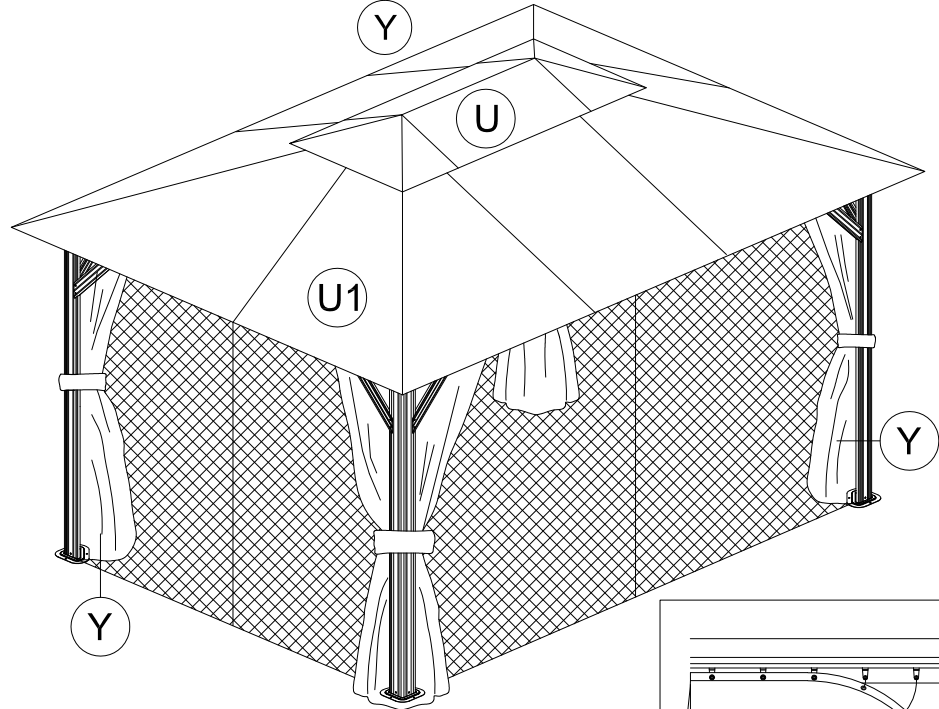
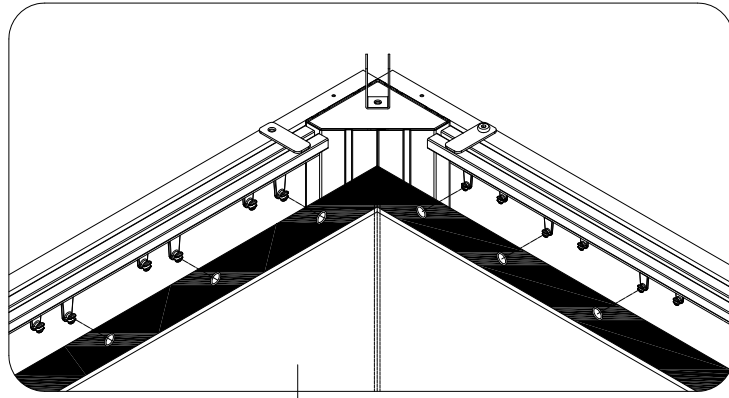
Y1

Y1

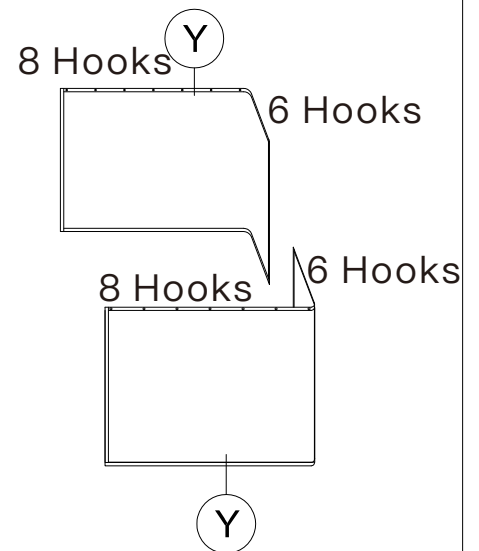
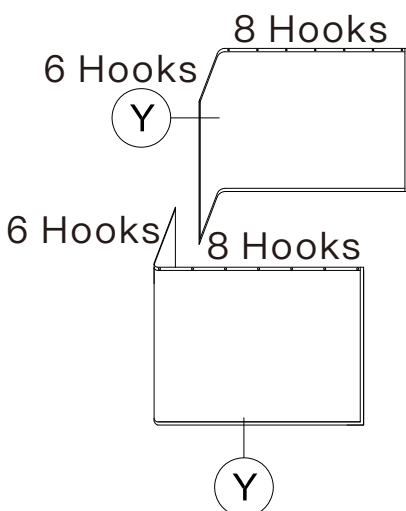
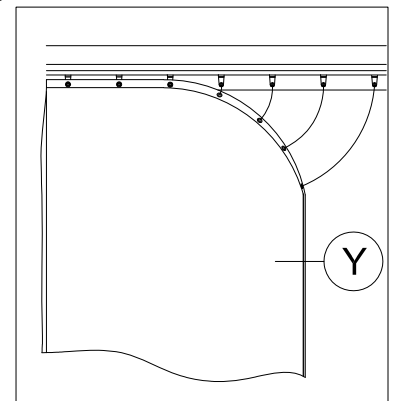
Curtains Assembly



Y 4x



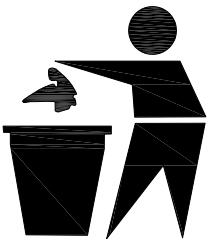
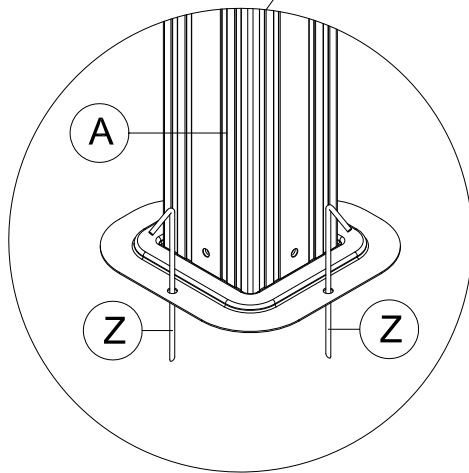
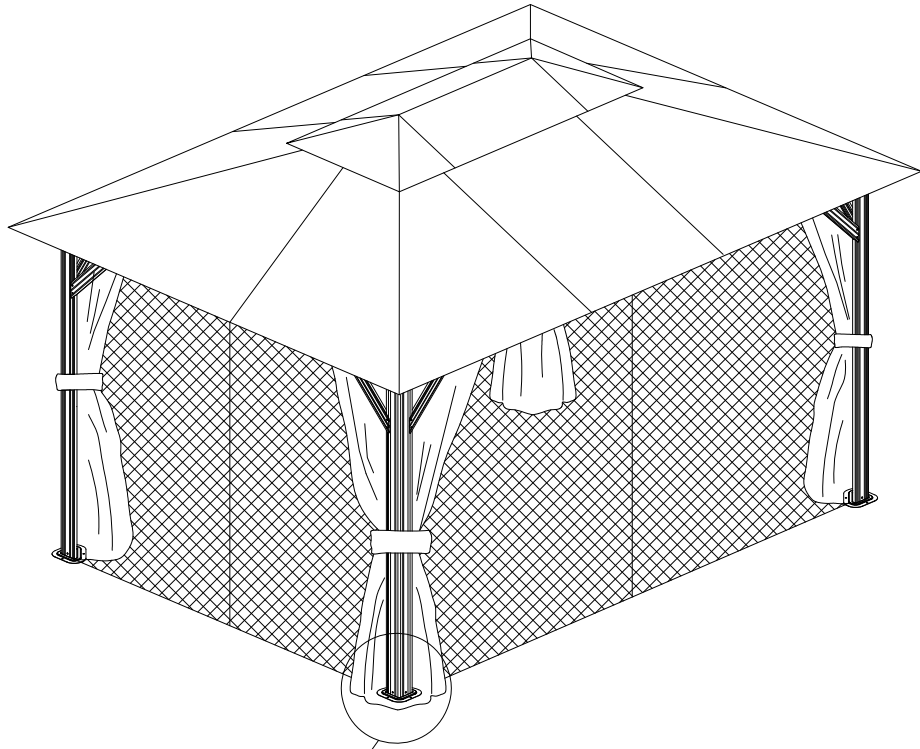
Outside View





Z 8x

Note: Stakes are NOT RECOMMENDED for PERMANENT USE. Be aware of strong wind when anchoring the gazebo on the soft ground. We do not provide warranty services if the gazebo is destroyed by strong wind when you anchor the gazebo using the stakes.



Thanks for your purchase.

At domi outdoor living, we believe in our products.

That's why we provide a 12-month warranty and

friendly, easy-to-reach after-sales service. So if you

have any questions about our product and assembly-

,please feel free to contact us. We will be here for you.

Support:



After-sales contact email:

service@domioutdoorliving.com

Please tell us your order ID when contact.

Attach photos of damaged part for instant reply.