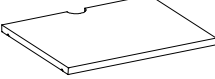



Instruction for Installing

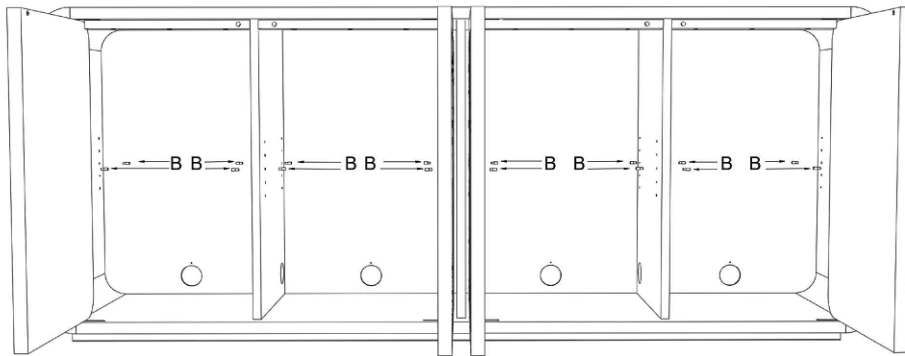
| Part List | Hardware Kit |
|---|---|
| A =  = Adjustable Shelf (4 pcs) | B =  = Shelf Support (16 pcs) |



Assembly Tips :

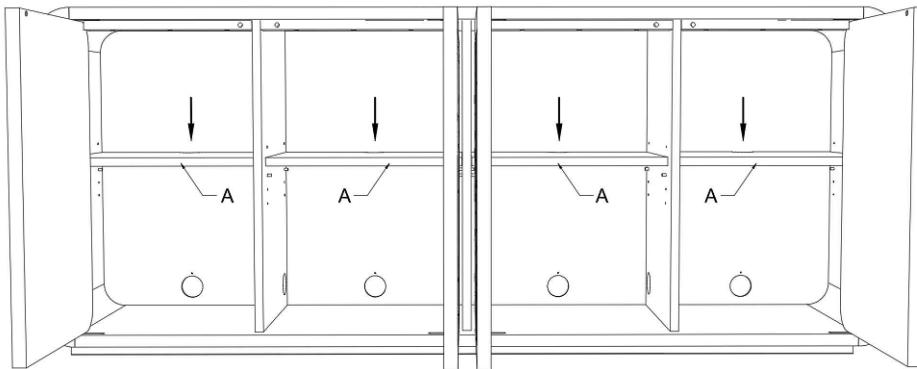
1. Please identify and check all parts and hardware before assembling.
2. Please read and follow each instructions step by step.

1



Open the door, insert shelf support (B)

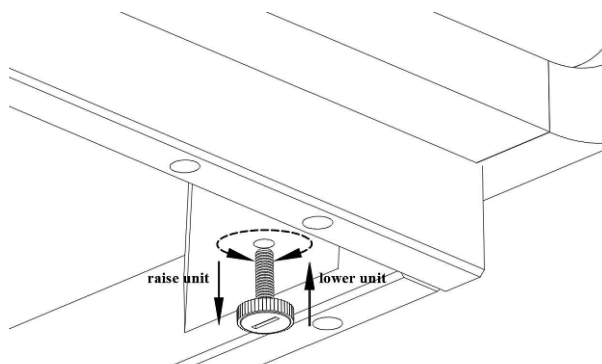
2



Install adjustable shelf (A).

INSTRUCTION FOR ADJUSTING THE LEVELER

To adjust the levelers, carefully lift the unit slightly to relieve pressure on the leveler(s) needing adjustment.
To raise or lower the unit, turn the levelers as shown below.



Repeat proses as necessary until unit is level and stable.