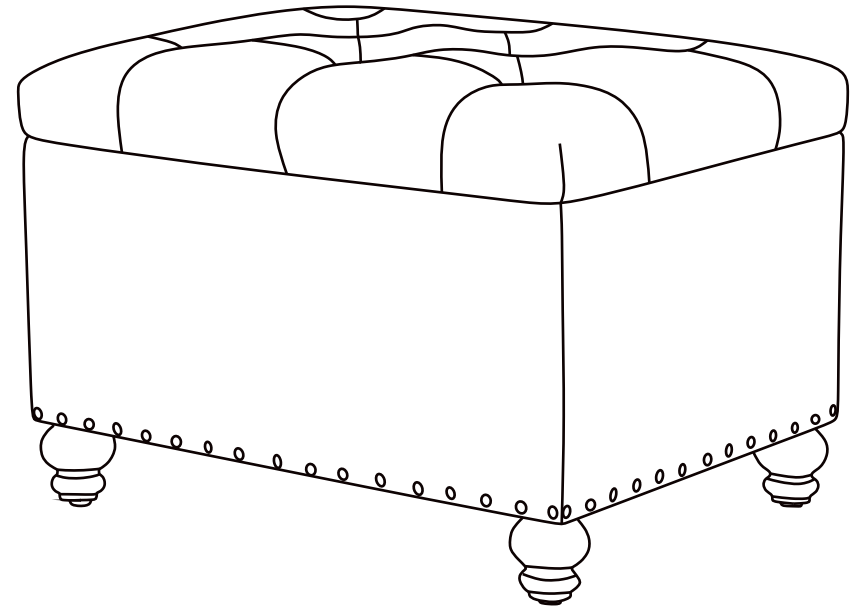


Instruction Manual

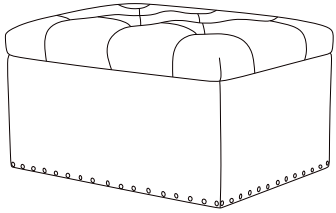
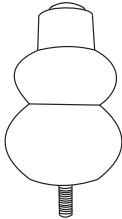
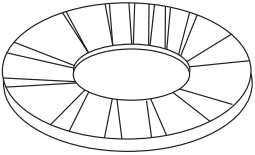
User Guide

Make life better

Warm tips: We are proud of high-quality products and satisfactory service, but the goods may encounter special circumstances during transportation, if you receive the goods with missing or damaged parts, please take photos and contact our customer service before returning the goods , we will customize a solution that satisfies you, thank you.



Instruction

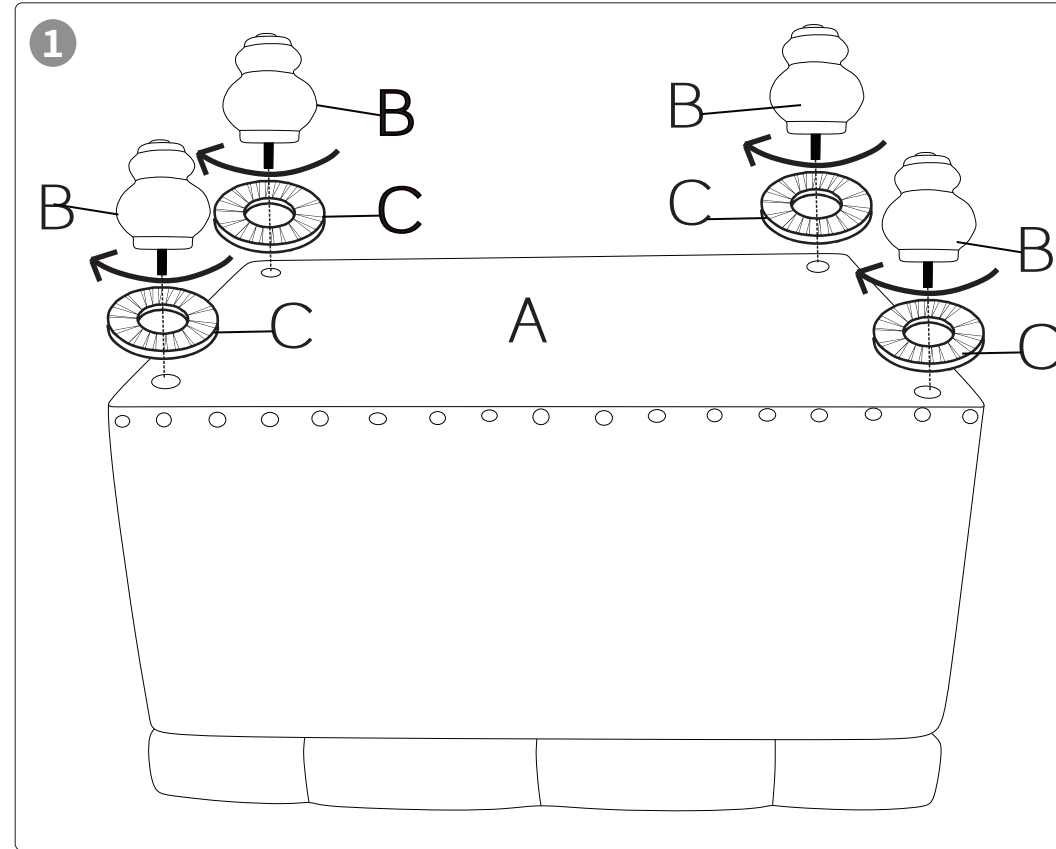
NO	DESCRIPTION		QTY
A	Top Frame		1
B	Leg		4
C	Plastic Washer		4

Note:

1. During the assembly process of a product, if you need to install multiple screws, you can first align all the screws with the holes, first rotate a few times to fix the positions of all the screws, and after all the screws are aligned with the holes, use a wrench to completely Tighten in turn.

2. Flat washers and lock washers must be installed to prevent the screws from loosening and damaging the joints.

Installation Method



- 1 Carefully open the top cover (A) and take out the legs (B) and parts (C), be aware of the staples that fixed the rope.
- 2 Rotate the legs (B) with hardware(C) into the holes as shown below.

