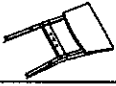















ASSEMBLY INSTRUCTIONS

BAB-DC-2-98-K

| NO. | | Parts List | Q'TY |
|-----|---|-----------------------------|------|
| A |  | Chair Back | 1 |
| B |  | Upholstered Seat with Frame | 1 |
| C |  | Left Front Leg | 1 |
| D |  | Right Front Leg | 1 |
| E |  | Side Stretcher | 2 |

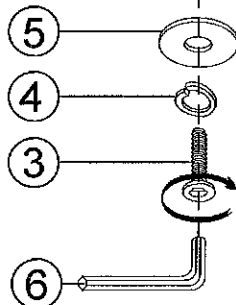
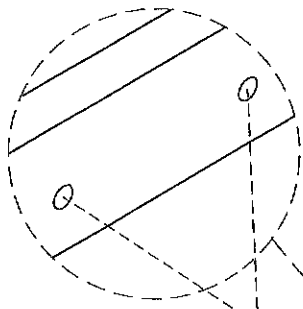
| NO. | | Parts List | Q'TY |
|-------------------------------|---|----------------------------------|------|
| 1 |  | 1/ 4" x 3" 1/8 Allen Bolts | 4 |
| 2 |  | 1/ 4" x 2" Allen Bolts | 4 |
| 3 |  | 1/ 4" x 1" 4/7 Allen Bolts | 2 |
| 4 |  | 14 mm x 1.5 mm Lock Washers | 10 |
| 5 |  | 22 mm x 1.5 mm Flat Lock Washers | 10 |
| 6 |  | 1/ 6" x 4" 1/4 Allen Key | 1 |
| 7 |  | 1/ 6" x 1" 4/7 Wood Serews | 4 |
| 8 |  | Glue | 1 |
| Tools Required (Not Included) | | | 1 |
| |  | Phillips Head Screwdriver | |

Important Note
Do not use power tool for assembly
All bolts must fasten either by Wrench or Allen Key.



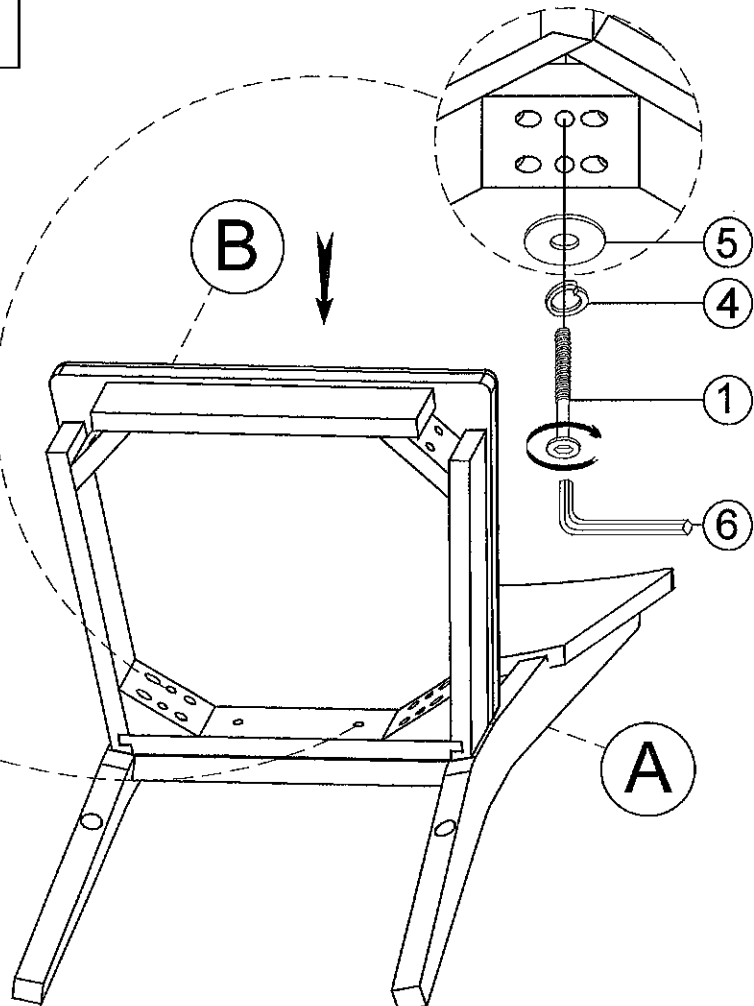
STEP 1

Do not fully tighten the bolt



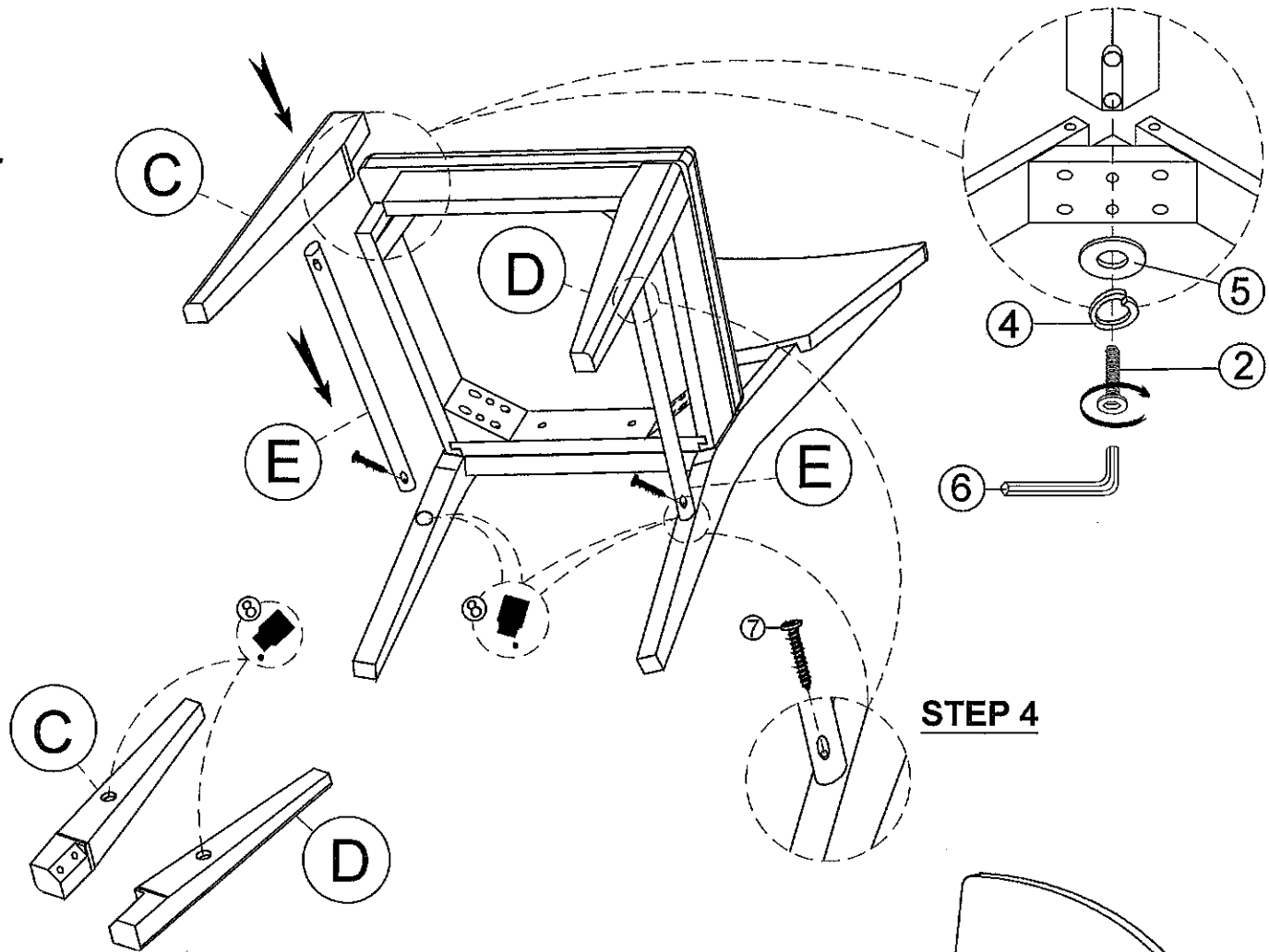
STEP 2

Do not fully tighten the bolt



STEP 3

Do not fully tighten the bolt



STEP 4

Levelling solution: Loosen each bolt in the seat box (front leg, back corner blocks and back apron) to the point where it can be turned with our fingers. Place the Chair upright on the floor and make sure Chair/Stool back and seat frame are well connected. Sit in the Chair/Stool, but do not lean against the Chair/Stool back. Gently sway back and forth, left and right. Carefully turn the Chair/Stool upside down, and tighten each bolt. The Chair/ Stool will now be levelled.

