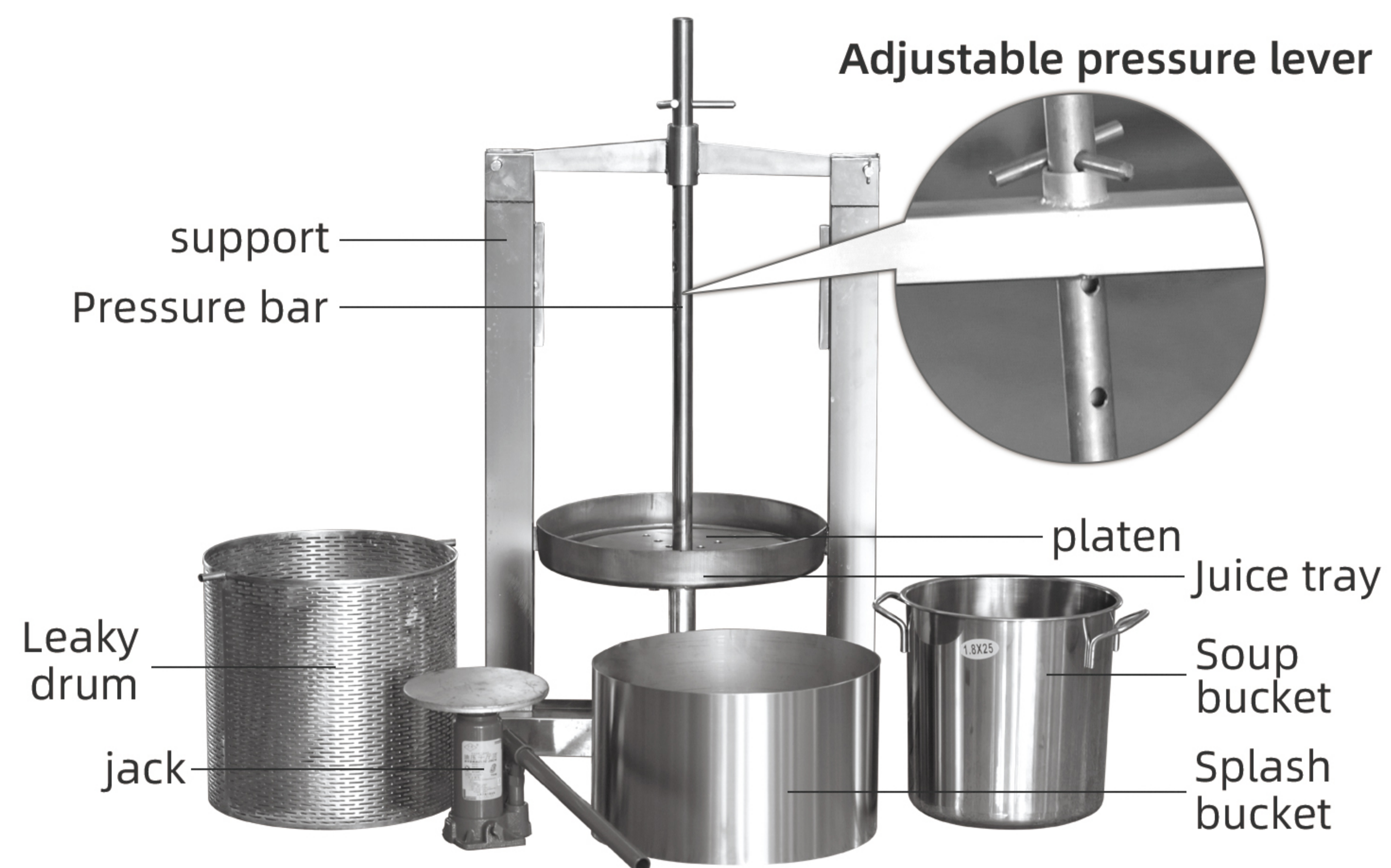




304 STAINLESS STEEL PRESS

Operation and installation instructions

Product breakdown diagram:

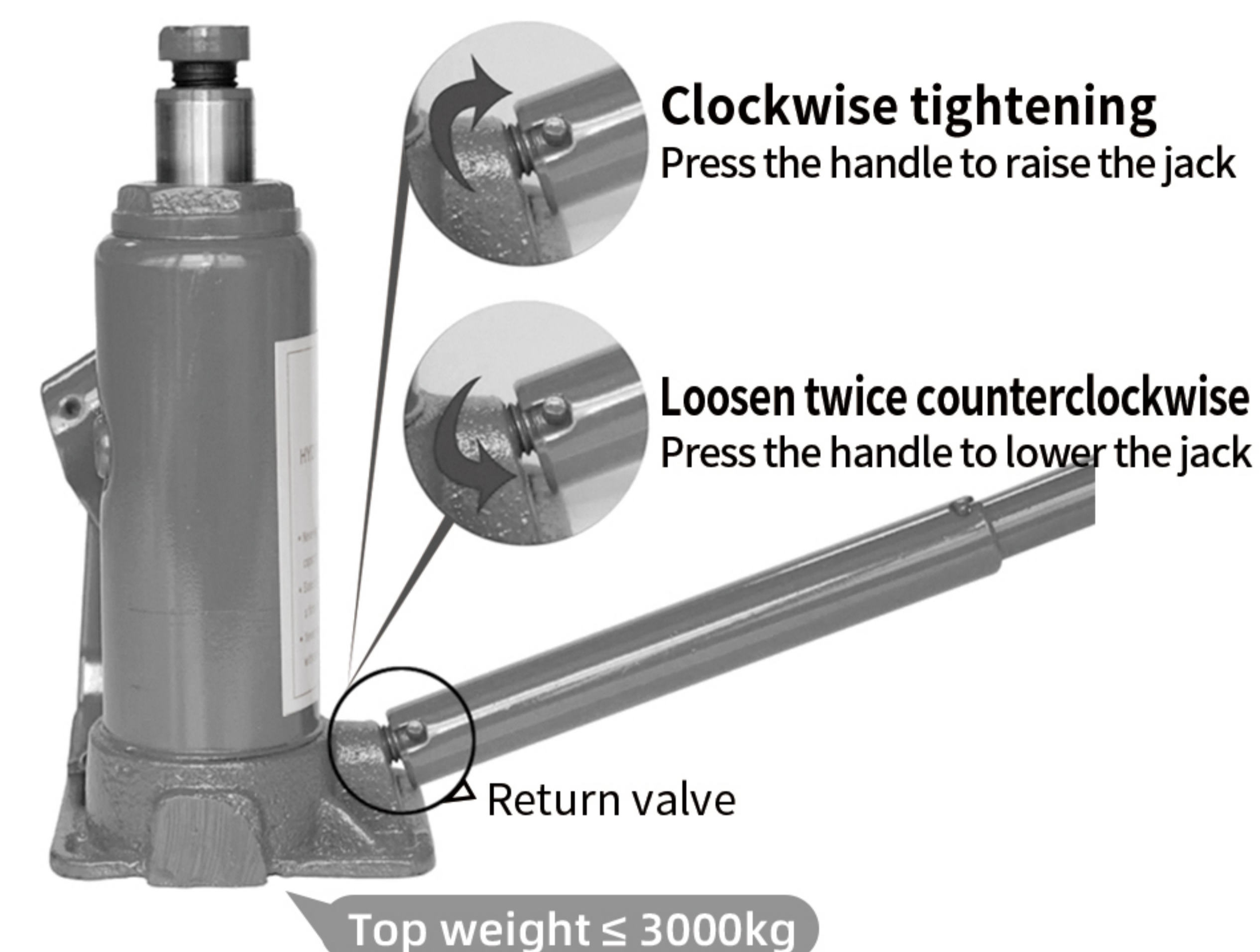


Product Name	Product Capacity	Product Size	Chassis Thickness
304 Stainless Steel Press	20L	75x48cm	2mm
Bucket Size	Bucket Thickness	Bucket Eyelet Size	Splash Bucket Size
30x30cm	1.2mm	2x18mm	33x20cm
Thickness of Splash Bucket	Platen Thickness	Platen Diameter	Lever Length
0.7mm	5.5mm	28cm	66cm
Bucket Size	Thickness of Juice Tray	Material	
25x25cm	2mm	The main body of the press and the leakage bucket are made of 304 stainless steel, the soup bucket is made of 201 stainless steel, and the jack is made of iron.	

Instructions for use:

⚠ Precautions for the use of 3 tons hydraulic jack

- ① When the oil return valve is loose to the left, do not exceed two circles, too much oil will leak.
- ② In the case of no heavy pressure on the jack, do not lift the jack too high to prevent the air pressure jamming (air pressure refers to the jack above the weight) otherwise, the light need something to knock down, the heavy directly damage the jack.



Installation method:



① Remove the iron disc and install it on the upper part of the jack



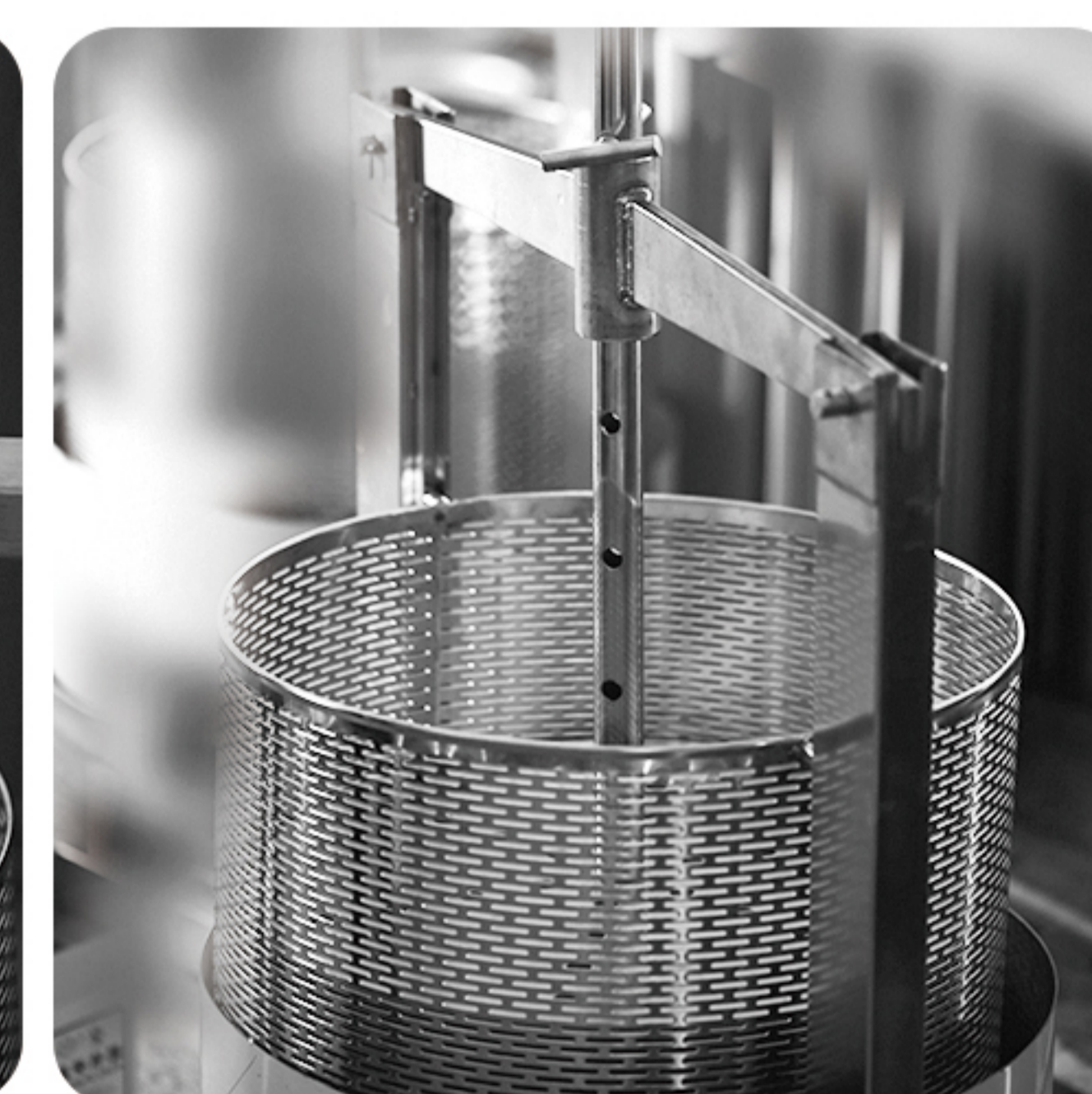
② Install the pressure rod



③ Put the installed jack under the tray



④ Take the screws to install the pressure plate on the pressure rod



⑤ Put into the leak bucket to press the skin residue or medicinal materials and other regulating pressure rod to put the pressure plate in the end



⑥ Press the juice in the jack slag to flow out