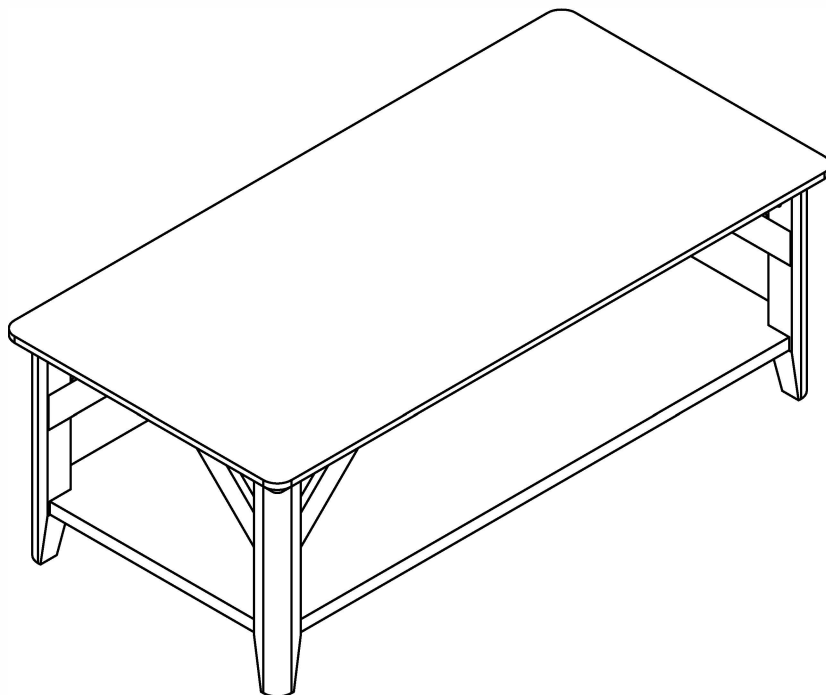


# Coffee Table






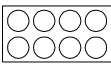
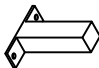



## **Assembly Instructions**

**We have designed our furniture with you, the customer in mind. Our clear, easy to follow, step by step instructions will guide you through the project from start to finish.**

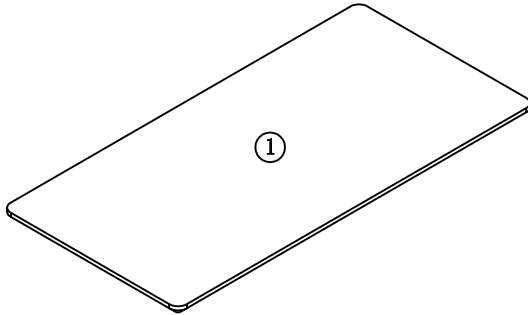
**Feel confident that this will be a fun and rewarding project. The final product will be a quality piece of furniture that will go together smoothly and give years of enjoyment.**

## Hardware List

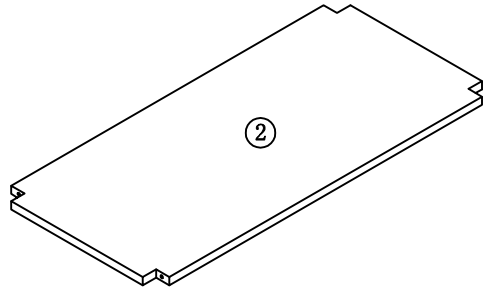
<b>A</b>  <b>L29</b>	<b>B</b>  <b>∅15</b>	<b>C</b>  <b>∅8×25</b>	<b>D</b>  <b>M6×12</b>
<b>Cambolt (24pcs)</b>	<b>Camlock (24pcs)</b>	<b>Dowel (16pcs)</b>	<b>Flat head Screw (2pcs)</b>
<b>E</b>  <b>∅16</b>	<b>F</b>  <b>∅22</b>	<b>G</b>  <b>80x25x97</b>	<b>H</b>  <b>Glue(1pc)</b>
<b>Foot Pin (4pcs)</b>	<b>Small sticker (20pcs)</b>	<b>Metal Leg (1pc)</b>	<b>Glue: For securing please apply to wood dowel first before inserting into panel</b>

\*Please count and verify all parts before assembly.\*

# Panel List



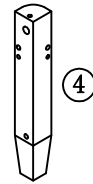
TOP(1pc)



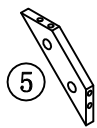
SHELF(1pc)



LEG (2pcs)



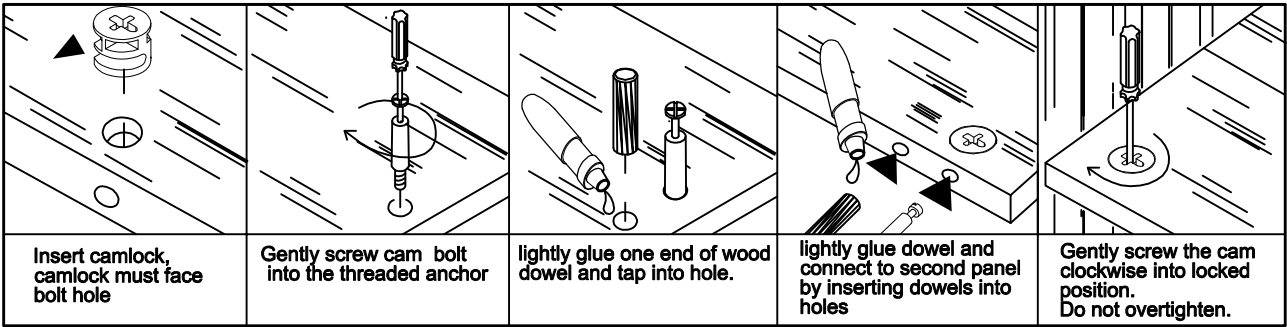
LEG(2pcs)



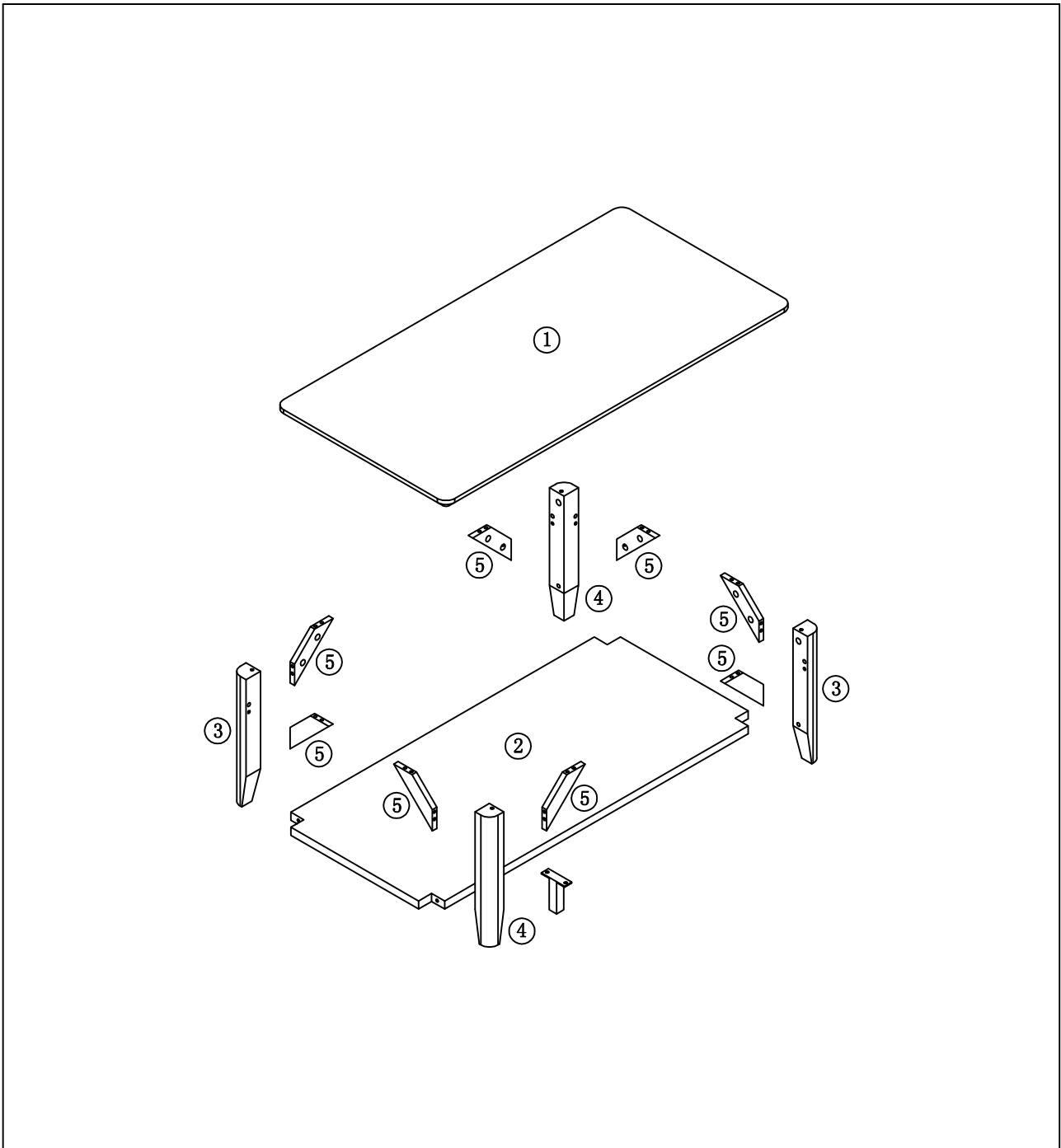
CROSSBAR(8pcs)

\*Please count and verify all parts before assembly.\*

## Assembling the unit with camlocks and wood dowels.

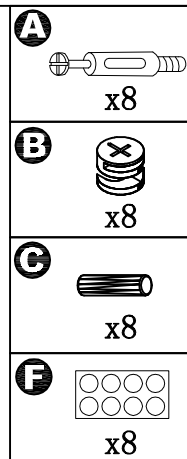
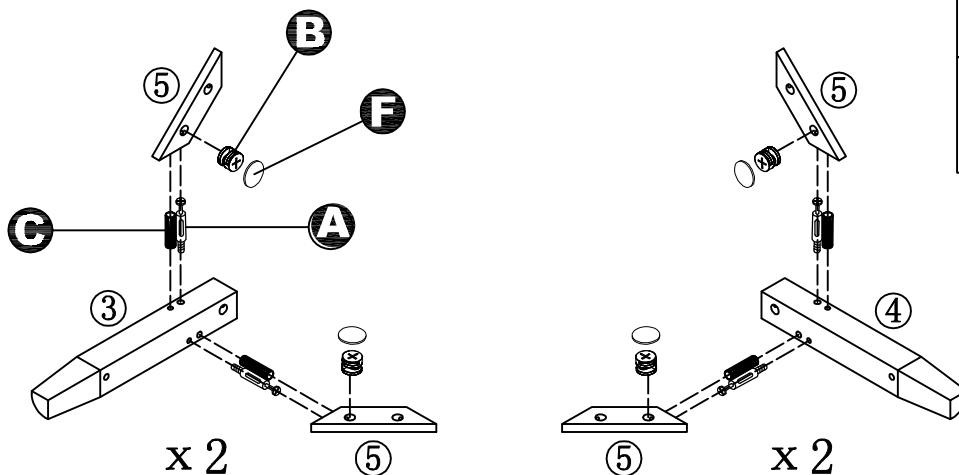


## Exploded Views



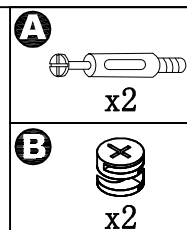
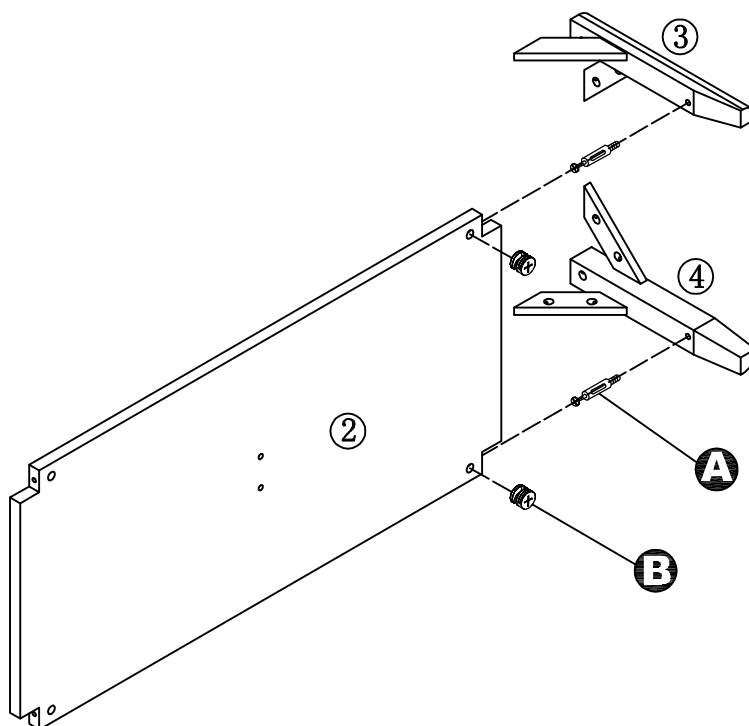
# Step1

1. Screw Cambolts(A) into leg(3), insert dowels(C) into leg(3).
2. Attach crossbar (5) to leg (3) using Camlocks (B) and gently tighten.
3. Place covers(F) over holes as shown.
4. Repeat for another three legs.



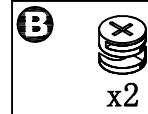
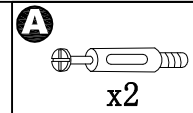
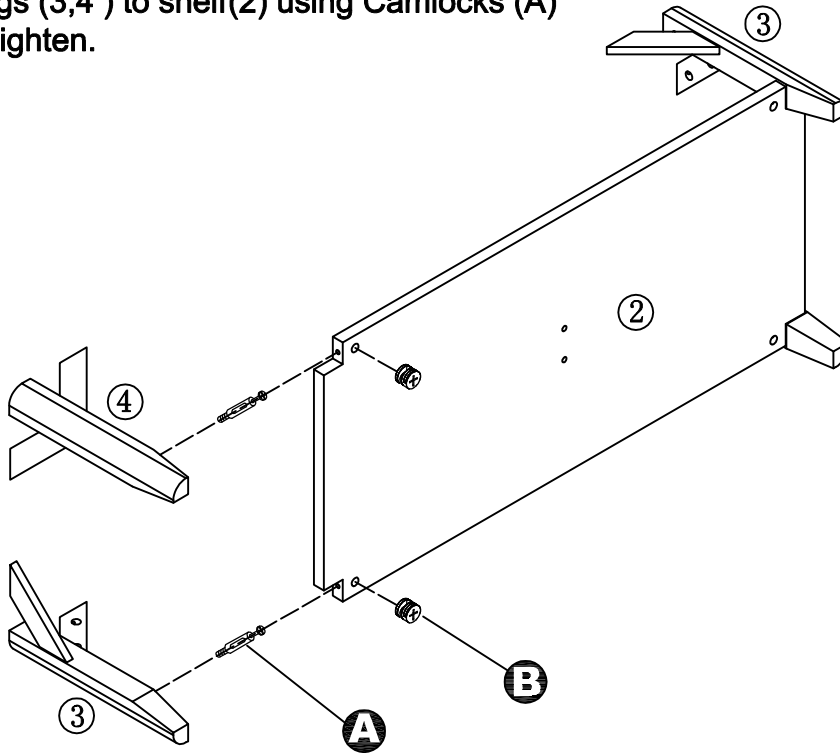
# Step2

1. Screw Cambolt(A) into leg(3,4).
2. Attach legs (3,4) to shelf(2) using Camlock (A) and gently tighten.



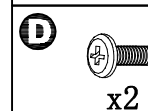
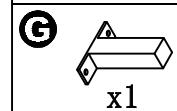
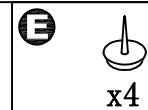
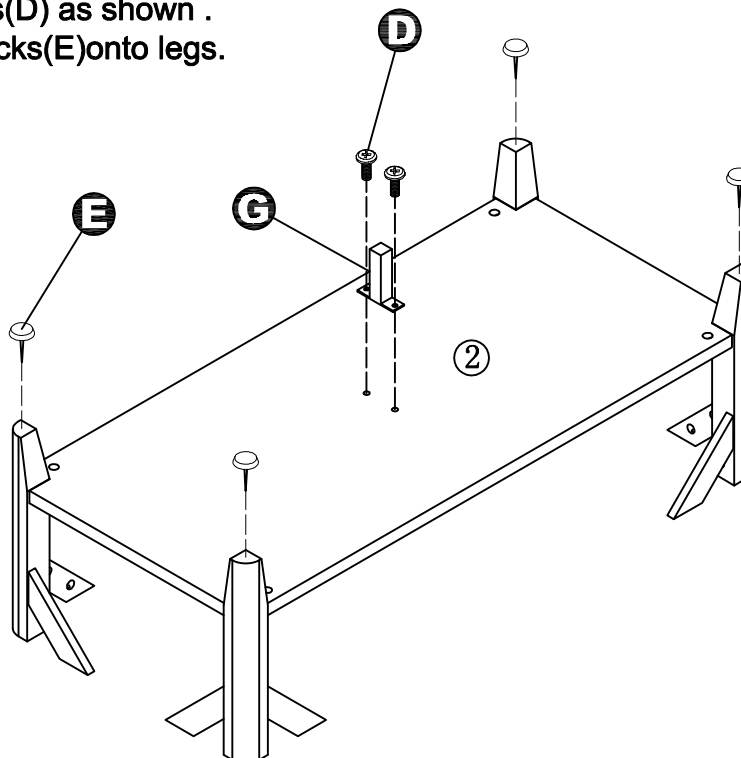
## Step3

1. Screw Cambolts(A) into legs(3,4).
2. Attach legs (3,4 ) to shelf(2) using Camlocks (A) and gently tighten.

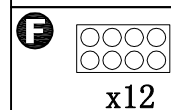
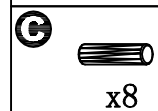
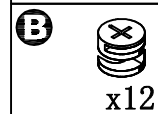
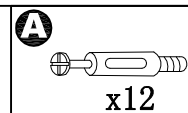
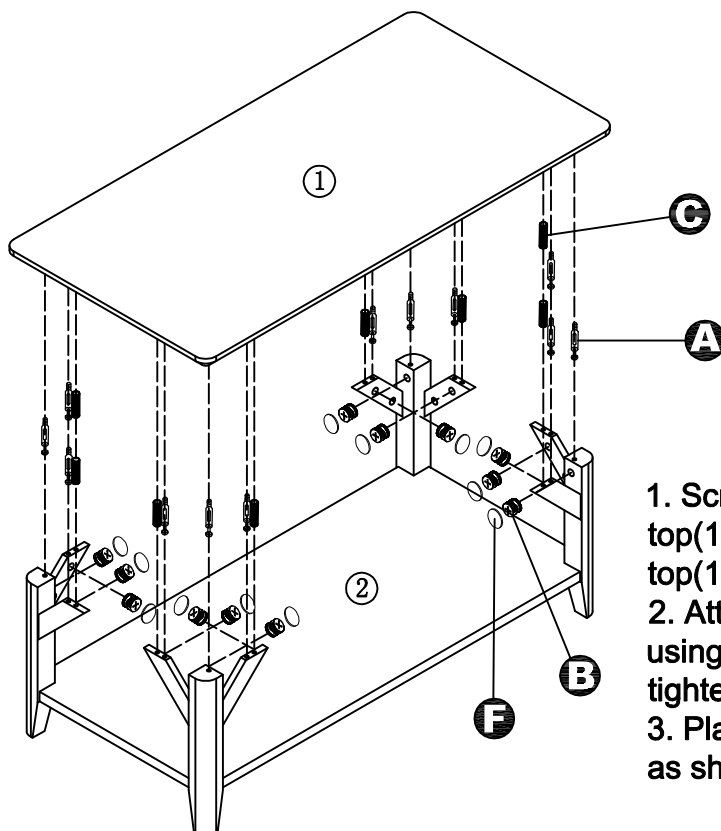


## Step4

1. Put table upside down.
2. Attach metal leg(G) to shelf(2) using flat head screws(D) as shown .
3. Knock foot tacks(E) onto legs.



## Step5



1. Screw Cambolts(A) into top(1), insert dowels(C) into top(1).
2. Attach legs(3,4) to top(1) using Camlocks (A) and gently tighten.
3. Place covers(F) over holes as shown.

## Step6

Enjoy your Winston Coffee Table!

