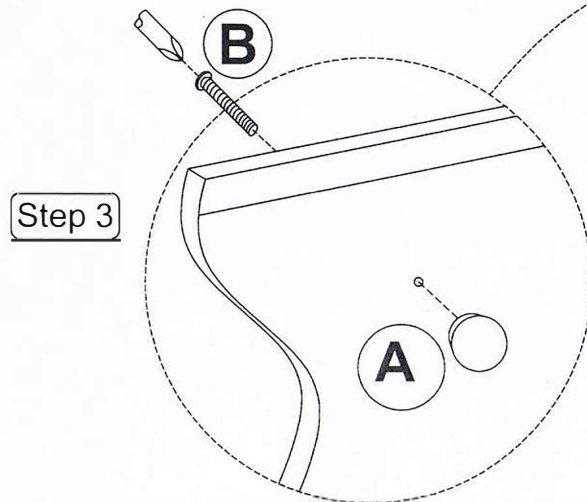
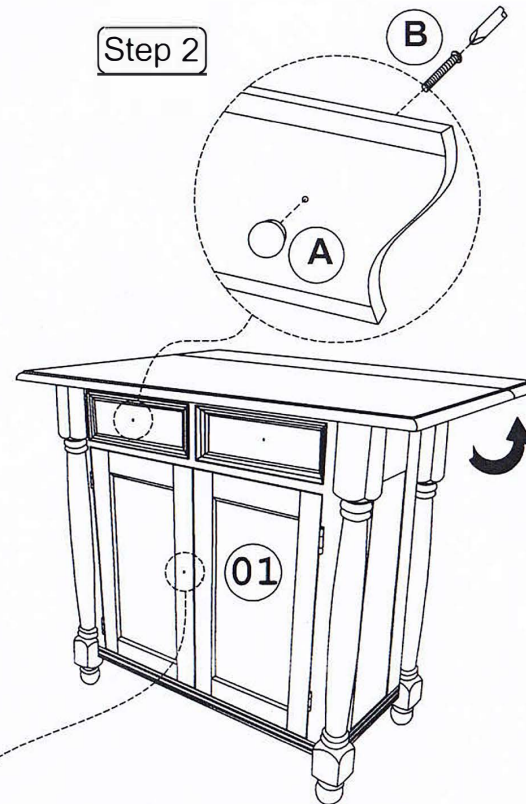
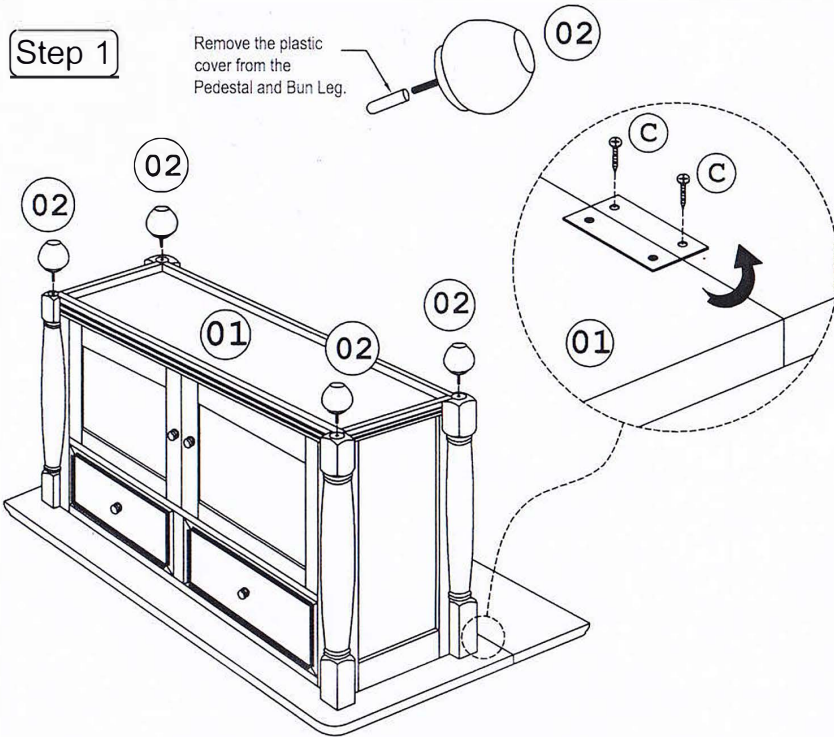


ASSEMBLY INSTRUCTION

DROP LEAF ISLAND

42" L x 22"D x (1-10"Leaf) x 37" HT

Thank You for purchasing this Quality product. It has been engineered for easy assembly yet constructed for durability. Please take the time to read and follow the instructions while assembling.



LIST OF PARTS FOR 1 SET

01		CABINET	1
02		BUN LEG	4

LIST OF HARDWARE FOR 1 SET

A		WOOD HANDLE	4
B		THMS SCREW 5/32" x 25mm	4
C		CSK CB SCREW M3.5 x 16mm	6

! Important Notes

- * Keep all hardware parts out of reach of children.
- * Must tighten screws periodically. With use screws will become loose. Check tightness of all screws every 6-8 weeks.
- * Don't attempt to repair or modify parts that are broken or defective. Please contact the store immediately.
- * Do not tighten all screws / bolts until all completely assembled.