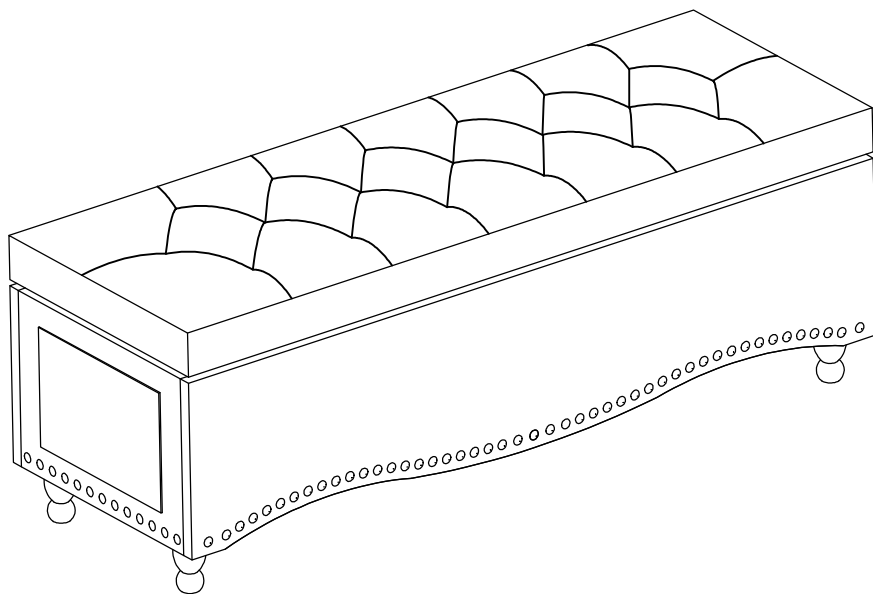


# STORAGE OTTOMAN

## ASSEMBLY INSTRUCTION 6006



If you have any questions, feel free to email us at [zzwservice@gmail.com](mailto:zzwservice@gmail.com).

# THANK YOU

## Register and Get the Full Benefit

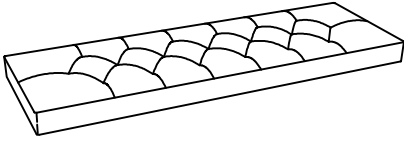
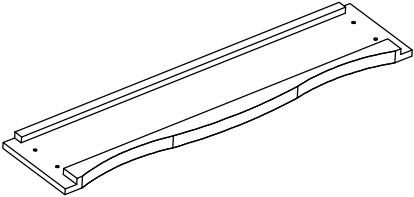
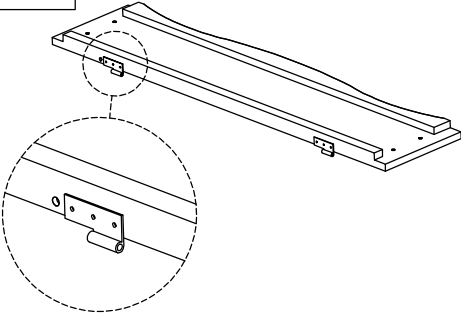
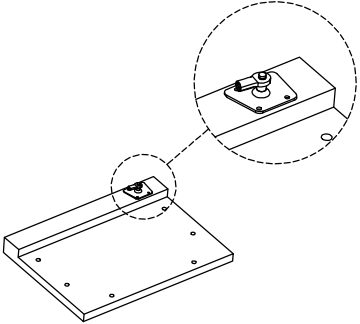
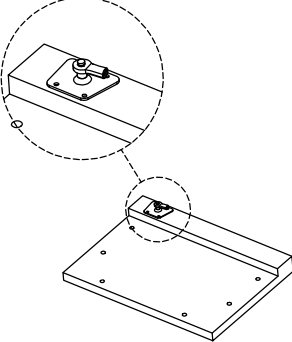
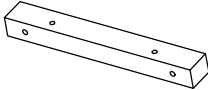
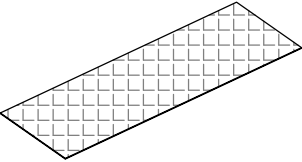
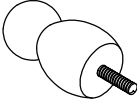
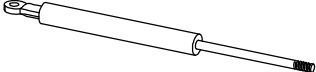
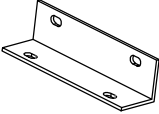
It's our way of saying thank you.

Register your product to enjoy a number of benefits:


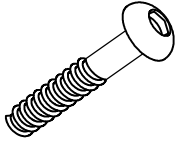
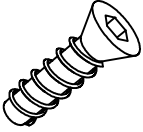

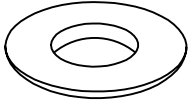
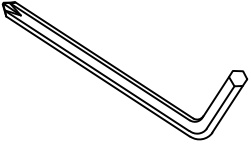

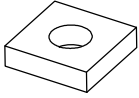
- (1) 1-year warranty extension
- (2) 24-7 quicker service and product support
- (3) Chance to test new products for free
- (4) Get specific discount on shop items

Register Way: Send " your name + order ID " to [zzwservice@gmail.com](mailto:zzwservice@gmail.com)

# Assembly Instruction

<b>A</b>  	<b>B</b>  	<b>C</b>  
1PC	1PC	1PC
<b>D</b>  	<b>E</b>  	<b>F</b>  
1PC	1PC	2PCS
<b>G</b>  	<b>H</b>  	<b>I</b>  
1PC	4PCS	2PCS
<b>J</b>  		
4PCS		

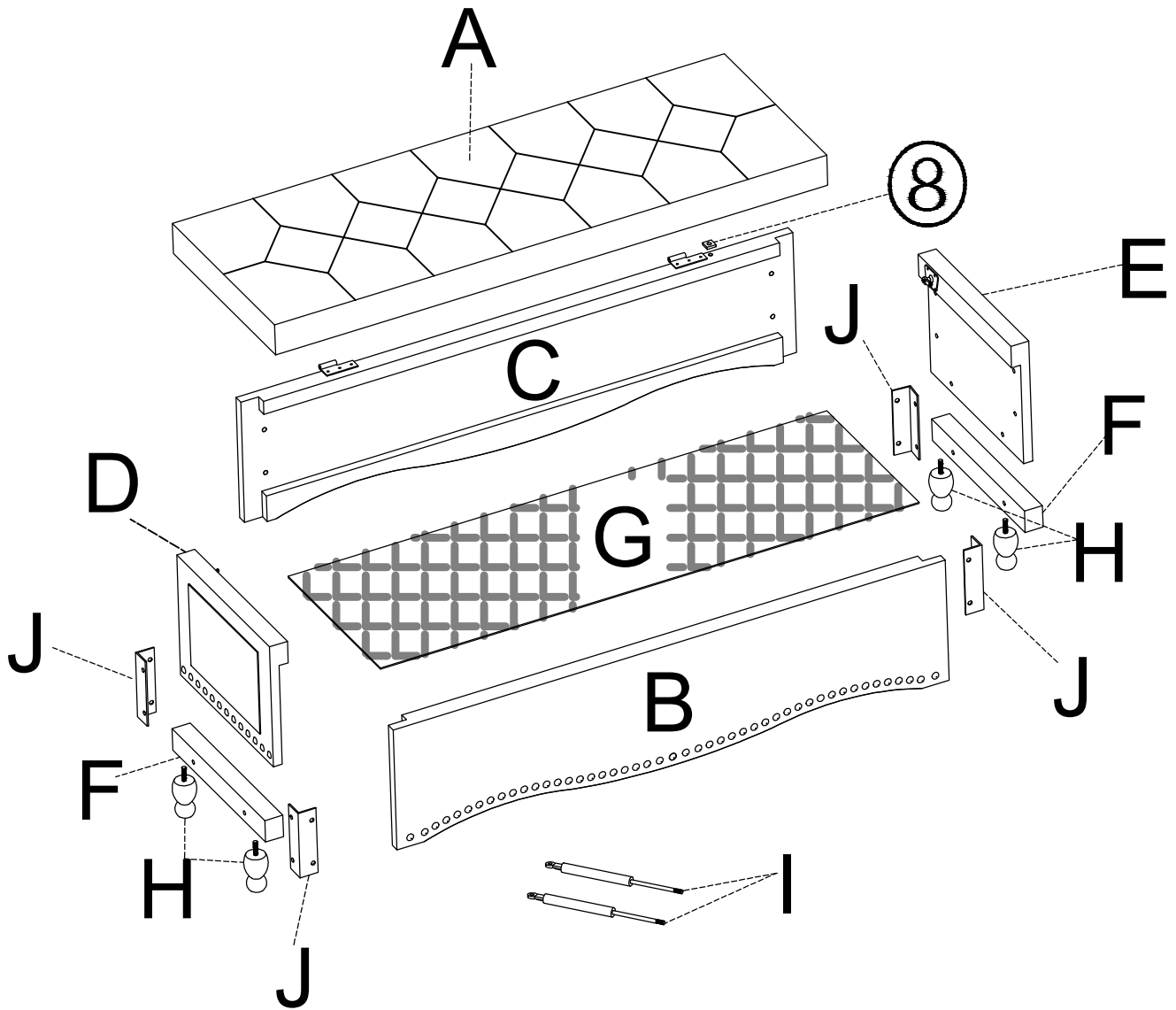
## Assembly Instruction

①		②		③	
M6*14mm		M6*60mm		M6*16mm	
16PCS		4PCS		1PC	
④		⑤		⑥	
2PCS		4PCS		1PC	
⑦		⑧			
4PCS		1PC			

Please note: Check and make sure you get the components on the list, contact us for any missing via [zzwservice@gmail.com](mailto:zzwservice@gmail.com)

PS: All small accessories are placed inside Part E with the red wire (Accessories: F,H,I,J, ①,②,③,④,⑤,⑥,⑦,⑧ )

# Assembly Instruction



# Assembly Instruction

## Step 1

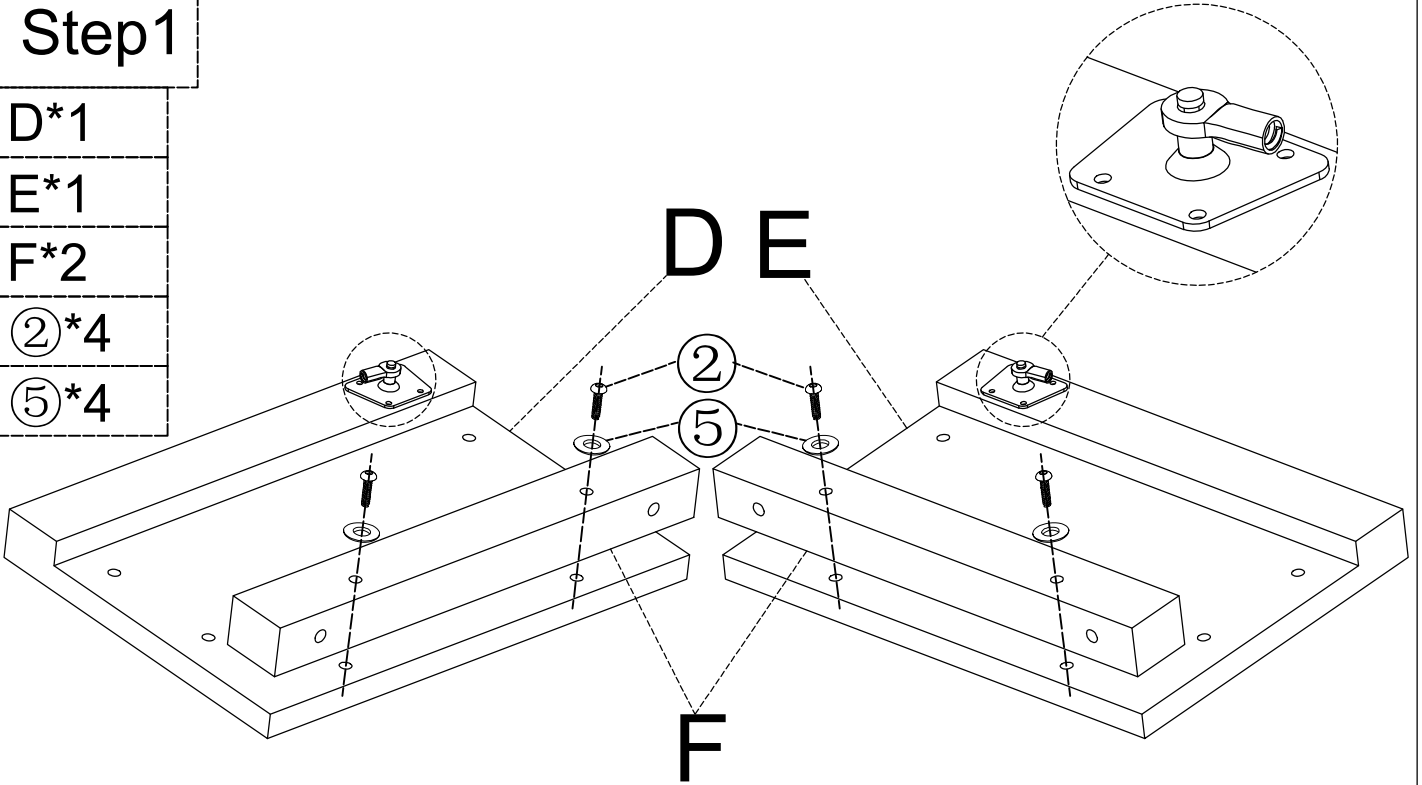
D\*1

E\*1

F\*2

②\*4

⑤\*4

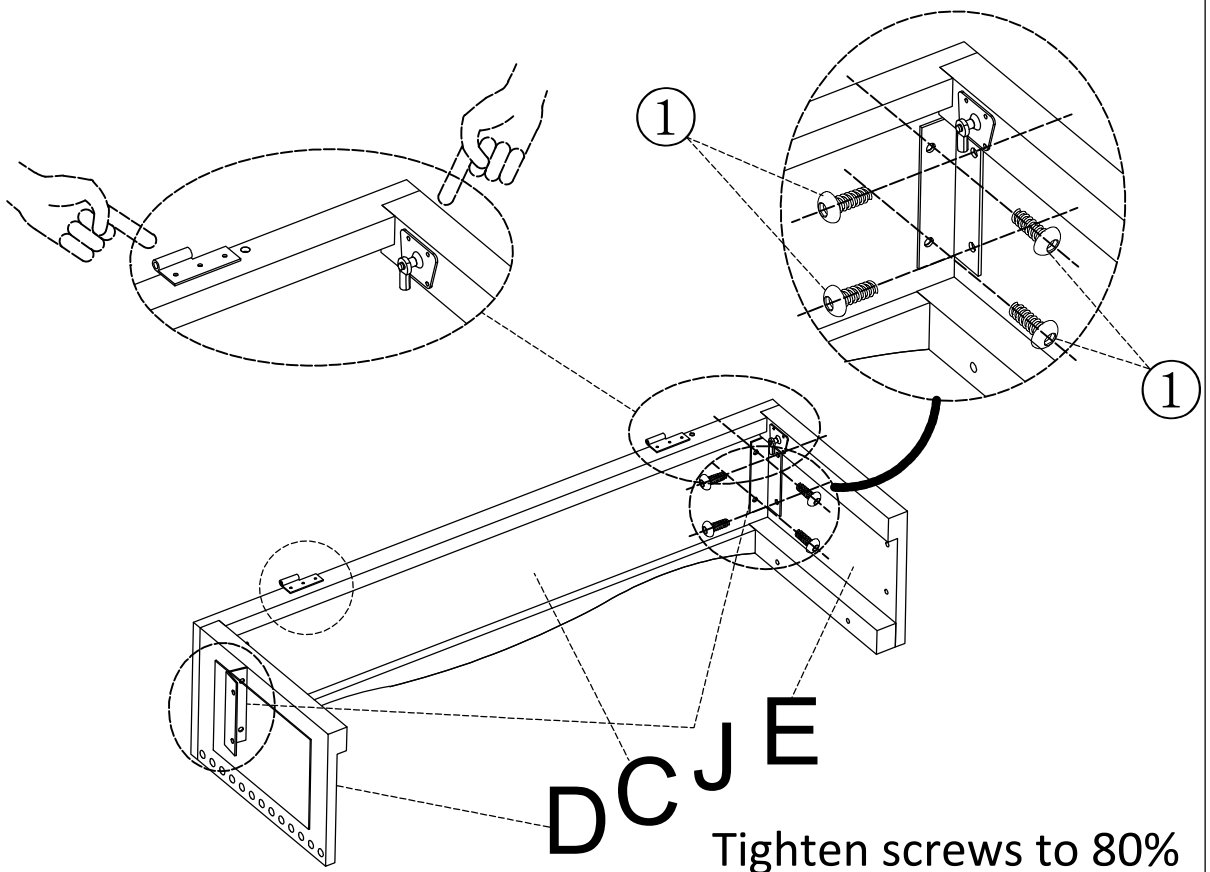


## Step 2

C\*1

J\*2

①\*8



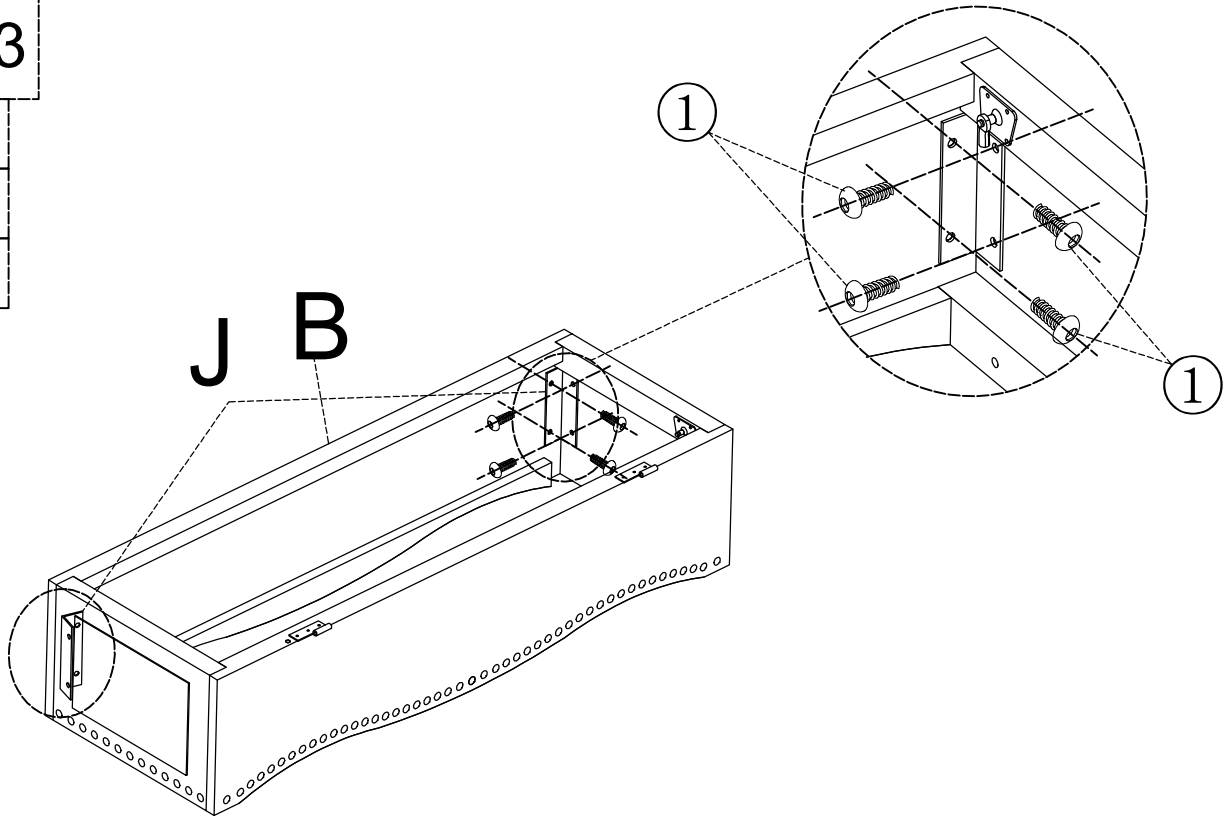
# Assembly Instruction

## Step 3

B\*1

J\*2

①\*8

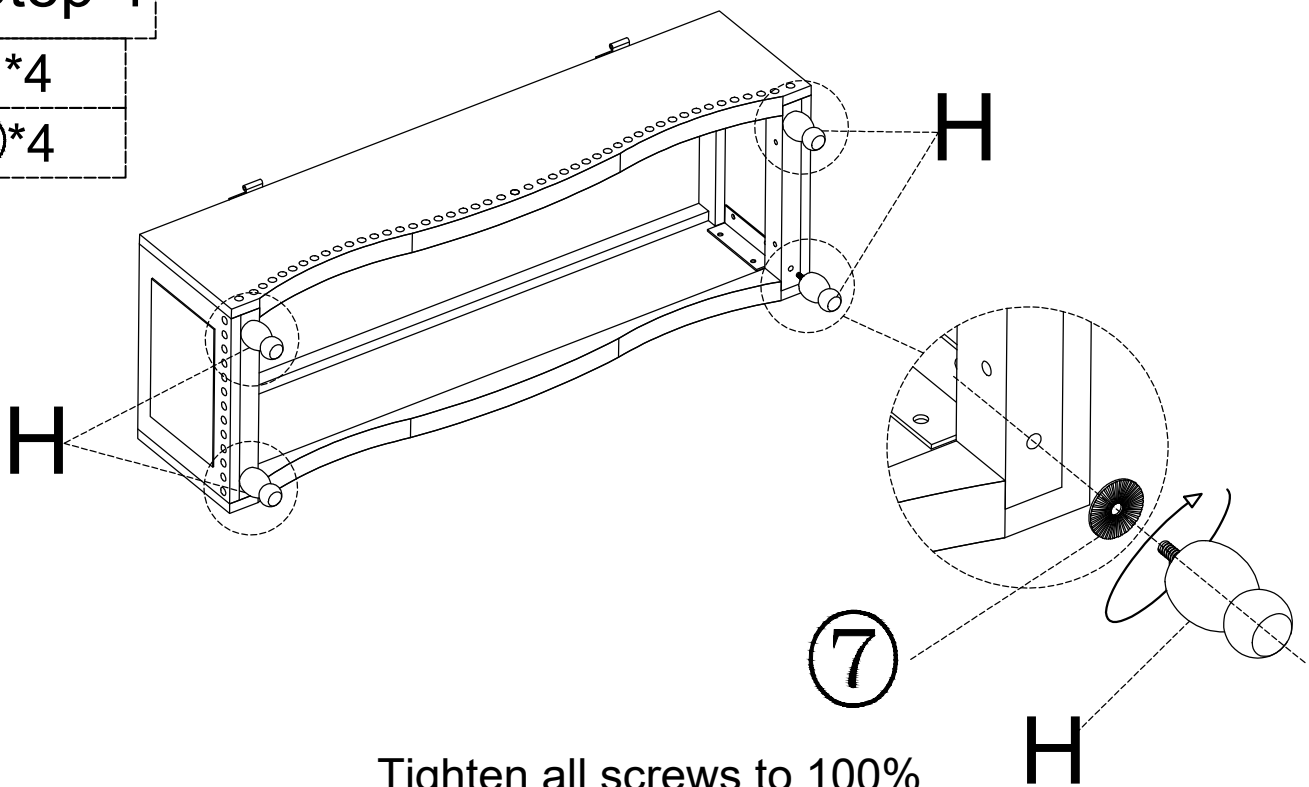


Tighten screws to 80%

## Step 4

H\*4

⑦\*4

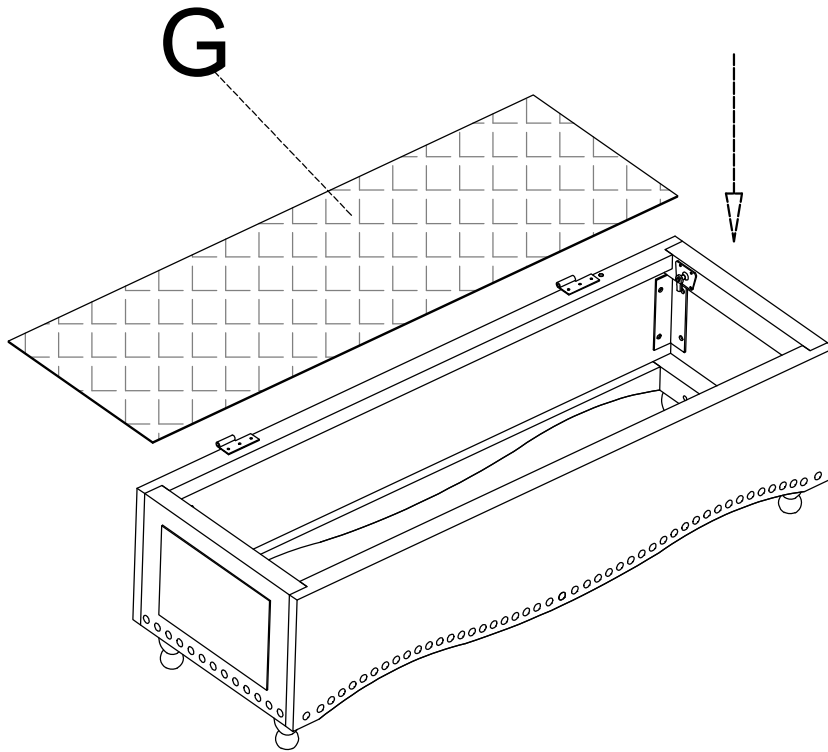


Tighten all screws to 100%

# Assembly Instruction

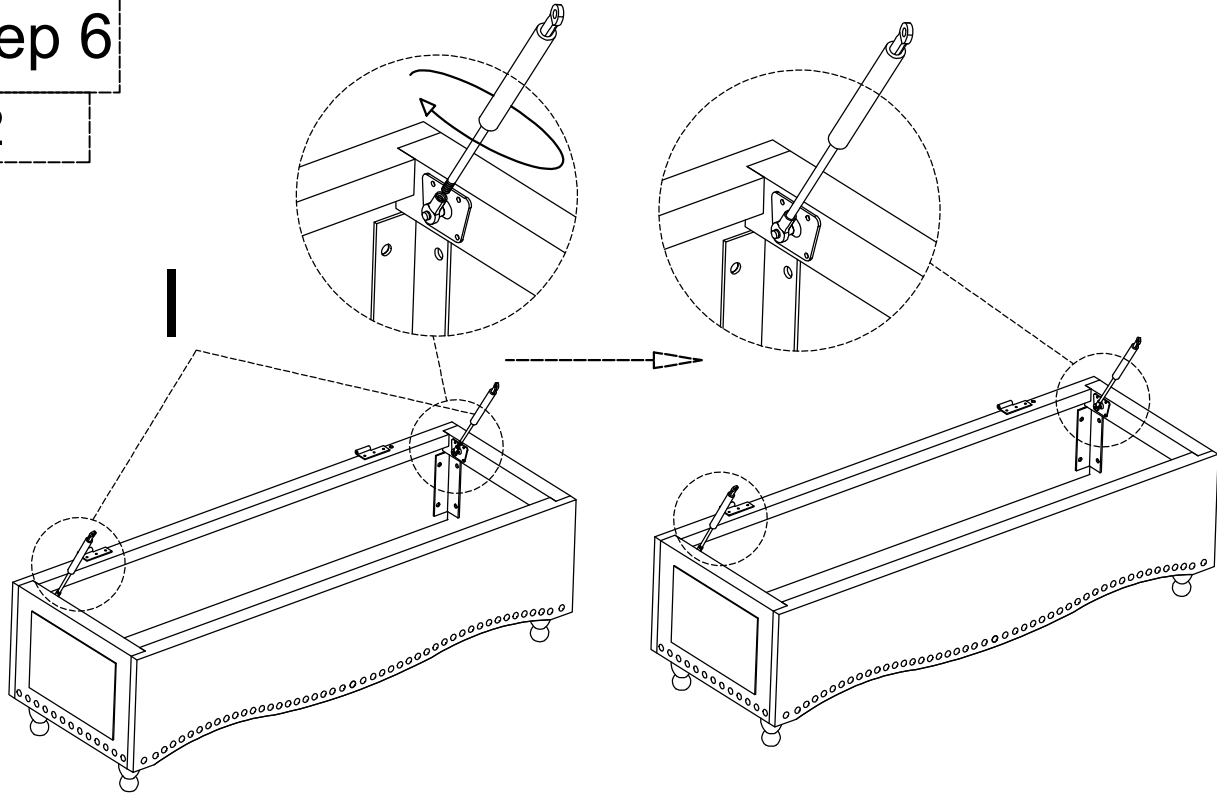
Step 5

G\*1



Step 6

I\*2

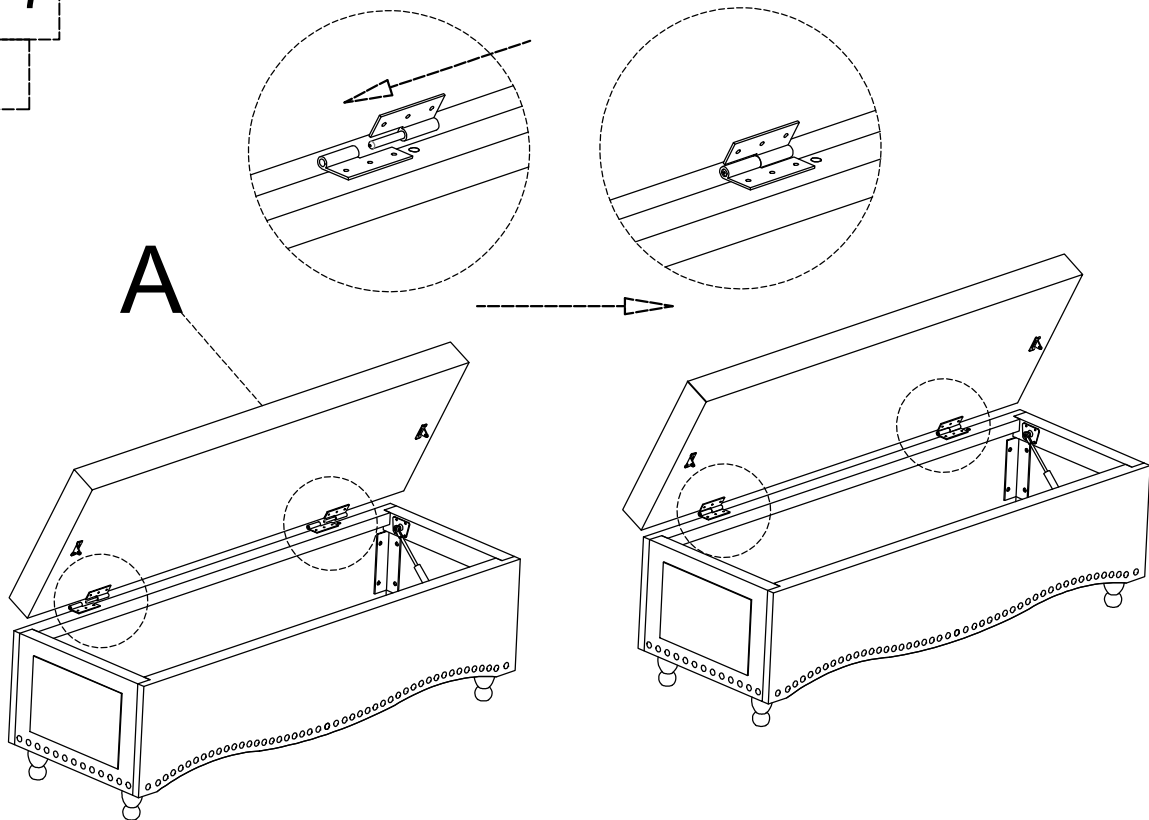


Tighten all screws to 100%

# Assembly Instruction

## Step 7

A\*1

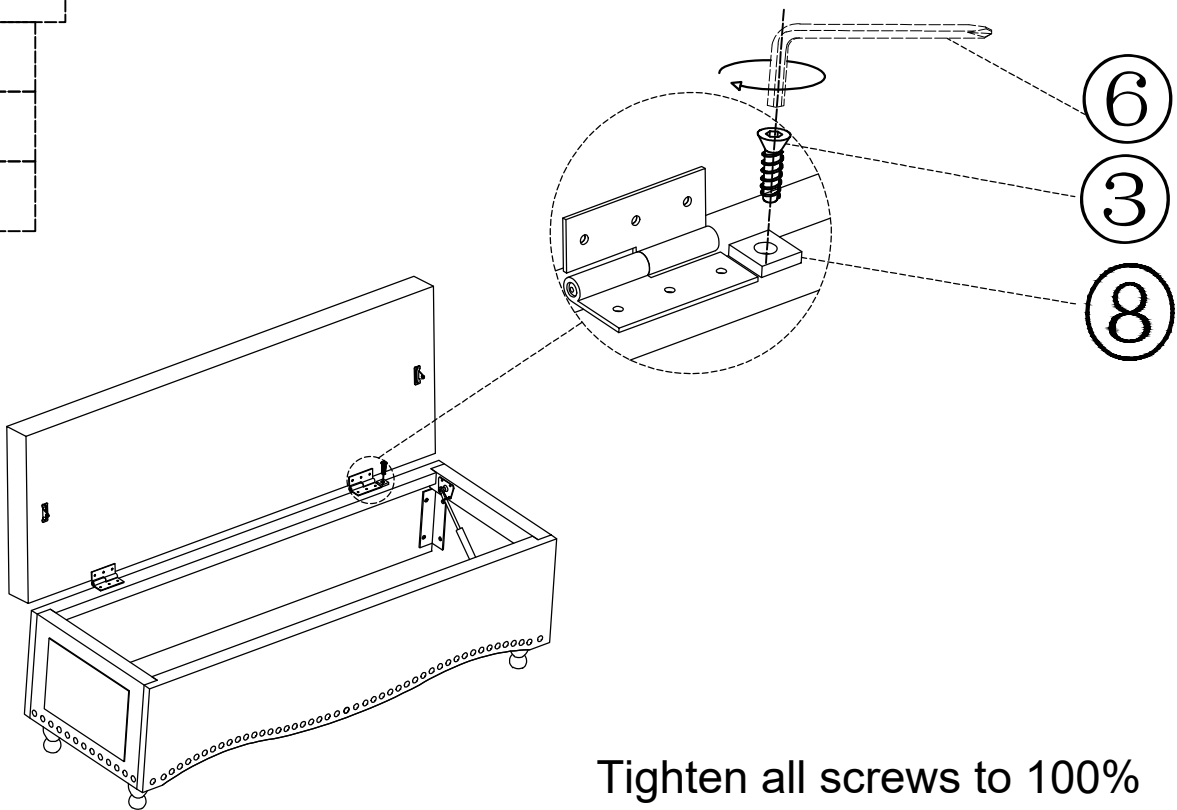


## Step 8

⑧\*1

③\*1

⑥\*1



# Assembly Instruction

## Step 9

④\*2

⑥\*1

