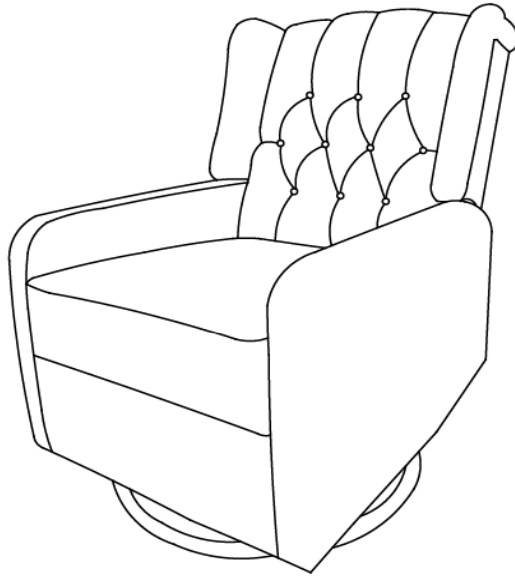


Assembly Instructions

Caution: You must read this before you proceed

Recliner

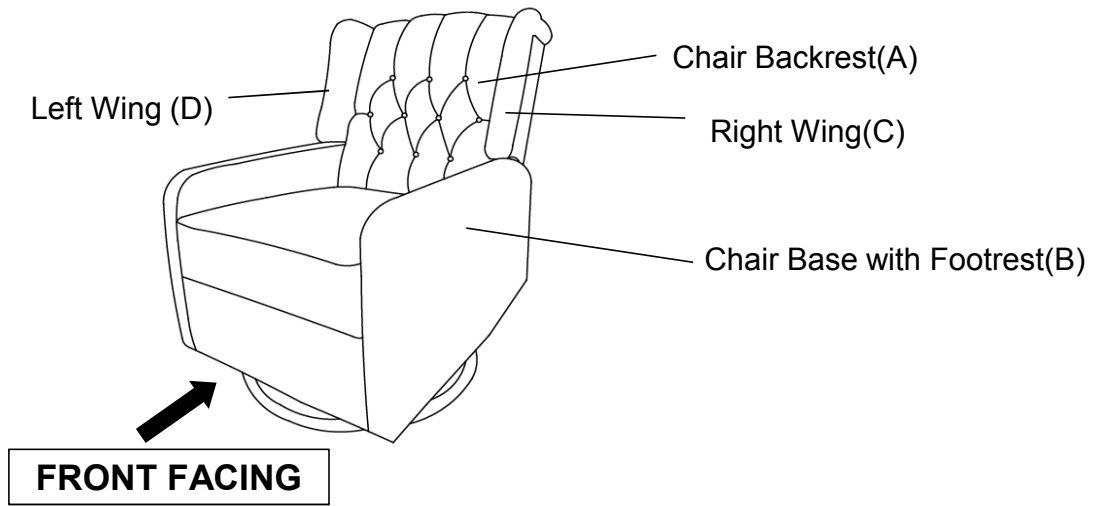


Parts List

Label	Picture	Description	QTY
A	A line drawing of the backrest part, showing the tufted diamond pattern and the top edge of the chair's back.	Backrest	1
B	A line drawing of the base with footrest part, showing the seat, base, and the extended footrest.	Base with Footrest	1
C	A line drawing of the right wing part, showing a curved shape with a small rectangular slot on the inner side.	Right Wing	1
D	A line drawing of the left wing part, showing a curved shape with a small rectangular slot on the inner side.	Left Wing	1

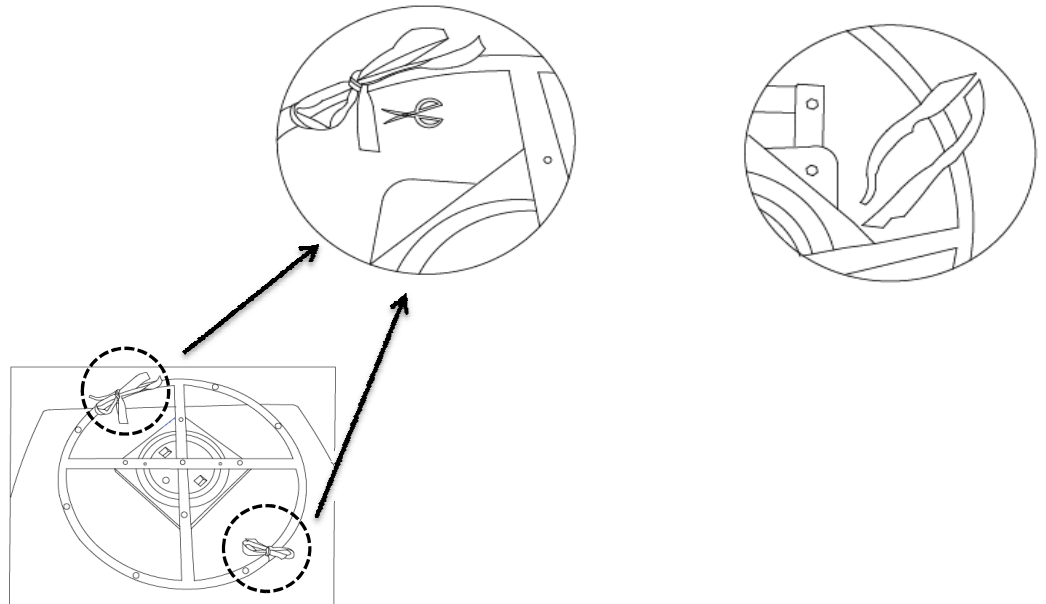
Assembly Steps

Overview



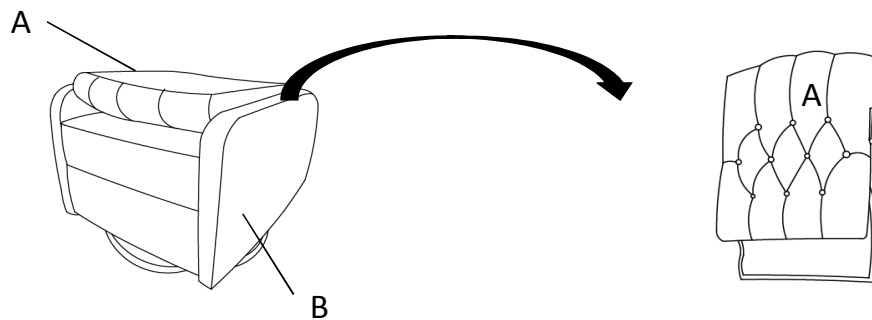
This Recliner has multiple parts and may require up to 30 minutes to assemble. To give you an overview of the Reclining Chair parts, the above picture is to help you put the various parts into perspective. Please read through the instructions below to familiarise yourself with the parts and steps before assembly.

Step 1



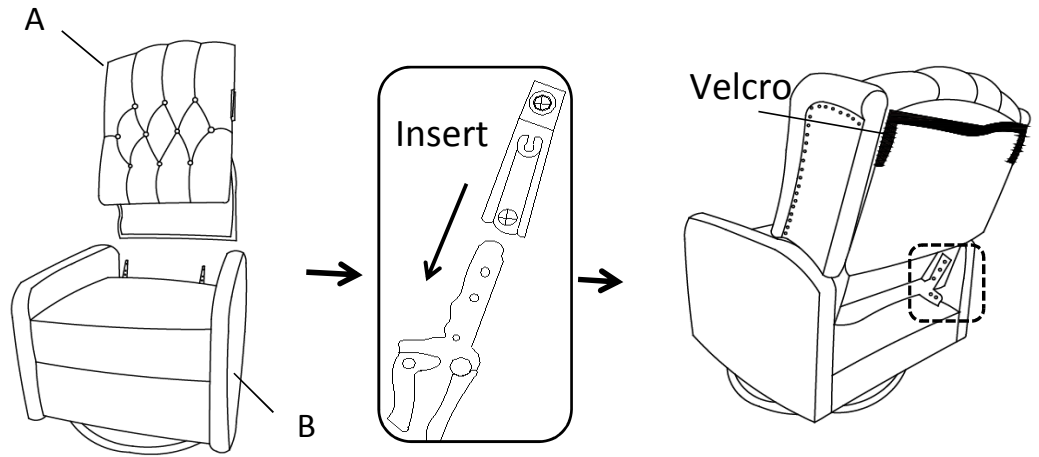
Before using the product, please untie the cloth rope under the mechanism for fixing shaking and swiveling. Please pay attention to safety when operating.

Step 2



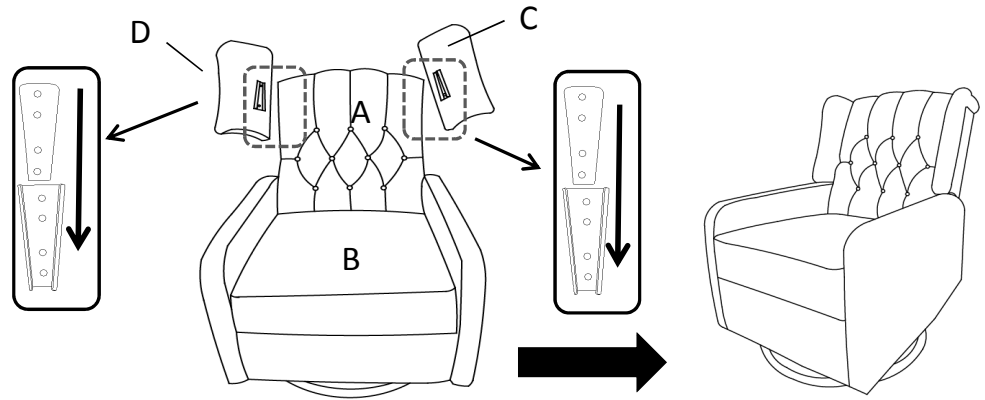
Take out the Chair Backrest(A) from the Chair Base with Footrest(B).

Step 3



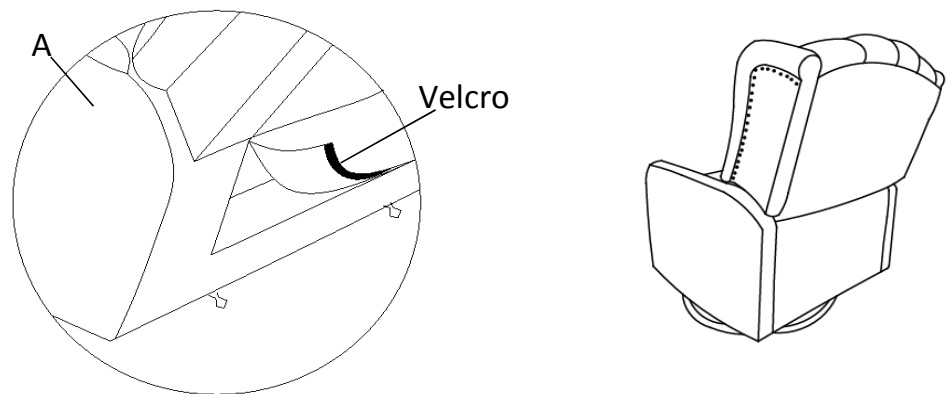
With assistance from your adult partner, hold up the Chair Backrest(A) while standing behind the Chair Base with Footrest(B). Insert the small metal arms on the sides of the Chair Backrest(A) into the prefabricated slide lock gadget on the Chair Base with Footrest(B) as shown above. Firmly but gently, push the Chair Backrest(A) downwards until the Chair Backrest(A) is fully slotted and locked into position.

Step 4



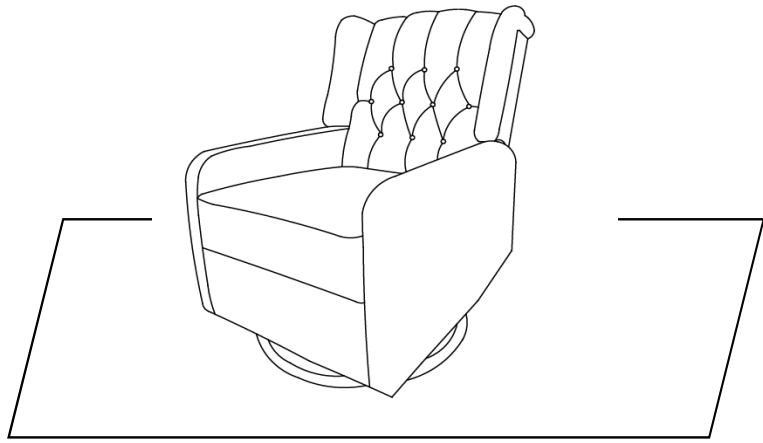
Align the mounting brackets of the Right Wing(C) with those on the Right side of Chair Backrest(A). Then slide Right Wing(C) downward by hand to make sure it locks into the position as shown in the picture. Repeat the same process to attach the Left Wing(D) into the left side of Chair Backrest(A).

Step 5



Smooth down the fabric flap on the Chair Backrest(A). Run your hands down both sides of the flap, from top to bottom, allowing the velcro tape to adhere to the flap under the seat of the Chair.

Step 6



Make sure all parts are connected and securely locked into position.

Your Recliner is ready for use.

This Recliner can only be used on a flat, level surface.