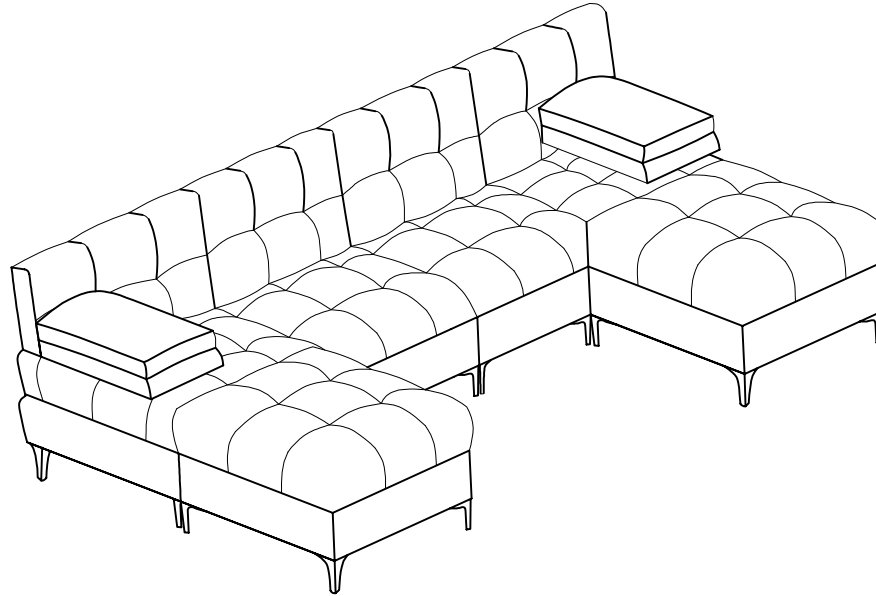


Assembly Instruction



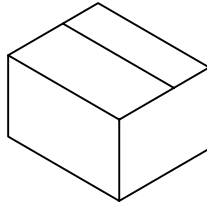
NOTE:

Delivered MULTIPLE PACKAGES with MULTIPLE TRACKINGS, may NOT be delivered at the same time.

Dear customers,

Thank you for purchasing our product. Please read this instruction manual carefully after receiving this product. It will help you assemble this product quickly, safely and correctly. You can keep this manual for future reference.

BOX 1



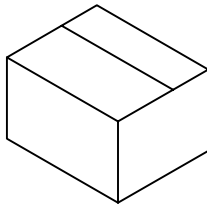
SOFA PART

(B)		Backrest	x2
(E)		Back Frame	x2
(G)		Seat Cushion	x2
(K)		Seat Cushion	x2

HARDWARE PART

(a)		Sofa Leg 13cm	x8
(b)		Connector	x4
(c)		Allen Key	x1
(d)		Washer	x16
(e)		Screw	x16

BOX 2



SOFA PART

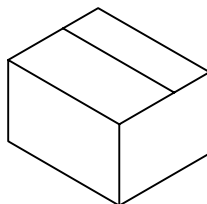
(A)		Backrest(L)	x1
(C)		Backrest(R)	x1
(D)		Back Frame	x2
(F)		Seat Cushion(L)	x1

HARDWARE PART

(H)		Seat Cushion(R)	x1
(J)		Sofa Base(L)	x1
(L)		Sofa Base(R)	x1
(N)		Armrest Pad	x2

(a)		Sofa Leg 13cm	x8
(b)		Connector	x4
(c)		Allen Key	x1
(d)		Washer	x16
(e)		Screw	x16

BOX 3



SOFA PART

(G)		Seat Cushion	x2
(M)		Ottoman Base	x2

HARDWARE PART

(a)		Sofa Leg 13cm	x8
(b)		Connector	x4
(c)		Allen Key	x1
(d)		Washer	x16
(e)		Screw	x16



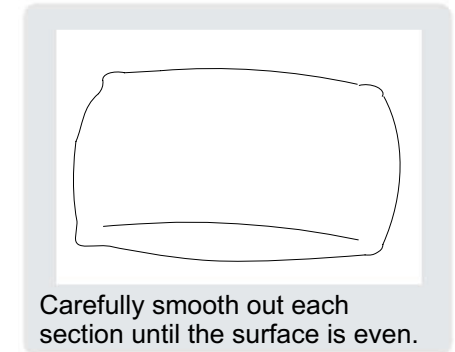
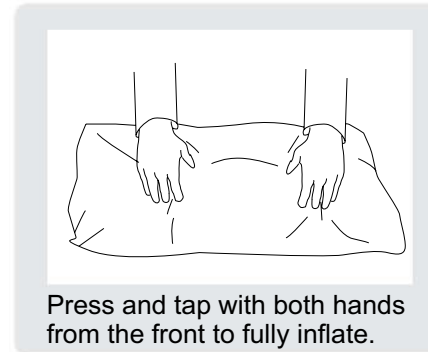
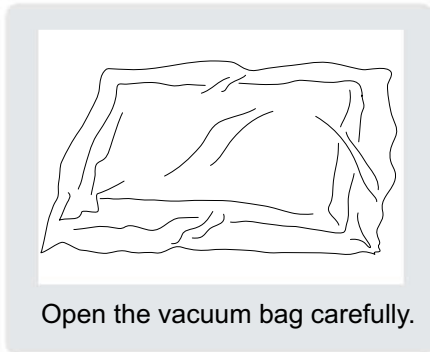
Safety and Care Advice

Important - Please read these instructions fully before starting assembly

Thanks for your purchase. Before the assembly, please follow the instructions to check if all the spare parts and screws are intact.

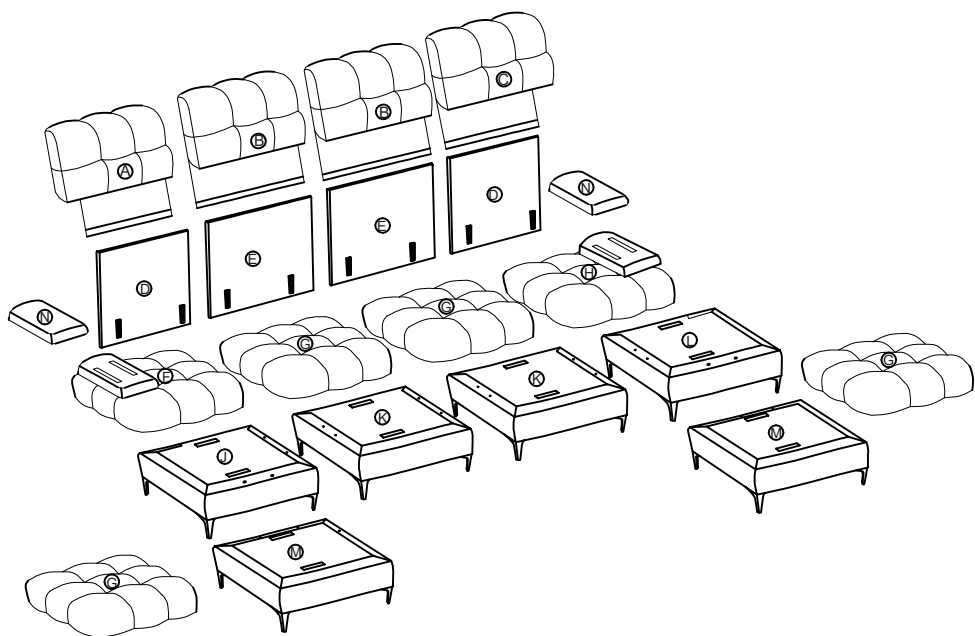
- Considering the size and weight of the sofa, we recommend two adults to assemble the sofa, on a carpeted or padded area in the room that it is intended for. Approximate assembly time: 30 minutes.
- Keep all components and packaging out of reach of children or animals to avoid the risk of choking or suffocation.
- Please do not throw away any of the packaging or instruction until all the components and hardware have been checked and the furniture is fully assembled. Please ensure that the packaging is disposed in a safe and environmentally friendly way.
- Please do not take off the cover, and do not wash.

Your cushions come vacuum packed and sealed for shipping. To restore the cushion's original shape, follow the steps below.








After packing up, place them somewhere dry and ventilated. After about 72-96 hours, it can be restored to its best-use condition.

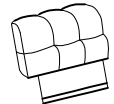
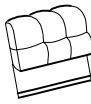
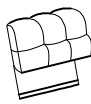
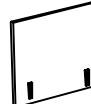



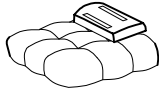
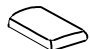
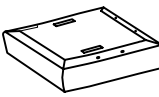
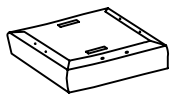
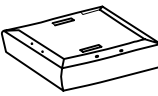

SOFA



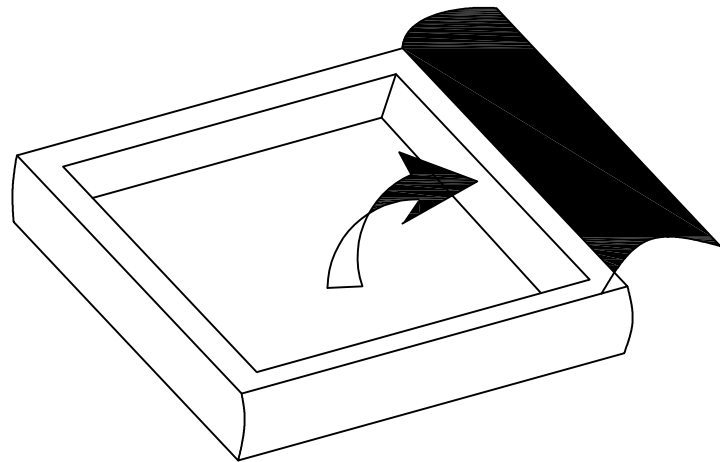
Hardware parts

a Sofa Leg 13cm  x24	b Connector  x12	c Allen Key M6  x3	d Washer φ8*18*1.2MM  x48	e Screw M8*20MM  x48
--	---	--	---	--

Main structure accessories





A Backrest(L)  x1	B Backrest  x2	C Backrest(R)  x1	D Back Frame  x2	E Back Frame  x2
F Seat Cushion(L)  x1	G Seat Cushion  x4	H Seat Cushion(R)  x1	I Armrest Pad  x2	J Sofa Base(L)  x1
K Seat Cushion  x2	L Sofa Base(R)  x1	M Ottoman Base  x2		

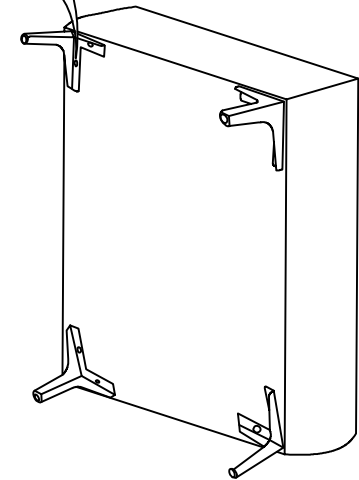
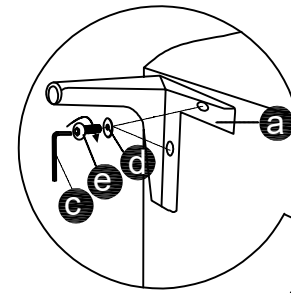
STEP 1







Take out of the accessories from the bottom of J、K、L、M.

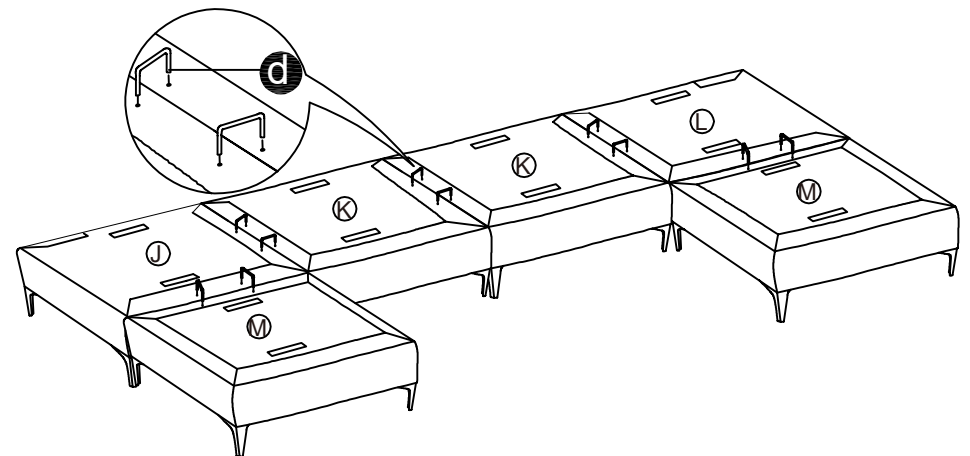
STEP 2

- J**  x1
- K**  x2
- L**  x1
- M**  x2

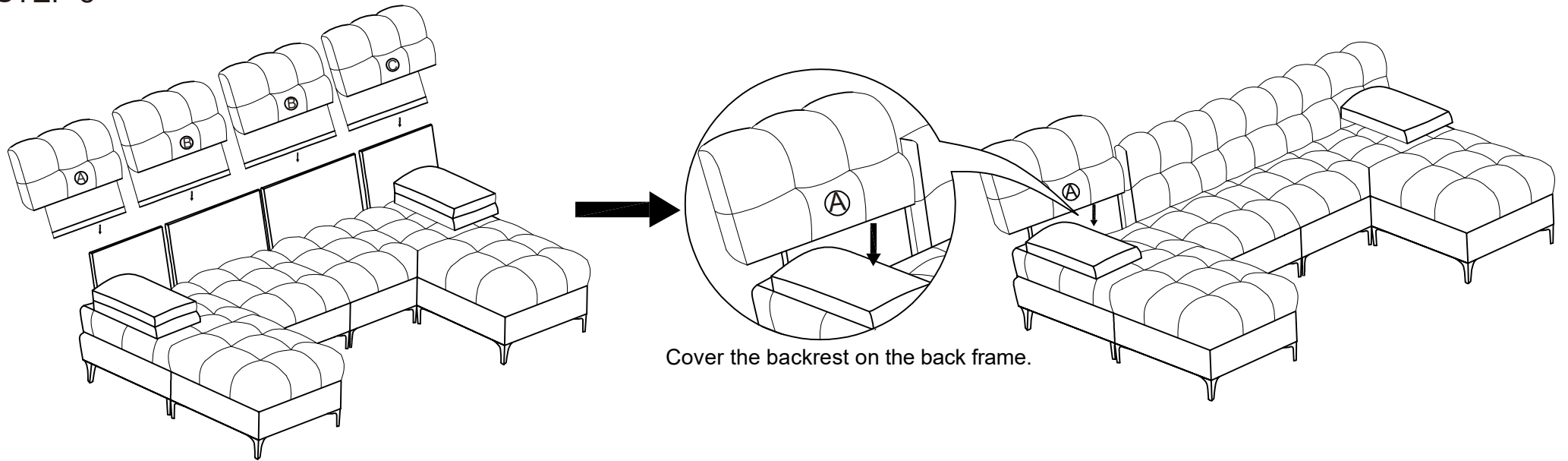


- a**  x24
- d**  x48
- c**  x3
- e**  x48

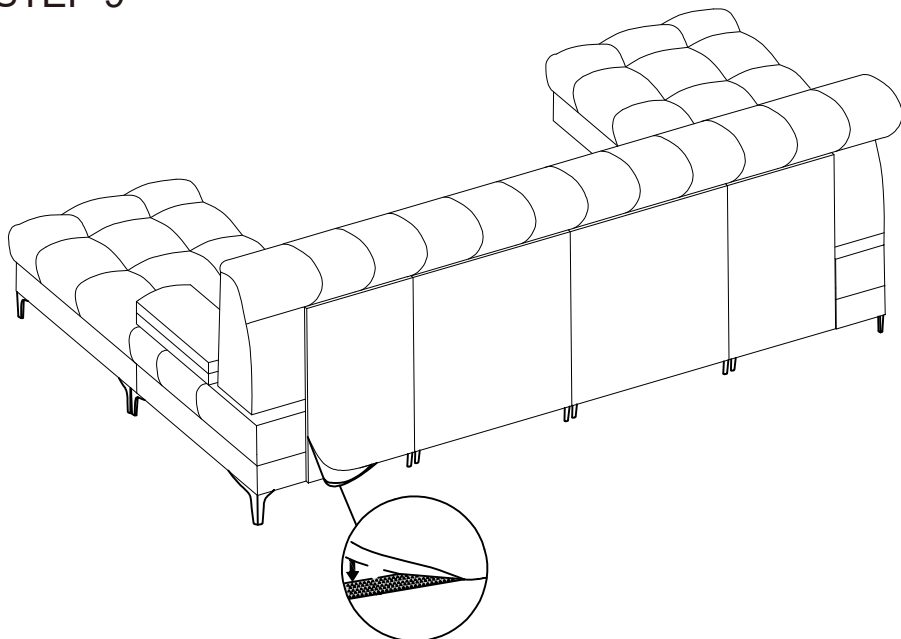
STEP 3



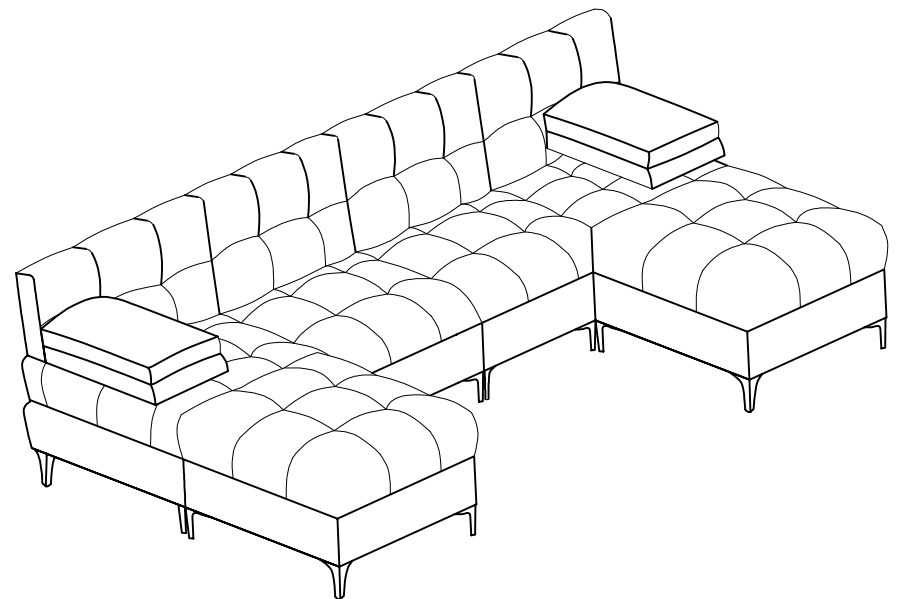
STEP 8



STEP 9

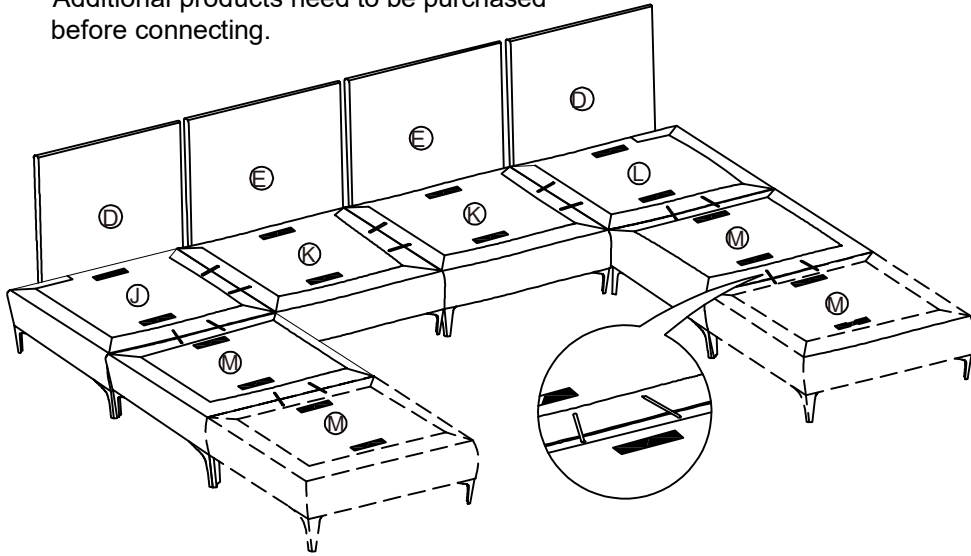


STEP 10



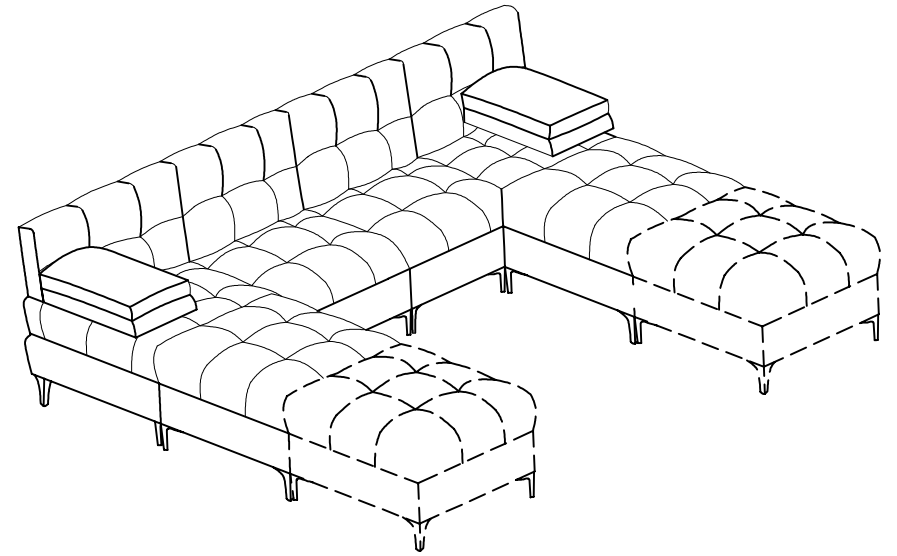
STEP 11

Additional products need to be purchased before connecting.



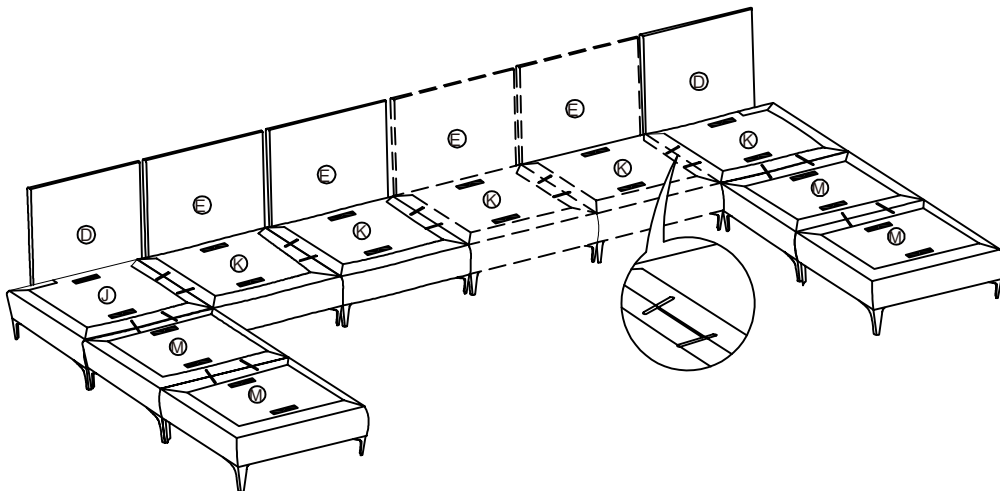
STEP 12

Additional products need to be purchased before connecting.



STEP 13

Additional products need to be purchased before connecting.



STEP 14

Additional products need to be purchased before connecting.

