

CHAIR

ASSEMBLY INSTRUCTION



Assembly Instruction


ASSEMBLY TIPS:




- 1: Remove hardware from box and sort by size .
- 2: Please check to see that all hardware and parts are present prior start of assembly.
- 3: Please follow attached instructions in the same sequence as numbered to assure fast & easy assembly .

⚠ WARNING!

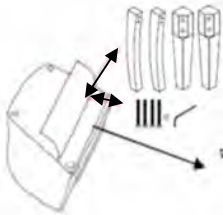
- 1: Don't attempt to repair or modify parts that are broken or defective please contact the store immediately .
- 2: This product is for home use only and not intended for commercial establishment .

PARTS IDENTIFICATION:

A. CHAIR		1PC
B. BACK LEGS		2PCS
C. FRONT LEGS		2PCS

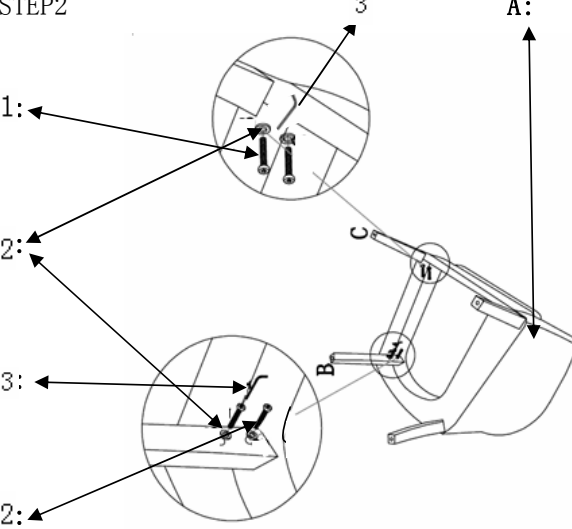
Z	HARDWARE IDENTIFICATION		
	DESCRIPTION	FIGURE	Q TY
1	ALLEN BOLT $\varnothing 8 \times 45 \text{MM}$		8PCS
2	WASHER		8PCS
3	ALLEN WRENCH		1PCS

STEP1



THE LEGS AND HARDWARE ARE INSIDE OF THE CUSHION

STEP2



STEP3

