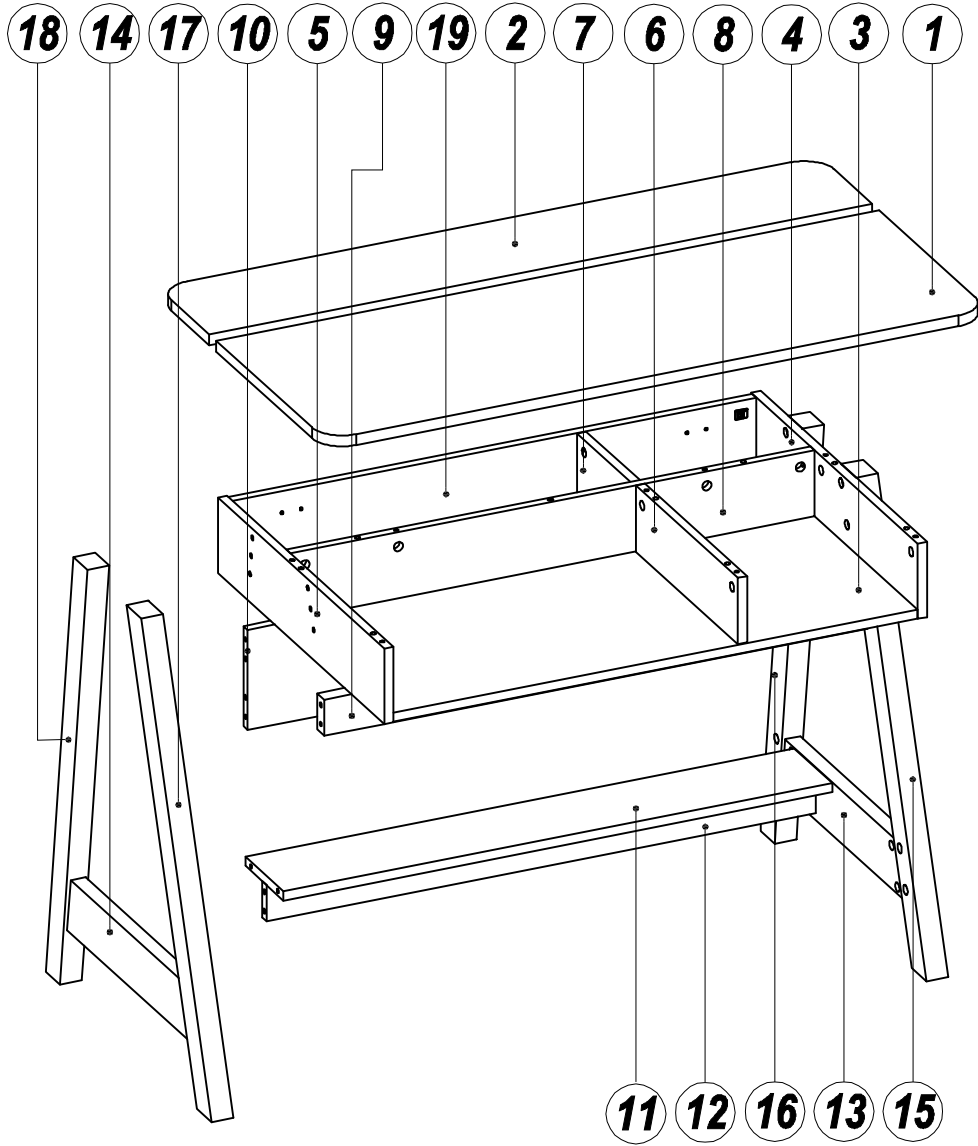
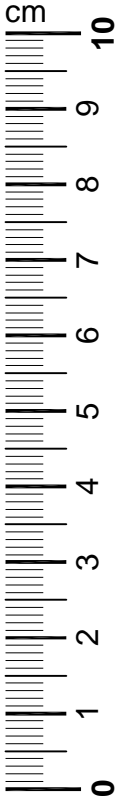
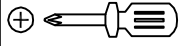
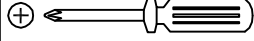
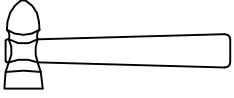
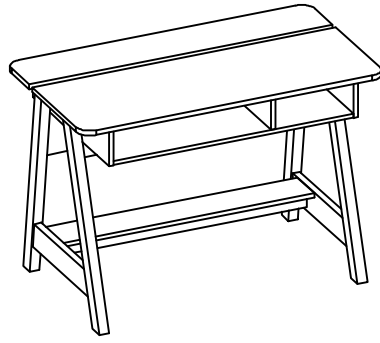
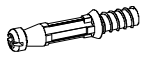

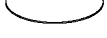


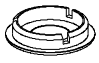

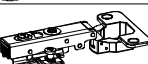
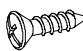
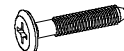


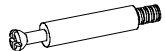

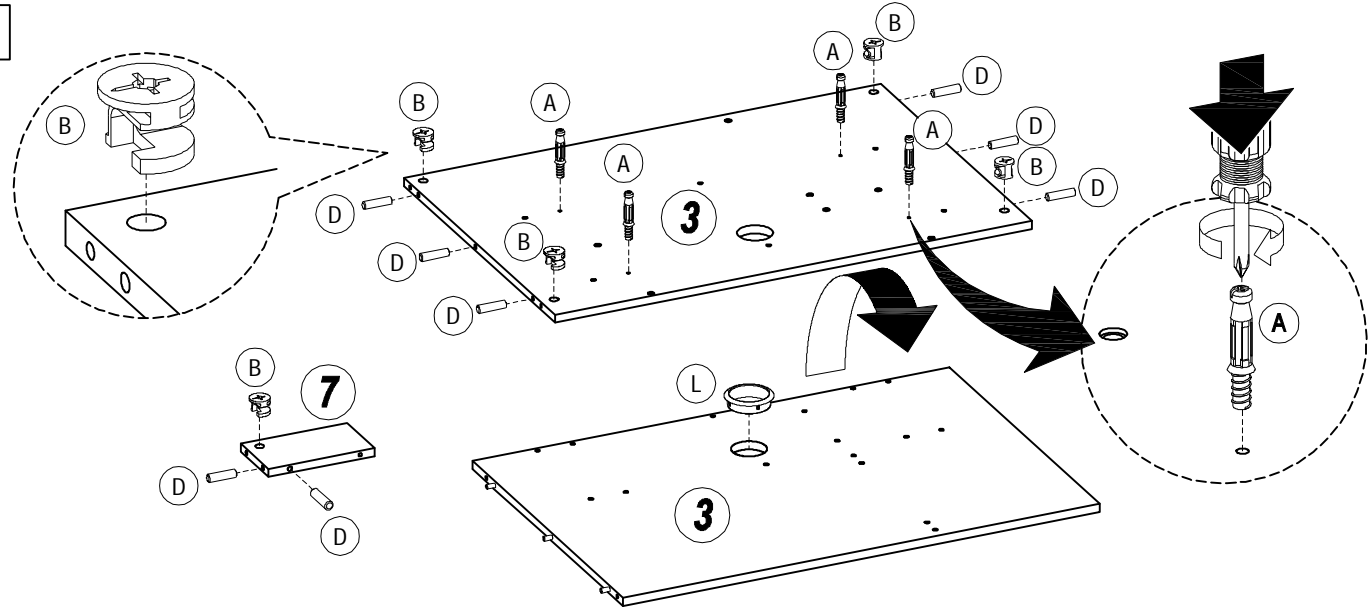




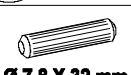

60
MNT



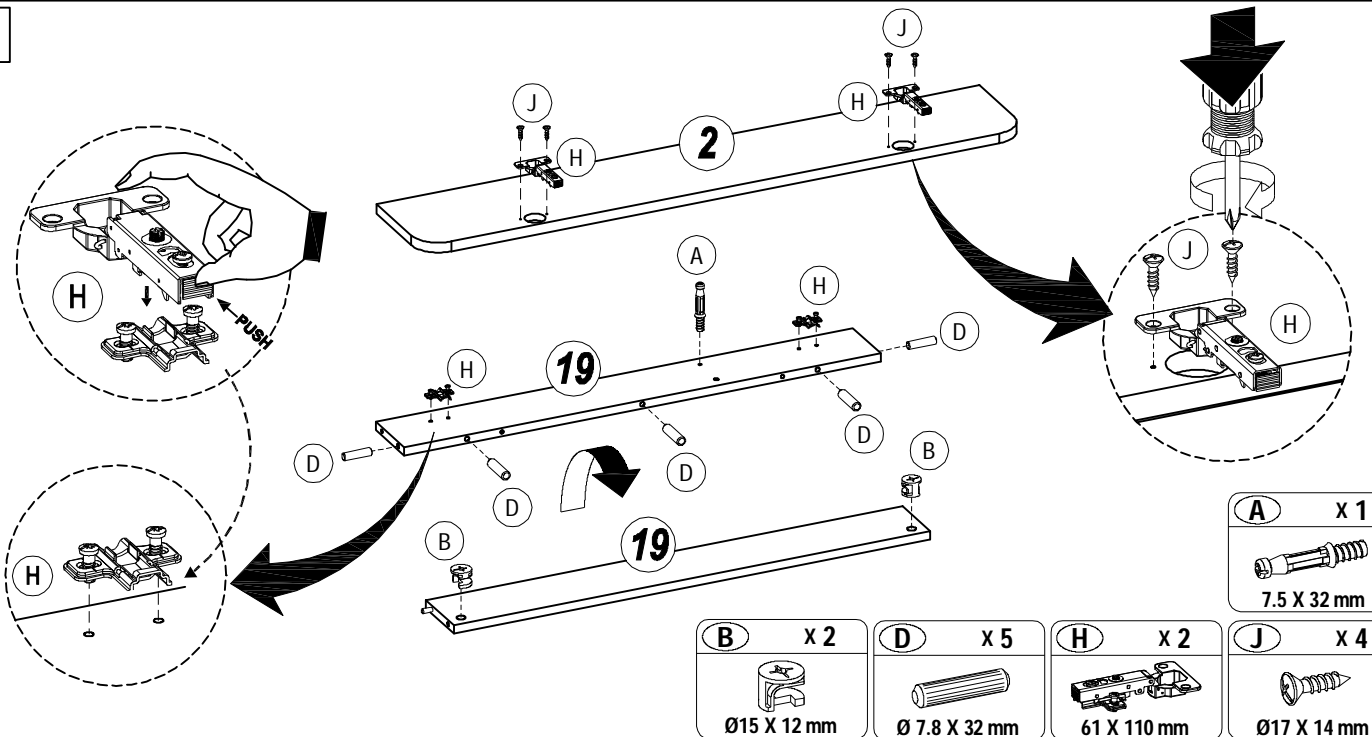
A x 33  7.5 X 32 mm	B x 41  Ø15 X 12 mm	C x 16  Ø25 mm	D x 52  Ø 7.8 X 32 mm	E x 4  Ø 7.8 x 40 mm	F x 8  Ø17 mm	G x 7  Ø10 X 50 mm
H x 2  61 X 110 mm	J x 4  Ø17 X 14 mm	K x 8  Ø13 X 30 mm	L x 1  Ø69 X 19 mm	M x 8  Ø15 X 10 mm	N x 8  M6 X 42 mm	P x 4  Ø20 X 22 mm



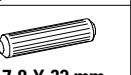
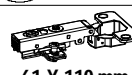

1



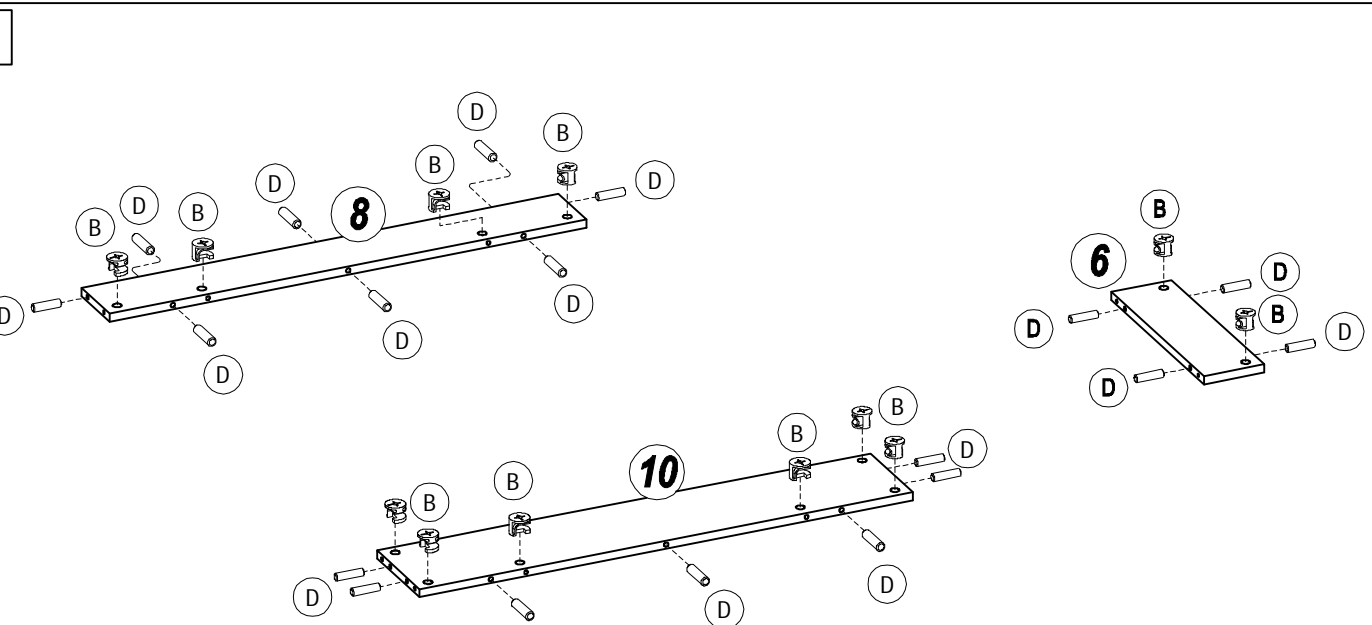
A x4	B x5	D x8	L x1
 7.5 X 32 mm	 Ø15 X 12 mm	 Ø7.8 X 32 mm	 Ø69 X 19 mm


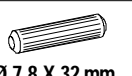
2



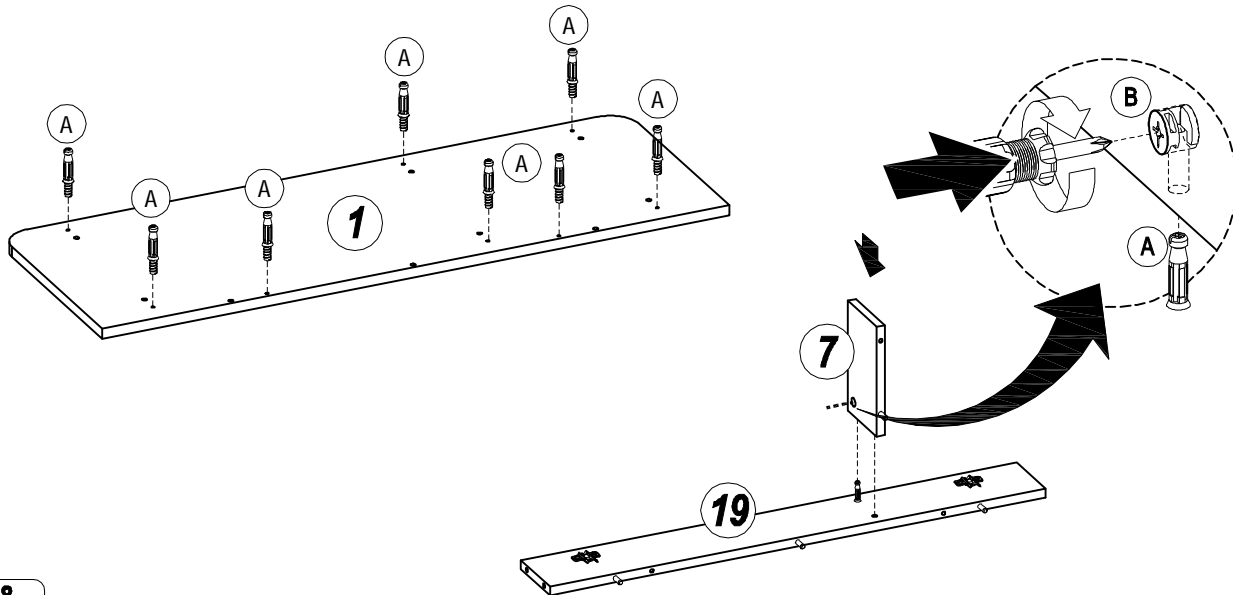
A x1	B x2	D x5	H x2	J x4
 7.5 X 32 mm	 Ø15 X 12 mm	 Ø7.8 X 32 mm	 61 X 110 mm	 Ø17 X 14 mm

3



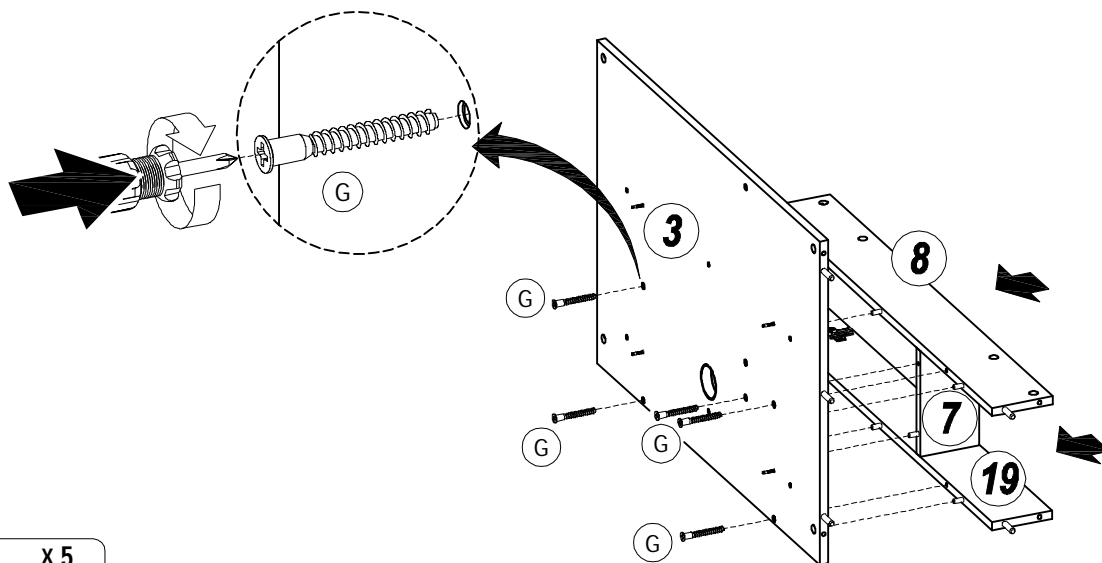
B x12	D x19
 Ø15 X 12 mm	 Ø7.8 X 32 mm

4



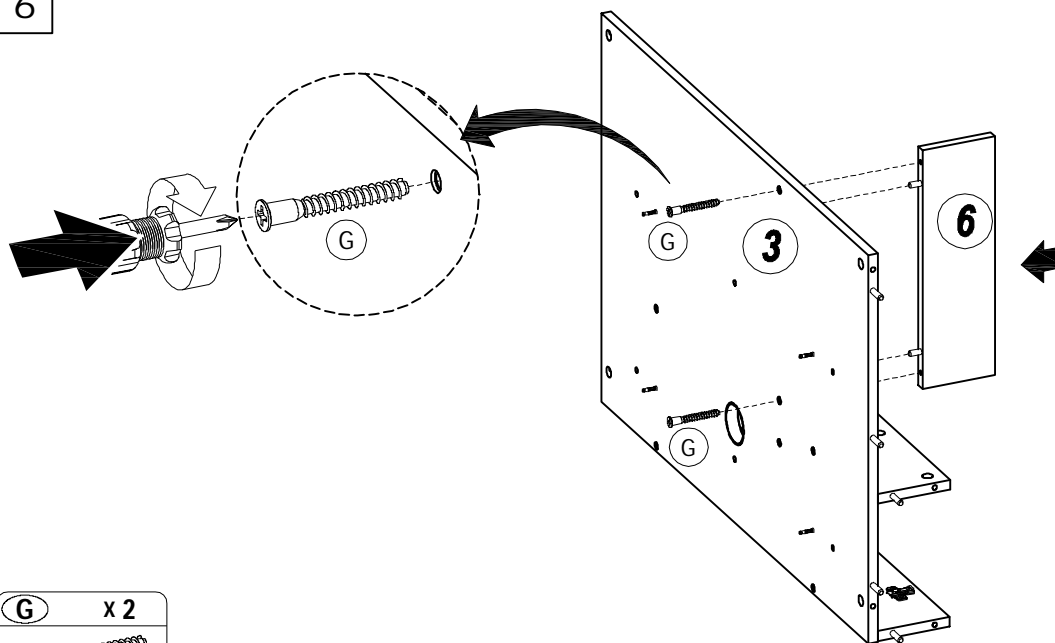
A x 8
 7.5 X 32 mm

5



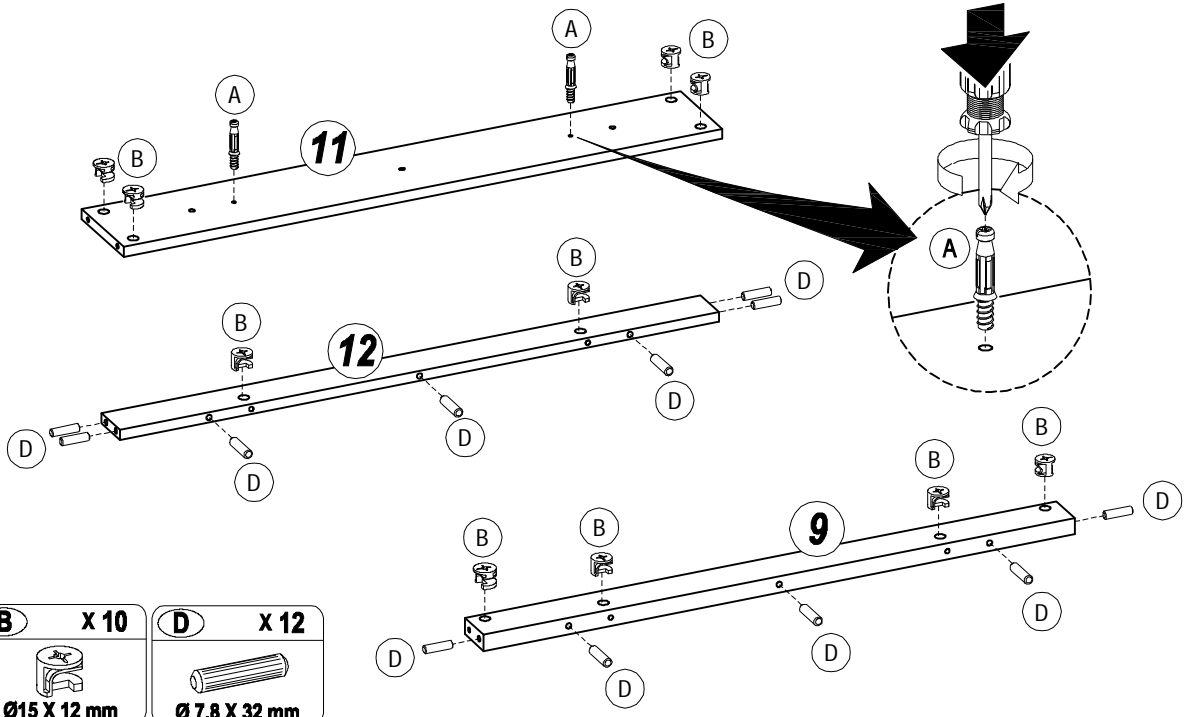
G x 5
 Ø10 X 50 mm

6

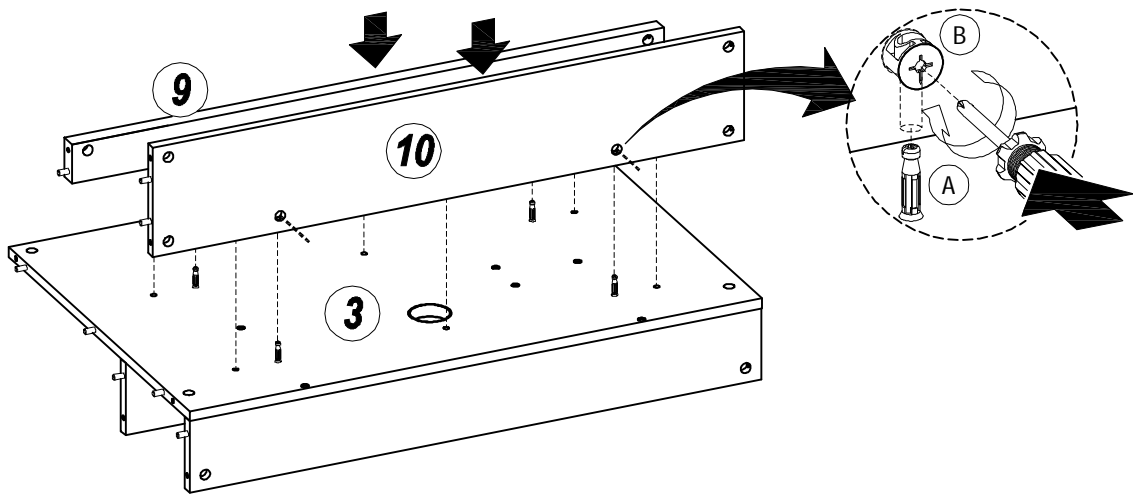


G x 2
 Ø10 X 50 mm

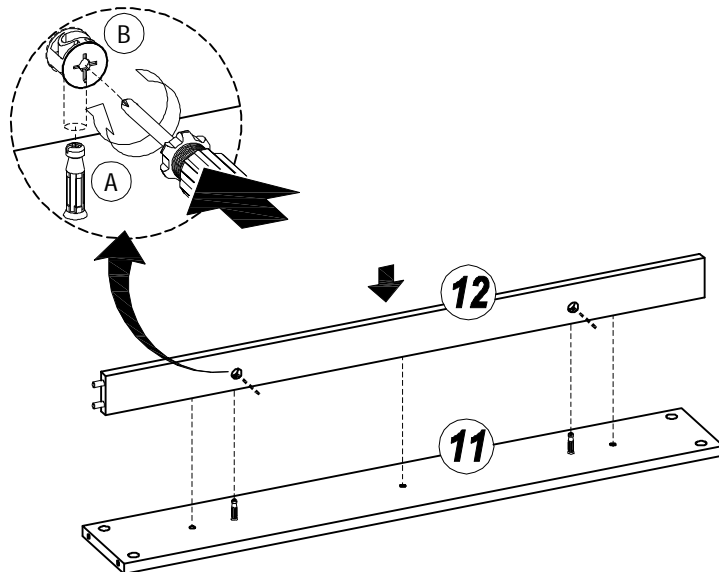
7



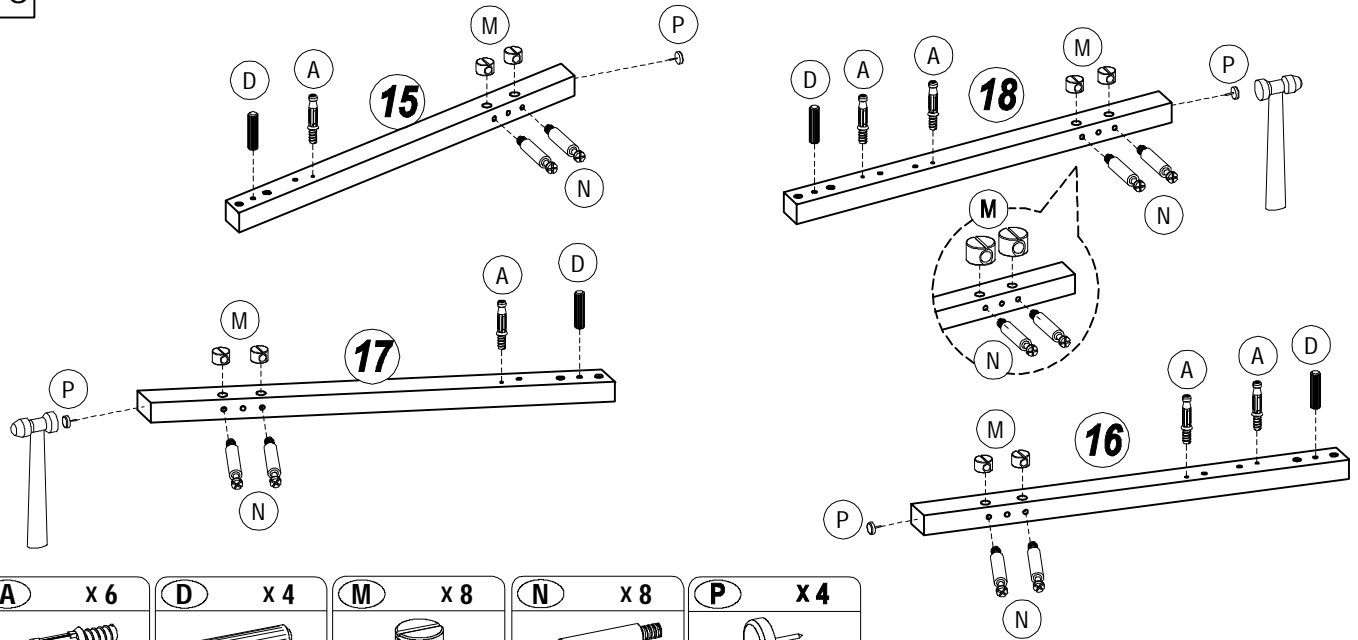
8

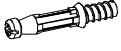


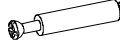



9

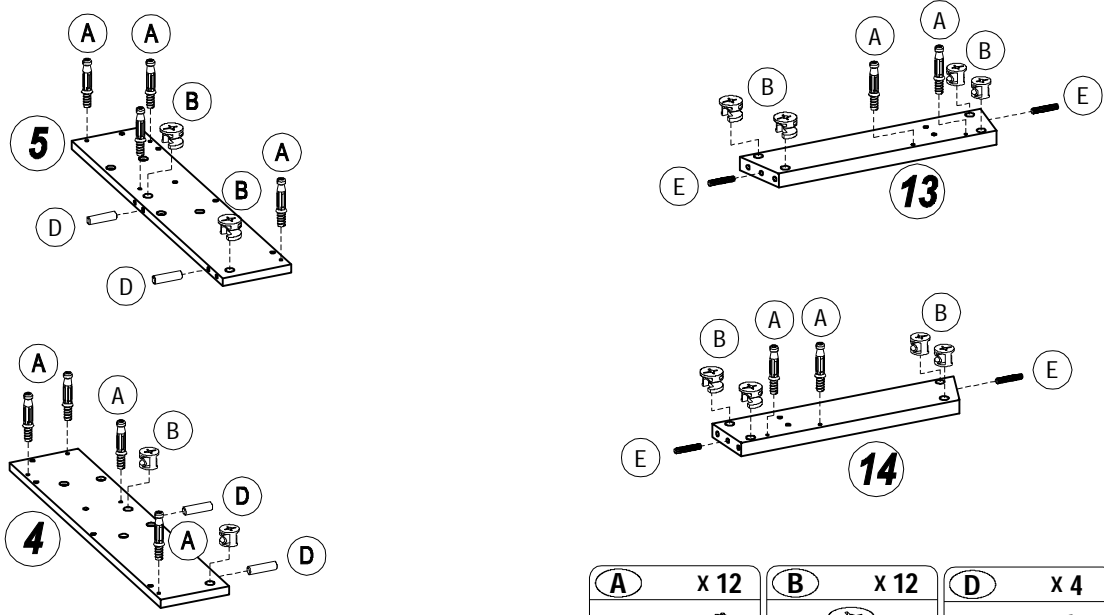


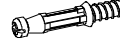

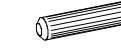
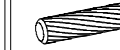
10



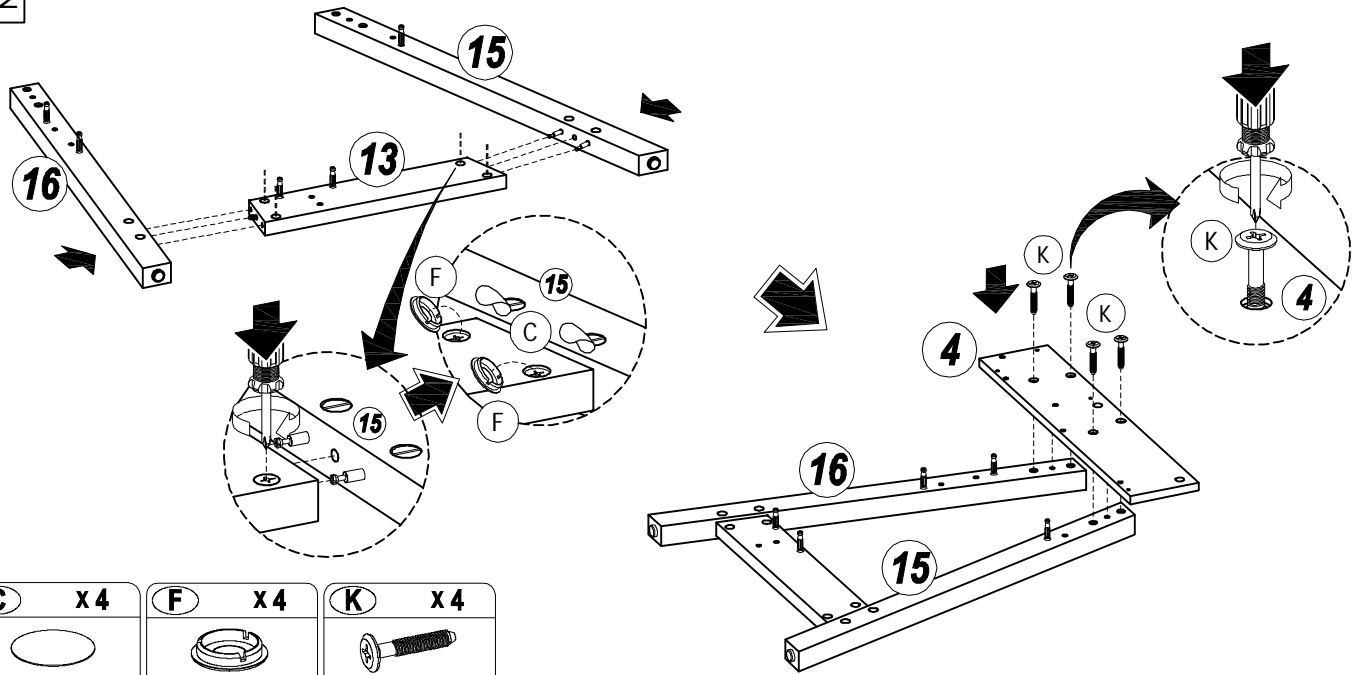
A x 6	D x 4	M x 8	N x 8	P x 4
 7.5 X 32 mm	 Ø 7.8 X 32 mm	 Ø15 X 10 mm	 M6 X 42 mm	 Ø20 X 22 mm




11



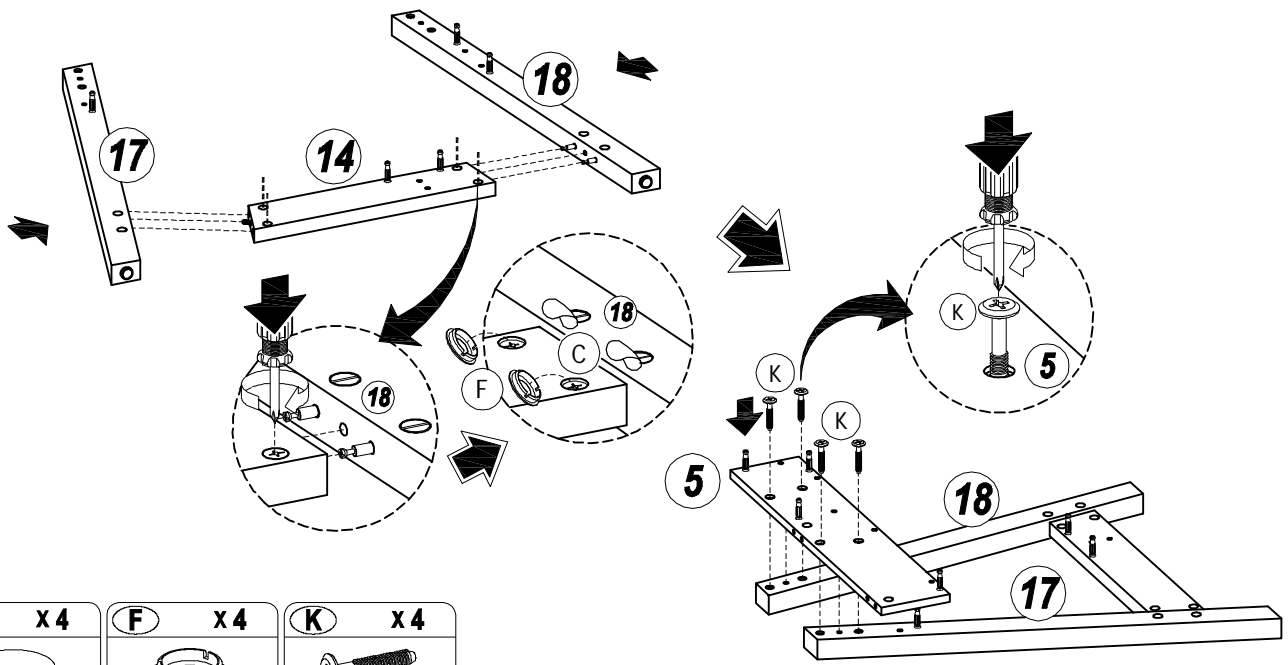
A x 12	B x 12	D x 4	E x 4
 7.5 X 32 mm	 Ø15 X 12 mm	 Ø 7.8 X 32 mm	 Ø7.8 x 40 mm

12

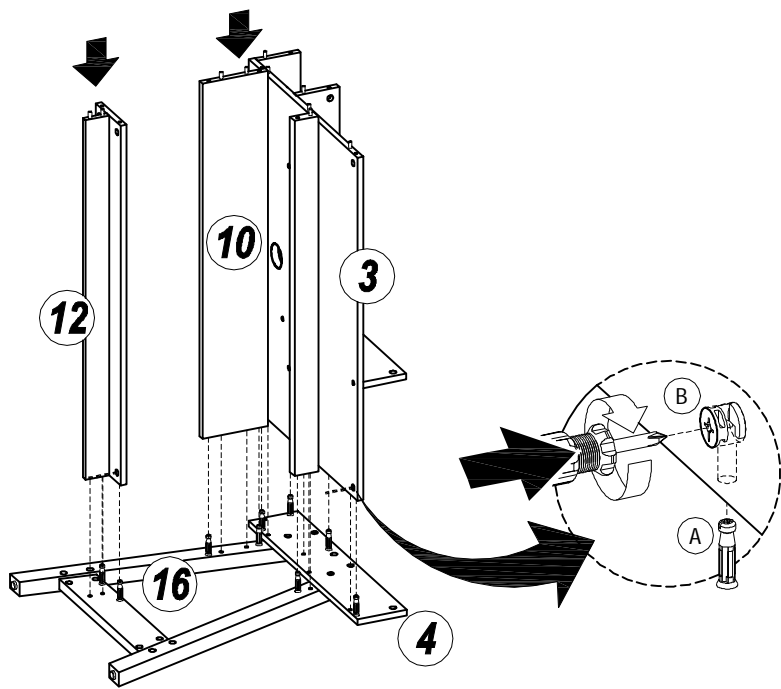


C x 4	F x 4	K x 4
 Ø25 mm	 Ø17 mm	 Ø13 X 30 mm

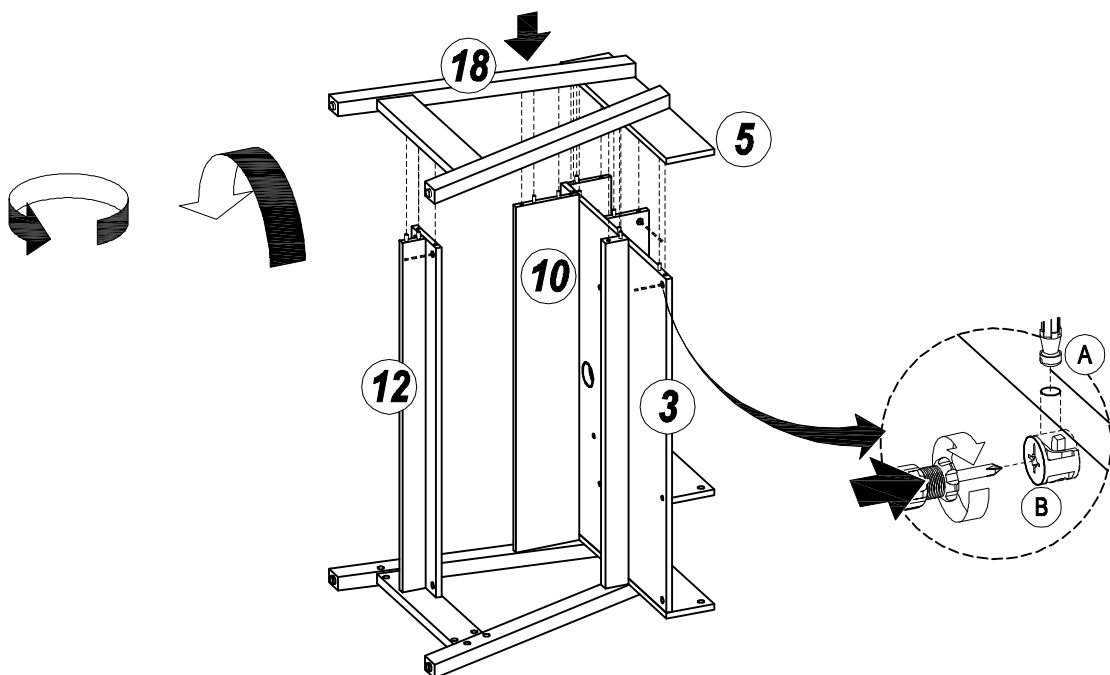
13



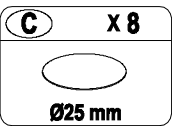
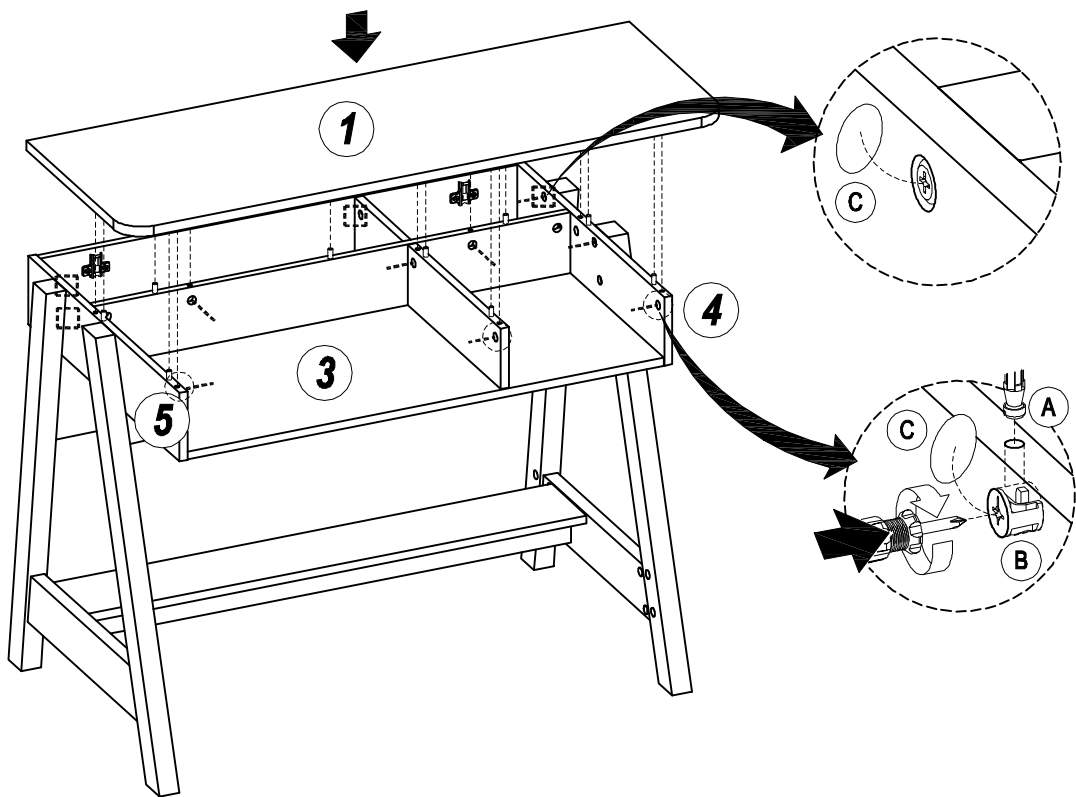
14



15



16



17

