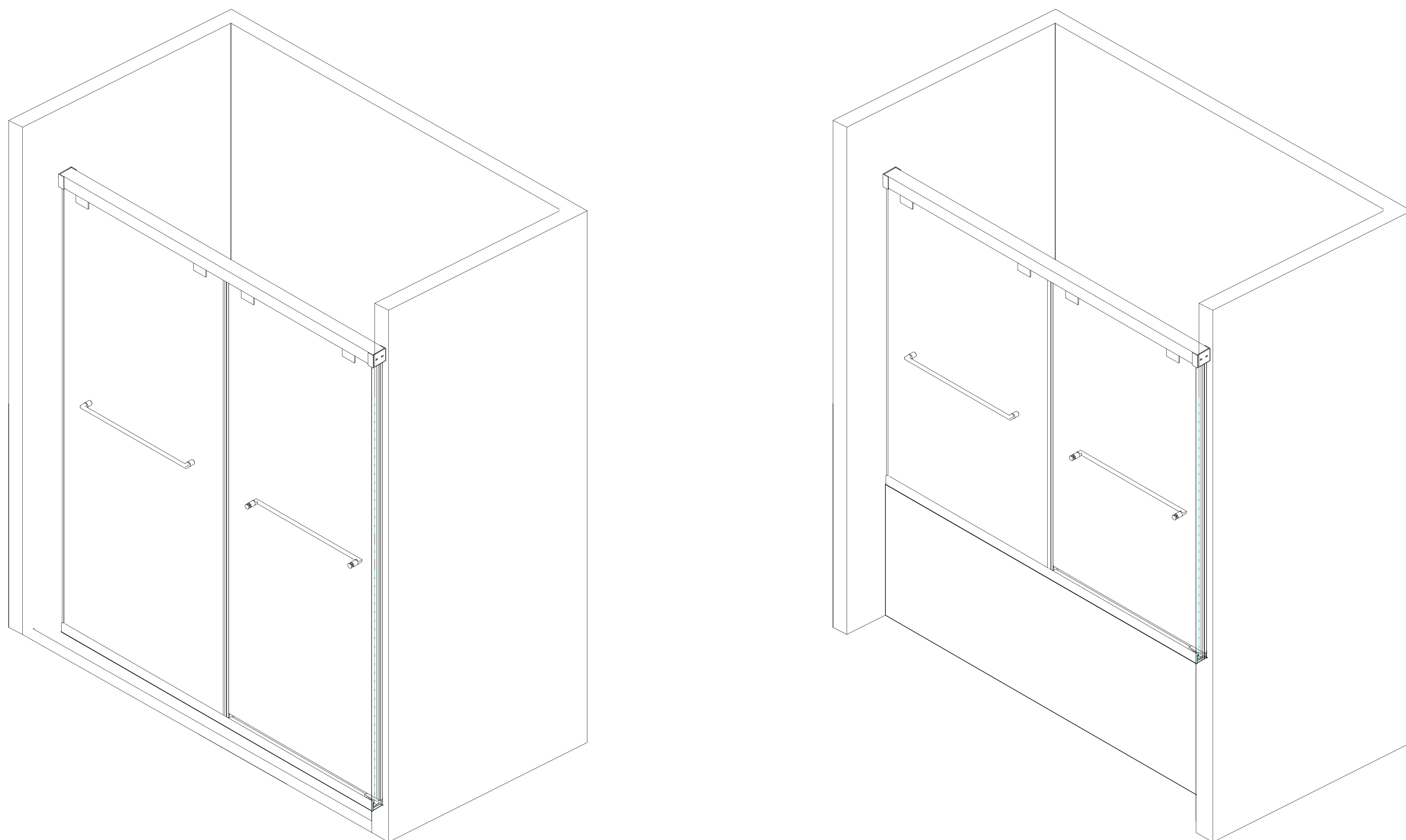


YS0102 Series Shower Door

INSTALLATION GUIDE

CAUTION: To reduce the risk of breakage, keep corner protectors on glass while installing. Keep corner protectors for use in case future adjustments are needed. Consult your local plumbing codes prior to installation



INSTALLATION VIDEO



TOOLS REQUIRED

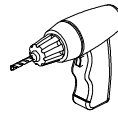
Drill Bits



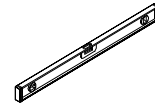
Screw Driver



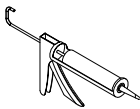
Drill



Level



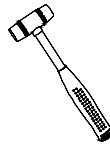
Silicone



Measuring Tape



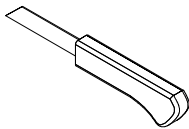
Soft Head Hammer



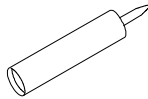
Pencil



Knife



Sealant



MASONRY DRILL BIT FOR TILE Ø6mm



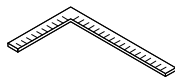
Safety Glasses



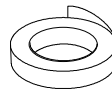
Glove



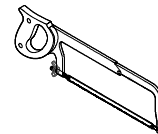
Carpenter's Squarer



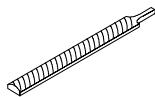
Masking or painter's tape



Hack Saw



Metal File



CAUTION: When cutting or drilling metal components or when handling glass, to reduce the risk of personal injury, protective eye wear, gloves, and closed-toe shoes are required.

SAFETY INFORMATION

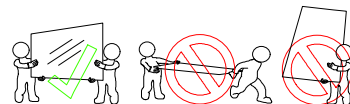
CAUTION

Please carefully read the following important safety information before handling or installing this shower door . There is a risk of serious injury while handling this product.

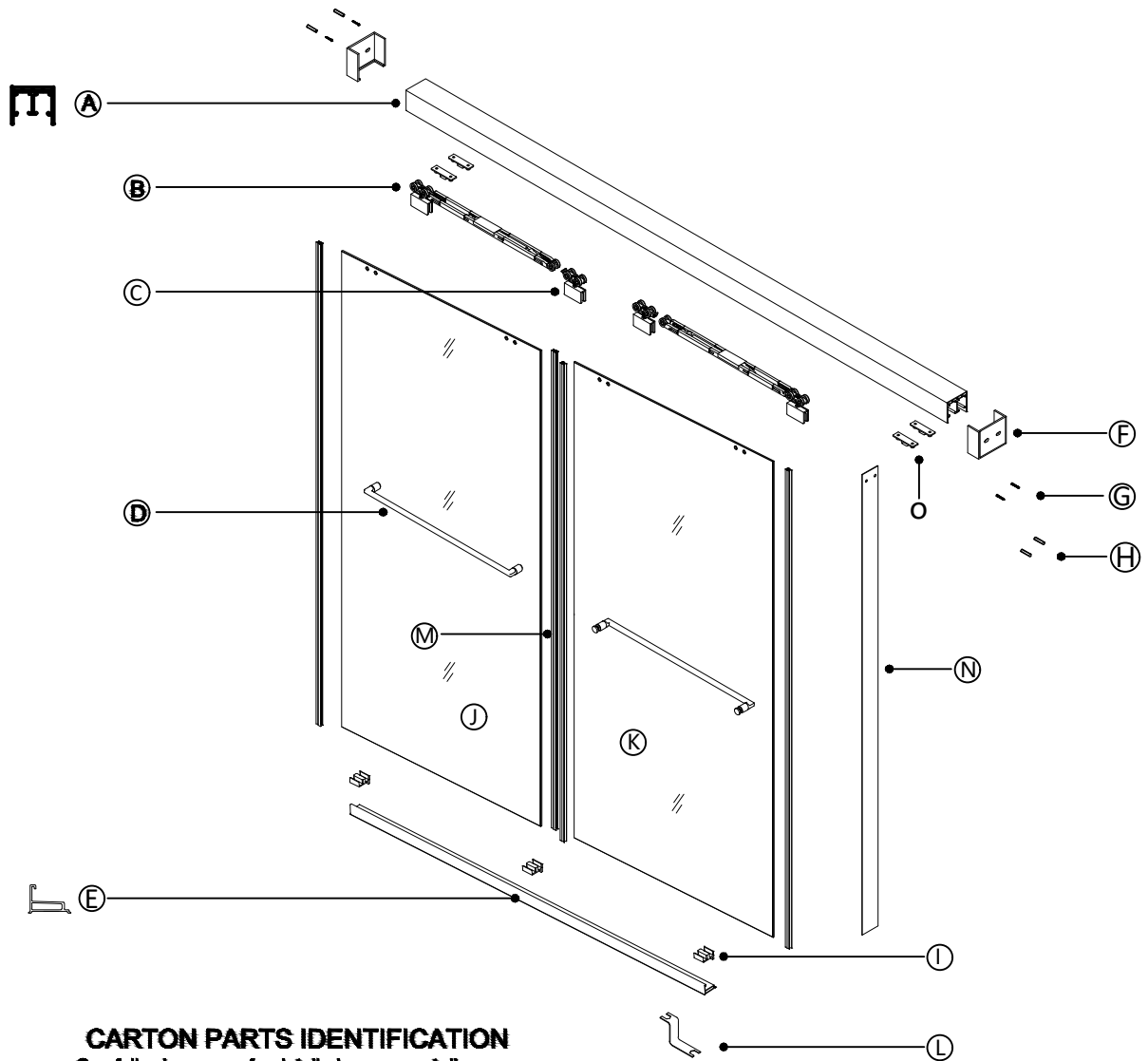
To minimize these risks, please note:

- Always wear safety glasses and gloves while handling.
- Always follow the installation instructions.
- Inspect glass for damage before installation.
- Extreme caution should be taken while handling the glass during installation as the tempered glass may shatter if in contact with a hard surface.
- Do not cut or modify the tempered glass as it will shatter if cut.
- Carefully remove product from packaging and keep packaging until installation is complete.
- Inspect all parts for damage or missing; if there is damage or part missing to the unit prior to installation, please contact customer service at the number provided in this guide.
- Cover the drain with tape to prevent the loss of small parts.
- The shower base and finished walls should be installed before beginning the shower door installation.
- During the installation,protect the shower floor with a drop cloth to avoid damage.
- This product should be installed by two people who are familiar with construction requirements.Professional installation is recommended!
- Keep this installation manual for future reference.

NOTE: Two people should perform this installation.



DOOR ASSEMBLY



CARTON PARTS IDENTIFICATION

See following pages for detailed component diagrams

PART#	DESCRIPTION	QTY
A	Top Rail	1
B	Pulley with buffering function	2
C	Roller set	2
D	Handle	2
E	Bottom Rail	1
F	Rail Wall Connector	2
G	Metric Screw ST4.0X35	7

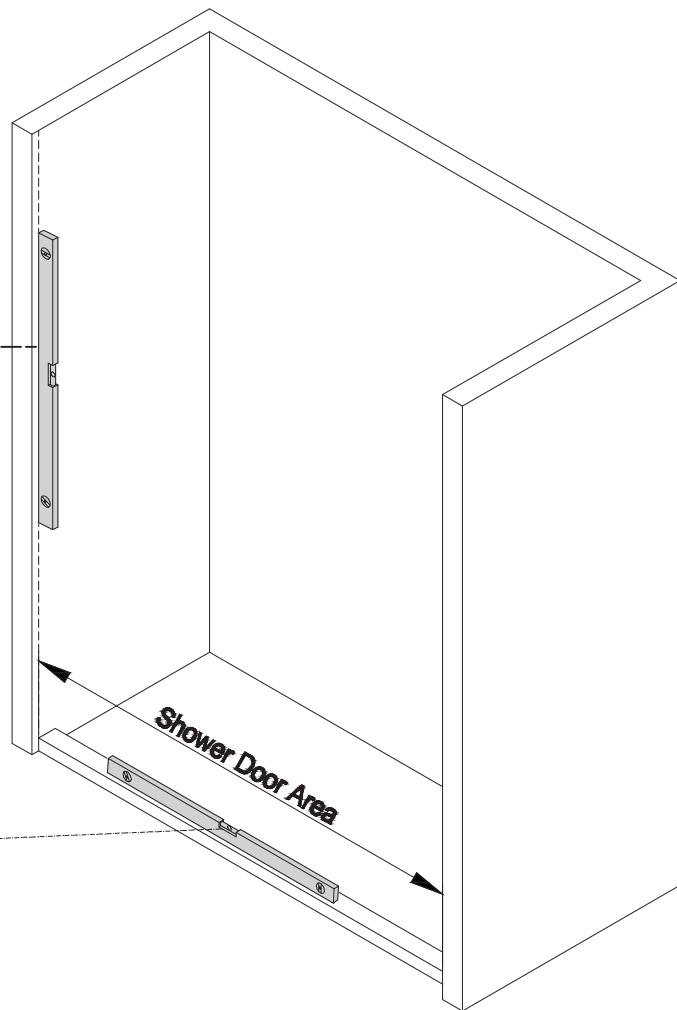
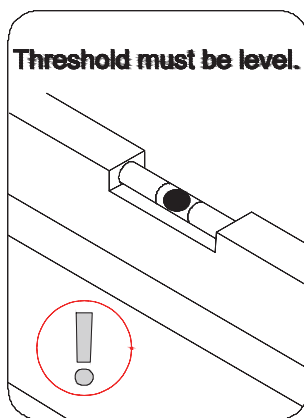
PART#	DESCRIPTION	QTY
H	Wall anchor $\phi 6$	7
I	Bottom guide	3
J	DOOR PANEL	1
K	DOOR PANEL	1
L	Wrench	1
M	waterproof strip	4
N	Template	1
O	Locator	4

Model Specific Preparation



REQUIRED:

Verify threshold and wall with a level.

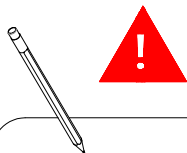
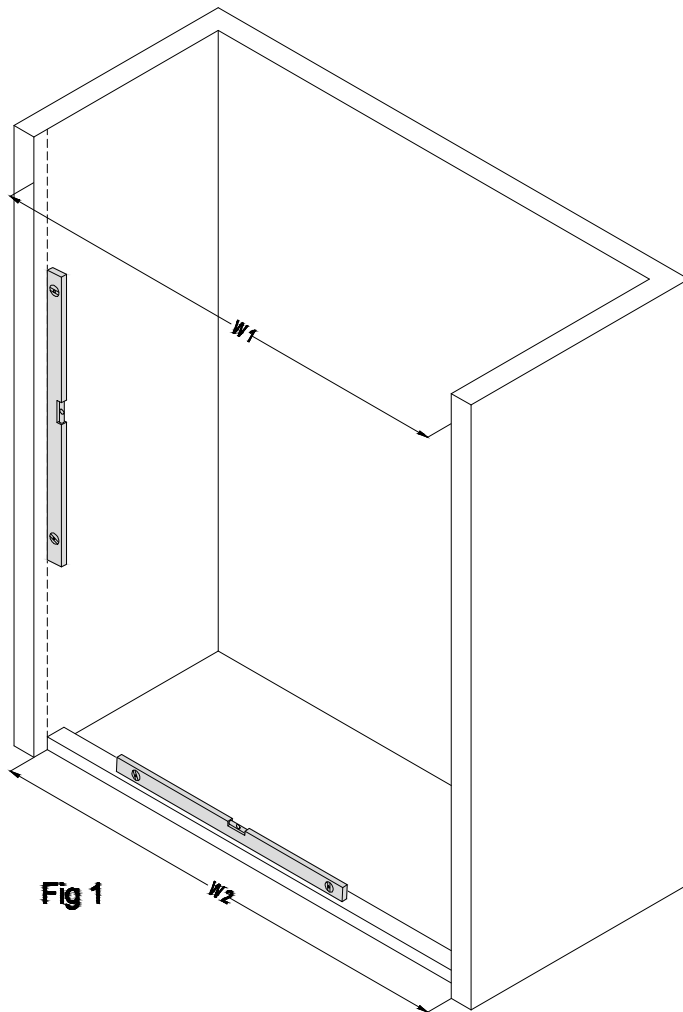


Please choose the product that fits your size

Measure the finished opening width.

NOTE

1. Measure the finished opening width at the bottom and at the model height. Use these dimensions as "W1" (top) and "W2" (bottom) in step #2.
2. Also check the threshold for level and the walls for plumb. (Fig 1)

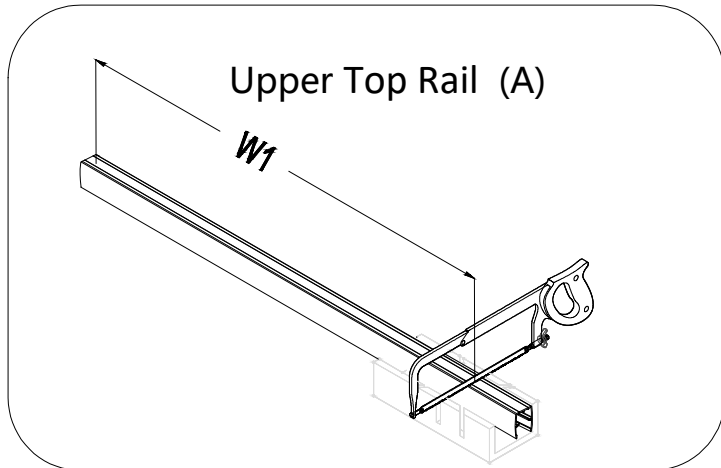


_____ Finished opening top (W1)

_____ Finished opening bottom (W2)

Cut the Upper Top Rail (A) and the Bottom Rail (E) to fit your finished opening using either a miter saw or a hacksaw

Cut the Upper Top Rail (A) to: "W1"



Cut the Bottom Rail (E) to: "W2"

Use a metal file to remove any burrs from the cut ends.

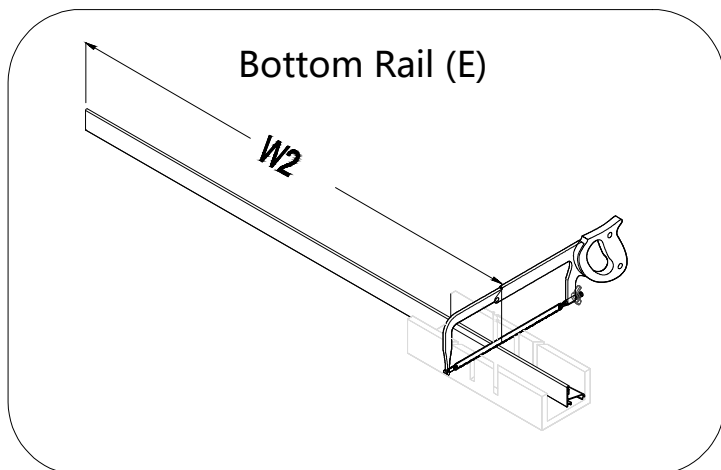
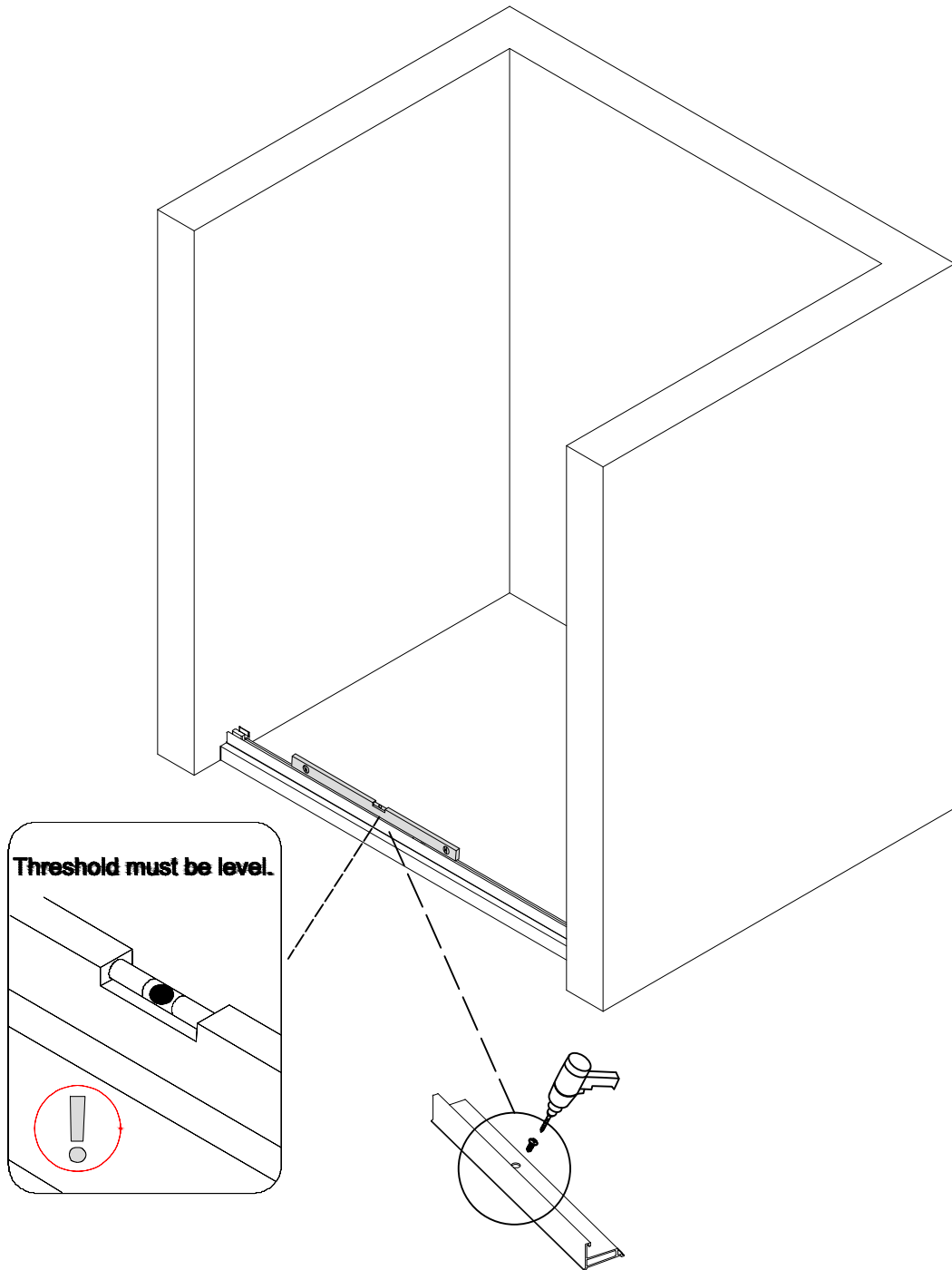


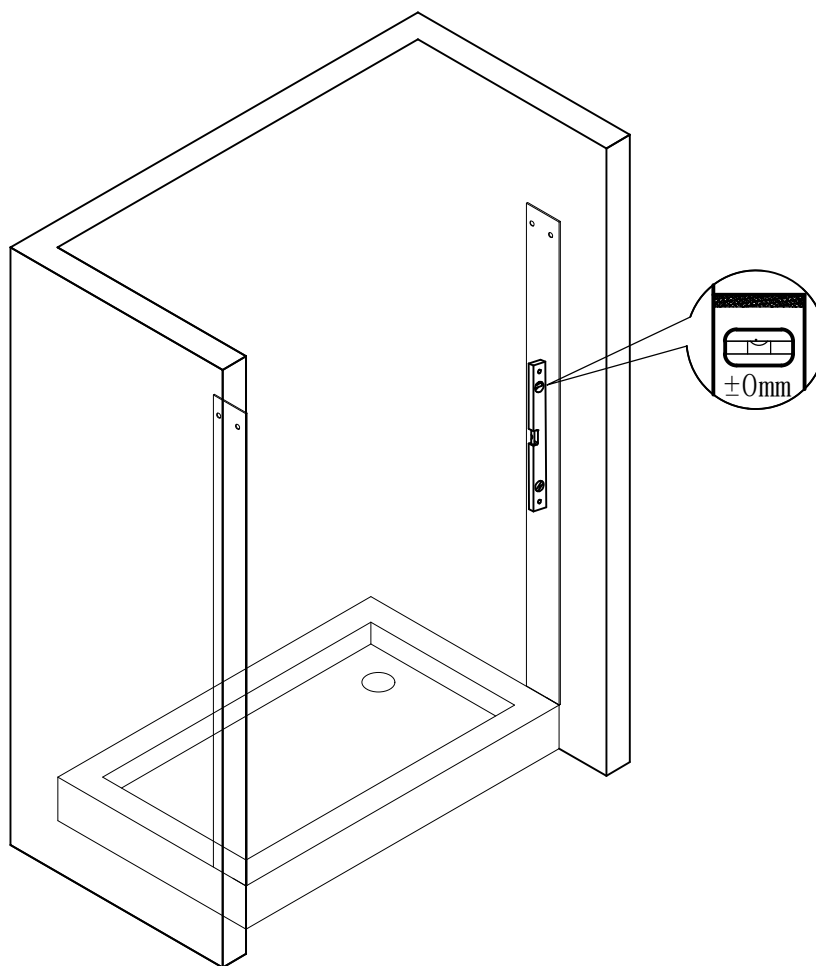
Fig 2

Install Bottom Rail (E). Threshold must be level.

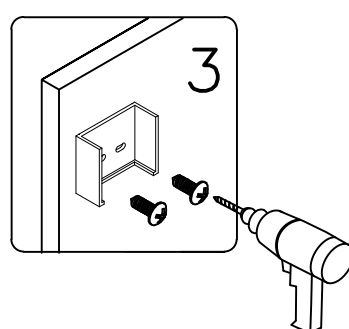
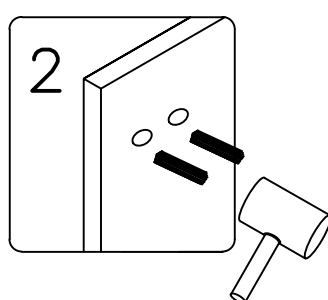
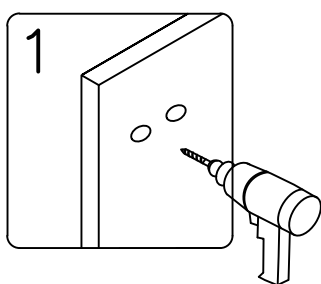
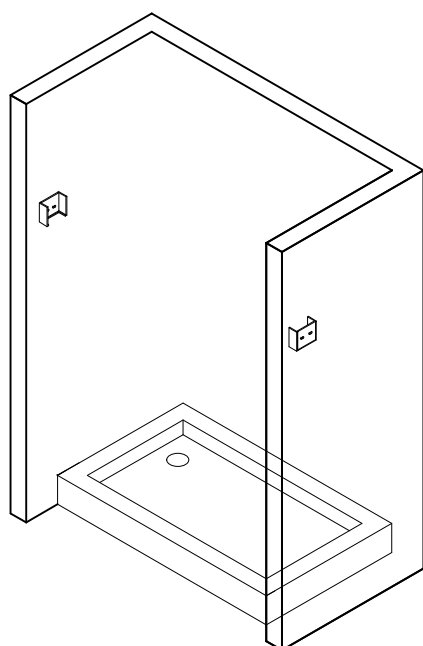


Insert a set screw in the center

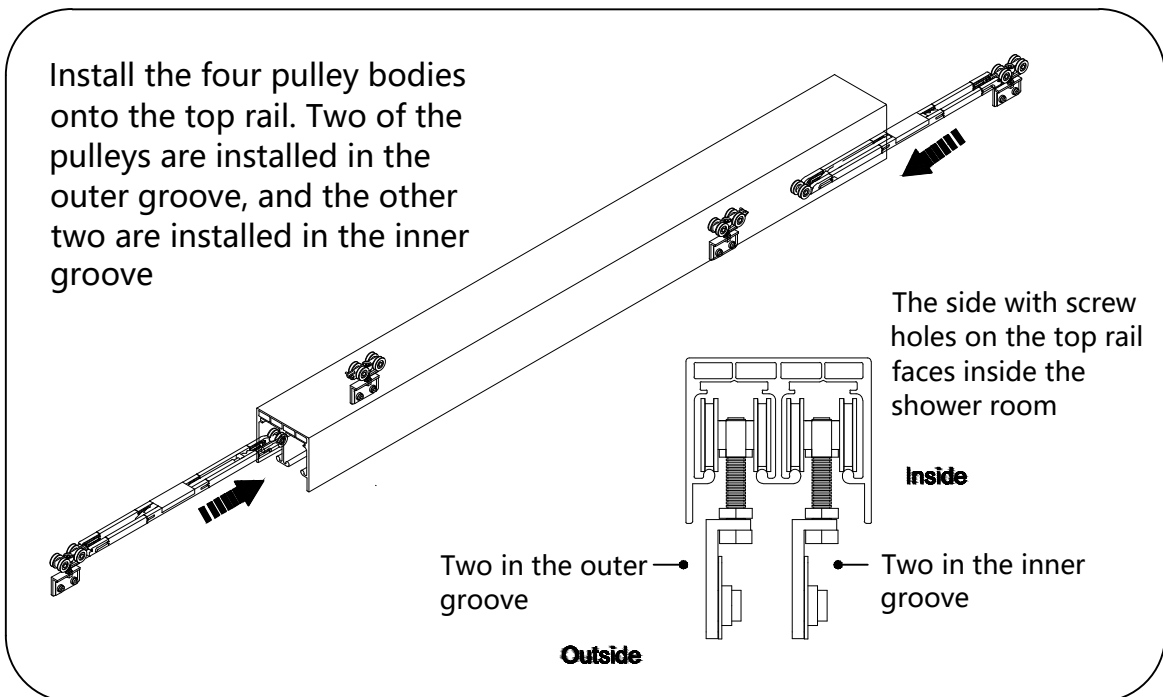
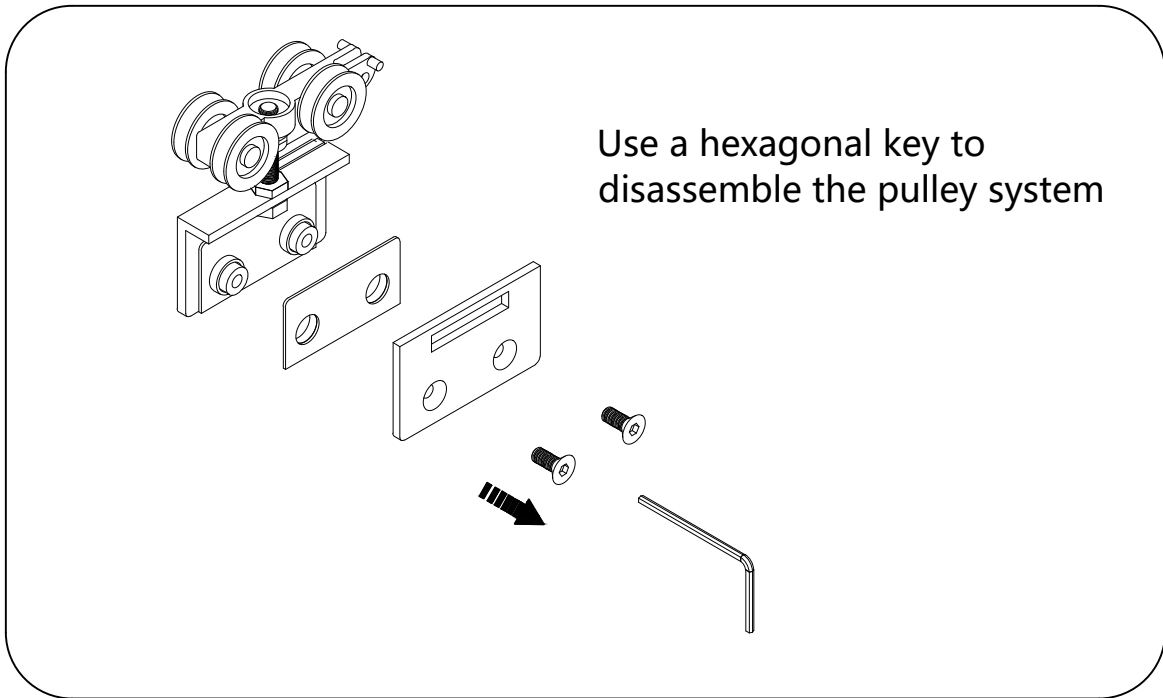
1. Lean the template on the wall.
2. Make sure to level the template.
3. Use pencil to mark the hole on the template.



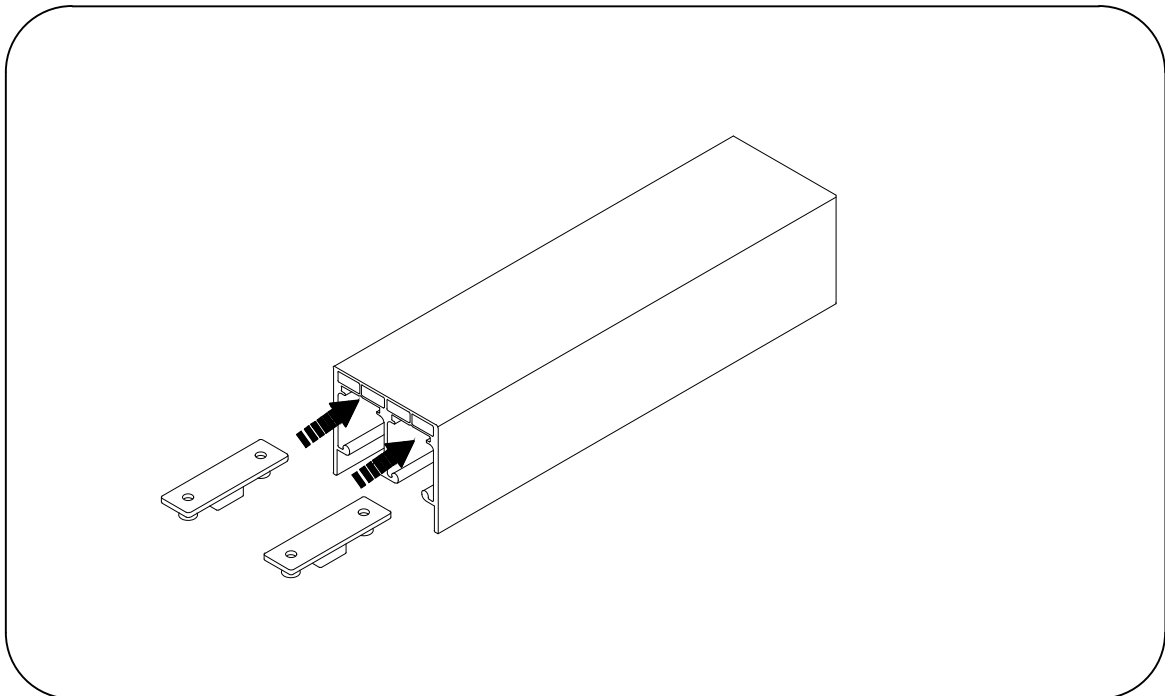
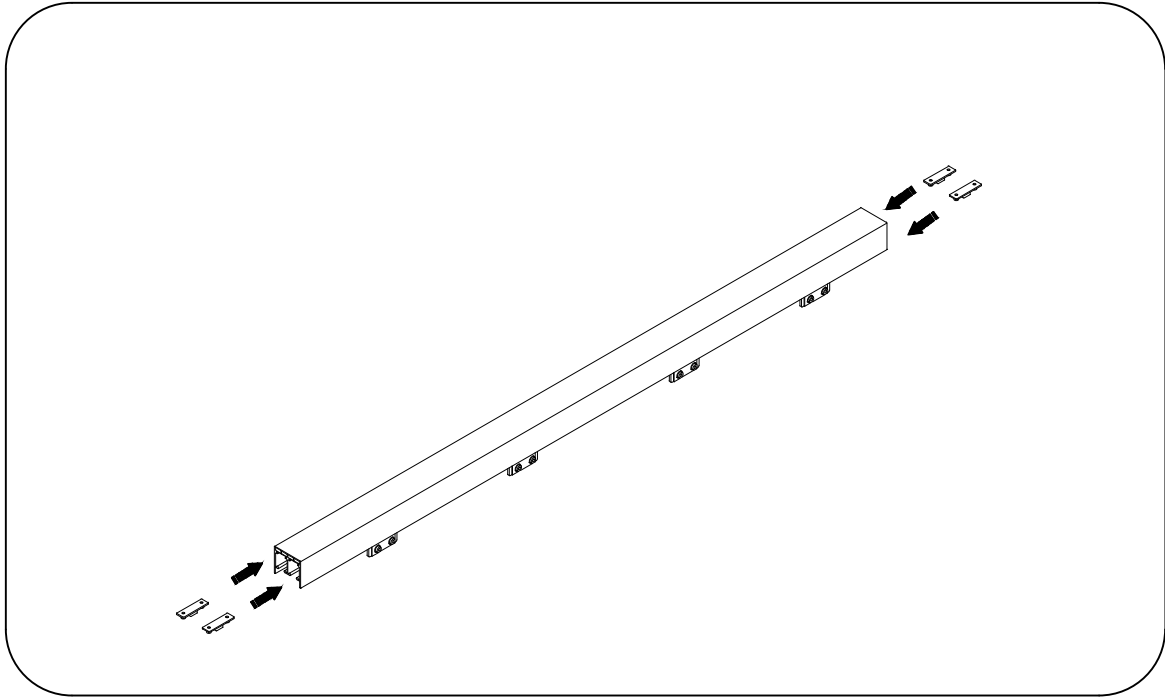
1. Drill a hole on the wall.
2. Hammer the Anchor into the hole.
3. Secure Wall Connector (F) onto the wall.



Install pulleys on the top rail



Install the block holder

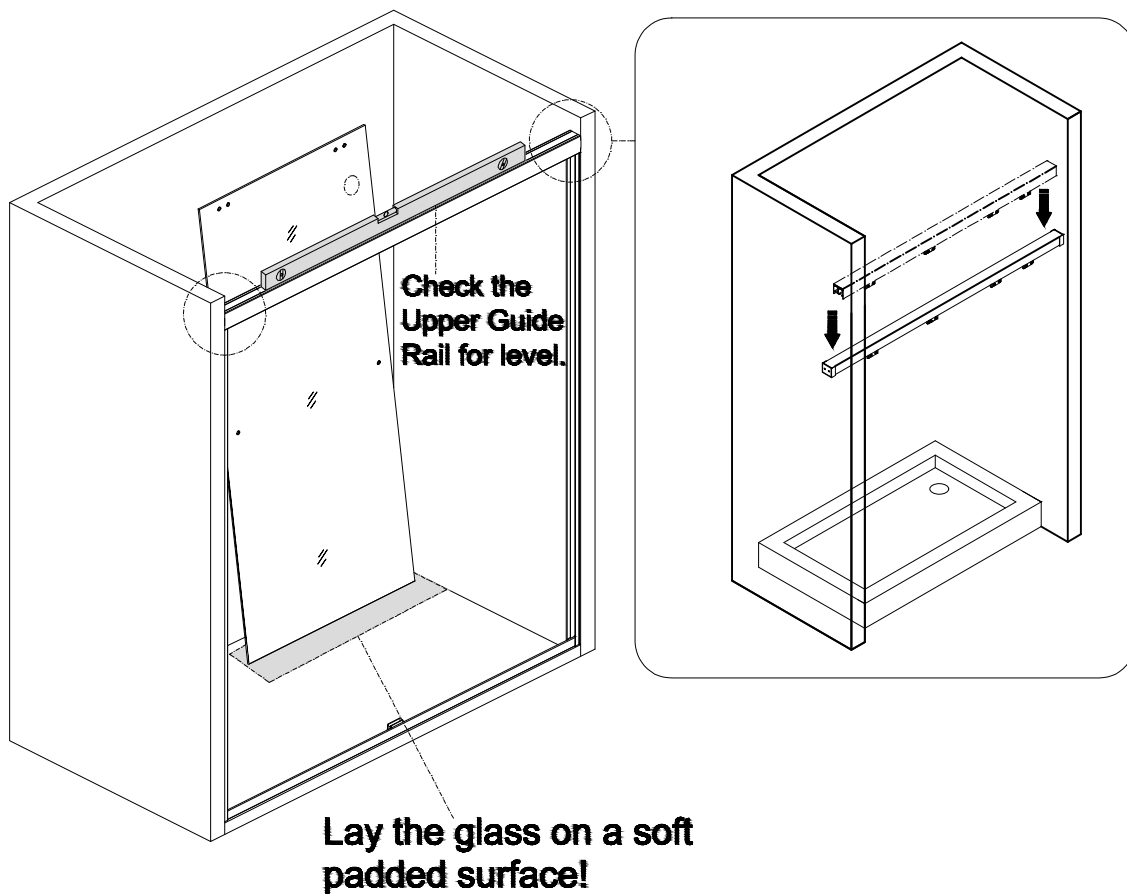


Upper Top Rail (A) Installation

NOTE

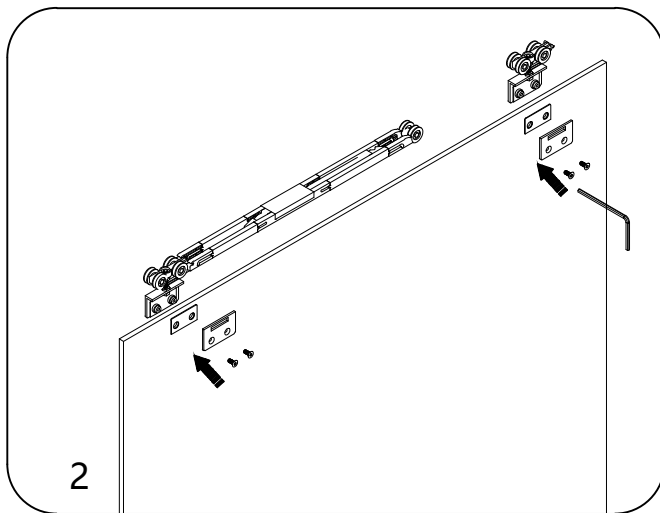
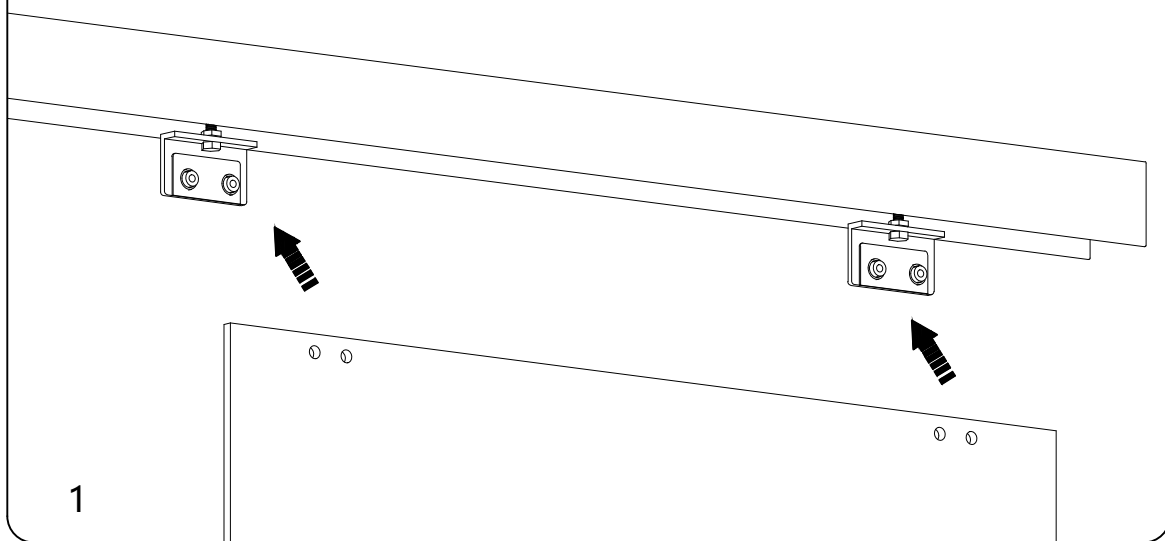
Put Inside Glass Panel inside the shower place before install the Upper Top Rail(A)

Insert the Upper Top Rail(A) into the Rail Wall Connector(F).

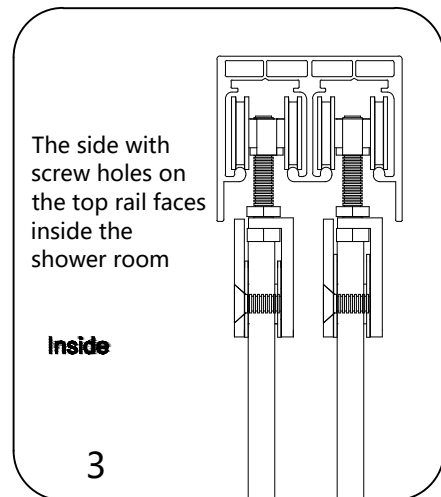


Install sliding glass door

Hang the sliding glass door
on the corresponding pulley

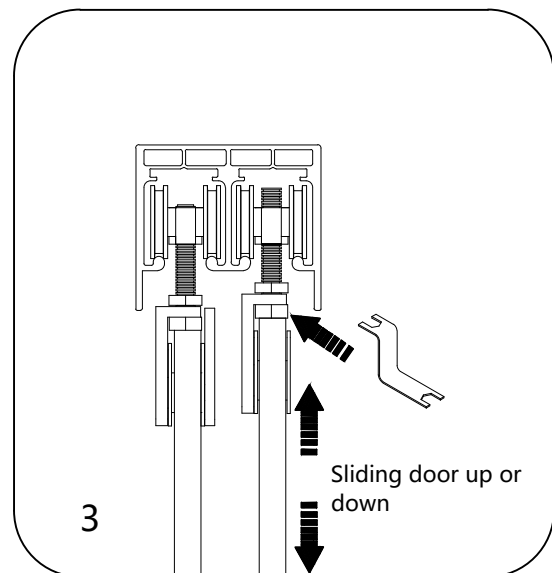
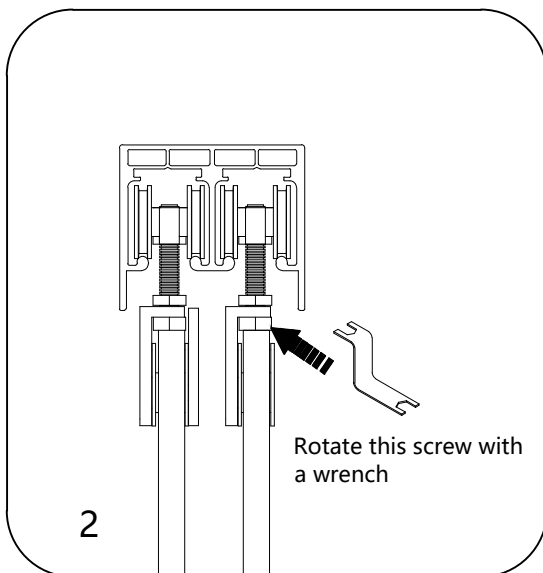
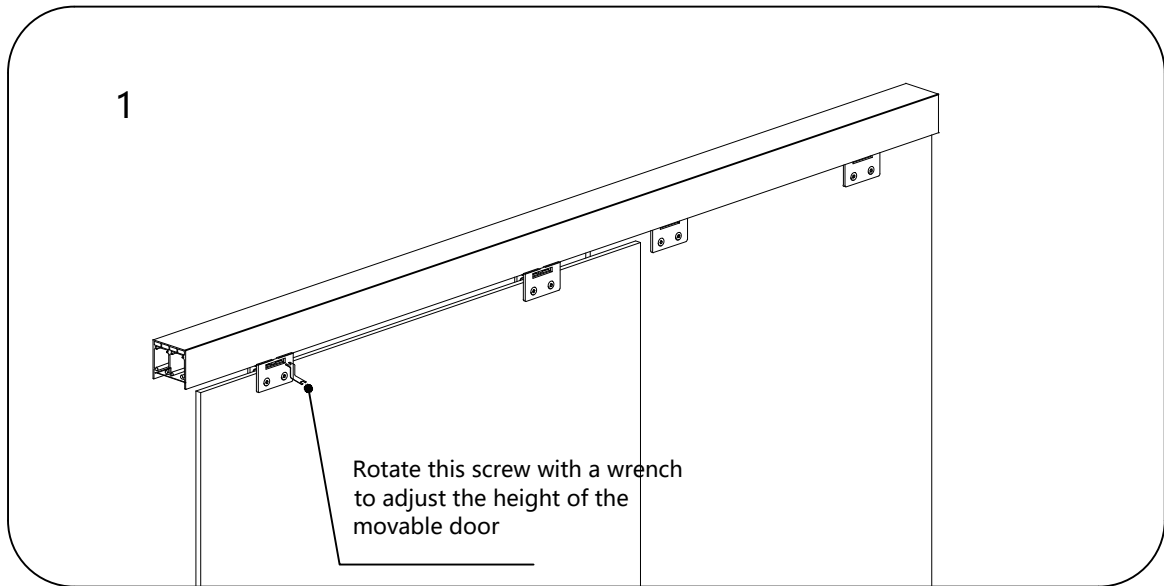


Tighten the pulley
with a hexagonal key



Install another door using
the same method on the
corresponding other two
pulleys

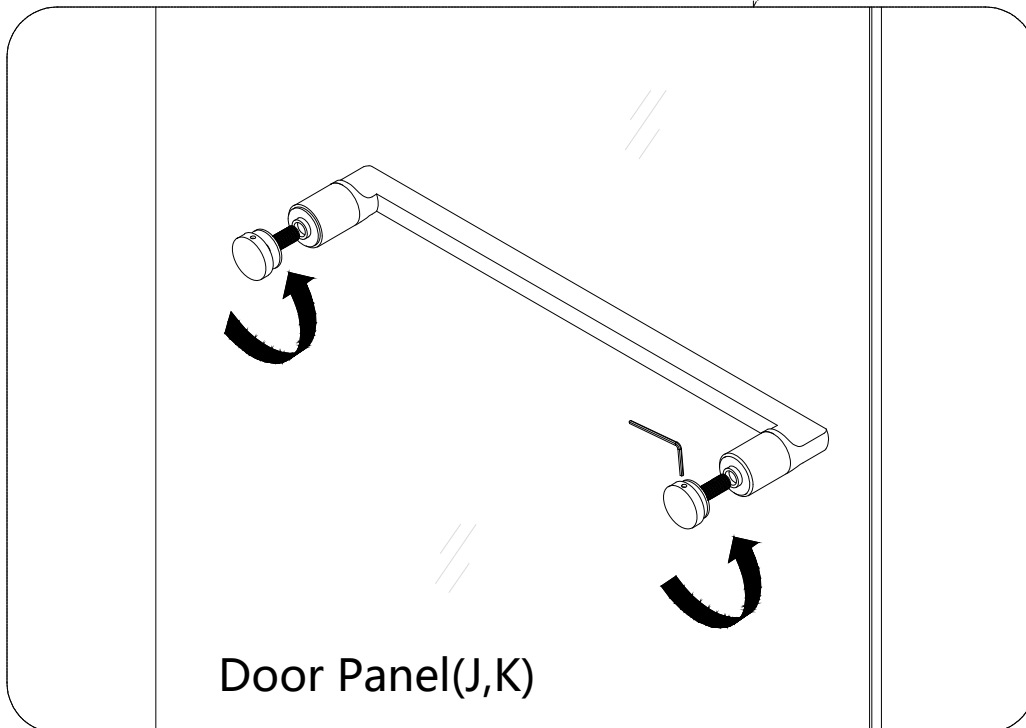
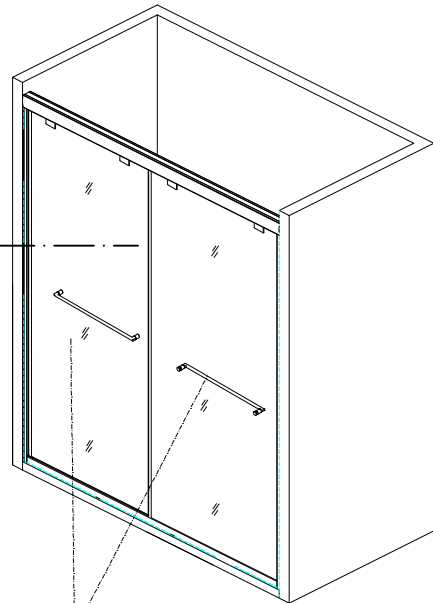
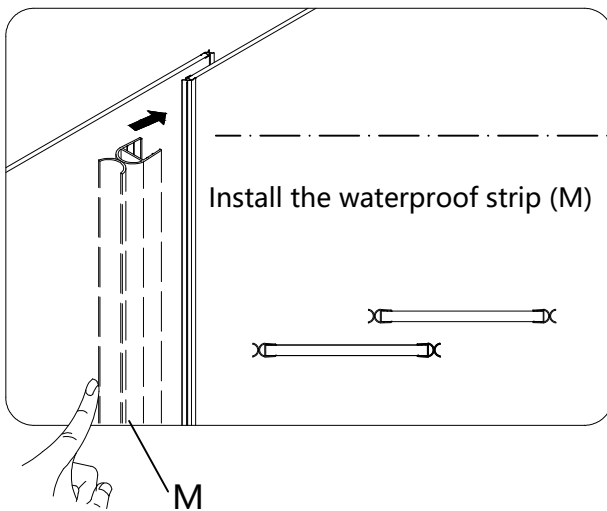
Adjust the left and right height of the sliding door



Handle (D) and Waterproof strip (M) Installation

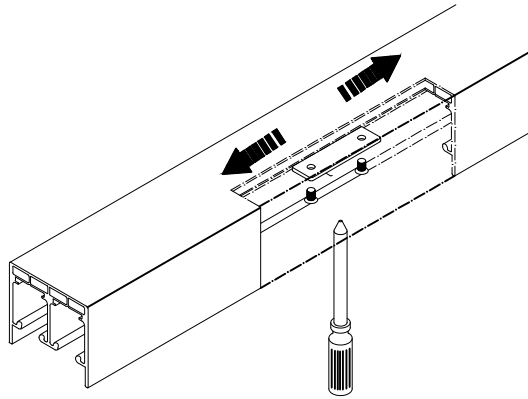
NOTE

Attach the Handle (D) to the Door Panel(J,K) . Be sure to use all of the supplied rubber gaskets to protect the glass.

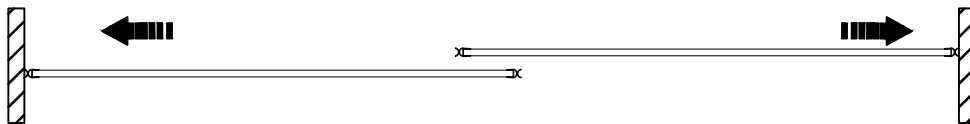


Adjust the installation position of the block holder

Adjust the position of the block holder by moving it left and right, and tighten the screws with a screwdriver



Close the sliding glass to the left and right, and you will see a buffering process in the door until the sliding glass is completely closed; If there is no buffering effect when closing the door, the installation position of the block holder needs to be adjusted again.



SEALING

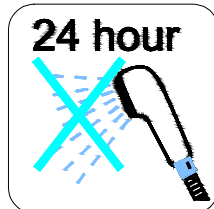
NOTE

The surfaces need to be clean and free of debris before applying silicone sealant.

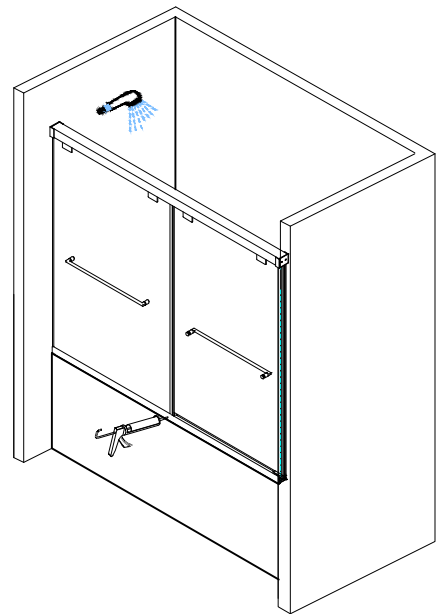
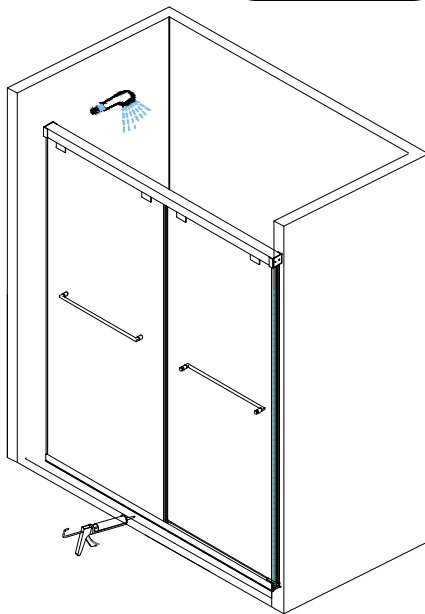
NOTE

Ensure that the Shower door closes tightly and opens smoothly.
Apply a good quality silicone sealant along the Bottom Rail(E).

Allow 24 hours for the silicone to cure before using the shower.



! Apply Silicone Sealant, (not supplied).



Apply silicone around the bottom rail.



Use Painter's Tape to hold the Water seal tight in position while the silicone cures.

