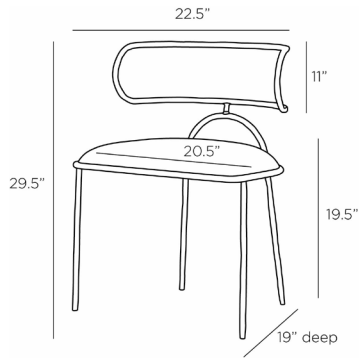


ARTERIOS

AISHA DINING CHAIR



FRI05

H: 29.5 IN, W: 22.5 IN, D: 19 IN

Natural Linen

Contract Recommendations: Adding a lacquer coating provides additional protection

The flowing lines of the Aisha are given an industrial edge with a hand-hammered frame of blackened iron. Influenced by the monochromatic minimalism of line art, this sleek style is completed with a subtly padded natural linen seat for comfort.

APPEARANCE

Material	Iron, Linen
Finish	Blackened Iron
Top Coat/Sealant	true
Textile Contract Suitability	Not Contract Suitable

DIMENSIONS

	18 IN
Seat Back	H: 11 IN, W: 20.5
Seat	W: 20.5 IN, D: 16.5 IN
Seat Height	19.5 IN
Seat	W: 20.5 IN, D: 16.5 IN
Clearance	16.5"
Diagonal Dimension	34 IN
Seat Cushion Thickness	3 IN

SHIPPING

Shipping Requirements	TruckShip
Product Weight	22.7 LBS
Gross Weight 1	44.1 LBS
Shipping Box 1	H: 33 IN, L: 22 IN, W: 25 IN

ADDITIONAL INFO

Fabric Compliance	Barrier Cloth used for TB117-2013 and NFPA-260
Fabric Rub Count	5,000
Swatch Number	L02SW
Fabric Cleaning Code	S - dry clean only
Fabric Content	100% Linen
Yardage To Reupholster	1 Yard

CONTRACT

Contract Suitable	Adding a lacquer coating provides additional protection
Fabric Composition	100% Linen