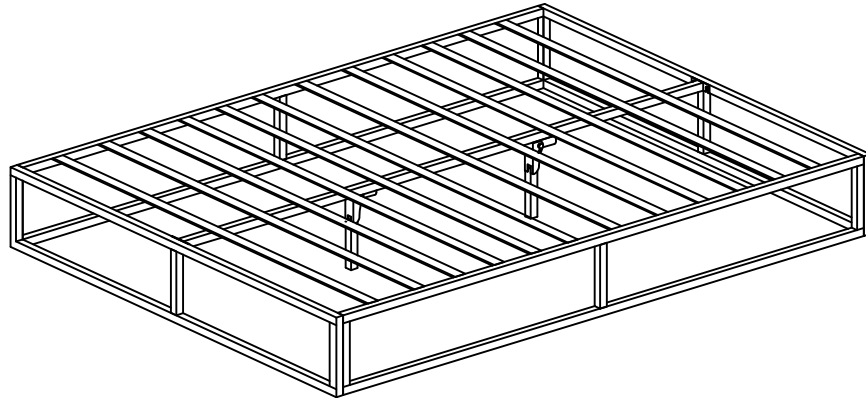


# PLATFORM BED ASSEMBLY INSTRUCTIONS

Thank you for purchasing the PLATFORM BED.  
Please read the instructions carefully to ensure safe operation of the product.



1900mm×900mm×253mm	3ft	SINGLE
1900mm×1200mm×253mm	4ft	SMALL DOUBLE
1900mm×1350mm×253mm	4ft 6	DOUBLE
2000mm×1500mm×253mm	5ft	KING

COLOUR: BLACK

---

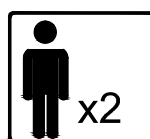
**PLEASE READ** this sheet prior to assembly to familiarise yourself with the various stages of construction.

Carefully open the pack supplied and check the contents against the parts and fittings check list.  
Do not destroy any of the packaging until you are certain that you have all the necessary parts for the assembly.

**CAUTION:** There are small components used in the construction of this unit. These loose items should be kept away from young children whilst assembling your unit to avoid the danger of choking hazards.

---

## Tools Required



# PLATFORM BED ASSEMBLY INSTRUCTIONS

**IMPORTANT - READ CAREFULLY - RETAIN THESE INSTRUCTIONS FOR FUTURE REFERENCE.**

## INFORMATION

- This product is intended for a maximum person's weight of 130kg per side. Do not exceed this weight.
- Due to the size of this product we recommend that it is assembled in the room intended for use.
- When you are ready to start, make sure that you have the right tools, plenty of space and a clean, dry area for assembly.
- Unwrap all packaging materials and place the components on top of the carton box or on a clean floor to prevent it from scratching.
- Check the pack and make sure you have all the parts listed.
- Ensure that this product is fully assembled and secured as illustrated before use.
- Check all screws or bolts are tightened and inspect regularly.
- This product should only be used on firm, level ground.
- Please dismantle for transportation
- Tools are included.

## WARNINGS

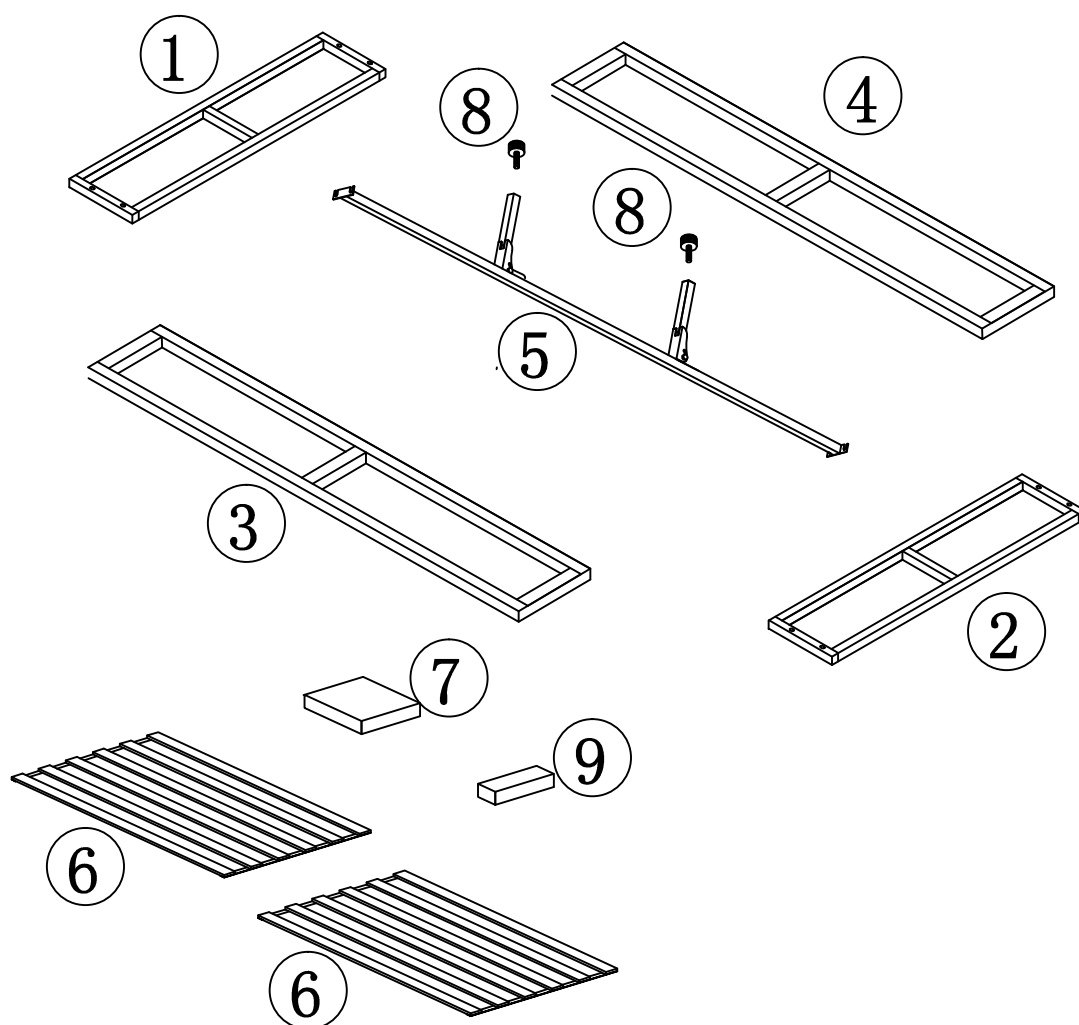
- DO make sure the feet remain in contact with the ground.
- DO keep small parts out of reach of children.
- DO NOT use power tools to construct this product.
- DO NOT tighten screws until fully assembled.
- DO NOT over tighten screws or bolts.
- DO NOT use this product if parts are missing, damaged or worn.
- DO NOT stand on the product.
- DO NOT insert foreign objects into the product or attempt to repair this unit by yourself.

## CARE INFORMATION

- Never use scourers, abrasives or chemical cleaners.
- To clean wipe with a sponge and warm soapy water. Do not use solvent based cleaners or detergents as they can bleach or damage the product.

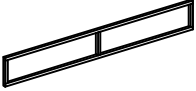
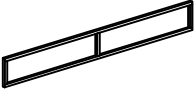
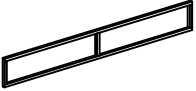
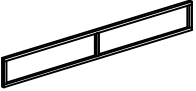

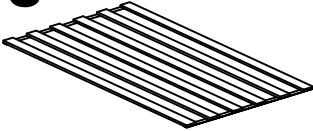
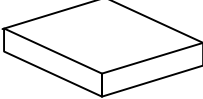

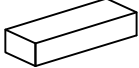
# PLATFORM BED ASSEMBLY INSTRUCTIONS

Please check the pack contents before assembling the product. If any components are missing, please contact your retailer. The fittings pack contains small items that should be kept away from small children.  
(NOT TO SCALE)



# PLATFORM BED ASSEMBLY INSTRUCTIONS

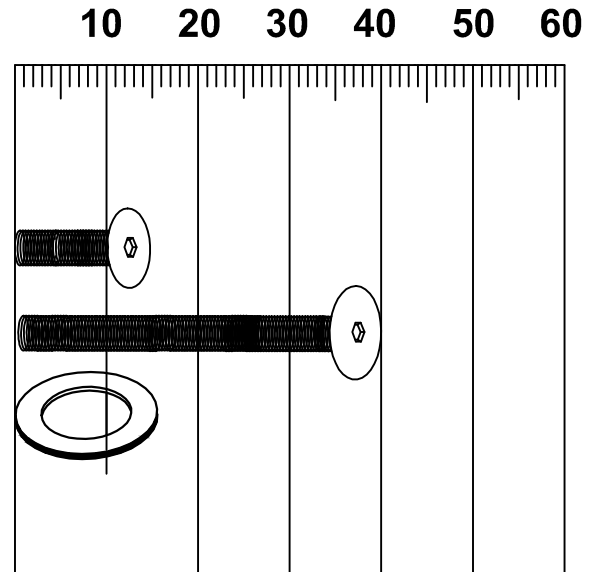
## Parts (NOT TO SCALE)

<p><b>1</b></p> 	<p><b>2</b></p> 	<p><b>3</b></p> 	<p><b>4</b></p> 
<p>HEADRAIL 1PC Dimension: 3':900*253*25mm 4':1200*253*25mm 4'6":1350*253*25mm 5':1500*253*25mm</p>	<p>FOOTRAIL 1PC Dimension: 3':900*253*25mm 4':1200*253*25mm 4'6":1350*253*25mm 5':1500*253*25mm</p>	<p>LEFT SIDE RAIL 1PC Dimension: 3'4'/4'6":1900*253*25mm 5':2000*253*25mm</p>	<p>RIGHT SIDE RAIL 1PC Dimension: 3'4'/4'6":1900*253*25mm 5':2000*253*25mm</p>
<p><b>5</b></p> 	<p><b>6</b></p> 	<p><b>7</b></p> 	<p><b>8</b></p> 
<p>CENTRE SUPPORT RAIL 1PC Dimension: 3'4'/4'6":1850*253*25mm 5':1950*253*25mm</p>	<p>SLATS 2SETS Dimension: 3':847*805*13mm 4':1147*805*13mm 4'6":1297*805*13mm 5':1447*805*13mm</p>	<p>ADHESIVE RUBBER FEET 4PCS Dimension: 22*22*3mm</p>	<p>ADJUSTABLE CENTRE FEET 2PCS Dimension: 30*20*20mm</p>
<p><b>9</b></p>  <p>ADHESIVE RUBBER MATTRESS ANTI SLIP PAD 8PCS Dimension: 40*15*3mm</p>			

# PLATFORM BED ASSEMBLY INSTRUCTIONS

## Fixings (to scale)

Ref	Dimensions	Qty
A	Bolt-M6x15	4
B	Bolt-M6x40	8
C	Flat Washer-Ø8x16	12



## (Not to scale)

D	4mm Allen Key	1
---	---------------	---



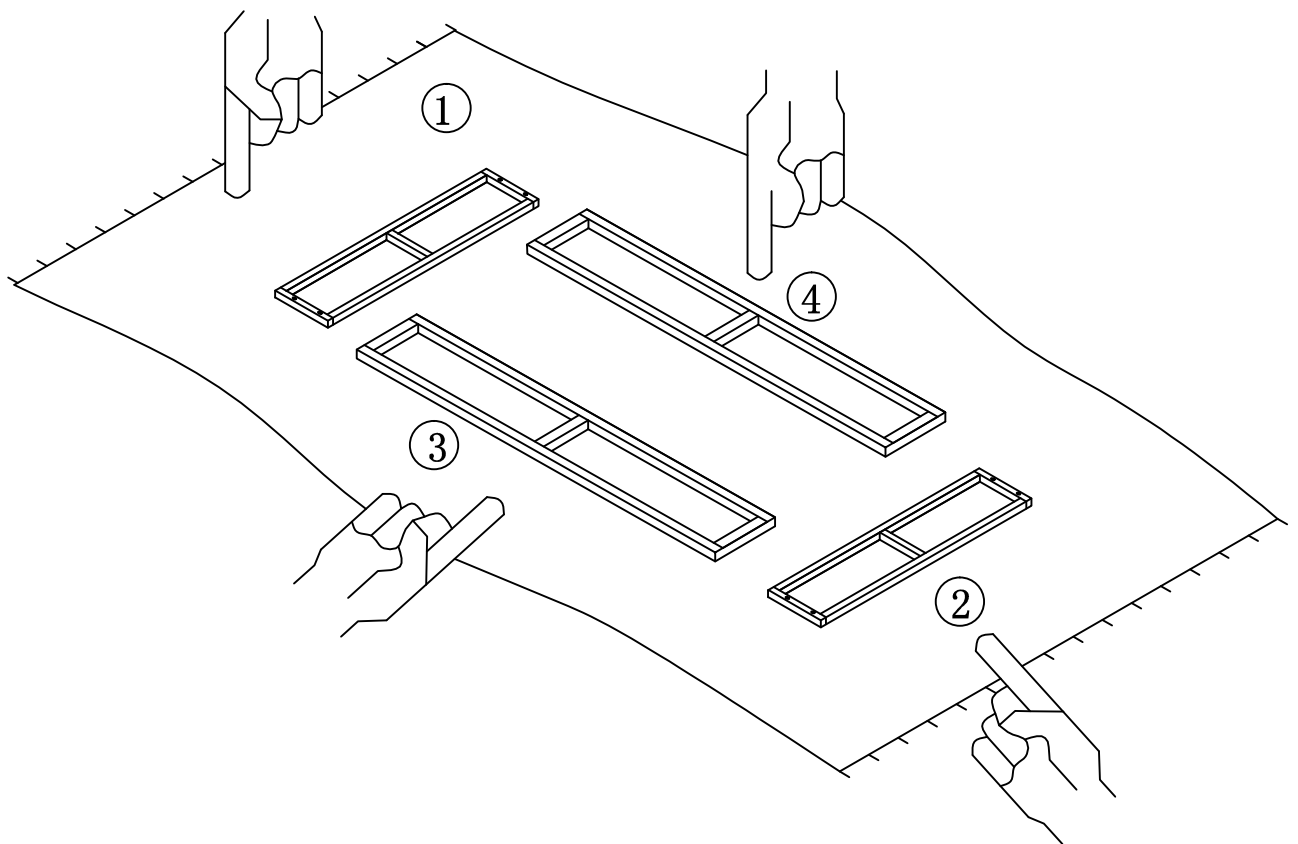
**CAUTION:** There are many small components used in the construction of this product. Please keep these components away from young children whilst assembling this product .

If you keep the fittings in a bowl during assembly you will be less likely to lose them!

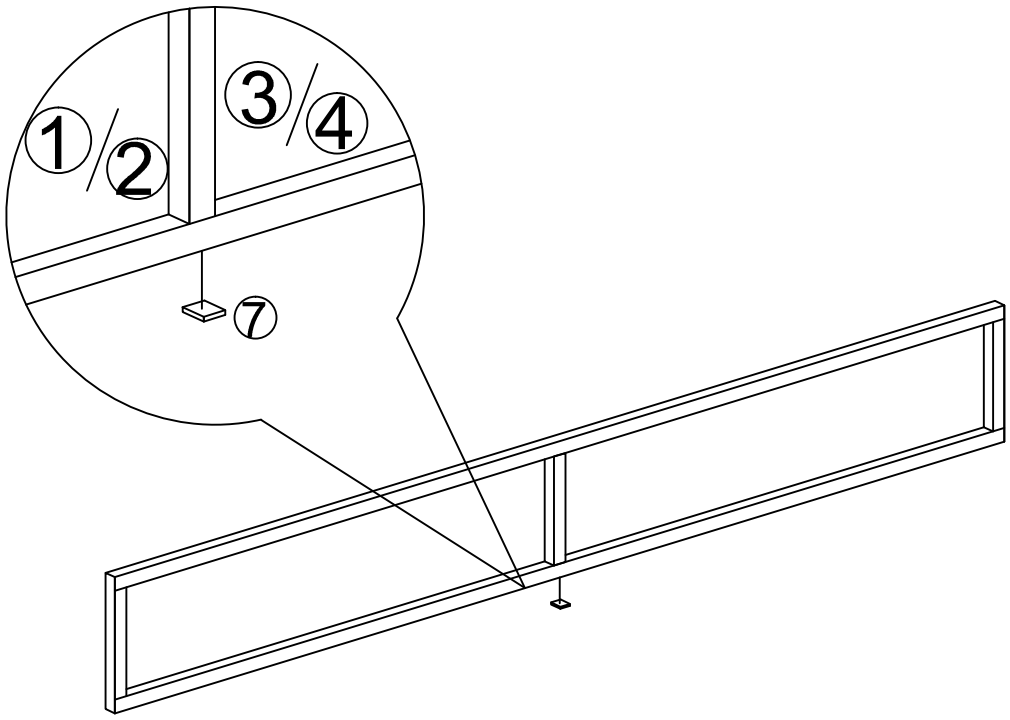
# PLATFORM BED ASSEMBLY INSTRUCTIONS

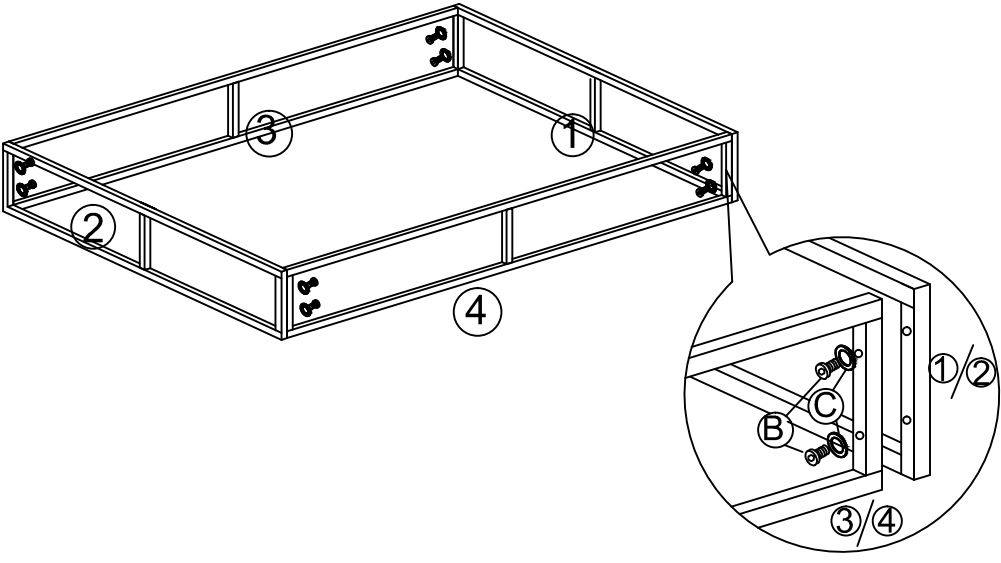
## Layout Parts on Soft Surface

Lay out all 4 sides on a soft surface i.e. Rug, Carpet or Packaging Carton.



# PLATFORM BED ASSEMBLY INSTRUCTIONS

Step1	Parts Required
	<ul style="list-style-type: none"> <li>① Headrail x 1</li> <li>② Footrail x 1</li> <li>③ Left side rail x 1</li> <li>④ Right side rail x 1</li> <li>⑦ Adhesive rubber feet x 4</li> </ul>

Step2	Parts Required
	<ul style="list-style-type: none"> <li>① Headrail x 1</li> <li>② Footrail x 1</li> <li>③ Left side rail x 1</li> <li>④ Right side rail x 1</li> <li>Ⓑ 40mm M6 Bolt x 8</li> <li>Ⓒ Flat washer x 8</li> <li>Ⓓ 4mm Allen key</li> </ul>

# PLATFORM BED ASSEMBLY INSTRUCTIONS

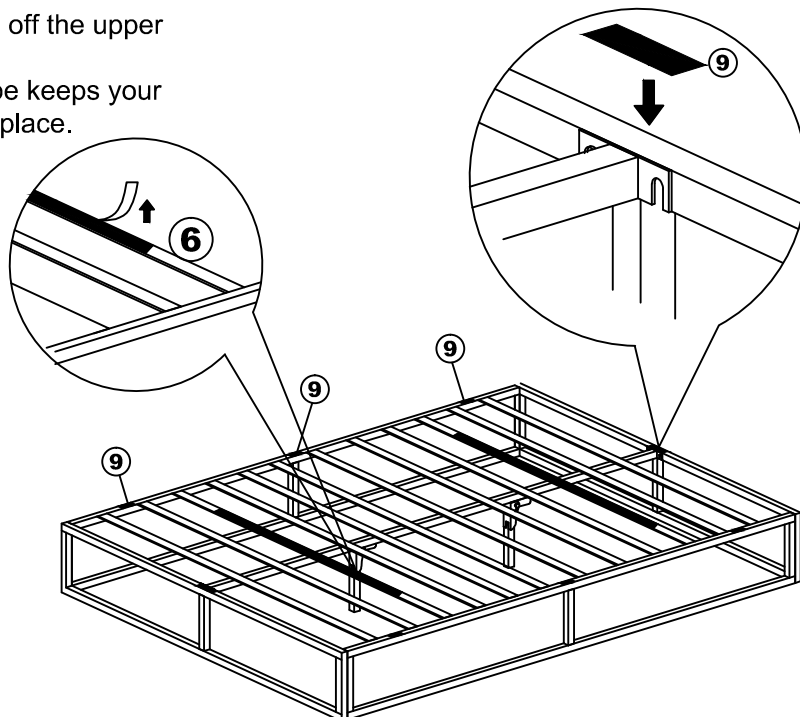
Step3	Parts Required
	<ul style="list-style-type: none"> <li>⑤ Centre support rail x 1</li> <li>⑧ Adjustable centre feet x 2</li> <li>Ⓐ 15mm M6 Bolt x 4</li> <li>Ⓒ Flat washer x 4</li> <li>Ⓓ 4mm Allen key</li> </ul>

Step4	Parts Required
	<ul style="list-style-type: none"> <li>⑥ Slats x 2</li> </ul>

# PLATFORM BED ASSEMBLY INSTRUCTIONS

## Step 5

Please peel off the upper strip.  
Non-slip tape keeps your mattress in place.



Apply rubber anti-slip pads to help keep mattress in place

## Parts Required

- ⑥ Slats ( Peel off adhesive strip) x 2
- ⑨ Adhesive rubber mattress anti slip pad x 8

## Step 6

## Parts Required

Suitable for all types 8 depths of mattress

