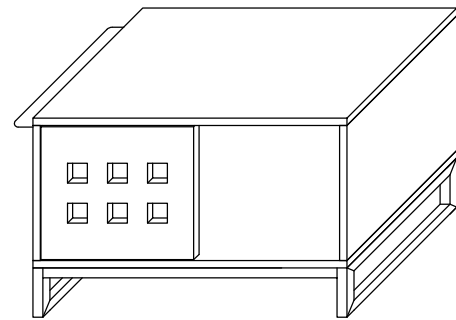
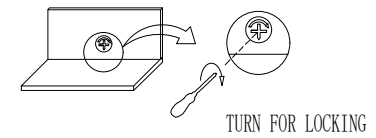
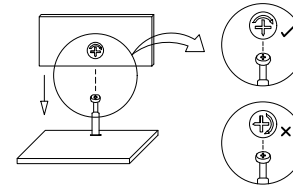
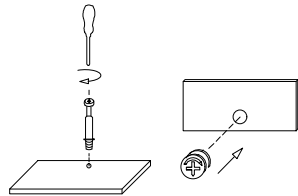
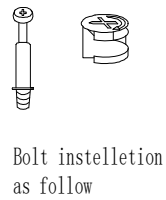
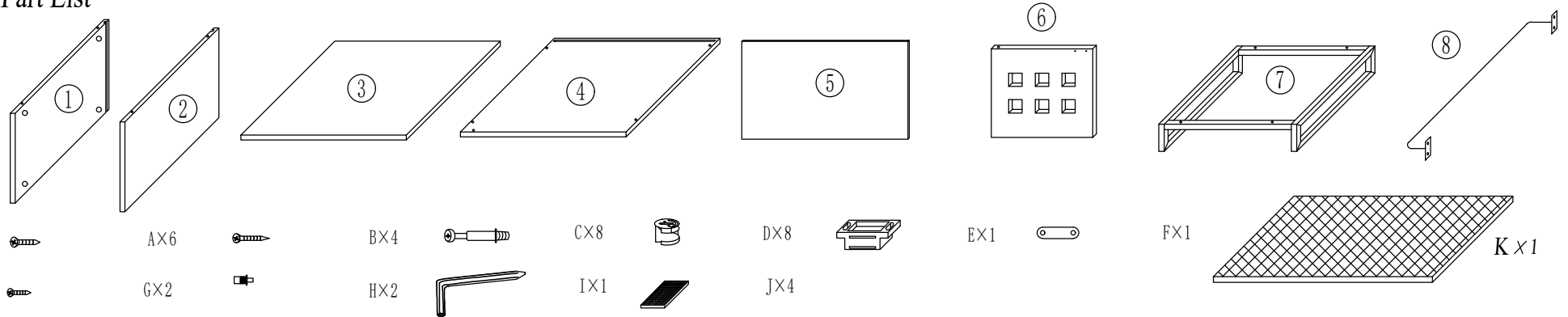
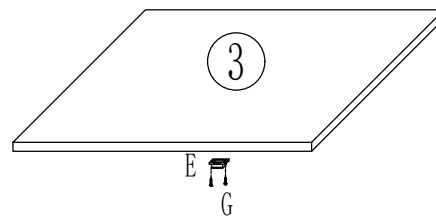


Instruction Manual

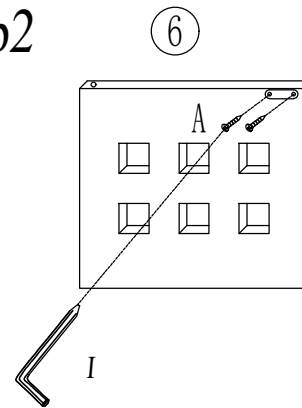
Part List



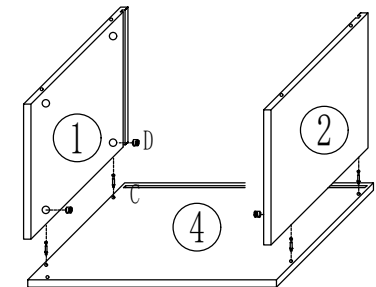
Step1



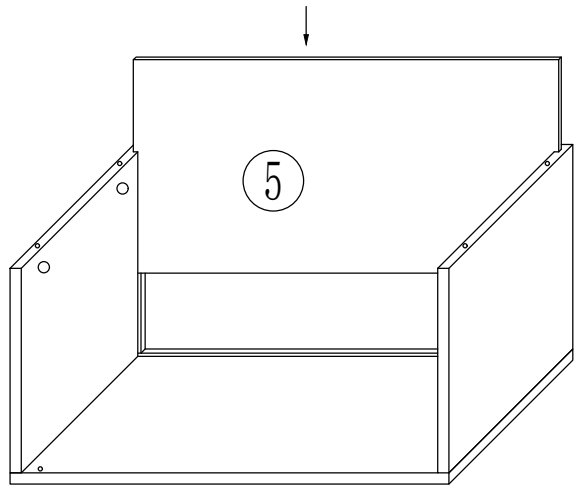
Step2



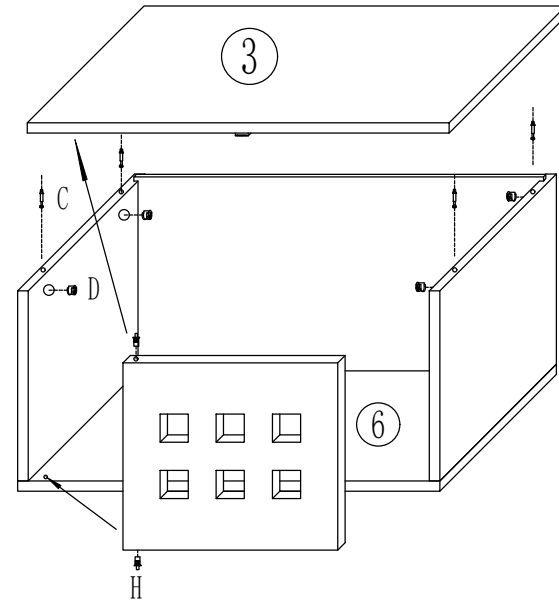
Step3



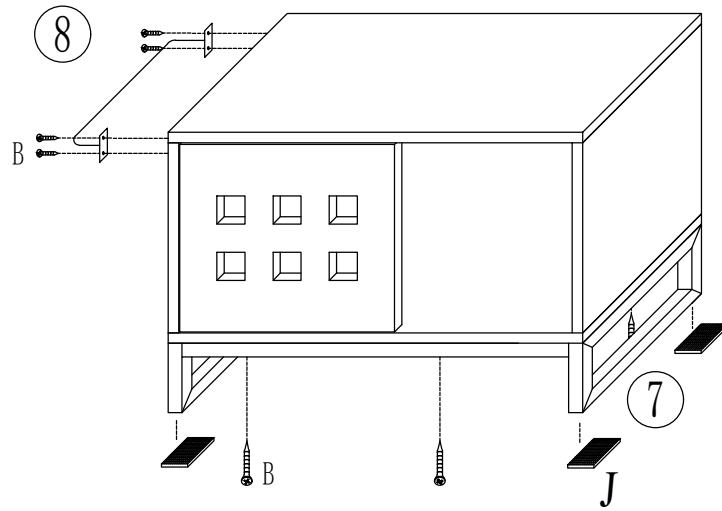
Step4



Step5



Step6



Step7

