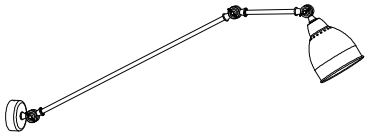
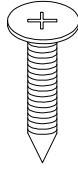


A



x 1

B



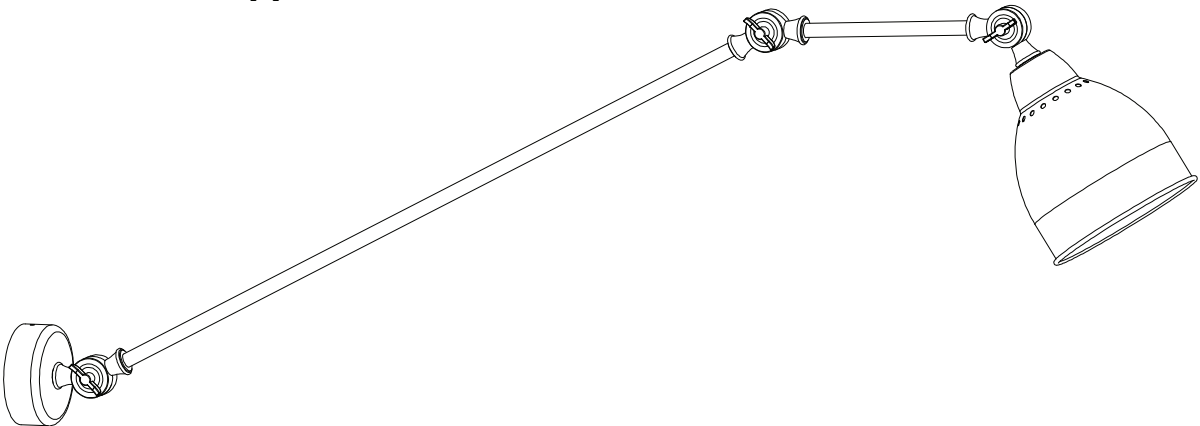
x 2

C

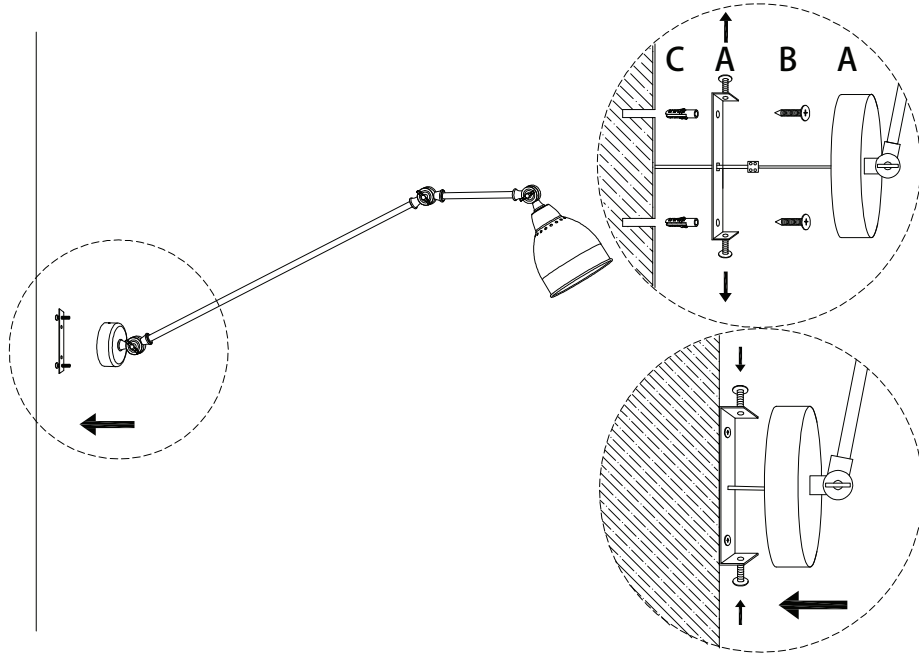
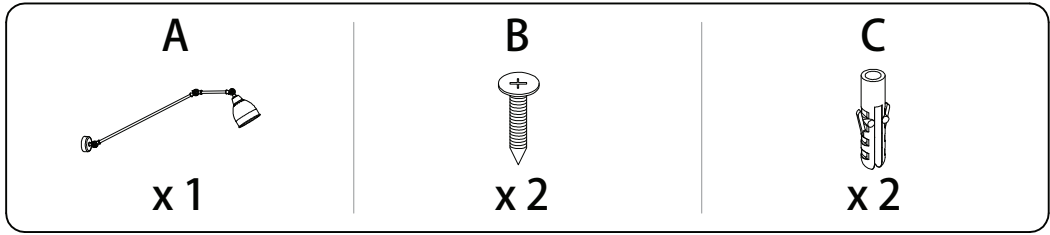


x 2

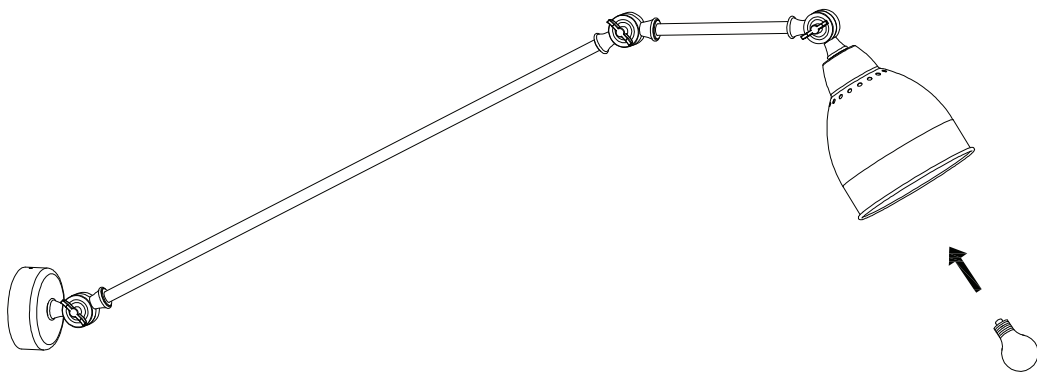
A



1



!



!

