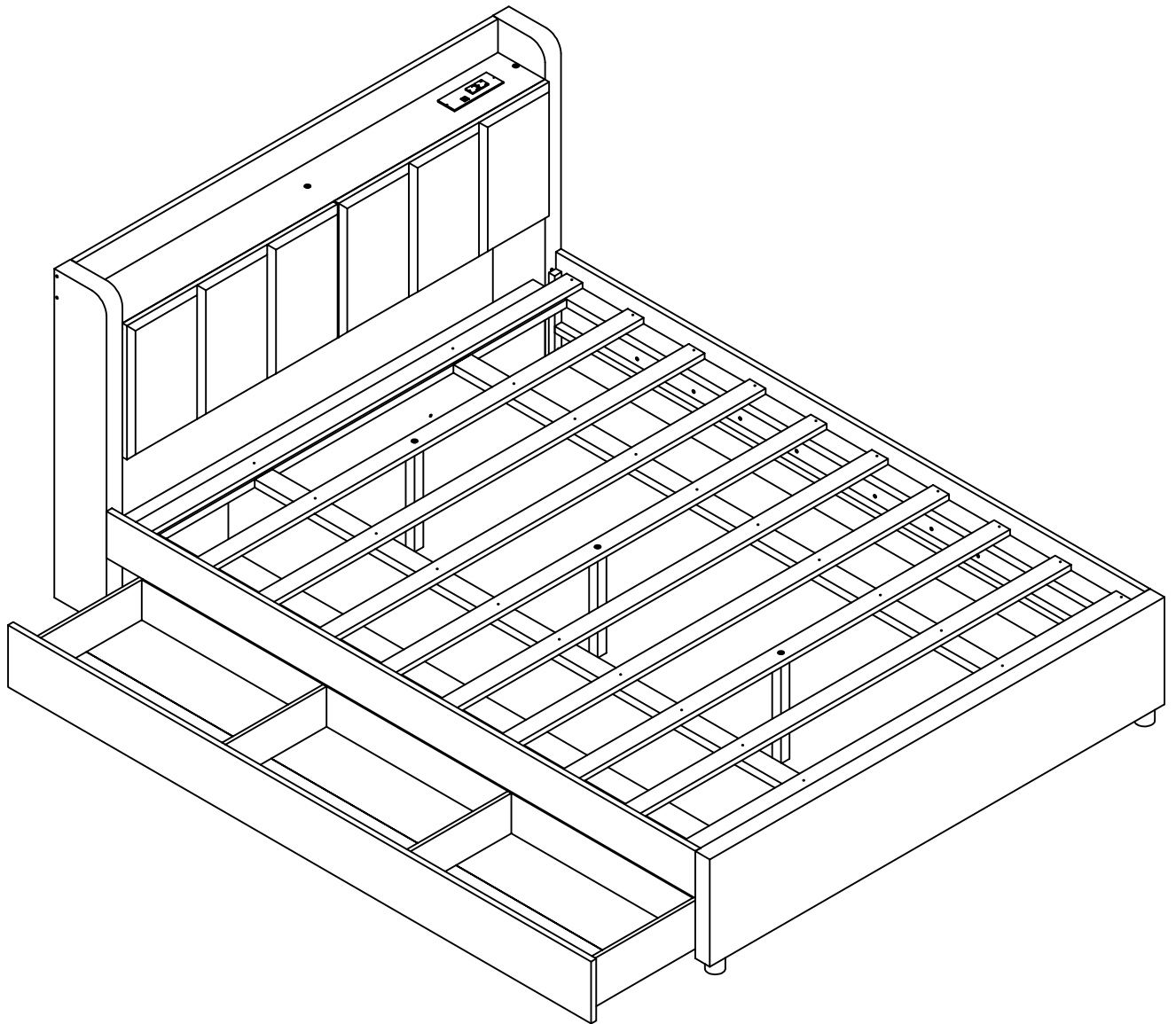
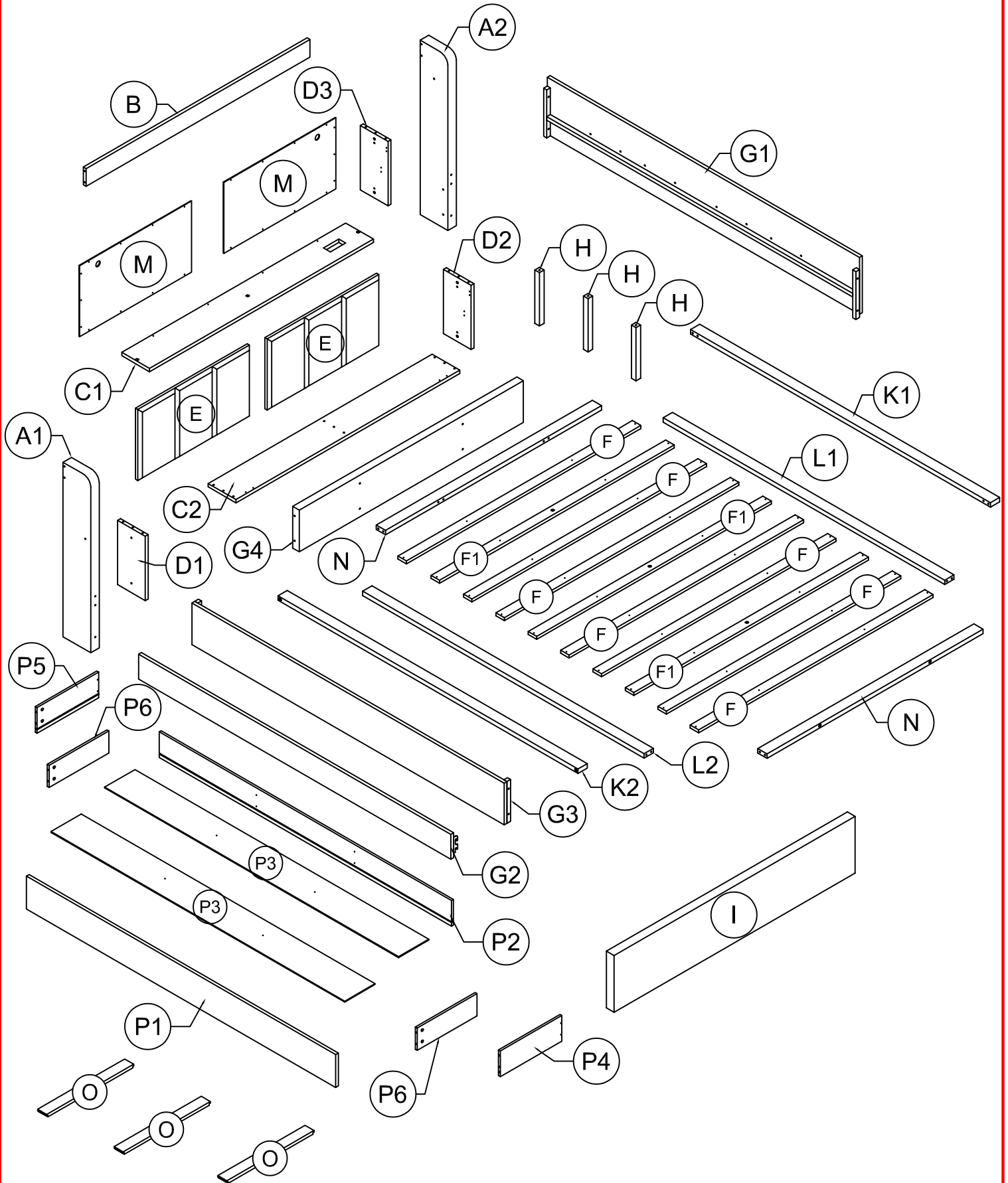


ASSEMBLY INSTRUCTION

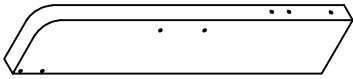


ASSEMBLY INSTRUCTION



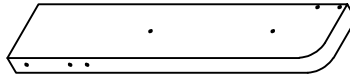
Part List

A1



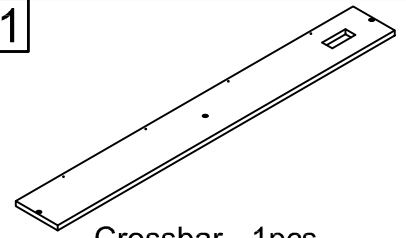
Legs left HB - 1pcs

A2



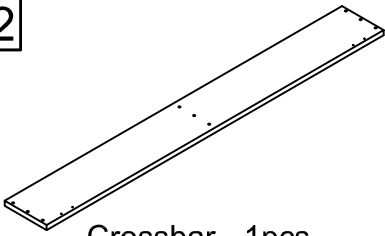
Legs right HB - 1pcs

C1



Crossbar - 1pcs

C2



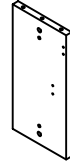
Crossbar - 1pcs

D1



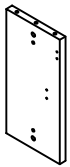
Vertical bar - 1pcs

D2



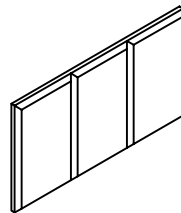
Vertical bar - 1pcs

D3



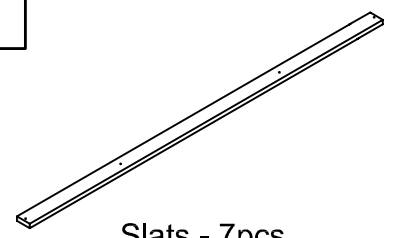
Head board - 1pcs

E



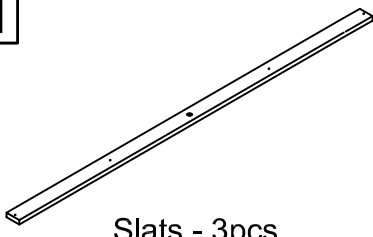
Head board - 2pcs

F



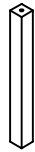
Slats - 7pcs

F1



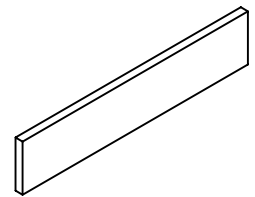
Slats - 3pcs

H



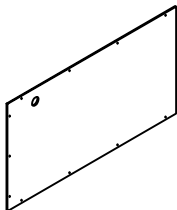
Legs support - 3pcs

I



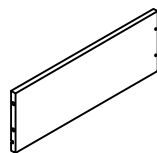
Foot board - 1pcs

M



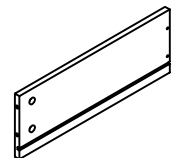
Back panel - 2pcs

P4



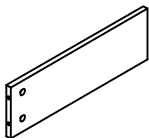
Drawer - Side left panel - 1pcs

P5



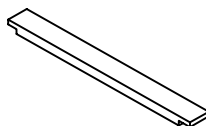
Drawer - Side right panel - 1pcs

P6






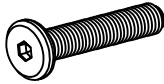


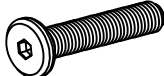
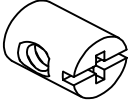
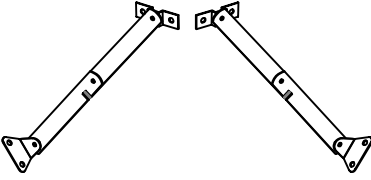
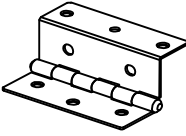

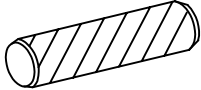

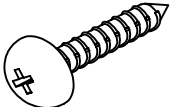

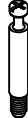

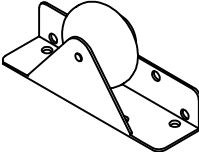
Drawer - Middle plate - 2pcs

O



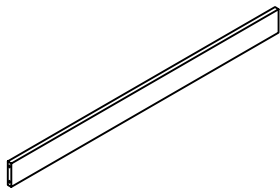
Drawer - Support bars - 3pcs

Hardware List

<p>1</p>  <p>Plastic Feet(Ø32x16) 2pcs</p>	<p>2</p>  <p>Plastic Feet(Ø50x40) 2pcs</p>	<p>3</p>  <p>M4 x 30 mm Wood Screws 55pcs</p>
<p>4</p>  <p>#4 x 15 mm Wood Screws 46pcs</p>	<p>5</p>  <p>1/4" x 50mm Hex-Head bolts 26pcs</p>	<p>6</p>  <p>1/4" x 100mm Hex-Head bolts 12pcs</p>
<p>7</p>  <p>1/4" x 20mm Hex-Head bolts 10pcs</p>	<p>8</p>  <p>1/4" x 30mm Hex-Head bolts 7pcs</p>	<p>9</p>  <p>Ø11.5 x 15 mm Horizontal-Hole bolts 18pcs</p>
<p>10</p>  <p>Crankshaft 4pcs (2L-2R)</p>	<p>11</p>  <p>Hinge 60mm 4pcs</p>	<p>12</p>  <p>Clamp pin 4pcs</p>
<p>13</p>  <p>Ø8 x 30 mm Wood dowel 20pcs</p>	<p>14</p>  <p>#4 x 50 mm Wood Screws 4pcs</p>	<p>15</p>  <p>Allen Key 1pcs</p>
<p>16</p>  <p>#3.5 x 15 mm Wood Screws 32pcs</p>	<p>17</p>  <p>USB Power Outlet 1 pc</p>	<p>18</p>  <p>1/4" x 20 mm Wood Screws 8pcs</p>
<p>20</p>  <p>Pabric 1pc</p>	<p>21</p>  <p>Carpet Fabric 1pc</p>	<p>22</p>  <p>Connecting screw 8 pcs</p>
<p>23</p>  <p>Locking screw 8 pcs</p>	<p>24</p>  <p>Wheels 4 pcs</p>	<p>25</p>  <p>Steels Bucket 2 pcs</p>

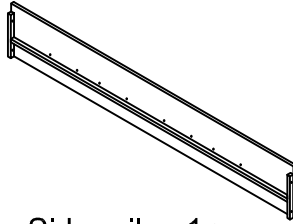
Hardware List

B



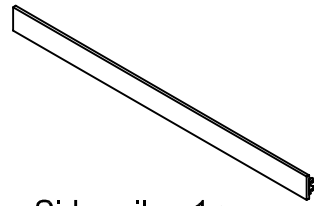
Crossbar - 1pcs

G1



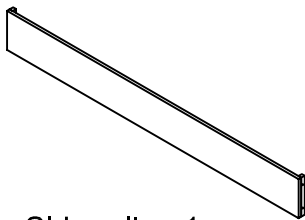
Side rails - 1pcs

G2



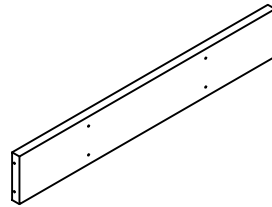
Side rails - 1pcs

G3



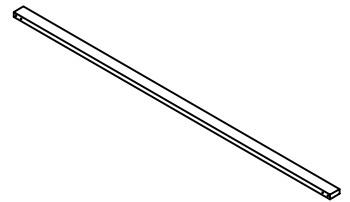
Side rails - 1pcs

G4



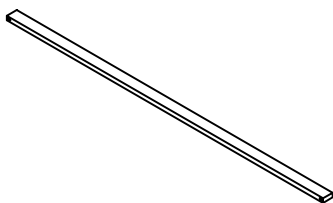
Top panel - 1pcs

K1



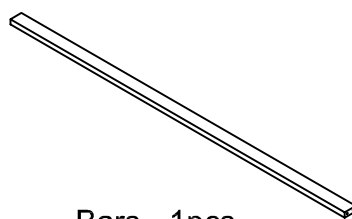
Bars - 1pcs

K2



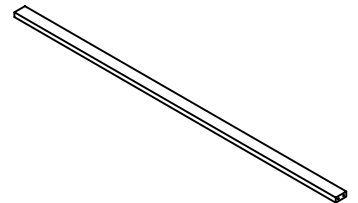
Bars - 1pcs

L1



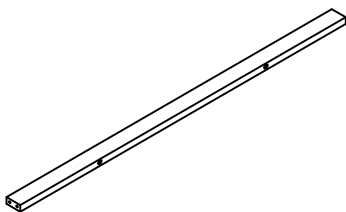
Bars - 1pcs

L2



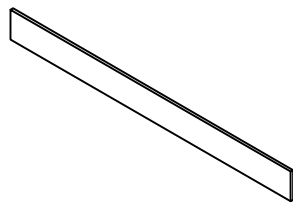
Bars - 1pcs

N



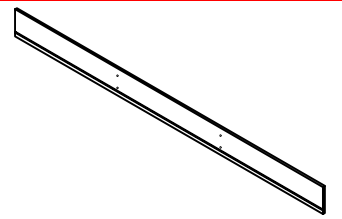
Bars - 2pcs

P1



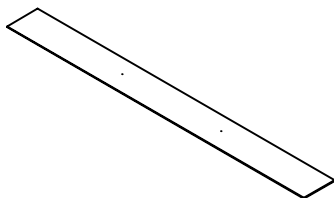
Drawer - Front panel - 1pcs

P2



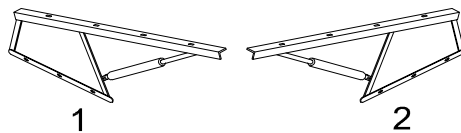
Drawer - Back panel - 1pcs

P3

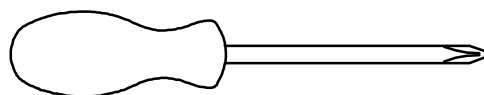


Drawer - Bottom panel - 2pcs

19

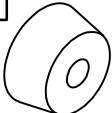
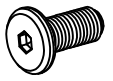
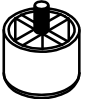


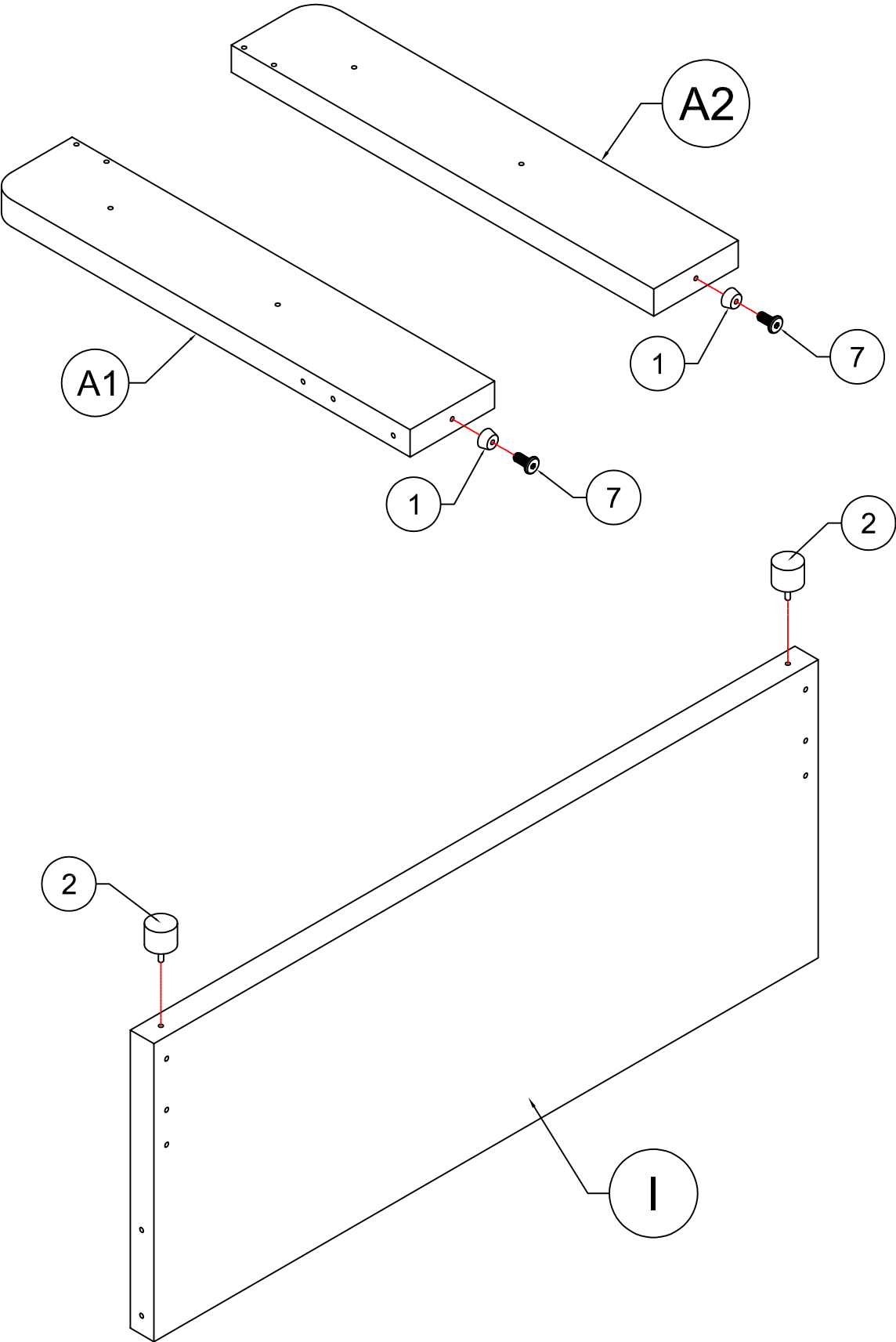
Piston 1 set



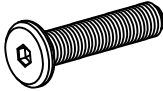
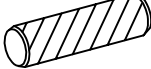
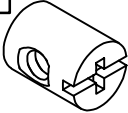
Assembly Tools Required (Not Included)

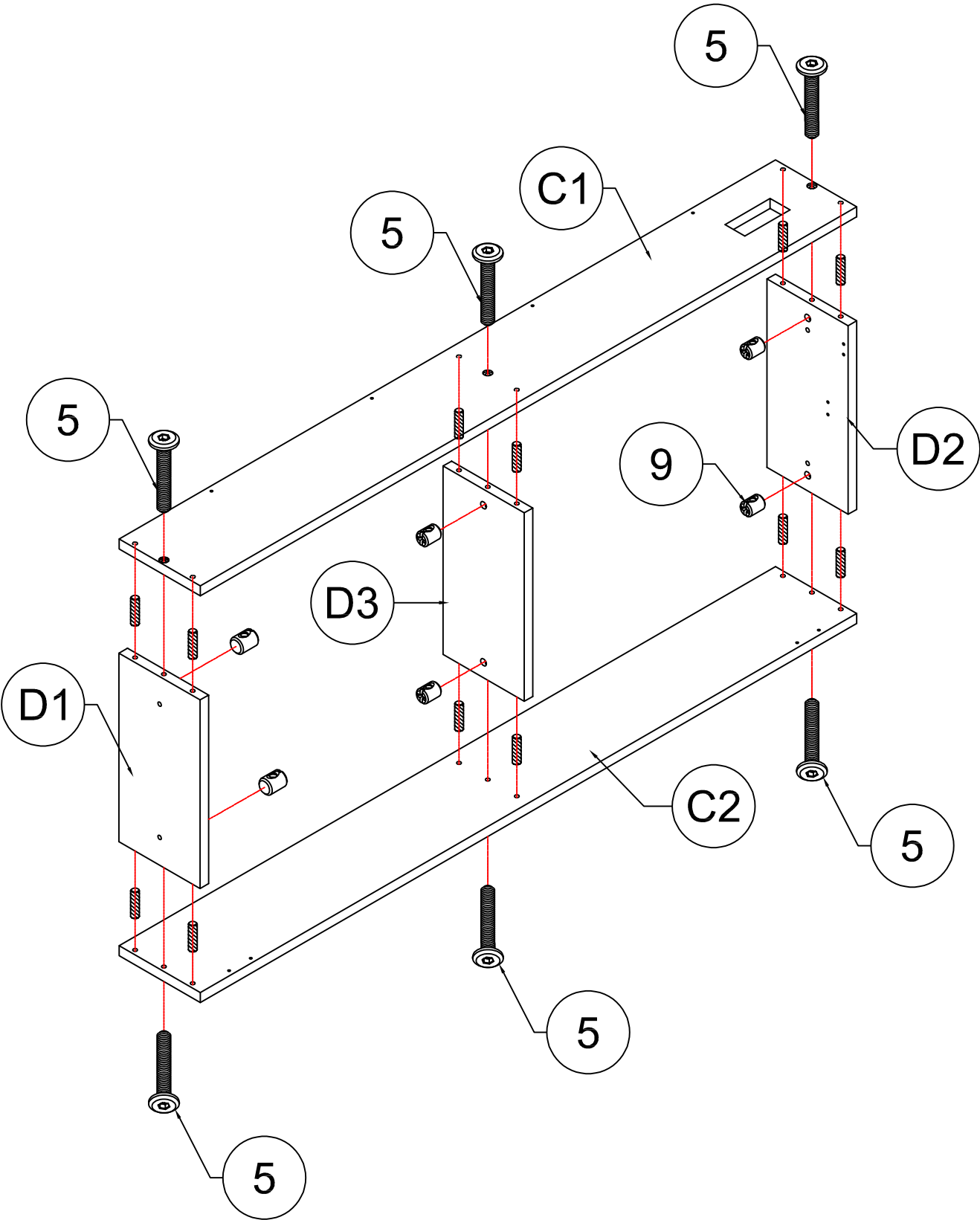
STEP 1: Following below illustration:

1	7	2
		
2pcs	2pcs	2pcs

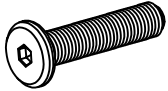


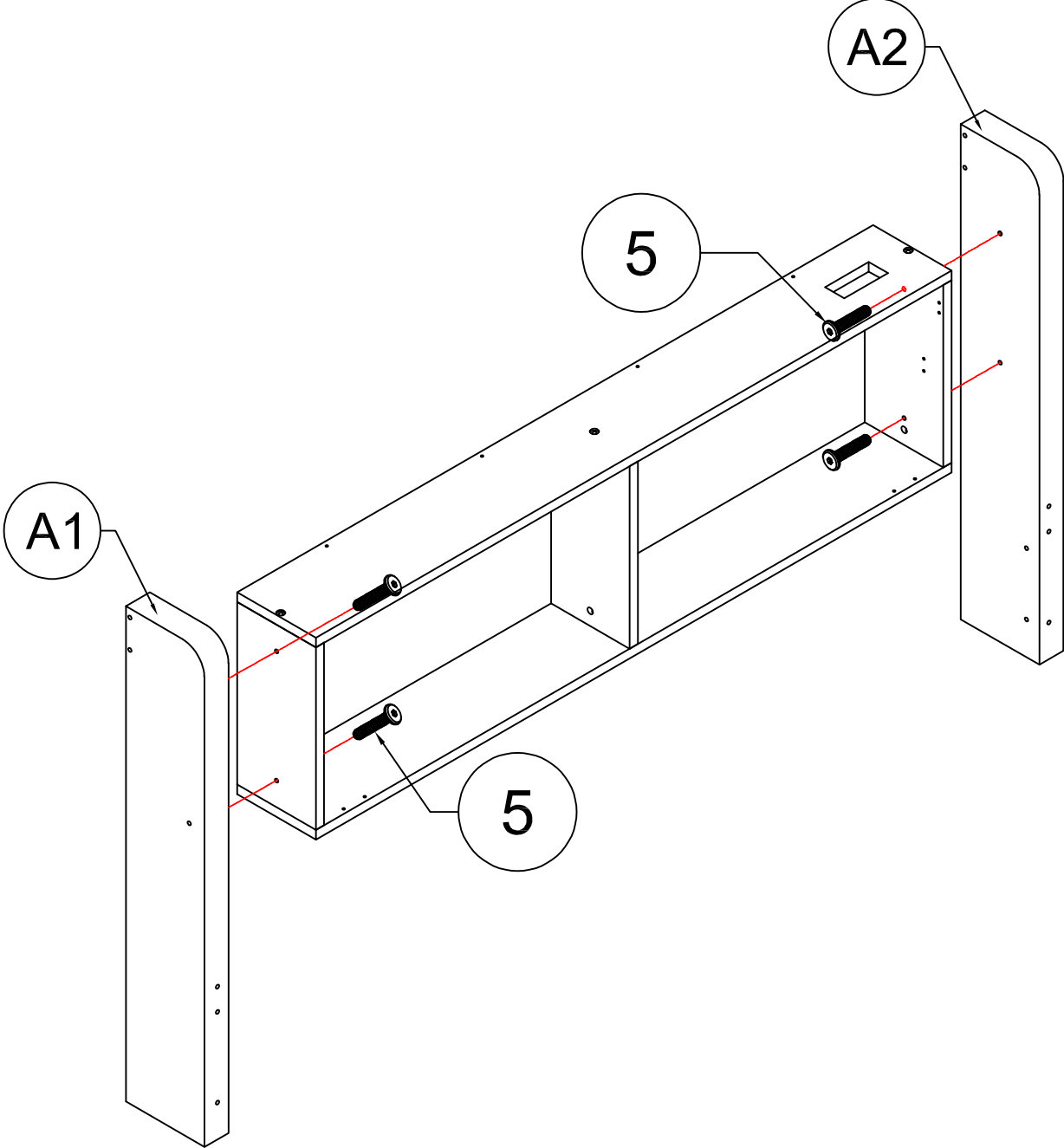
STEP 2: Following below illustration:

5	13	9
		
6pcs	12pcs	6pcs


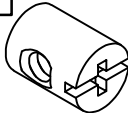



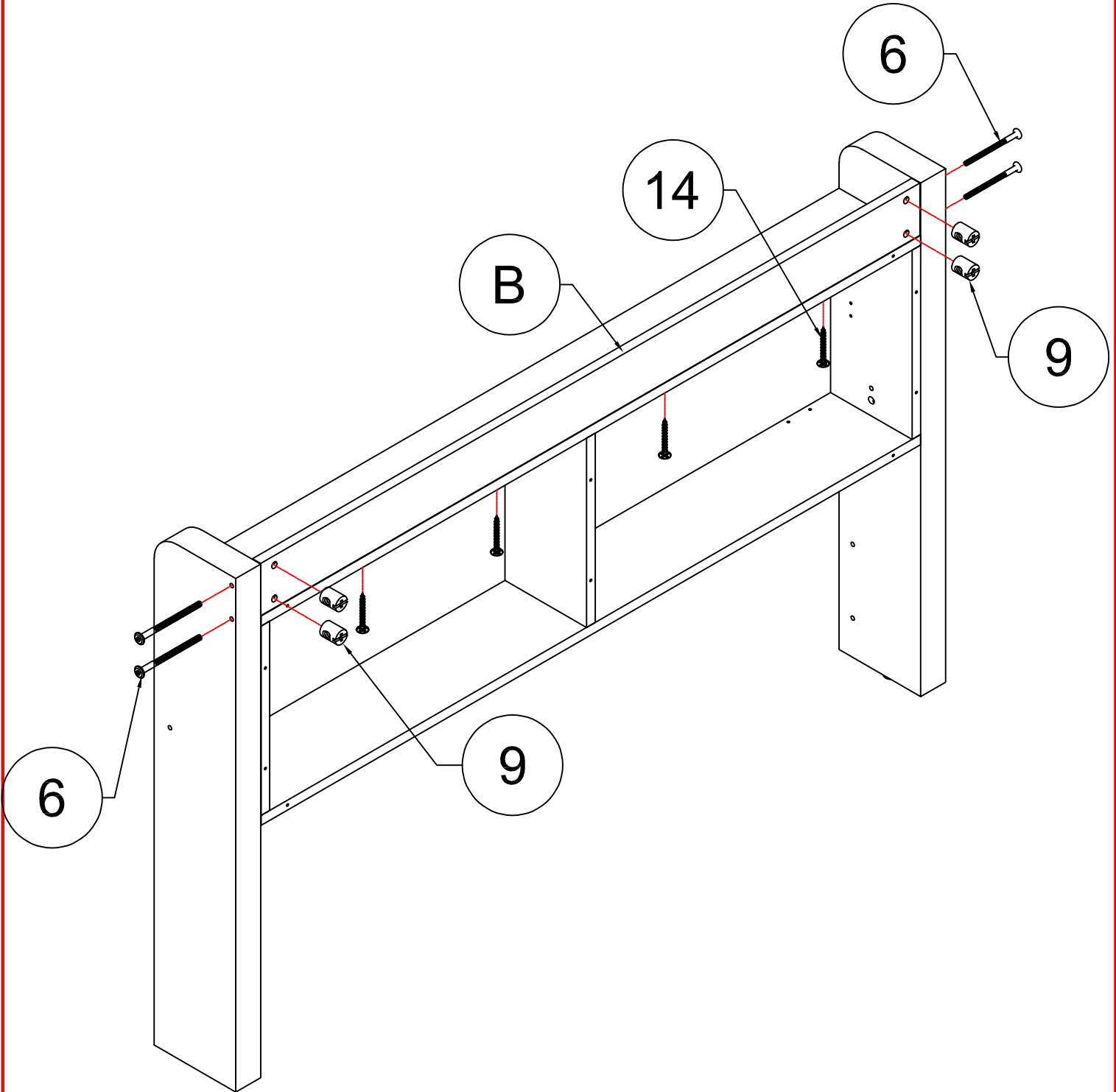
STEP 3: Following below illustration:

5

4pcs



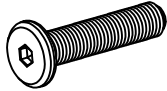
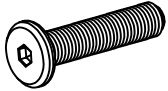
STEP 4: Following below illustration:

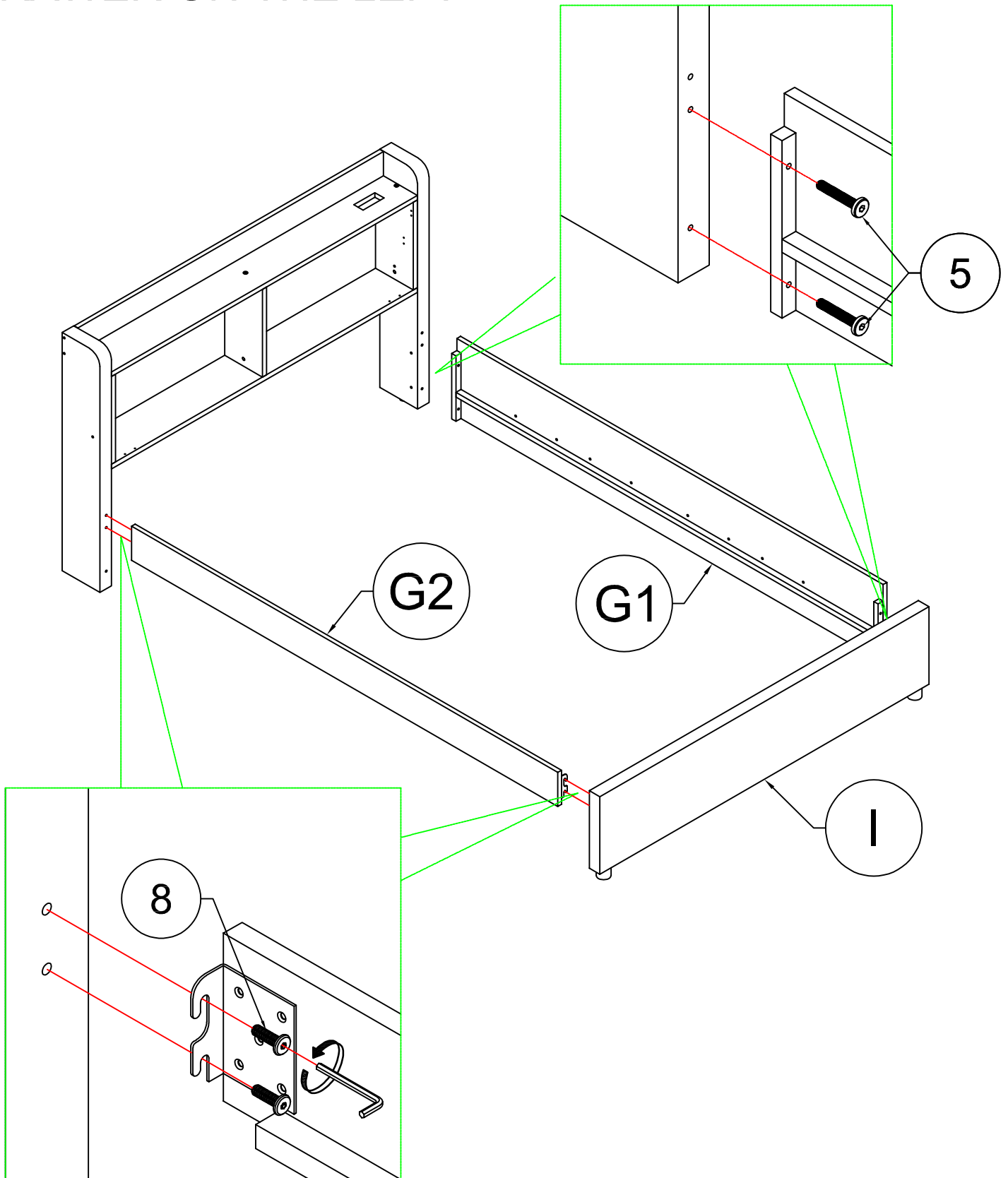
6	9	14
		
4pcs	4pcs	4pcs



STEP 5: Following below illustration:

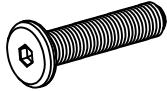
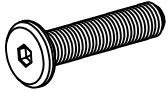
**OPTIONS 1:
DRAWER ON THE LEFT**

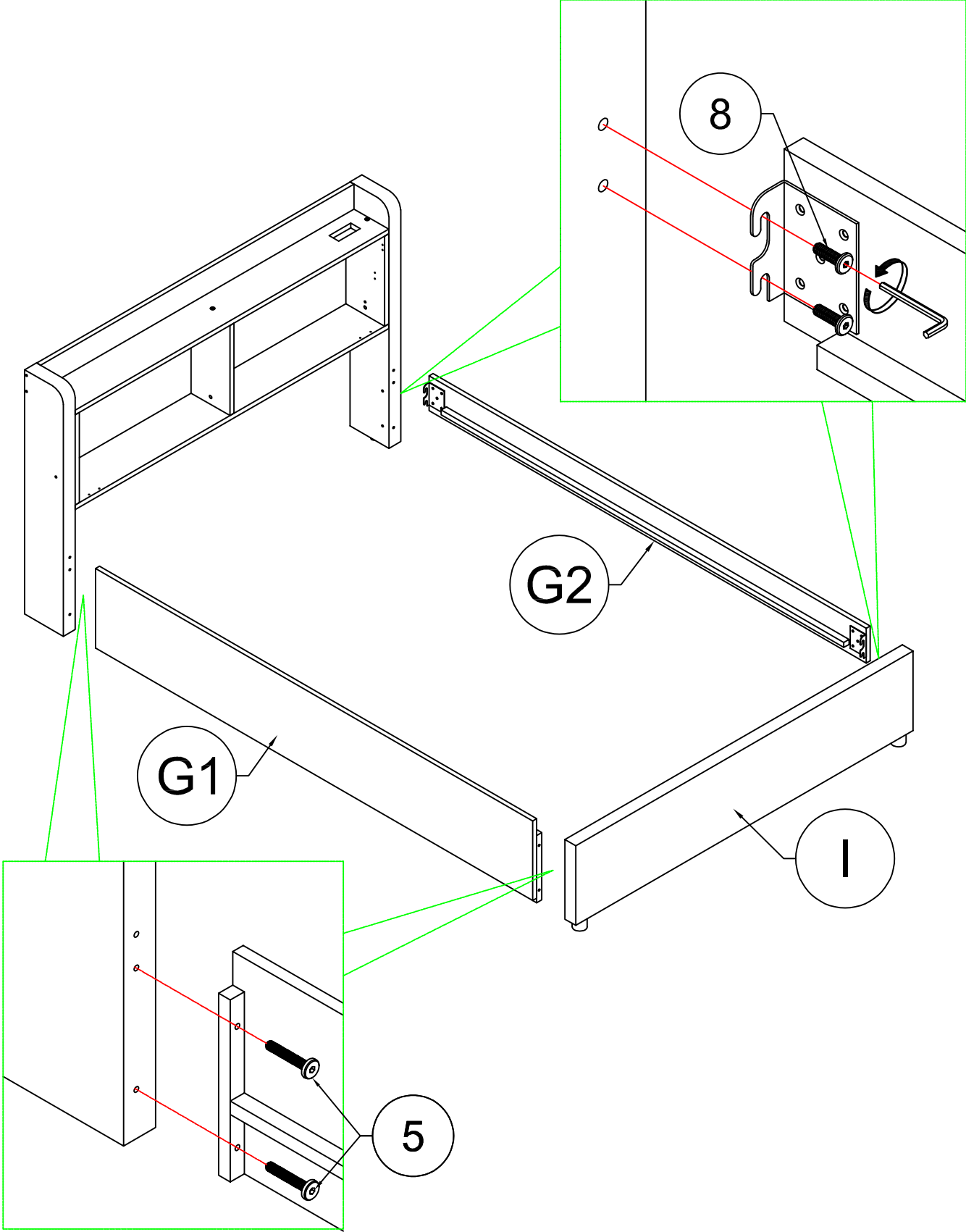
5	8
	
4pcs	4pcs



STEP 5: Following below illustration:

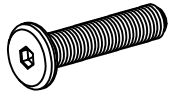
**OPTIONS 2:
DRAWER ON THE RIGHT**

5	8
	
4pcs	4pcs

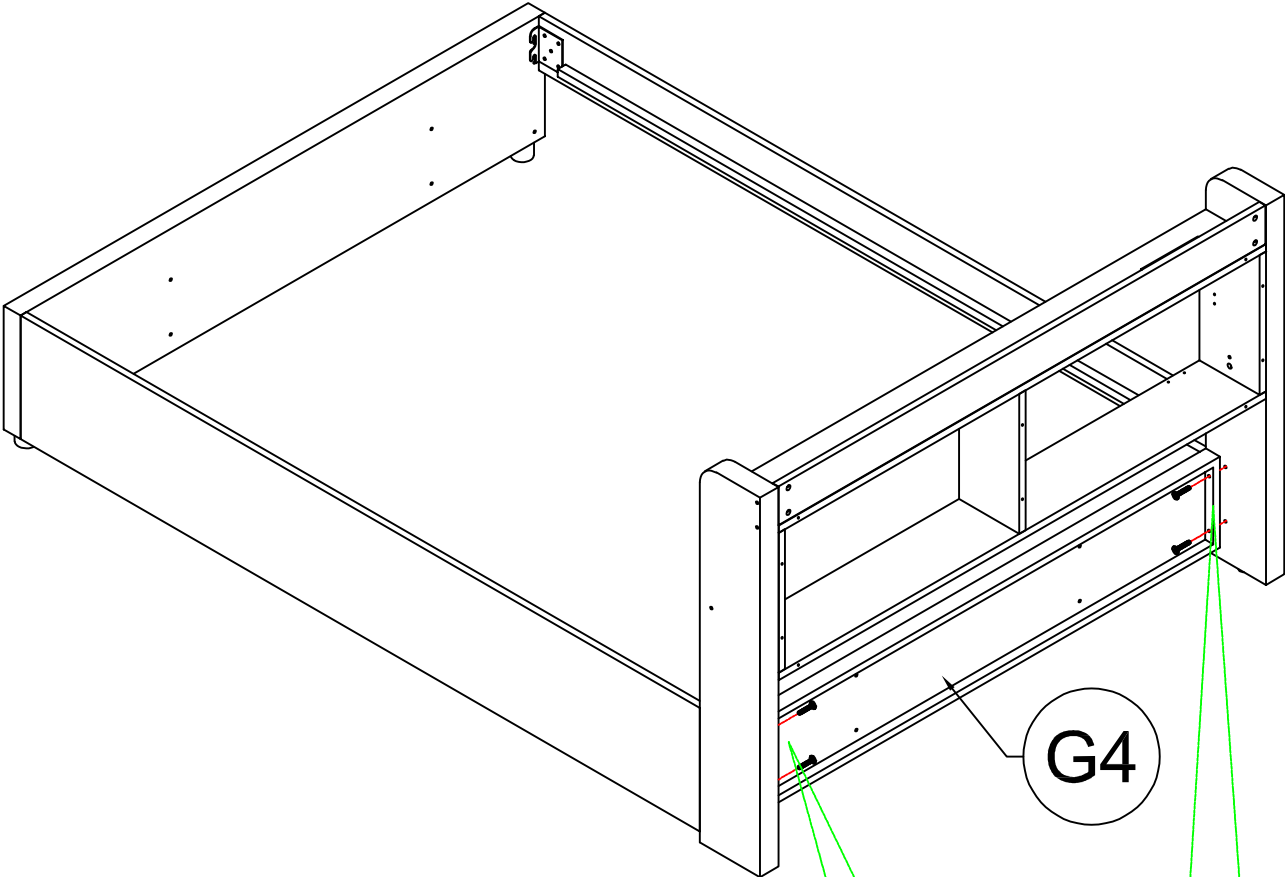


STEP 6: Following below illustration:

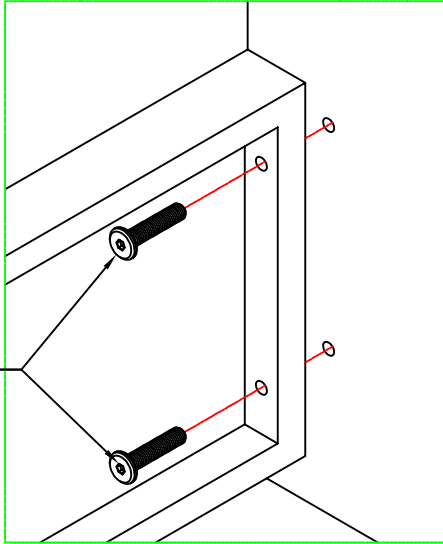
5



4pcs

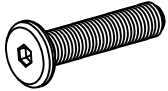


5

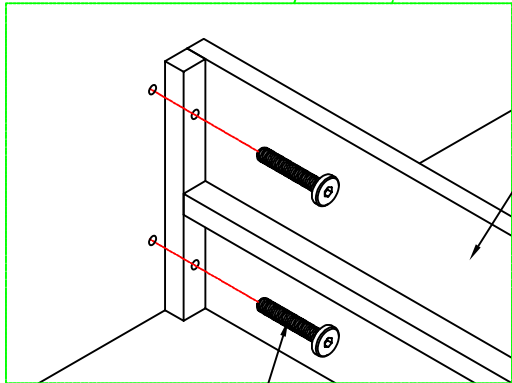
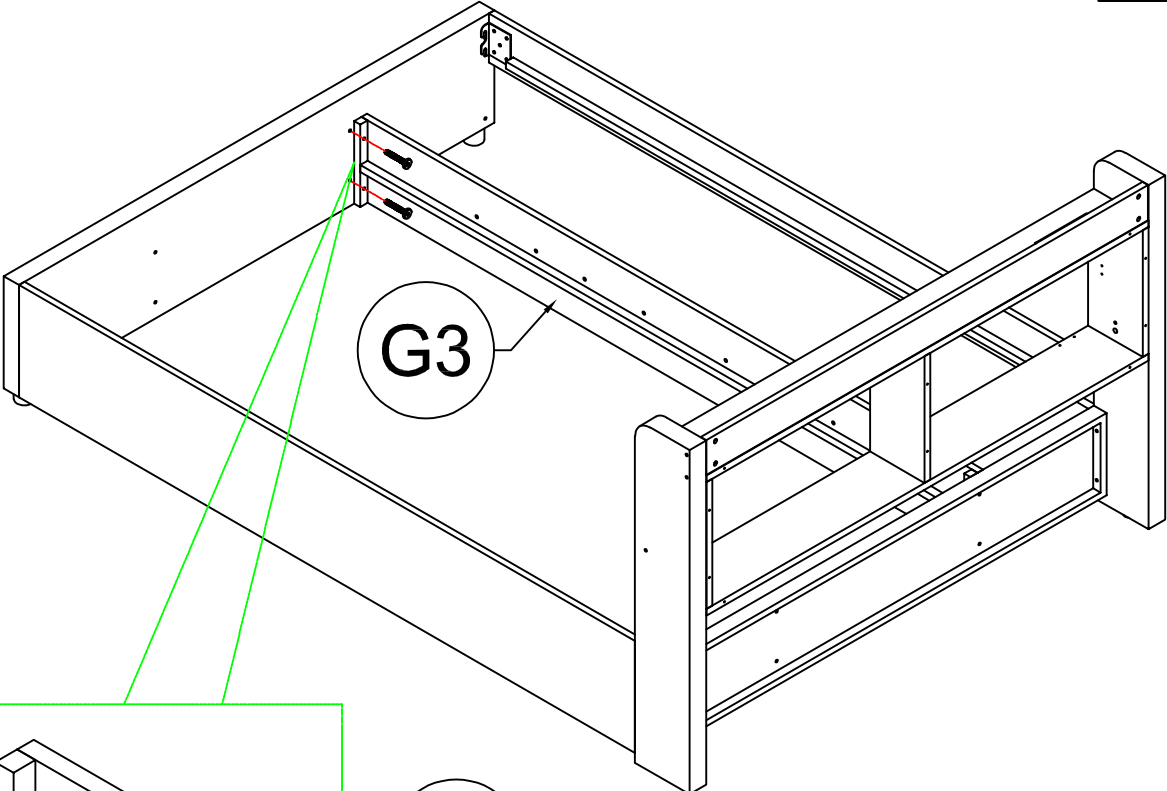


STEP 7: Following below illustration:

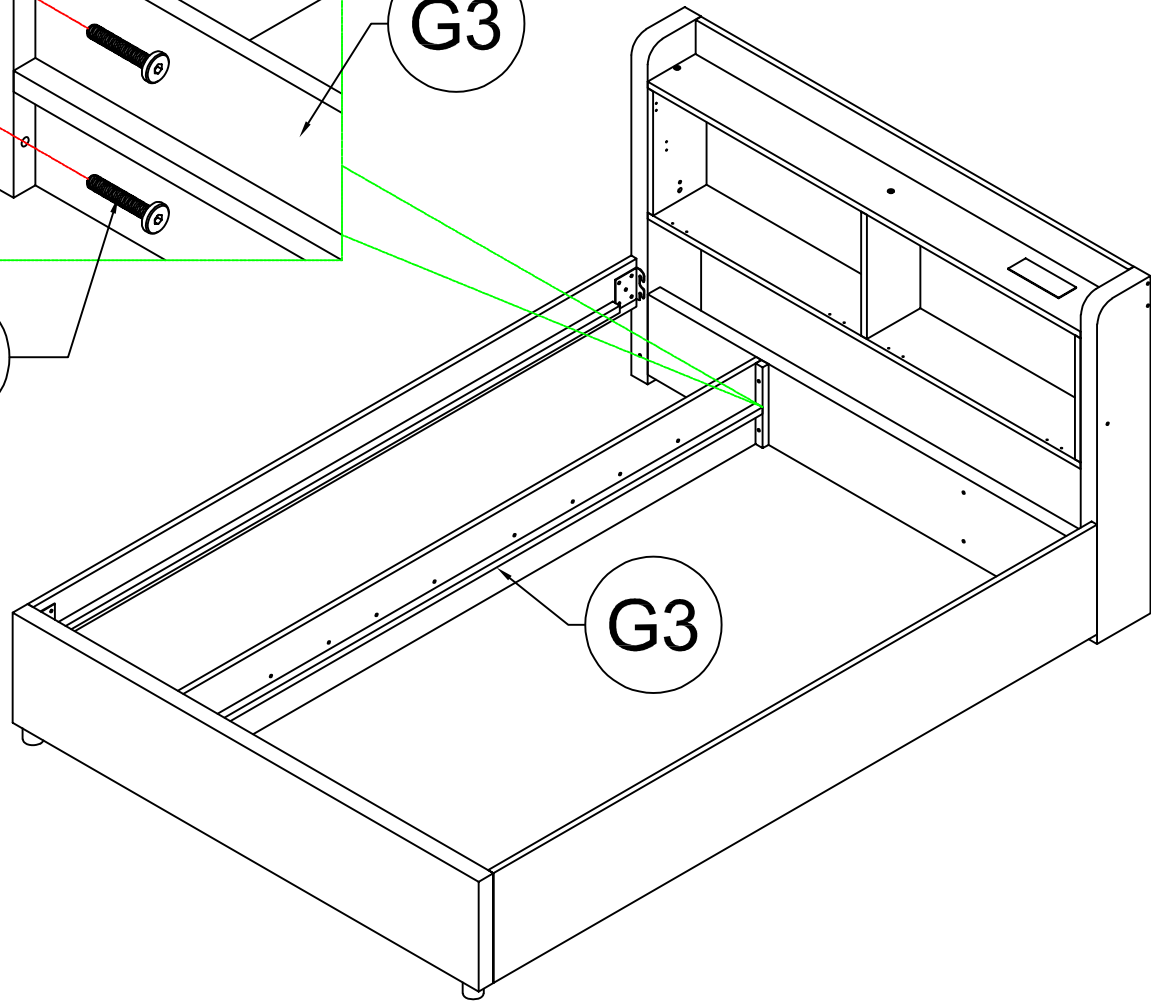
5



4pcs

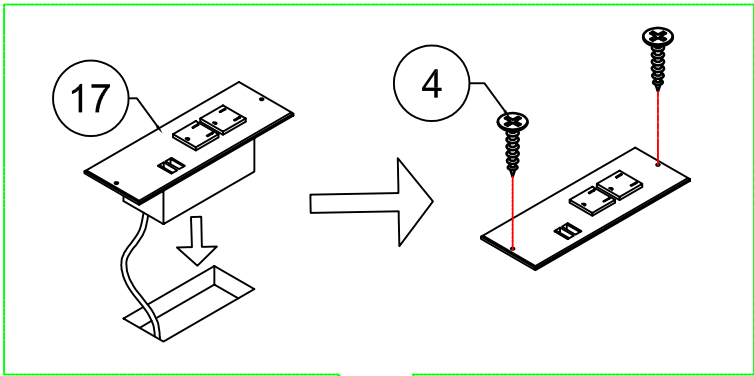


5

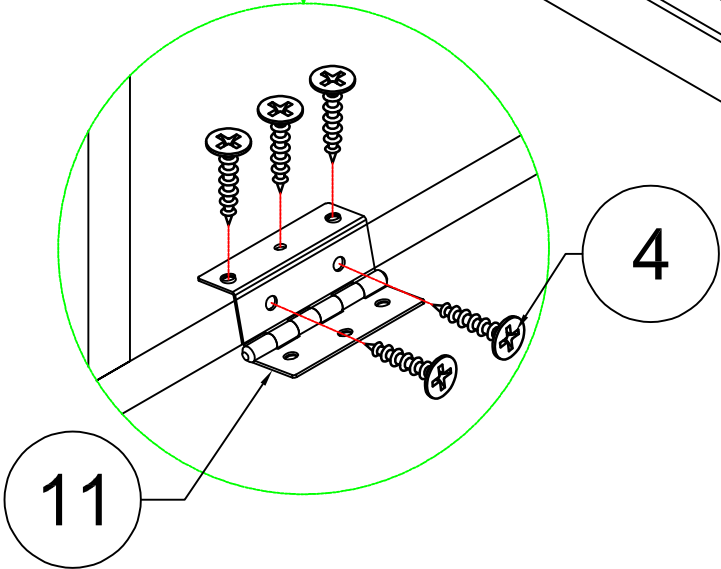
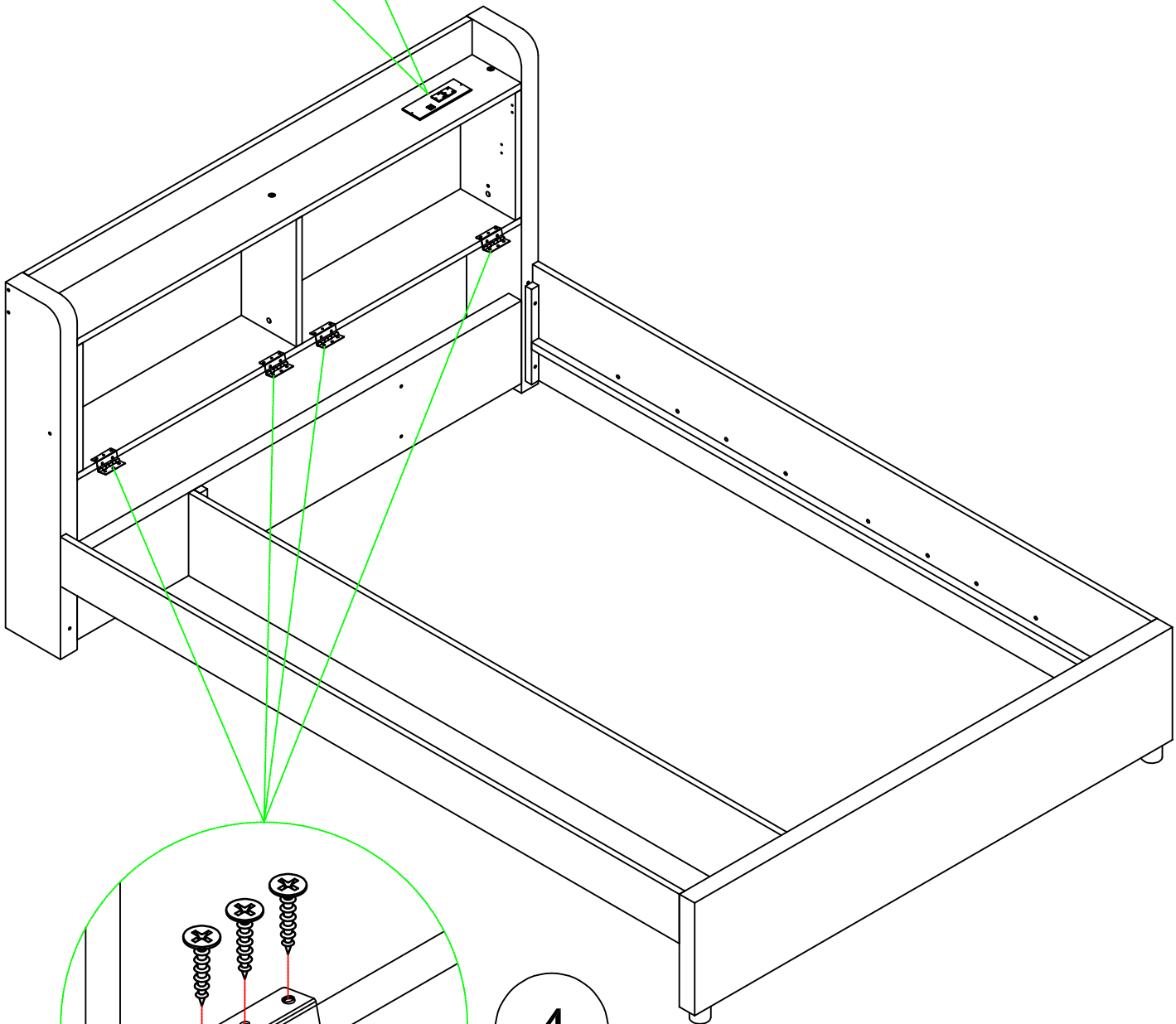


G3

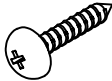
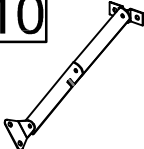
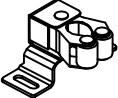
STEP 8: Following below illustration:

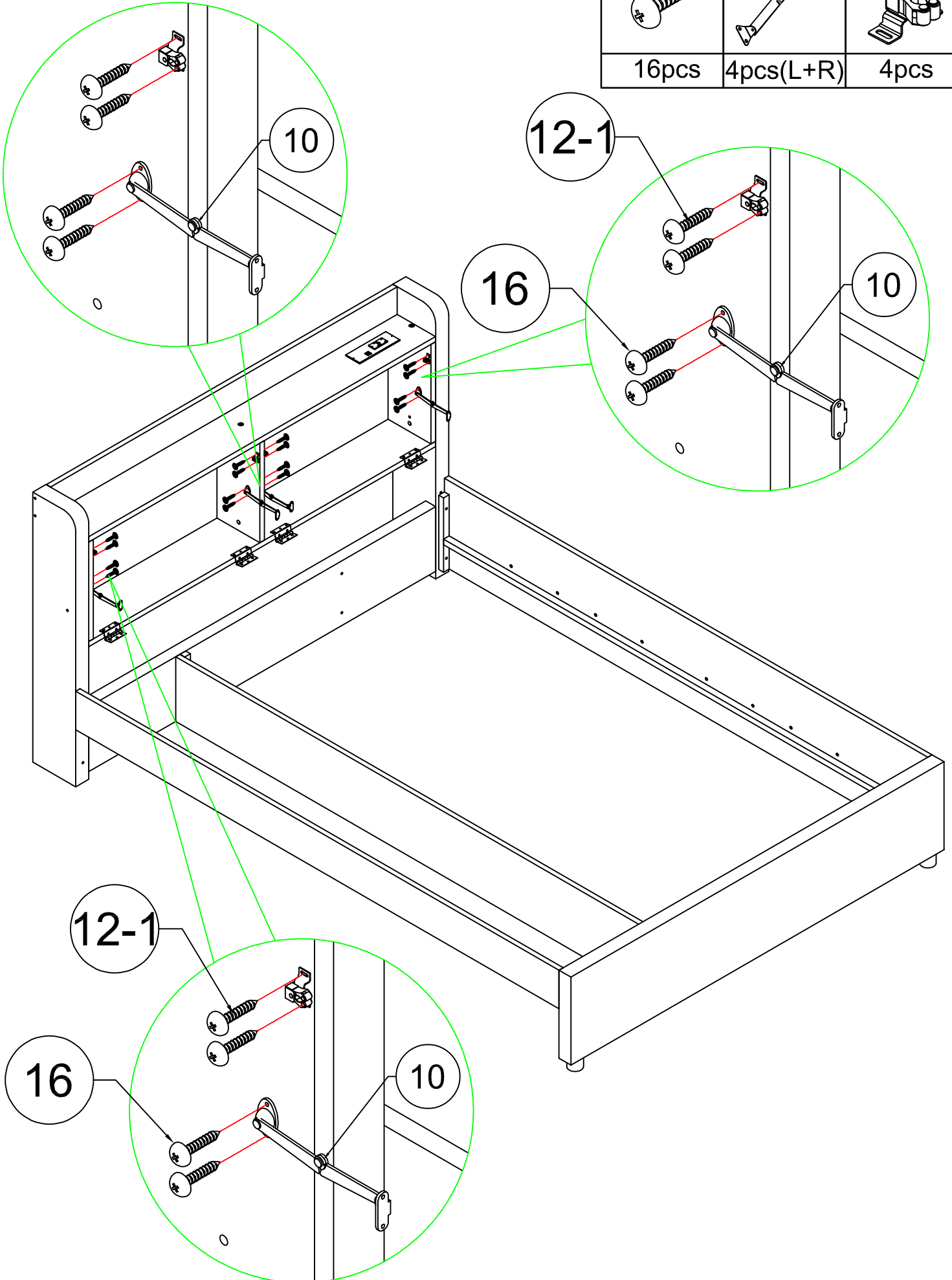


4		17	
	22pcs		1pcs
		11	
			4pcs




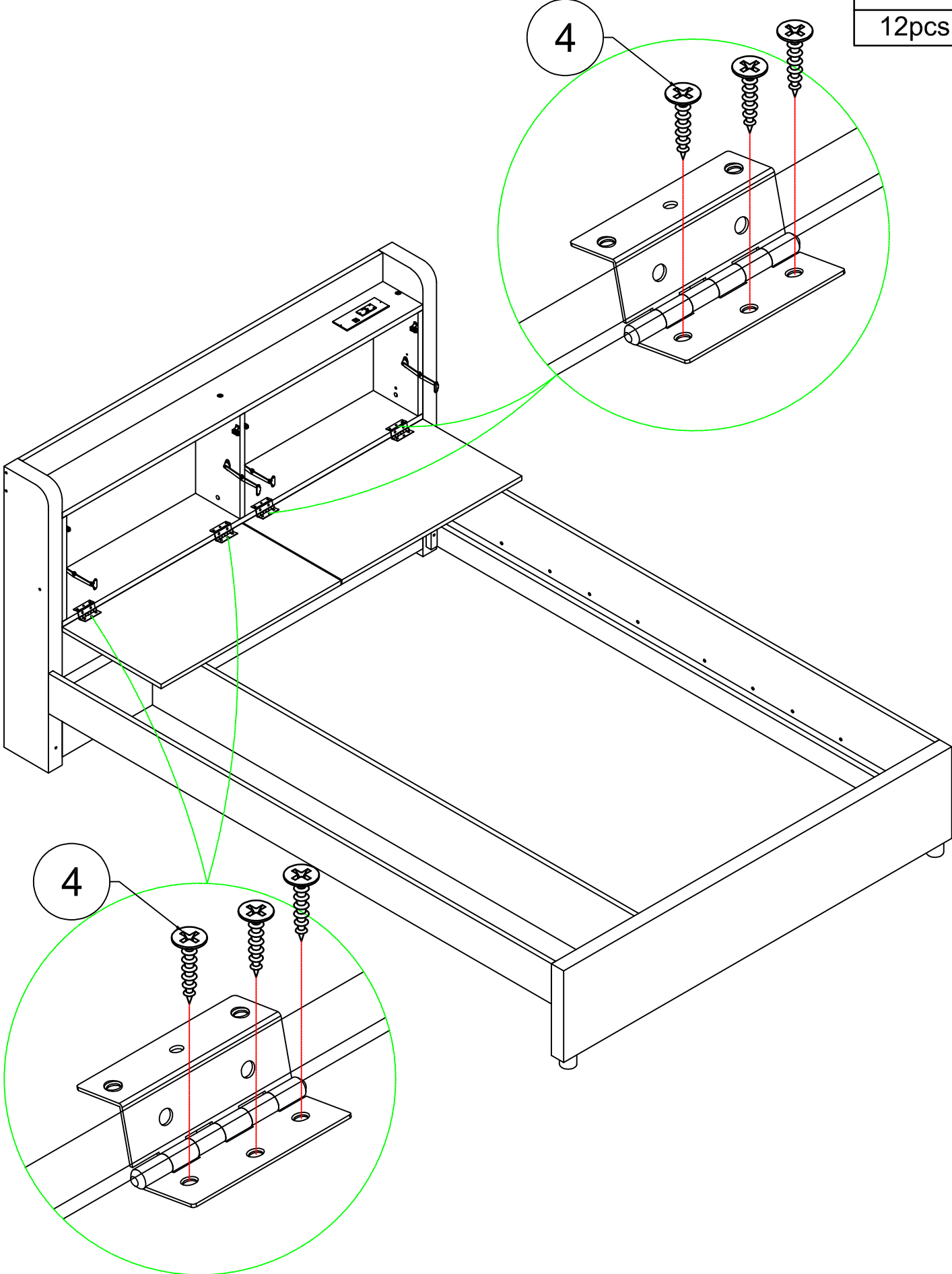
STEP 9: Following below illustration:

16	10	12-1
		
16pcs	4pcs(L+R)	4pcs



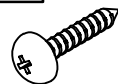
STEP 10: Following below illustration:

4	
12pcs	



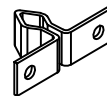
STEP 11: Following below illustration:

16

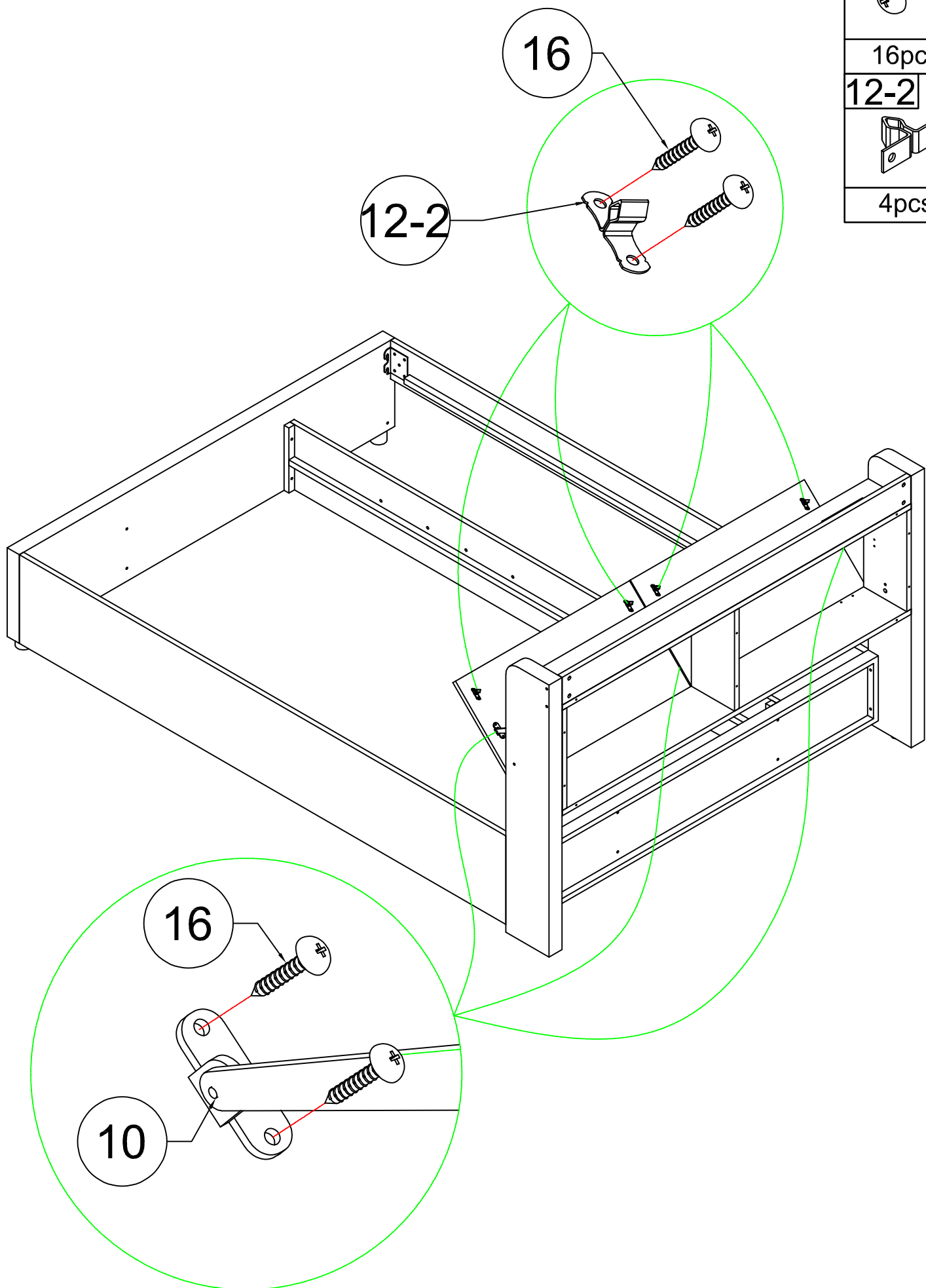


16pcs

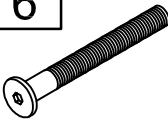

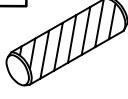
12-2

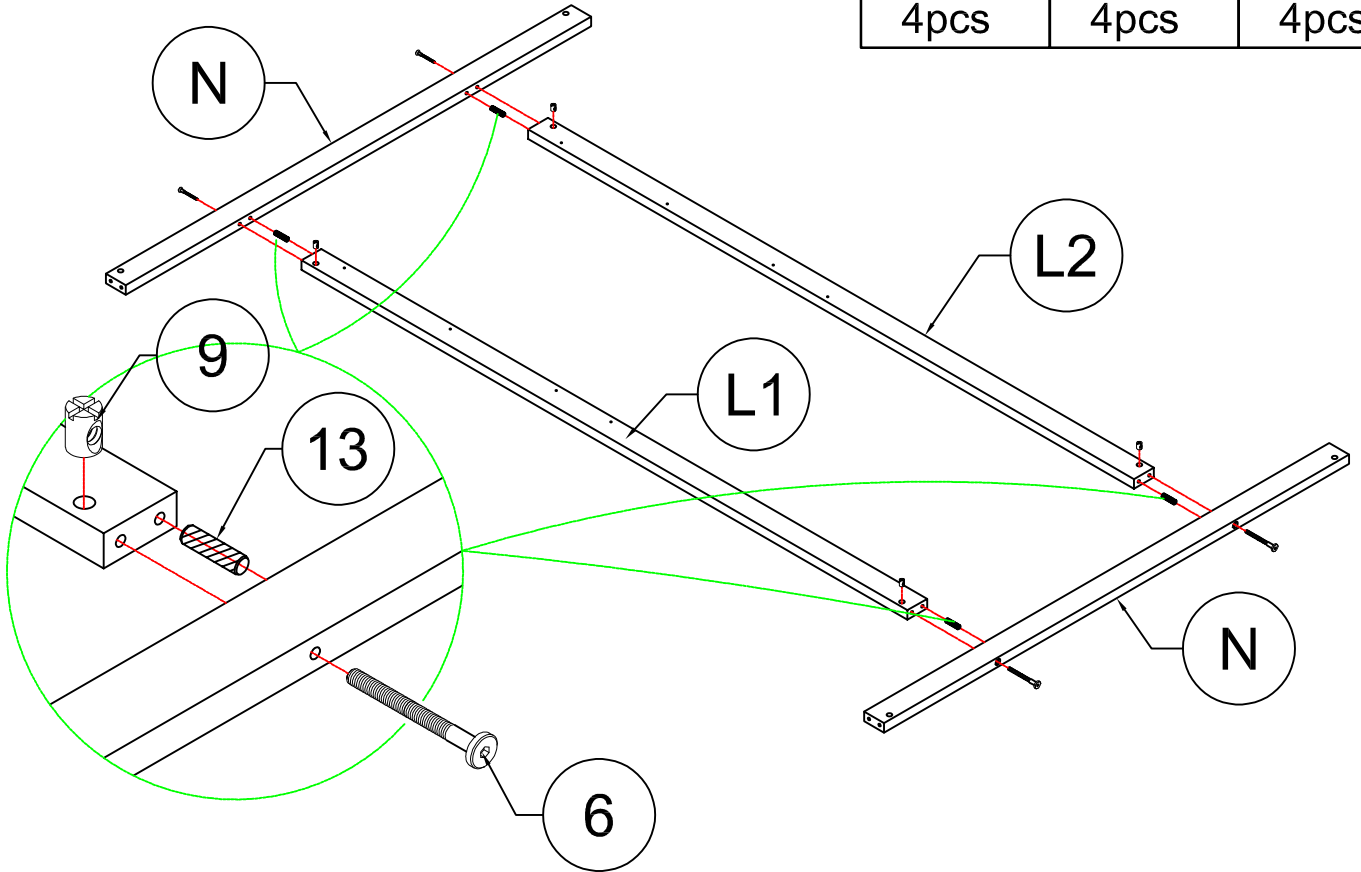


4pcs

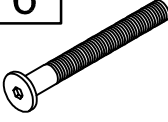

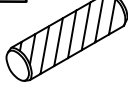


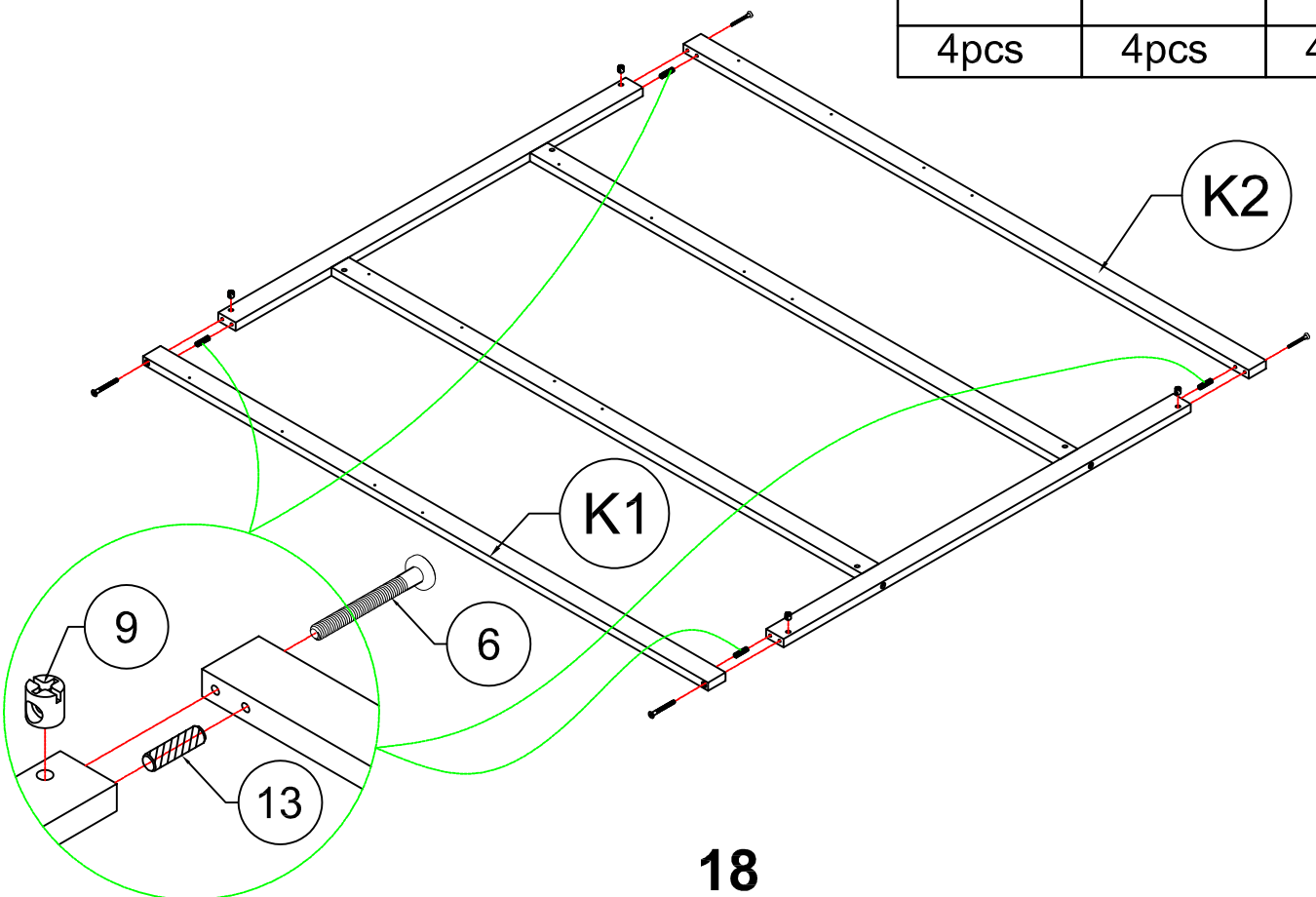
STEP 12: Following below illustration:

6	9	13
		
4pcs	4pcs	4pcs

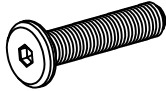
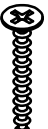



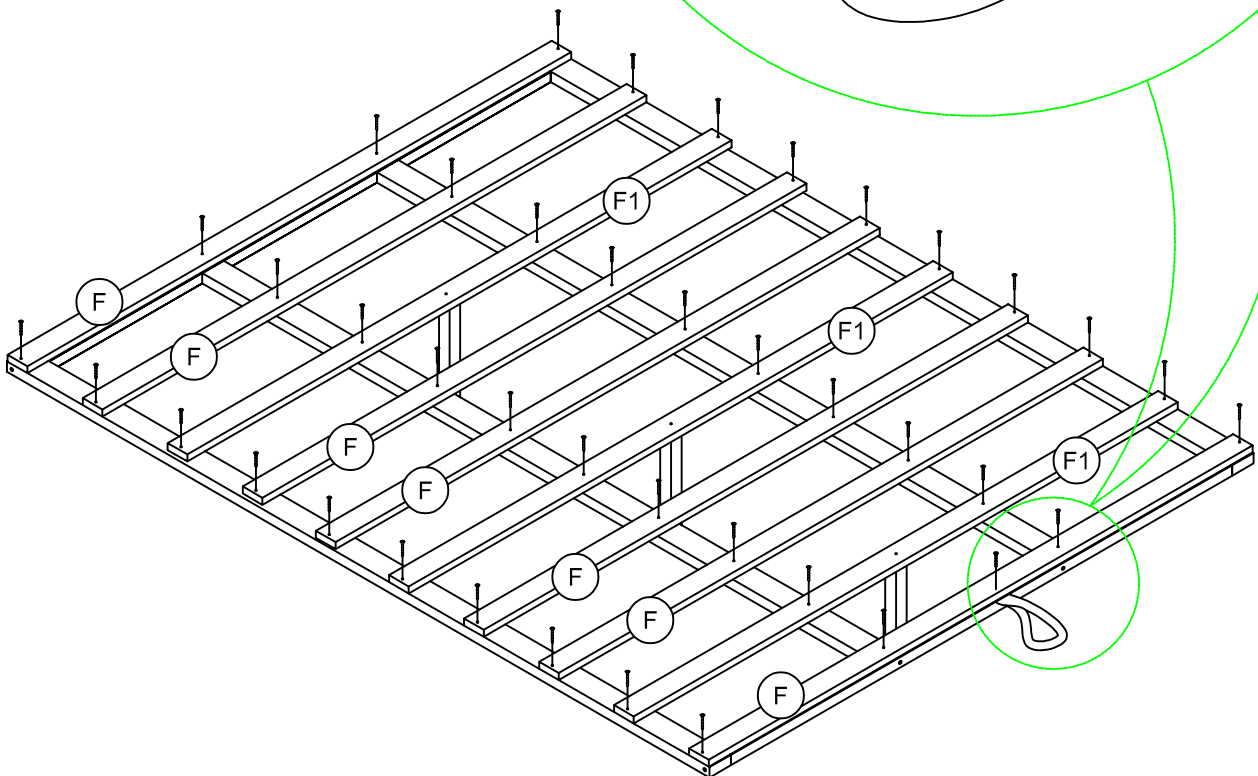
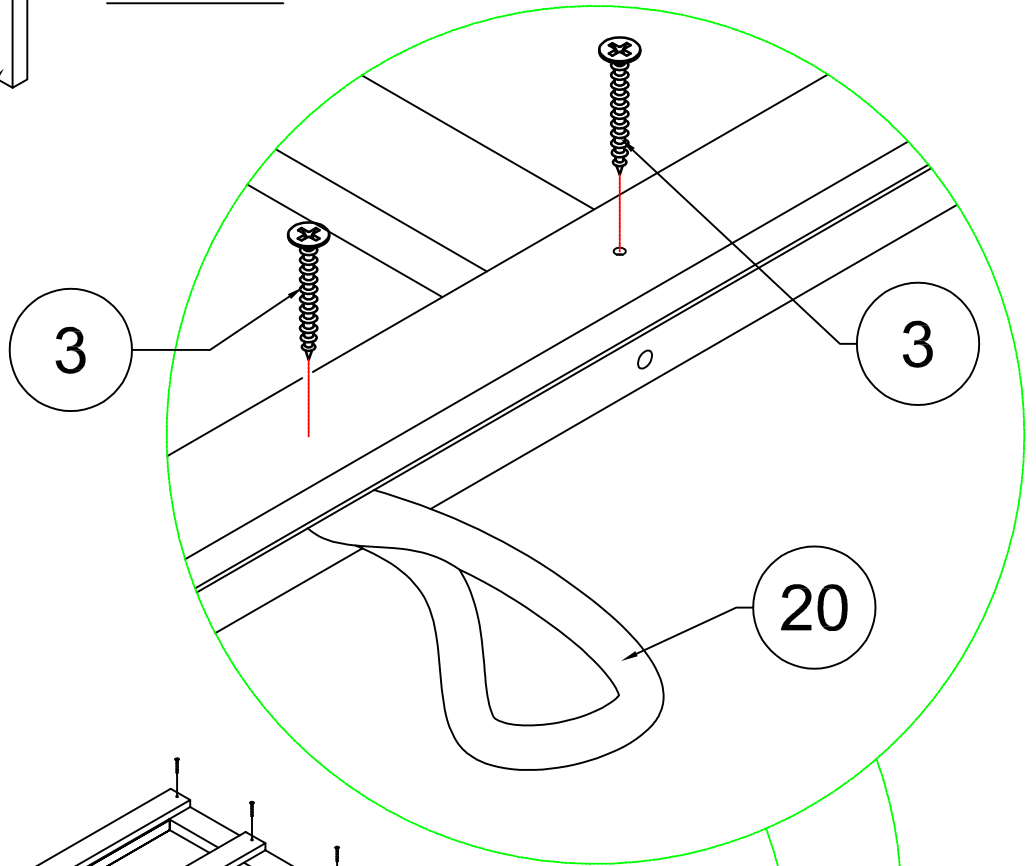
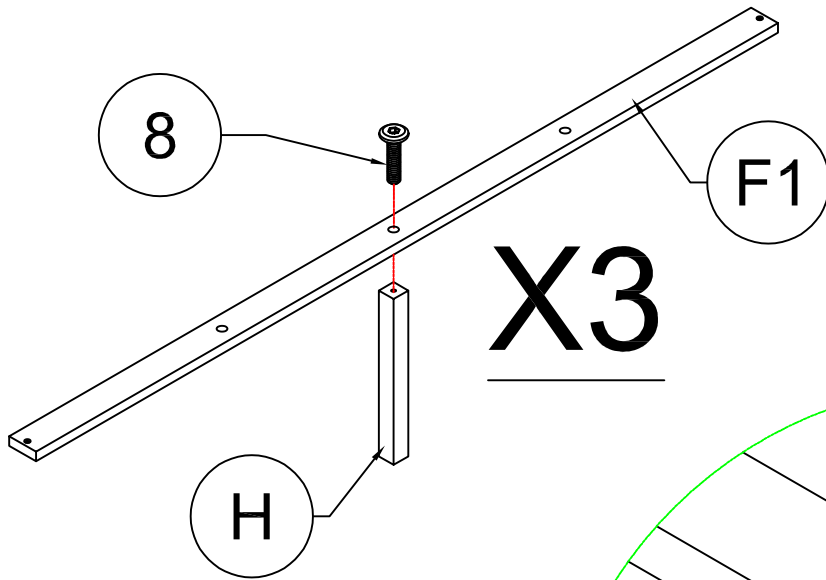
STEP 13: Following below illustration:

6	9	13
		
4pcs	4pcs	4pcs

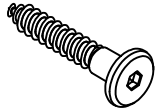
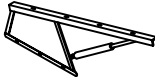
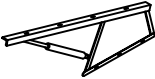


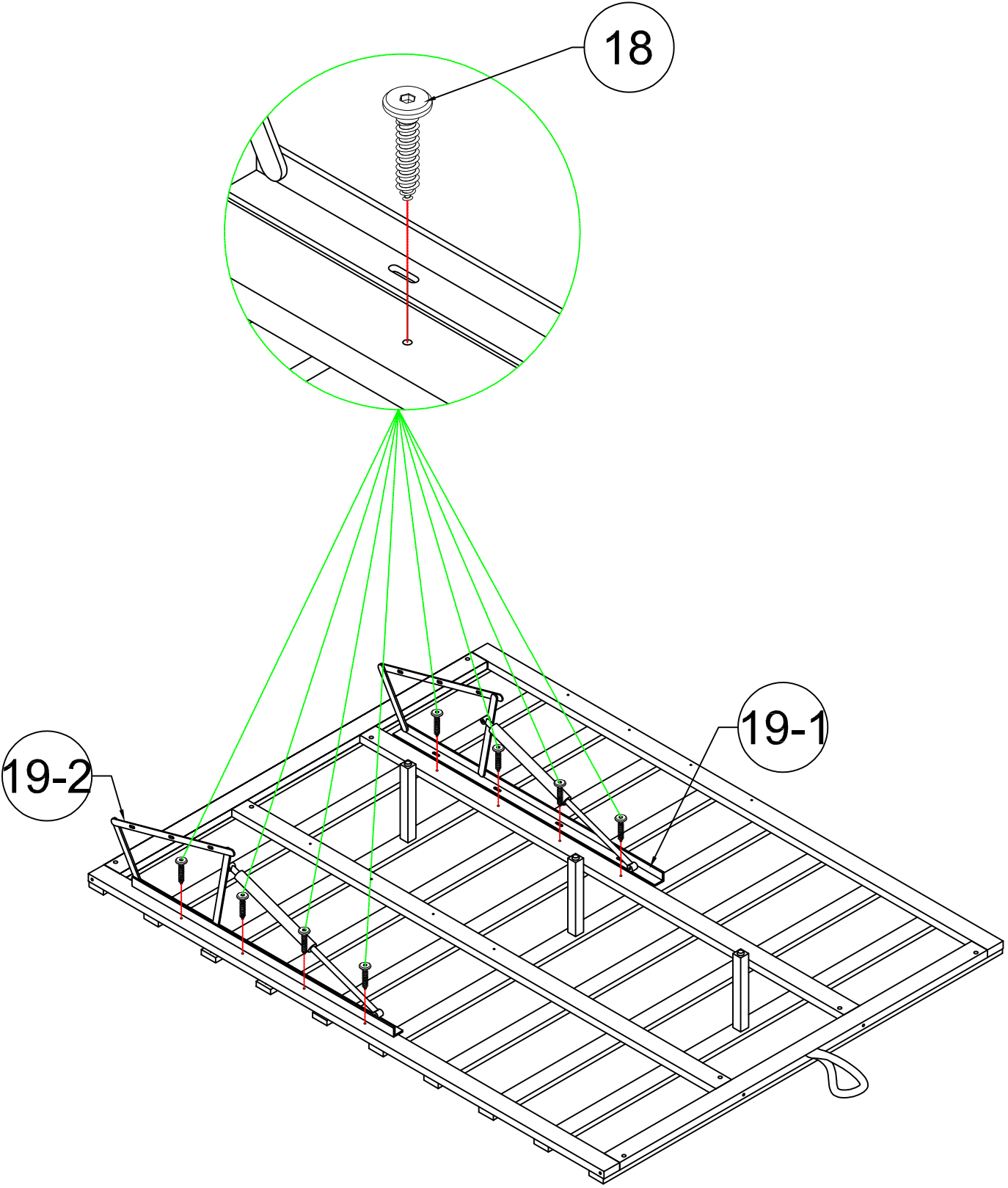
STEP 14: Following below illustration:

8	3	20
		
3pcs	41pcs	1pcs


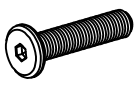
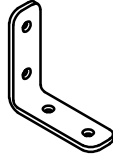


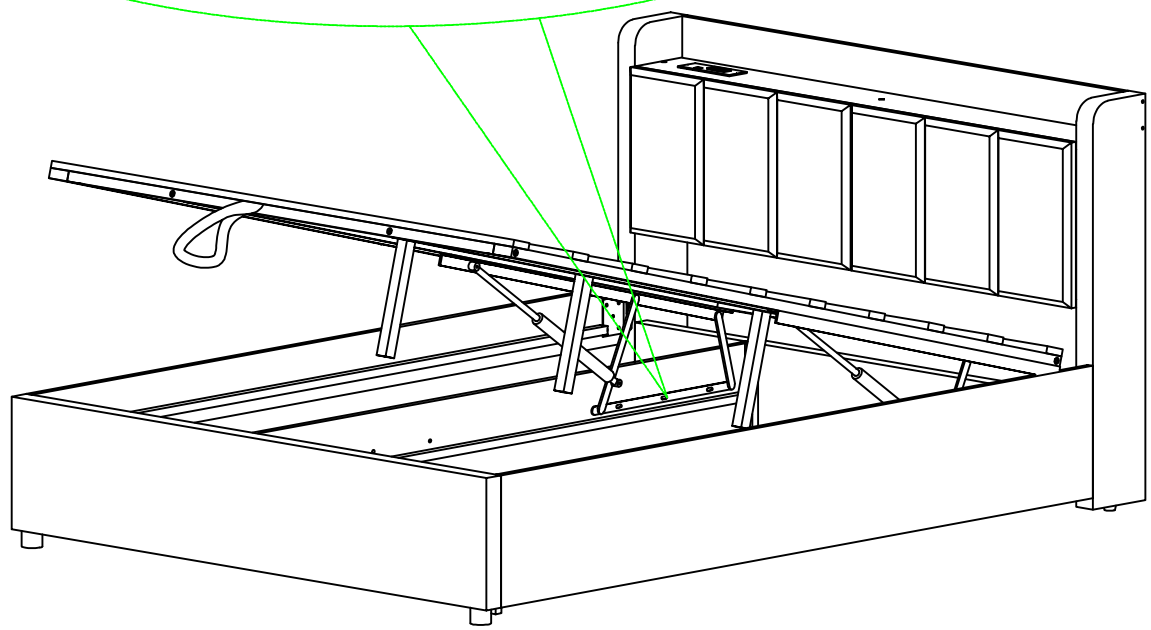
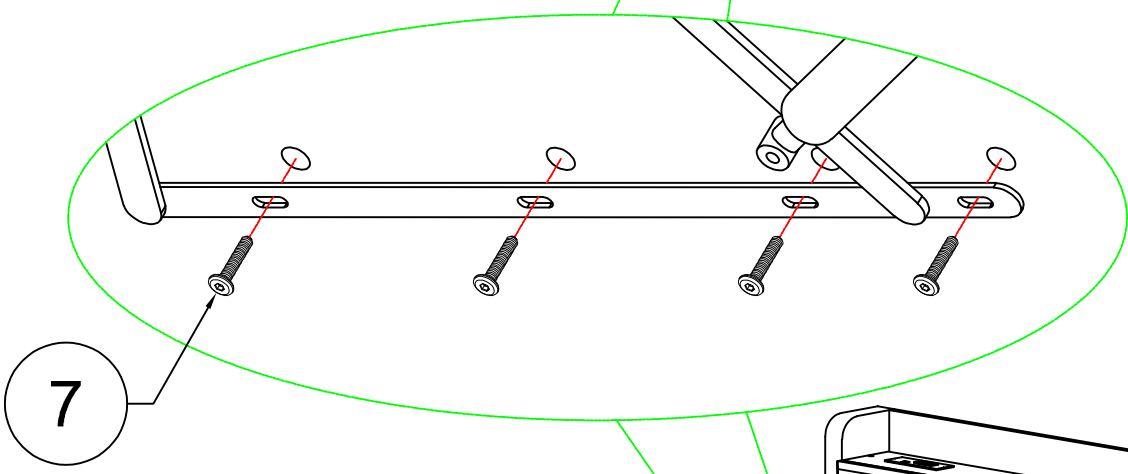
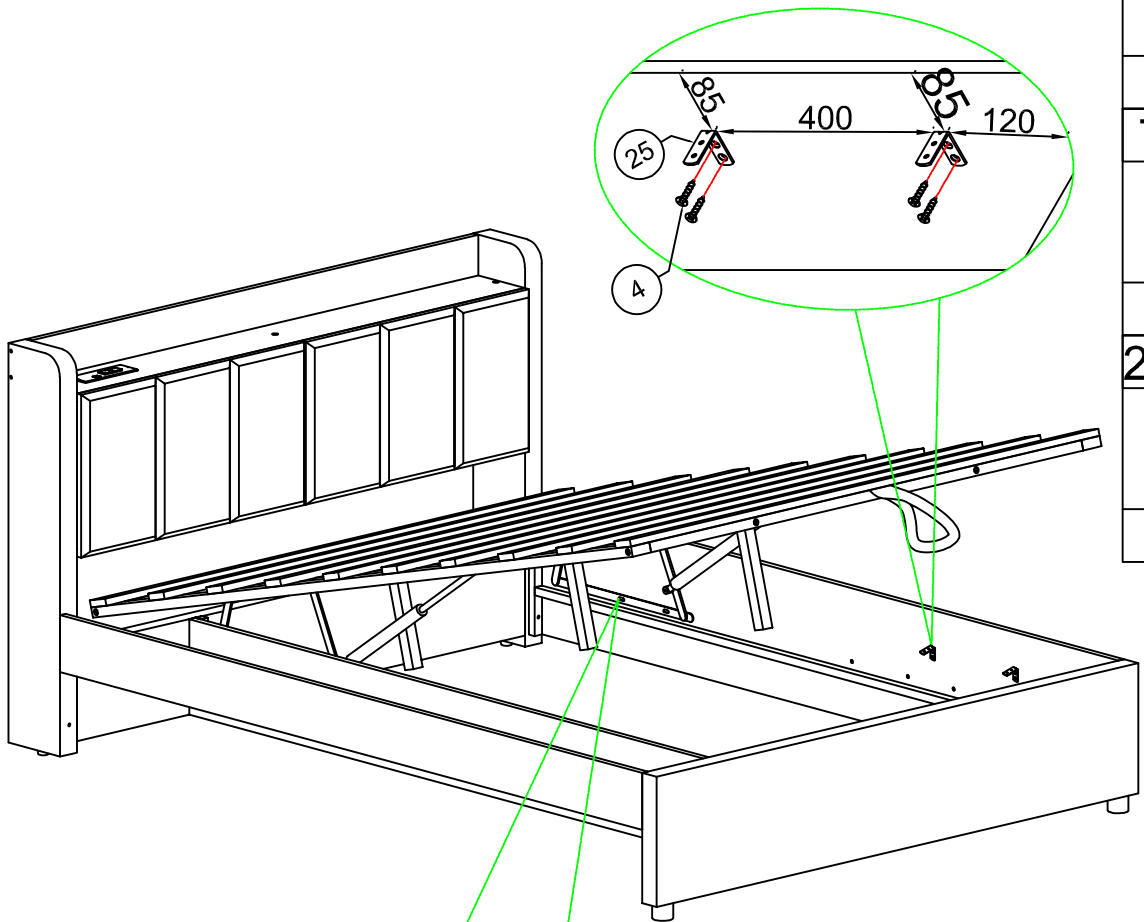
STEP 15: Following below illustration:

18	19-1	19-2
		
8pcs	1pcs	1pcs



STEP 16: Following below illustration:

- 4 
- 4pcs
- 7 
- 8pcs
- 25 
- 2pcs

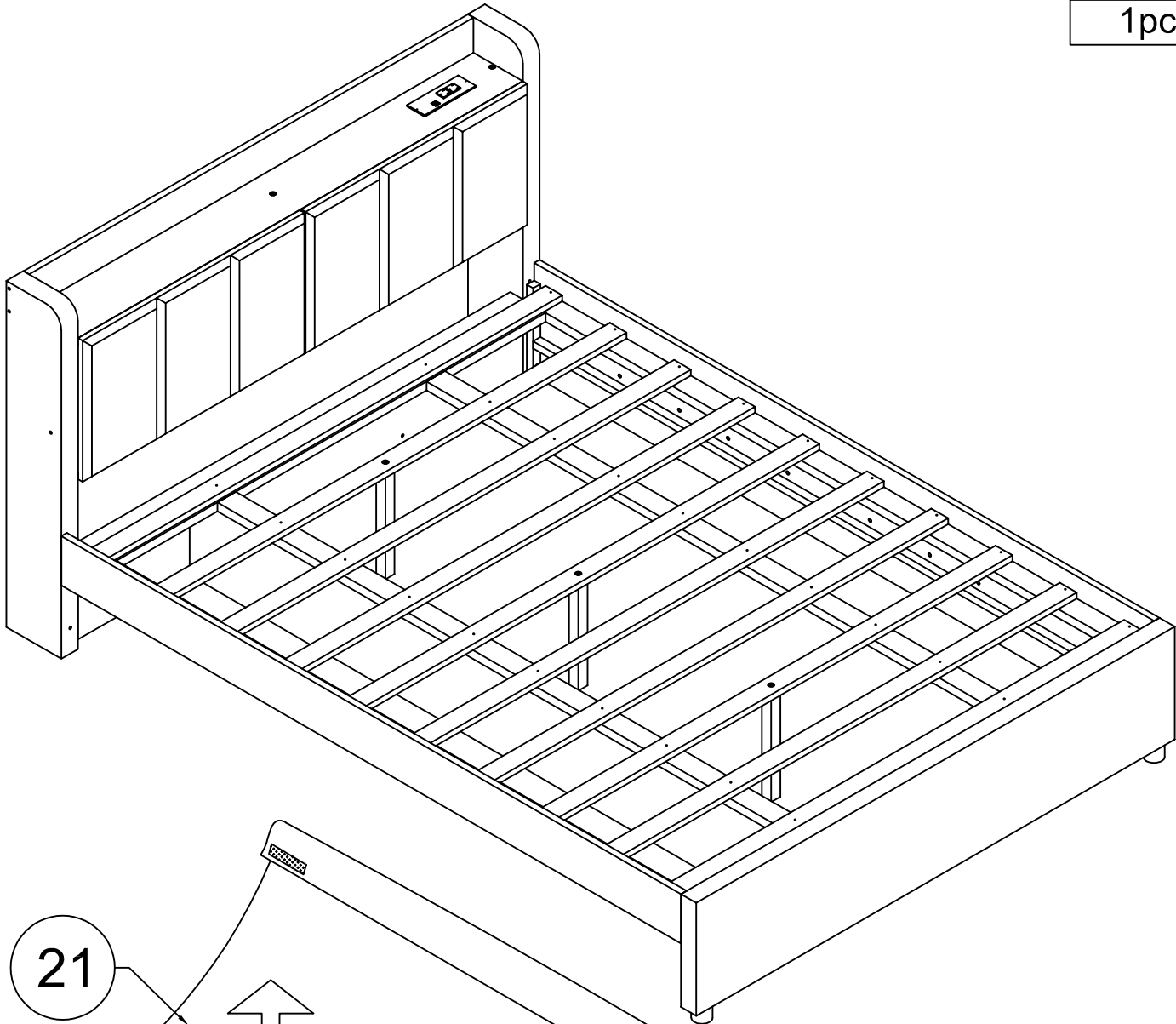


STEP 17: Following below illustration:

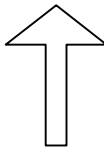
21



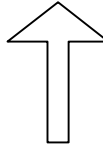
1pcs



21

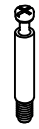



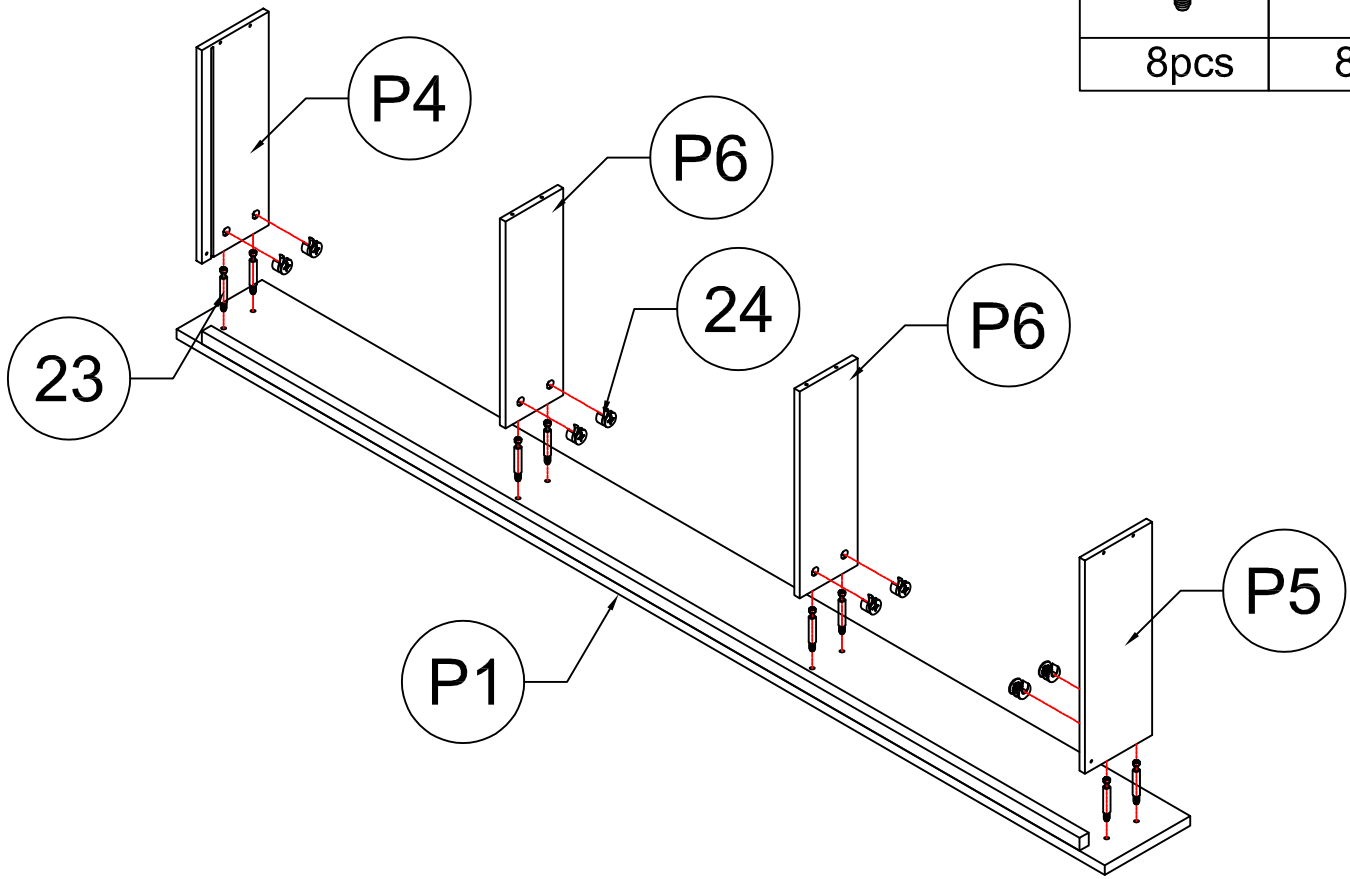
Use tape to secure the bed



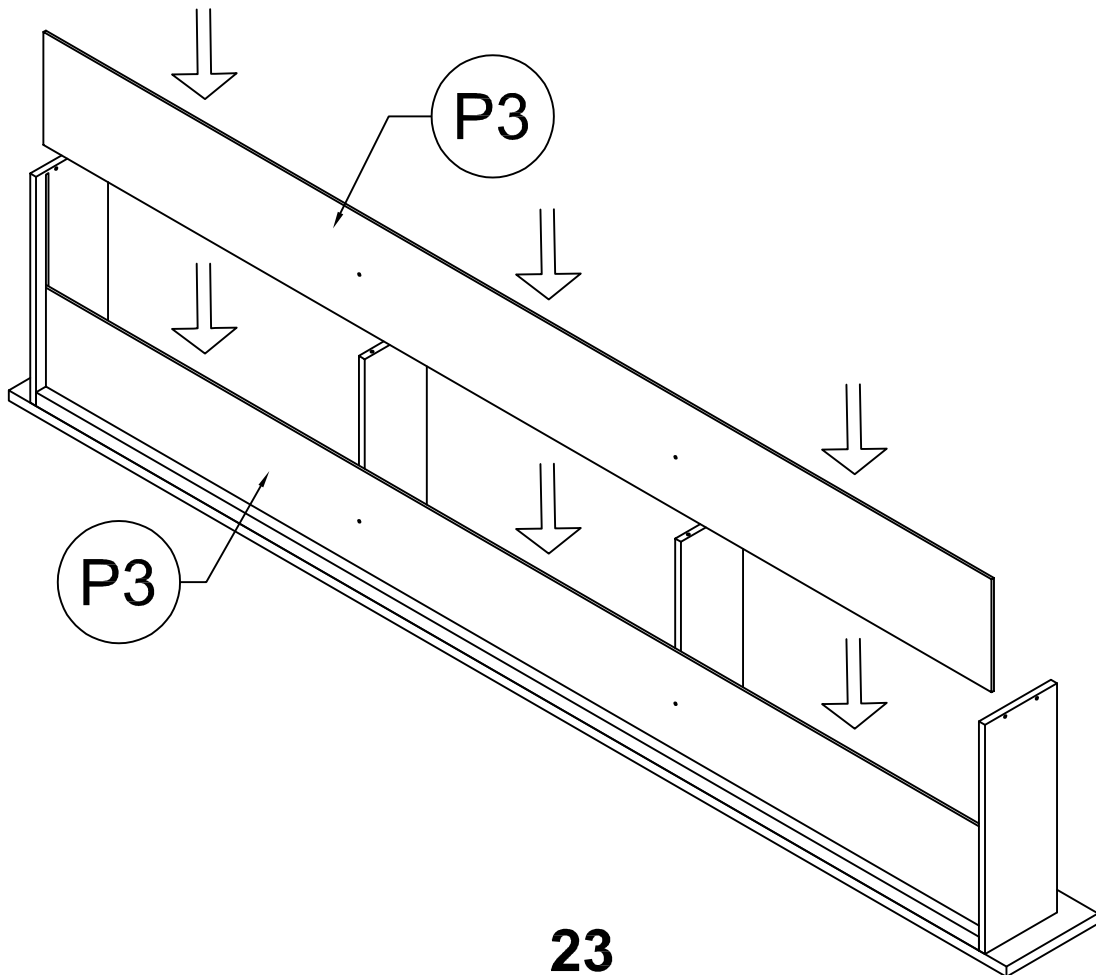
22

STEP 18: Following below illustration:

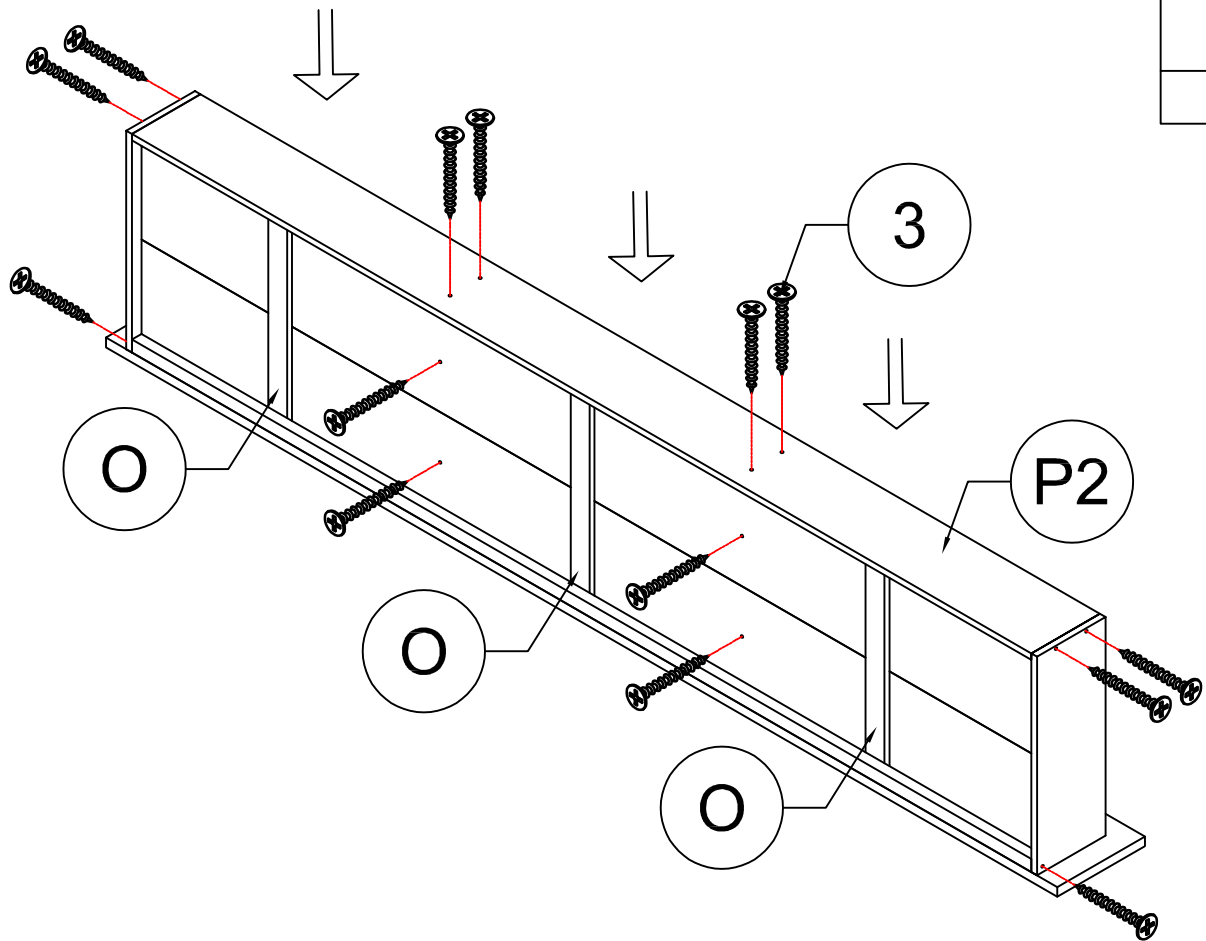
23		24	
8pcs		8pcs	

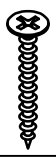


STEP 19: Following below illustration:

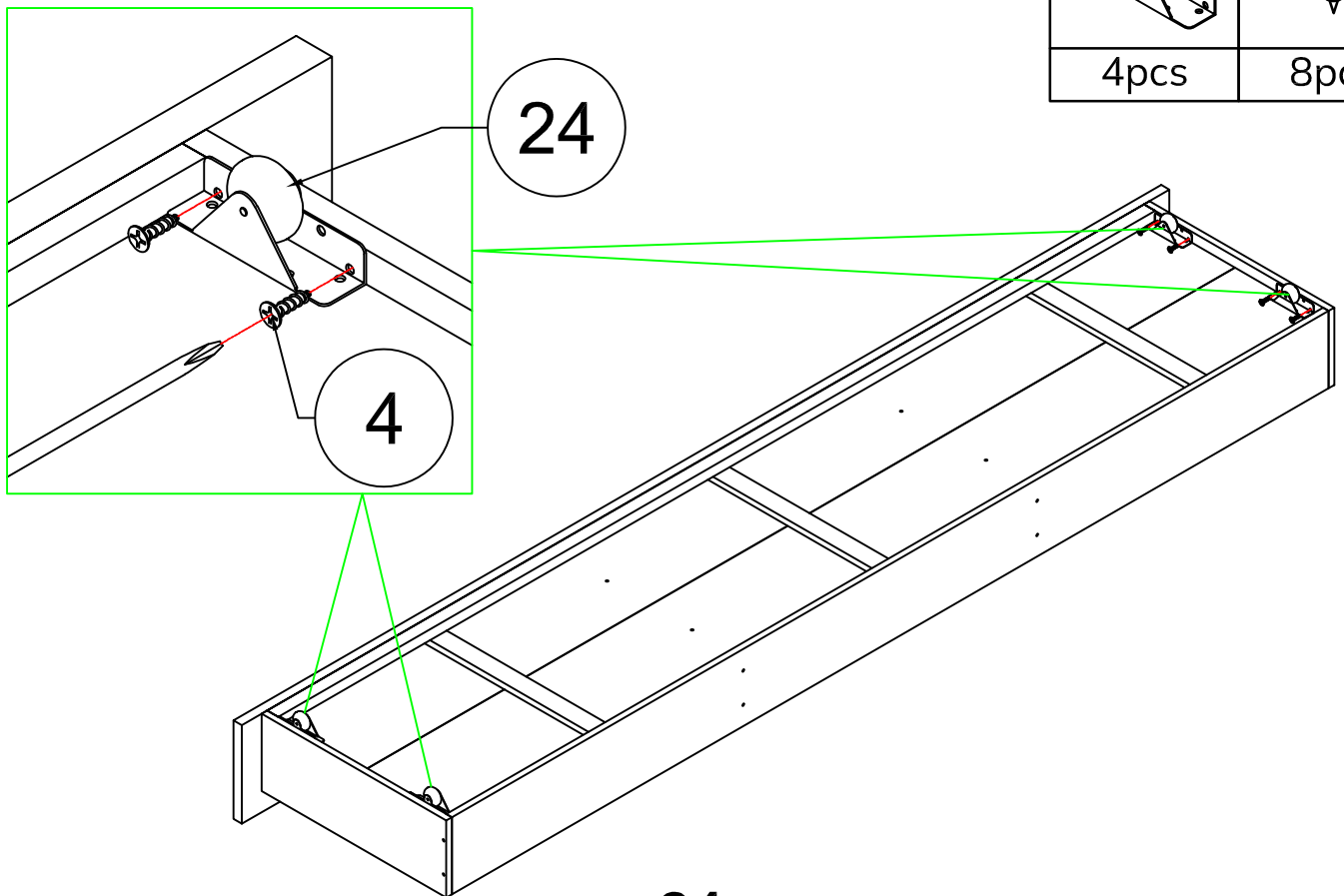


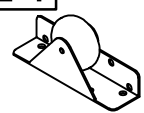

STEP 20: Following below illustration:



3	
14pcs	

STEP 21: Following below illustration:



24		4	
4pcs		8pcs	

FINISH

