

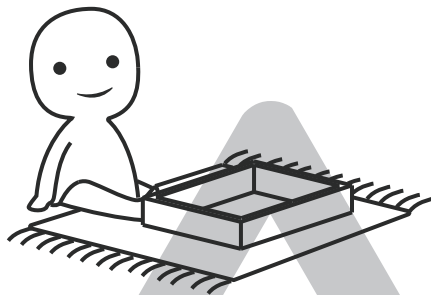
INSTALLATION

Product Manual



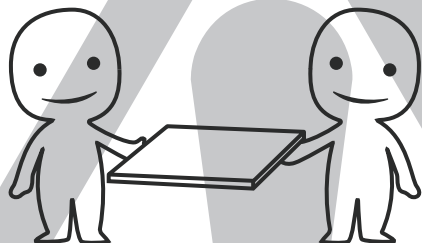
IMPORTANT INFORMATION!

please read the entire manual before starting to assemble and/or using this product. follow the manual thoroughly and keep it for further reference.



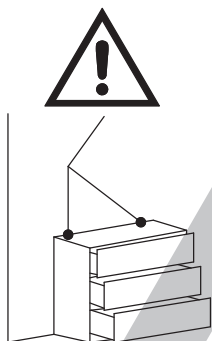
AVOID SCRATCHES!

In order to avoid scratching this furniture should be assembled on a soft layer- could be a rug.



IMPROVE EFFICIENCY !

Try to find a partner to install with you, which can speed up the installation efficiency and shorten the time.



ANTI-TOPPLE WARNING !

Overturned furniture can cause serious or fatal crush injuries. To prevent tipping over, be sure to use the wall attachment, if not included with this product. Please purchase the wall attachment that fit your wall. If unsure, seek professional advice. Please read and follow each step of the instructions carefully.

IMPORTANT !

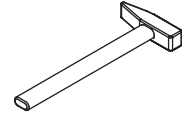
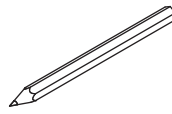
It is important that any product which is assembled using any kind of screw is re-tightened 2 weeks after assembly, and once every 3 months - in order to assure stability through-out the lifespan of the product.

For regular maintenance and cleaning of the product, for the frame, please use a rag dipped in neutral detergent to fully wipe it, and then dry it with a clean rag. For glass materials, wipe with a rag dampened with water glass cleaner, and then dry with a dry rag.

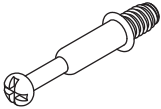
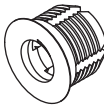
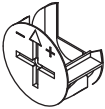
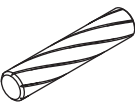
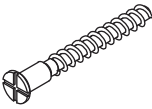
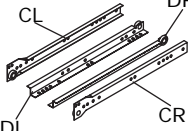

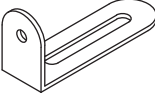

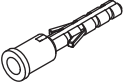

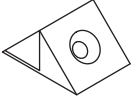

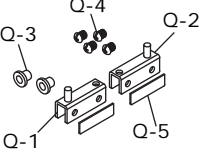

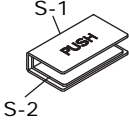
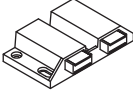
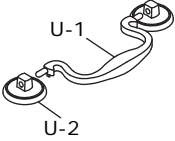




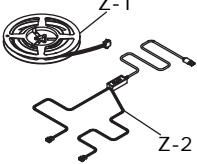
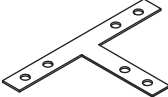

Do not use an electric screwdriver, and do not use too much force when installing, because the board is easy to break.



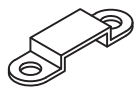
Please prepare the following tools



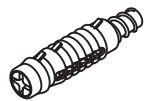
When installing, please carefully confirm whether each screw corresponds to the manual, accessories with similar shapes can be distinguished by size

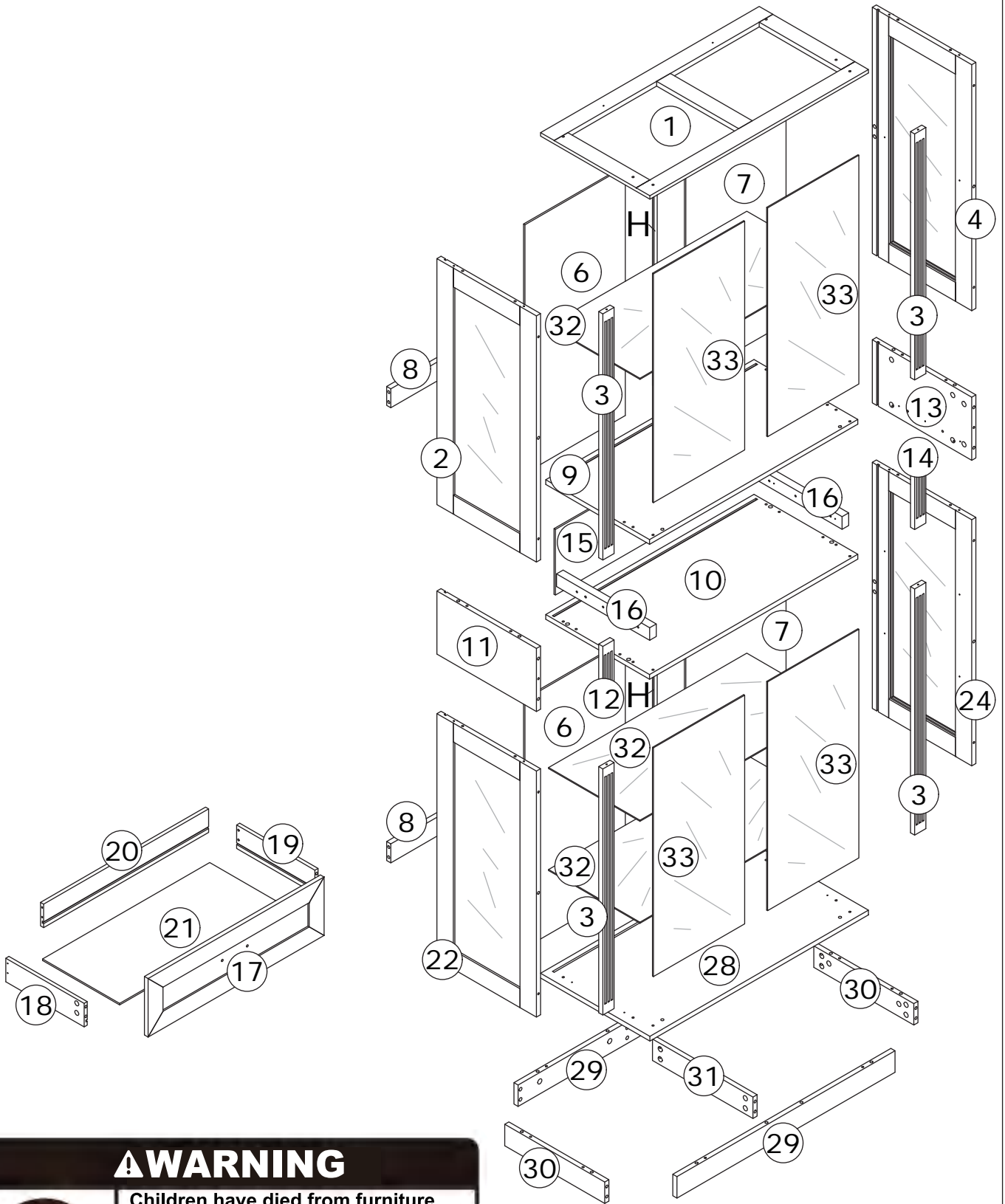
<p>A x 48</p>  <p>CRA0635B</p>	<p>B x 48</p> 	<p>C x 48</p>  <p>CRB1595A</p>	<p>D x 42</p>  <p>CRF0630A</p>	<p>E x 28</p>  <p>CRC0540A</p>
<p>F x 1</p>  <p>WX1012A</p>	<p>G x 4</p>  <p>CRD3512A</p>	<p>J x 2</p> 	<p>K x 2</p>  <p>CRD3535A</p>	<p>L x 2</p> 
<p>M x 23</p>  <p>CRD3514A</p>	<p>N x 30</p> 	<p>P x 74</p>  <p>CRD0314A</p>	<p>Q x 4</p> 	<p>R x 12</p> 
<p>S x 4</p> 	<p>T x 2</p> 	<p>U x 1</p> 	<p>V x 2</p> 	<p>W x 2</p>  <p>CRE0408A</p>
<p>X x 4</p>  <p>CRF0620A</p>	<p>Y x 6</p>  <p>CRD3525A</p>	<p>Z x 1</p> 	<p>AA x 4</p> 	<p>AB x 5</p> 

AC x 6



AD x 4



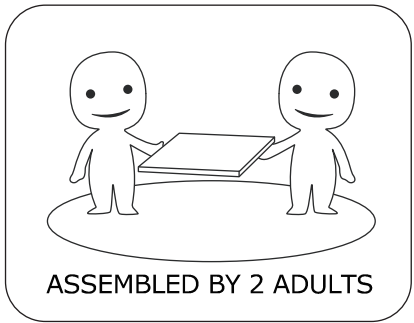


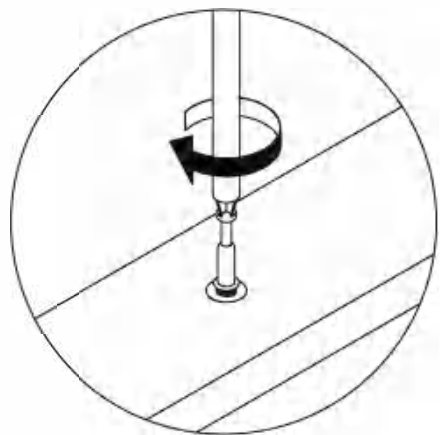
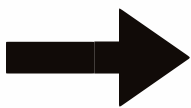
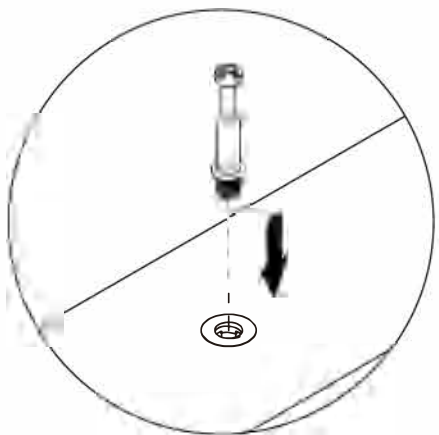
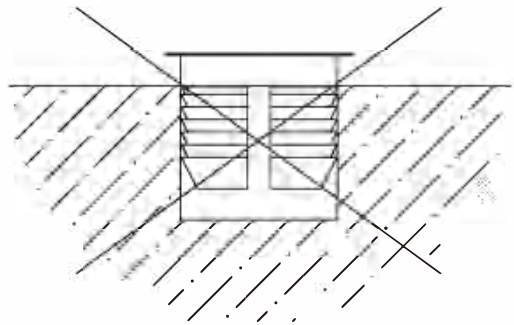
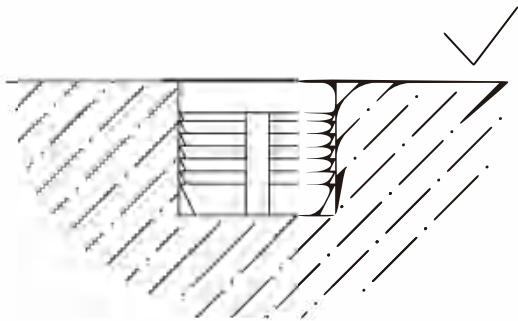
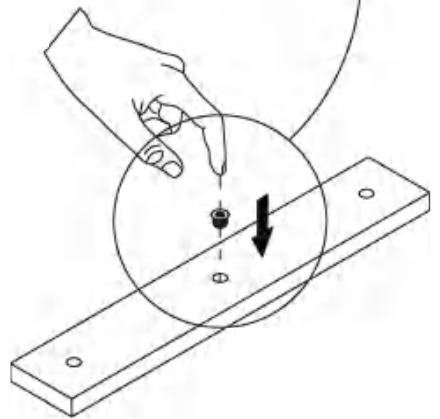
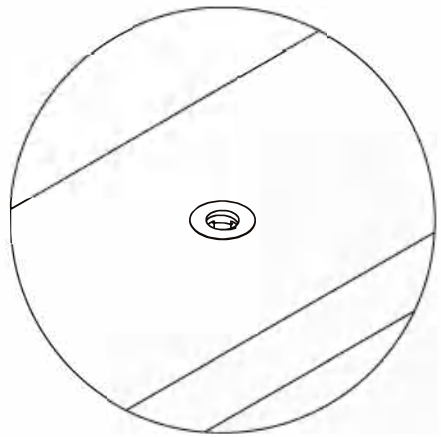
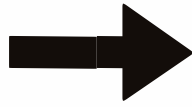
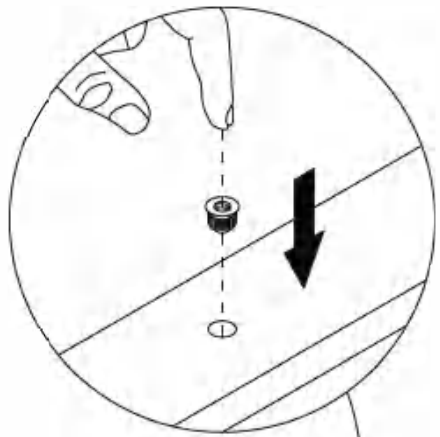
⚠ WARNING

Children have died from furniture tipover. To reduce the risk of furniture tipover:

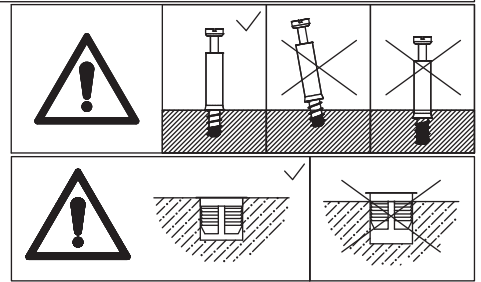
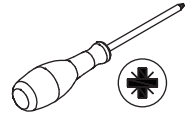
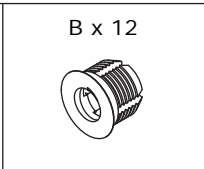
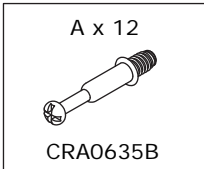
- ALWAYS install Anti-tip device provided.
- NEVER put a TV on this product.
- NEVER allow children to stand, climb or hang on drawers, doors, or shelves.
- NEVER open more than one drawer at a time.
- Place heaviest items in the lowest drawers.

*This is a permanent label.
Do not remove!*

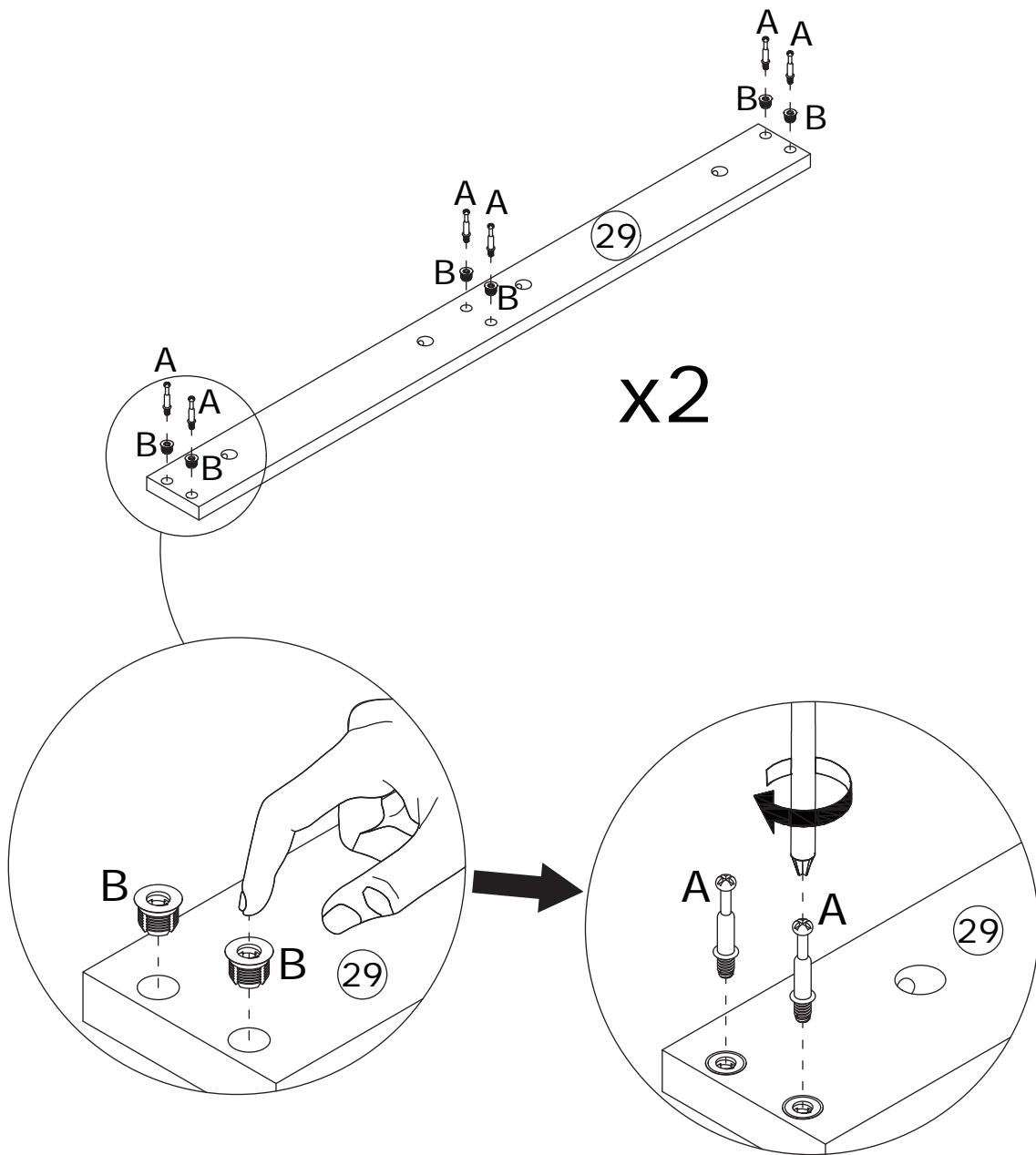




1



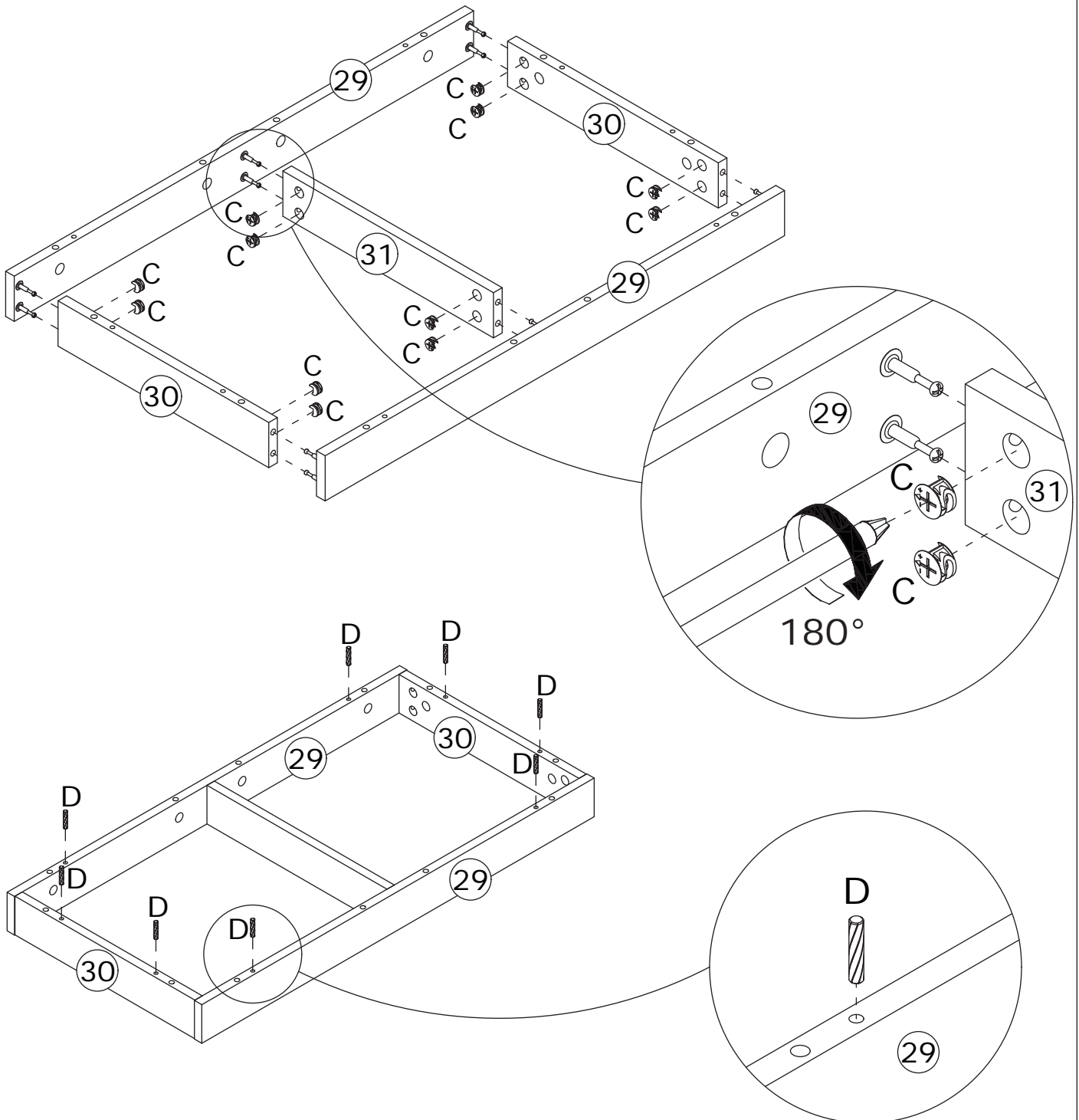
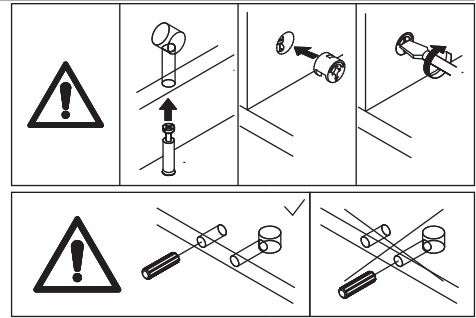
Attach component (B) into panel 29, then screw the self-tapping rod (A) into.



2



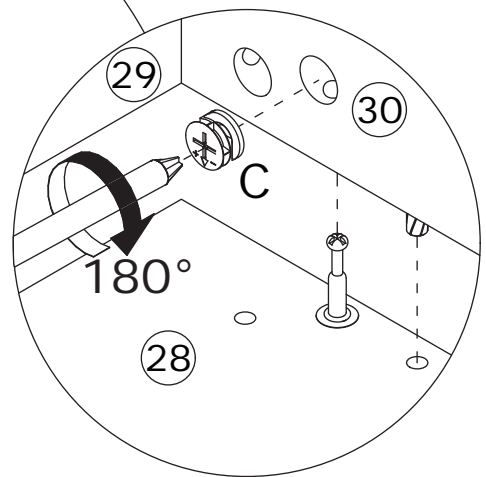
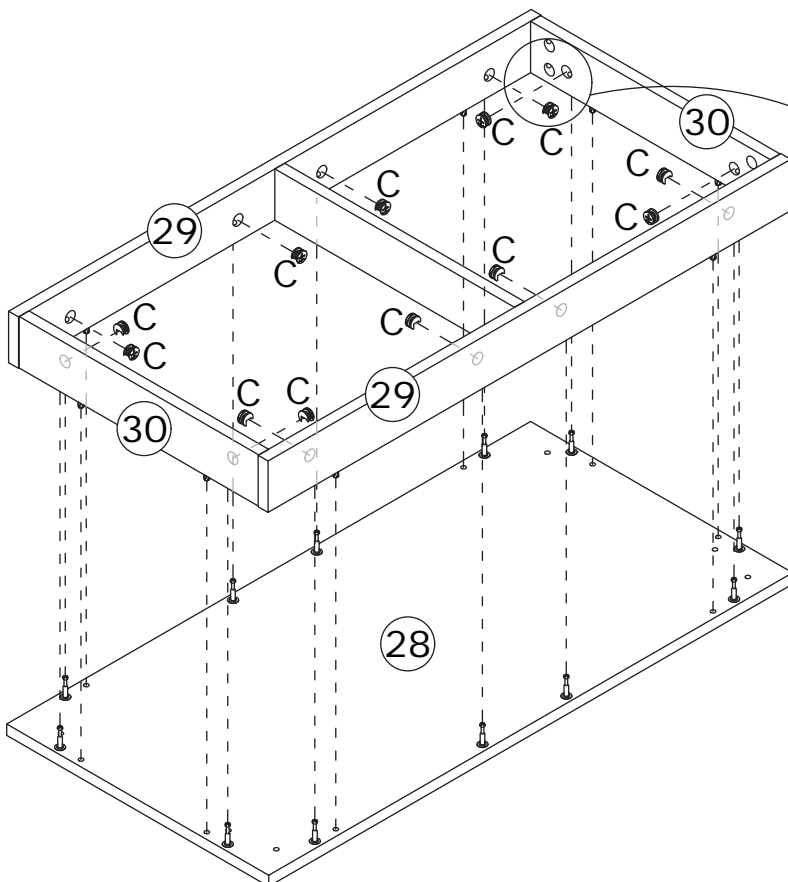
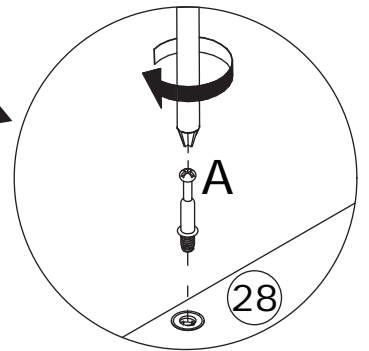
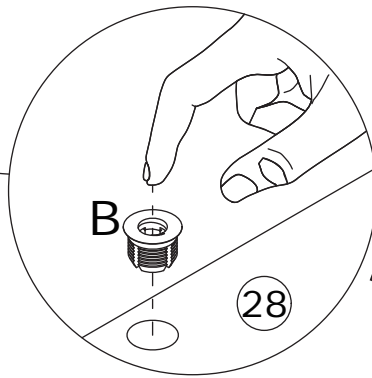
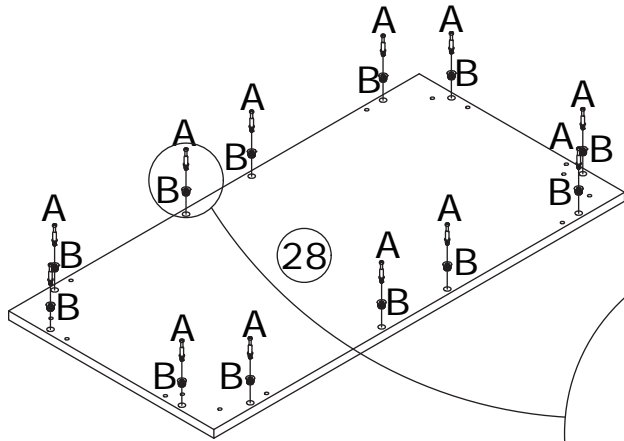
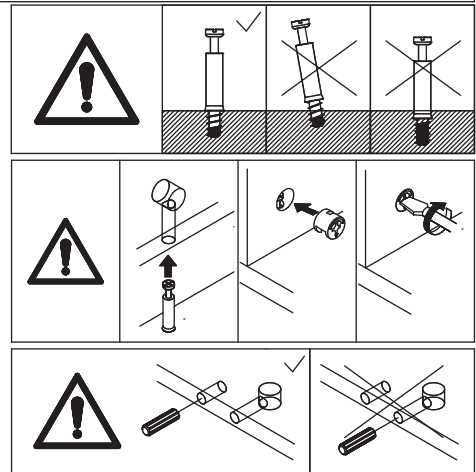
Connect panel 29 to panels 30 and 31, then insert the eccentric wheel (C) and tighten it by turning clockwise. Insert the wooden dowel (D) into panels 29 and 30.



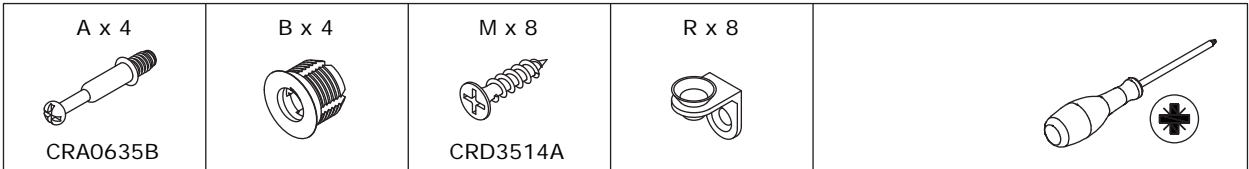
3



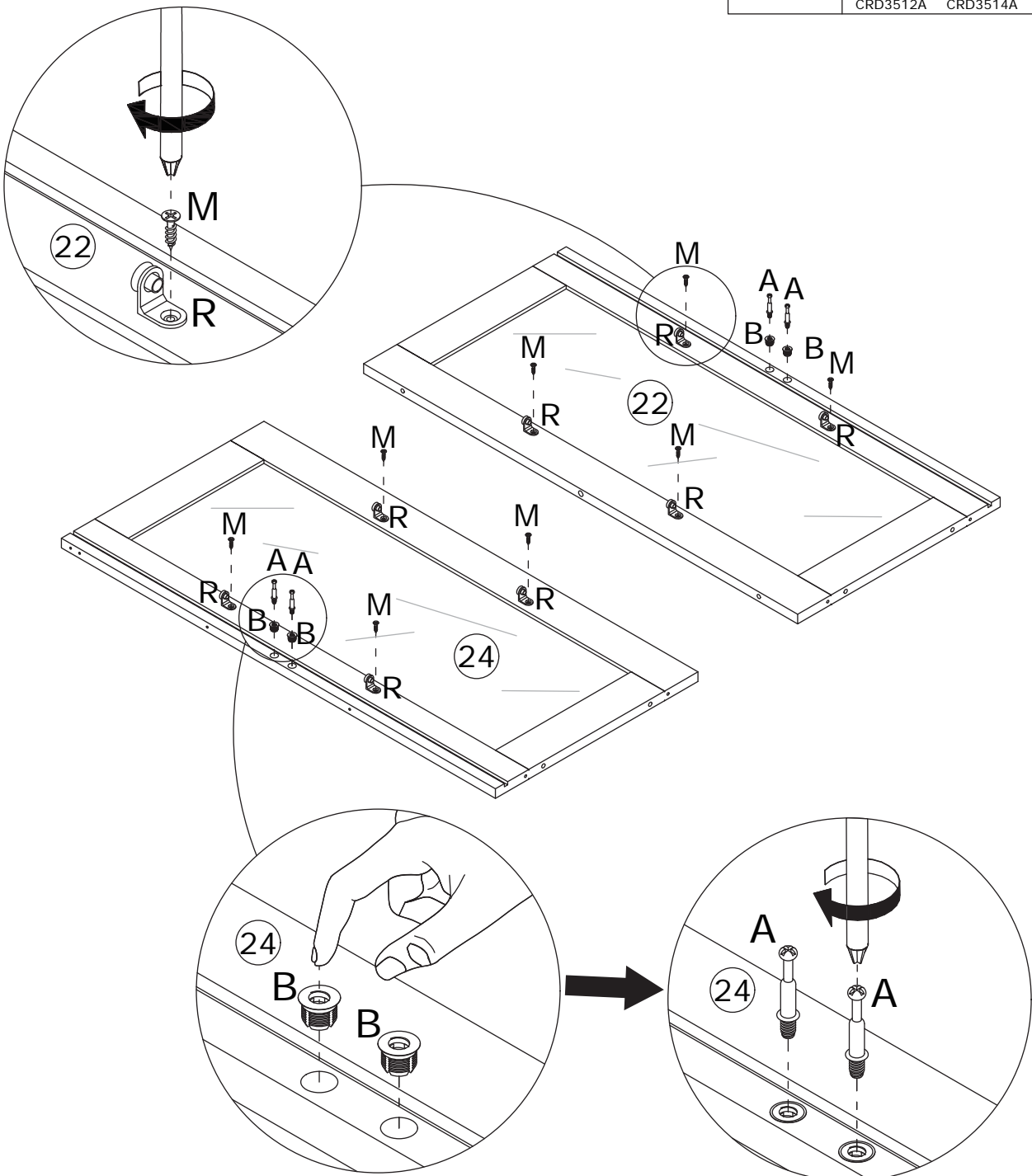
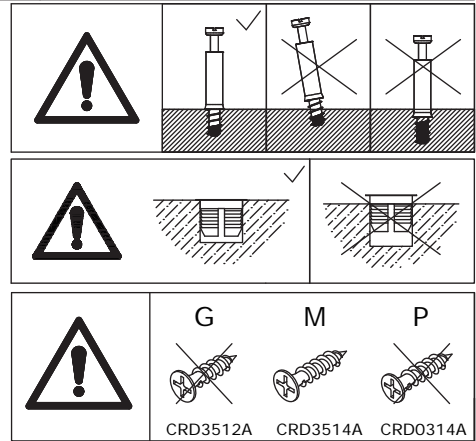
Attach component (B) into panel 28, screw self-tapping rod (A) into.
Connect panel 28 to panels 29 and 30, insert the eccentric wheel (C) and tighten it by turning clockwise.



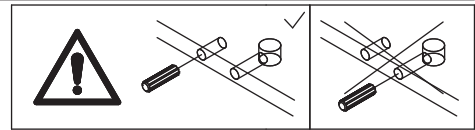
4



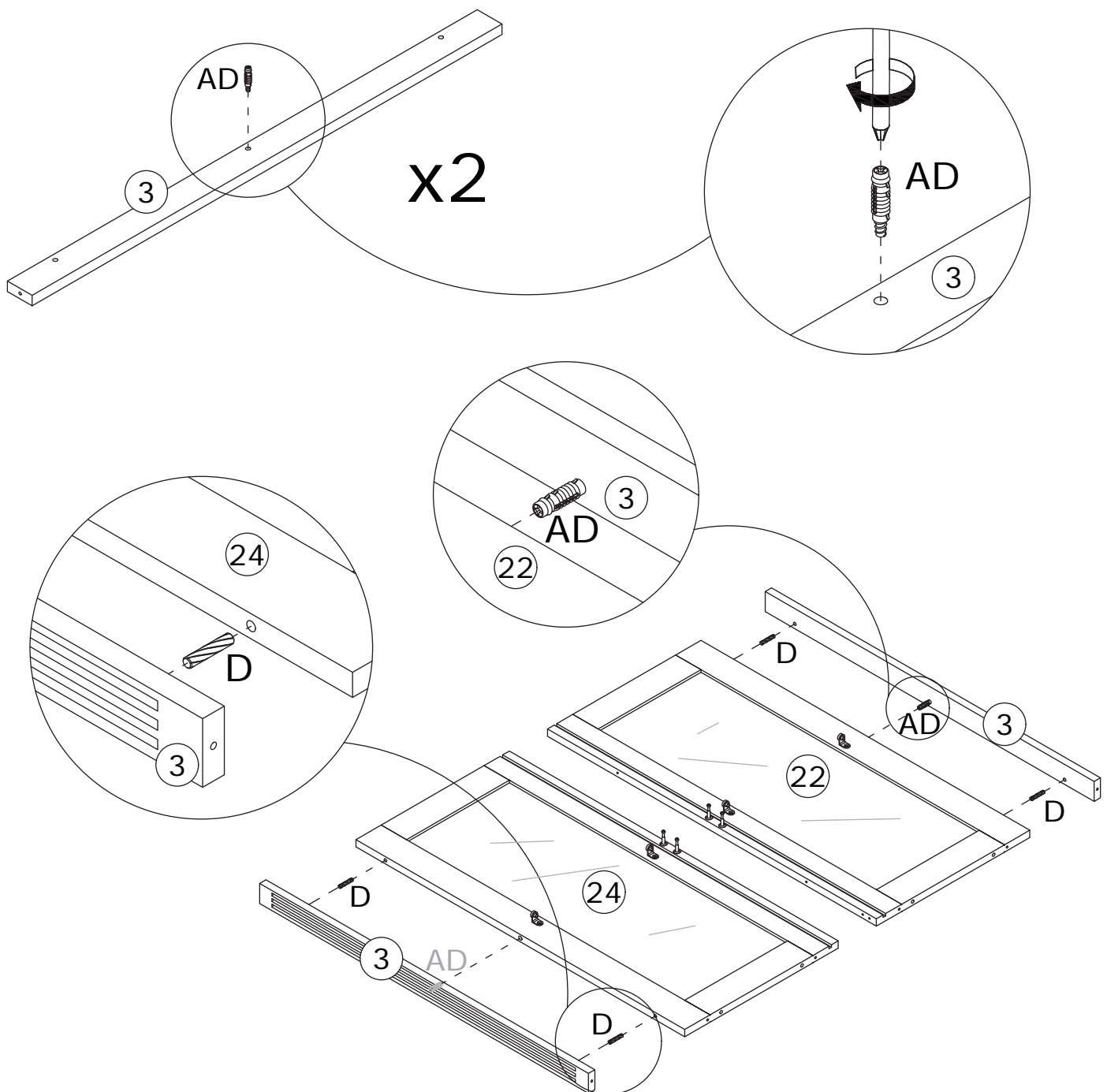
Attach component (B) into panels 22 and 24,
screw self-tapping rod (A) into.
Secure component (R) to panels 22 and 24
using screws (M).



5

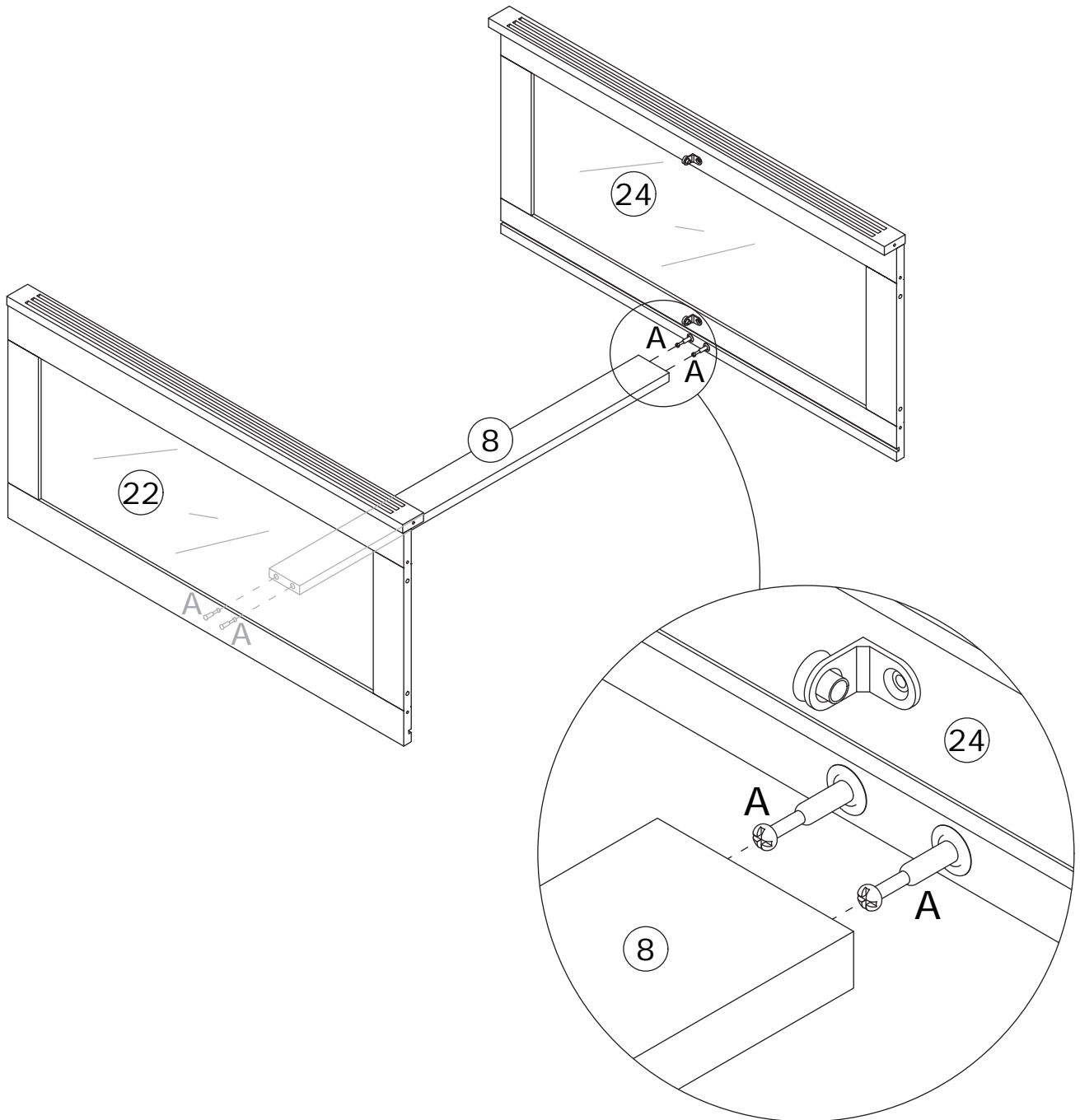


Screw component (AD) into panel 3.
Use dowels (D) to connect panel 3 to panels 22 and 24.

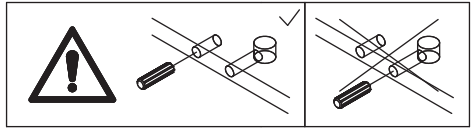


6

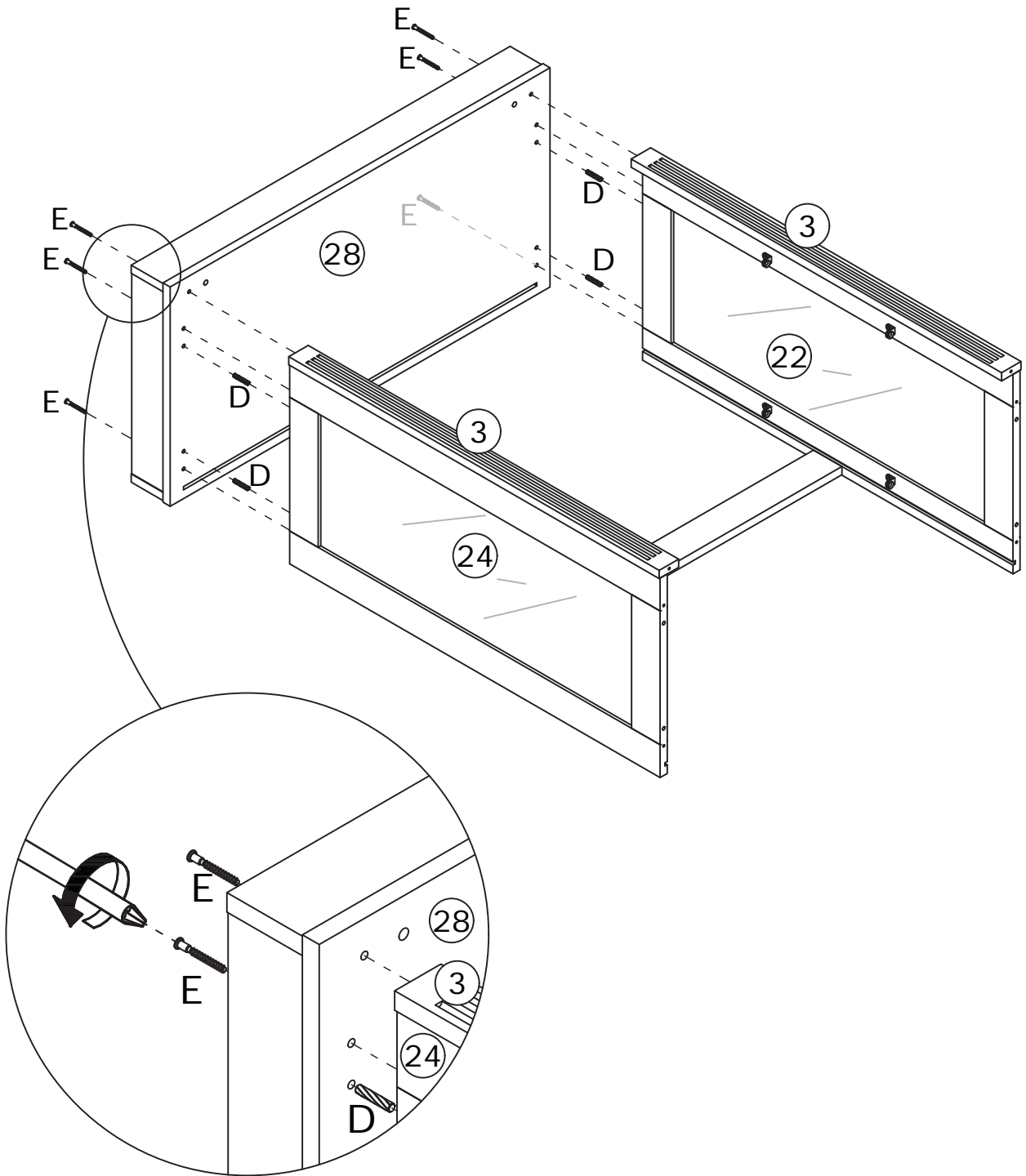
Connect panel 8 to panels 22 and 24.



7

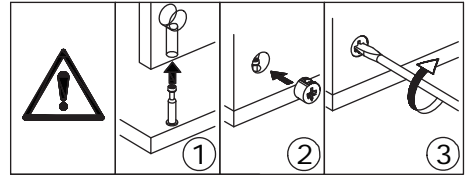
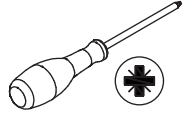


Connect panel 28 to panels 3, 22, and 24 using dowels (D), and secure with screws (E).

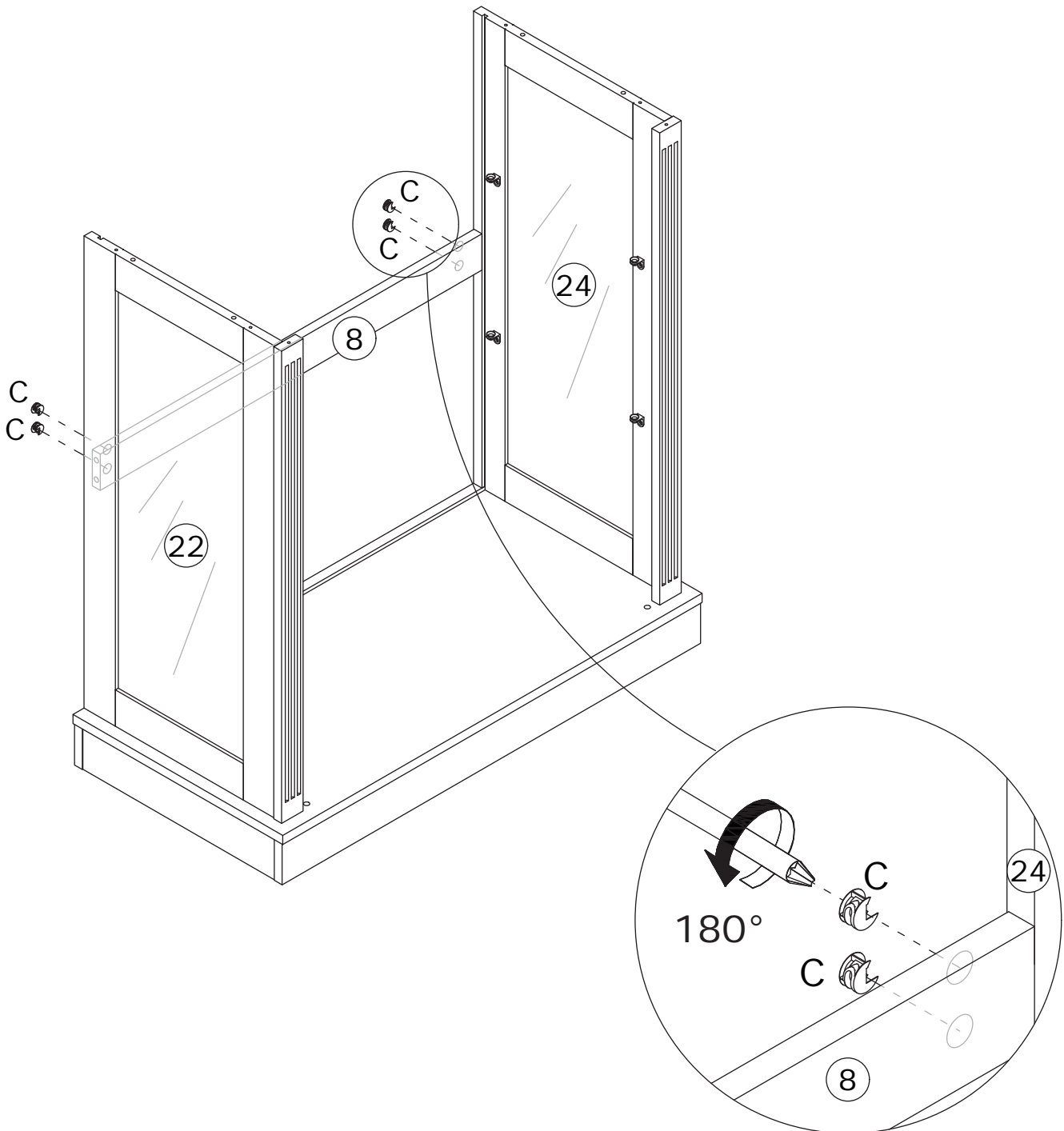


8

C x 4
CRB1595A

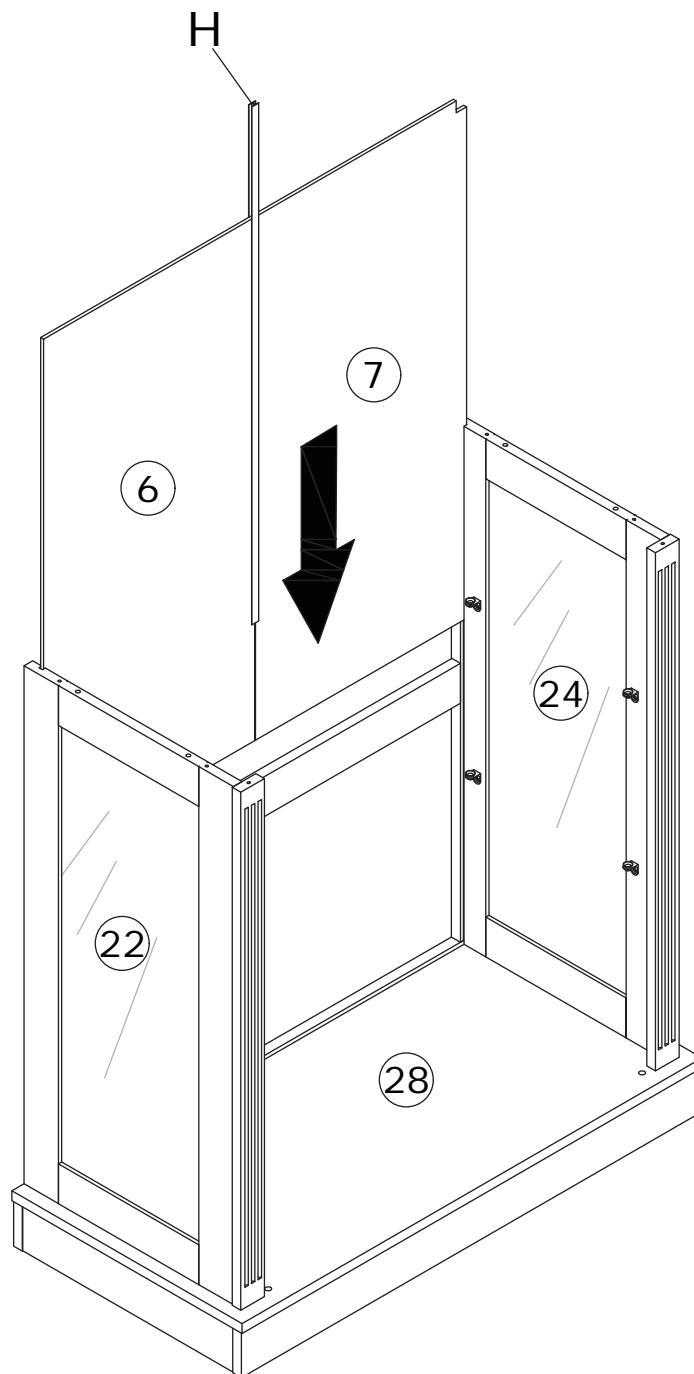


Insert the eccentric wheel (C) and tighten it by turning clockwise.



9

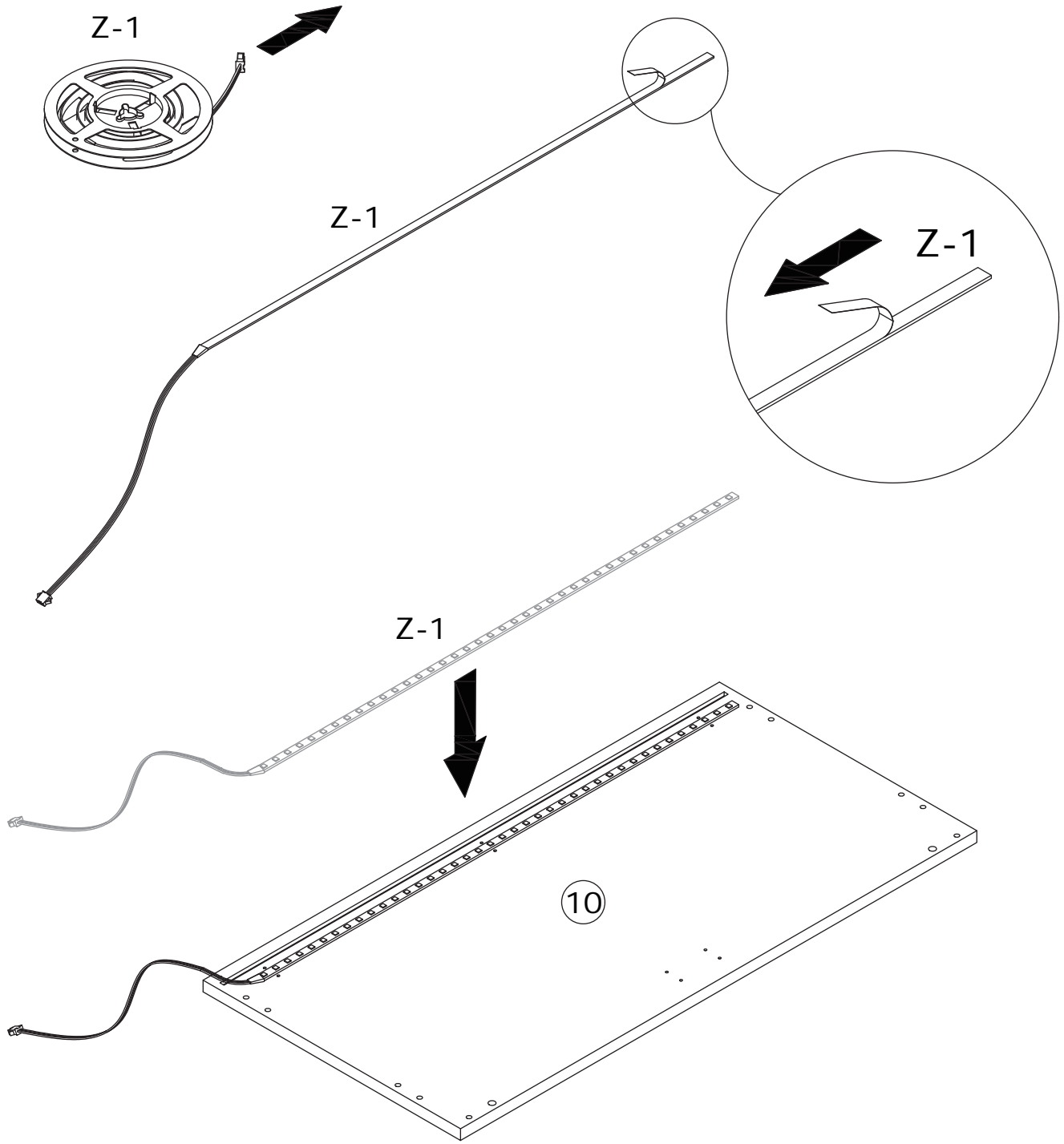
Use component (H) to connect panel 6 and panel 7, then insert the back panels along the available slots.



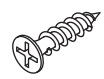
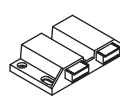
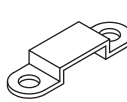
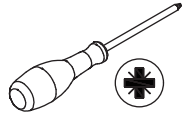
10


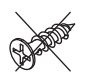
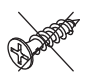



Unroll the light strip, peel off the protective film, and attach the light strip to the designated position on panel 10.

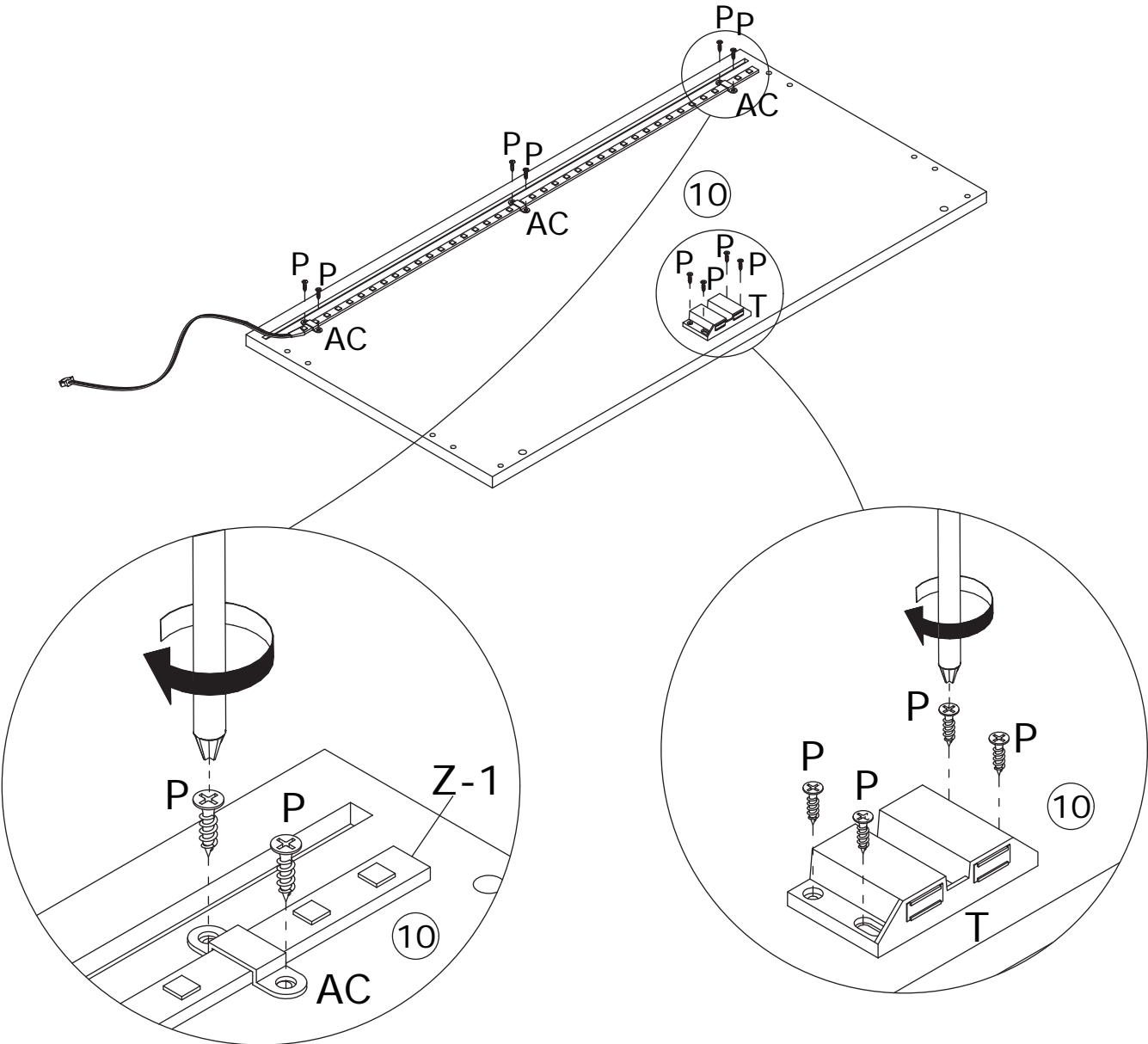


11

P x 10  CRD0314A	T x 1 	AC x 3 	
---	--	---	---

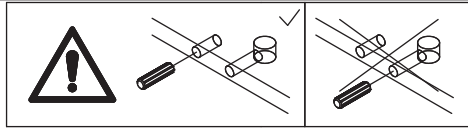
	G  CRD3512A	M  CRD3514A	P  CRD0314A
---	--	--	--

Use screws (P) to secure part (AC) to panel 10.
Use screws (P) to secure part (T) to panel 10.

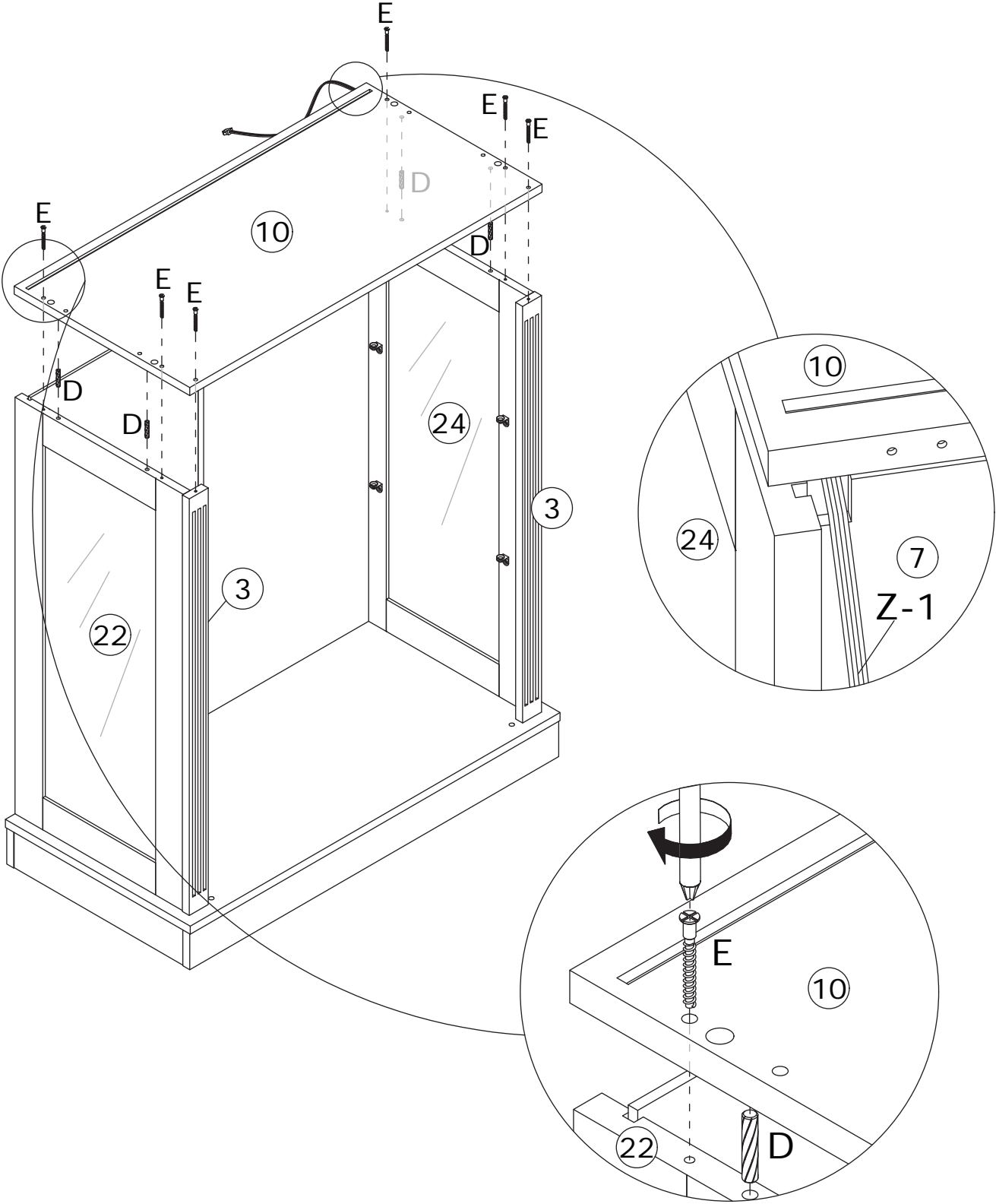


12

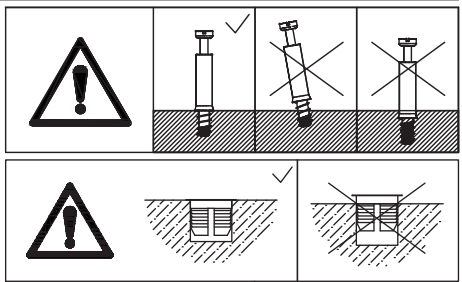
D x 4  CRF0630A	E x 6  CRC0540A	
--	--	---



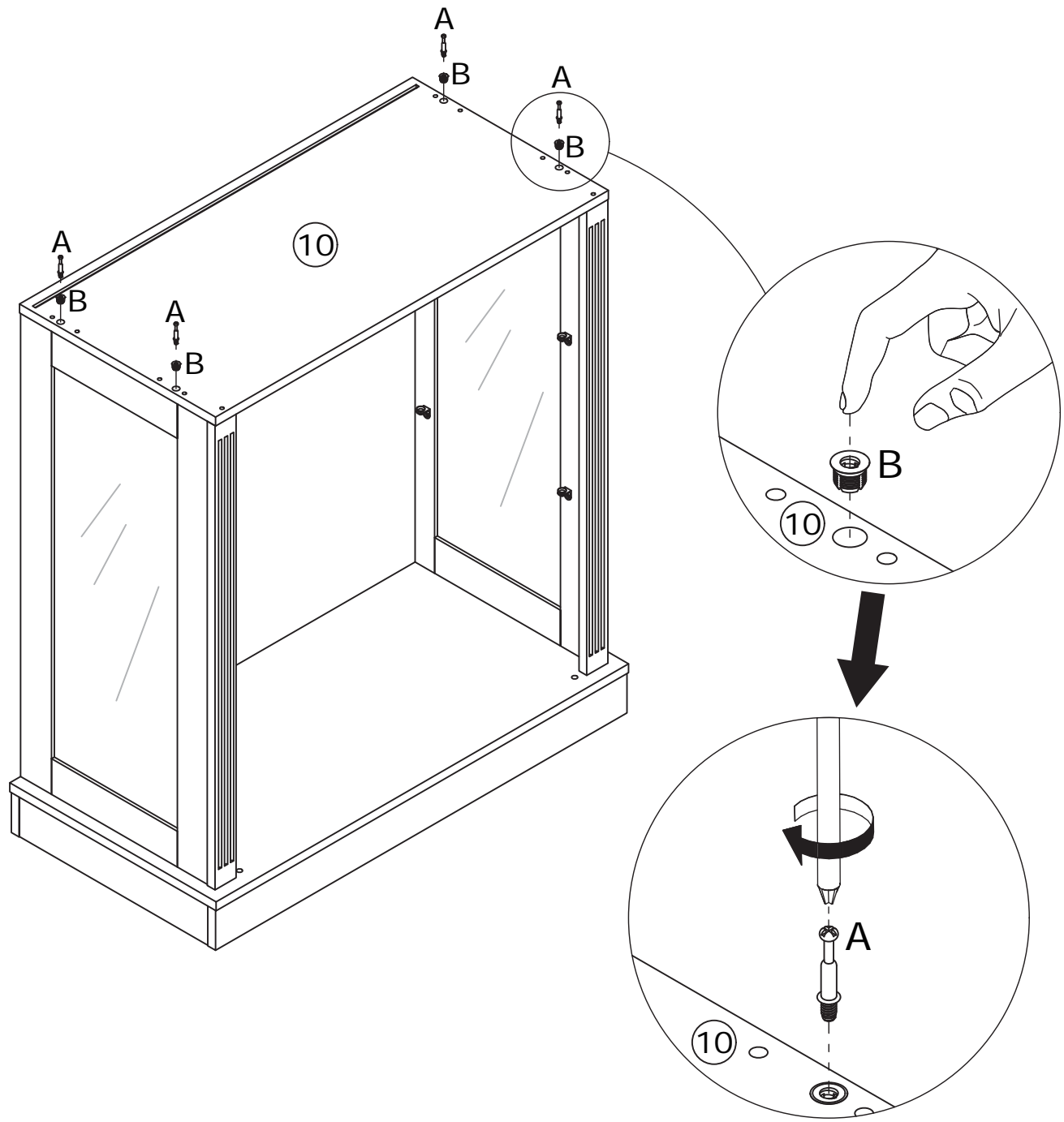
Connect panel 10 to panels 22 and 24 using dowels (D), and secure panel 10 to panels 3, 22, and 24 with screws (E).



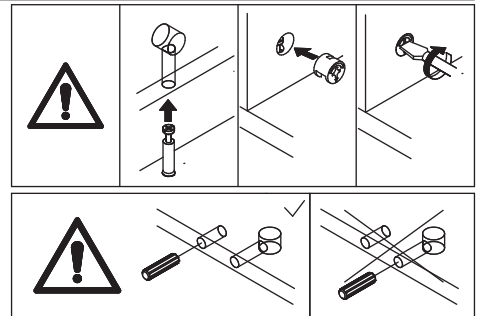
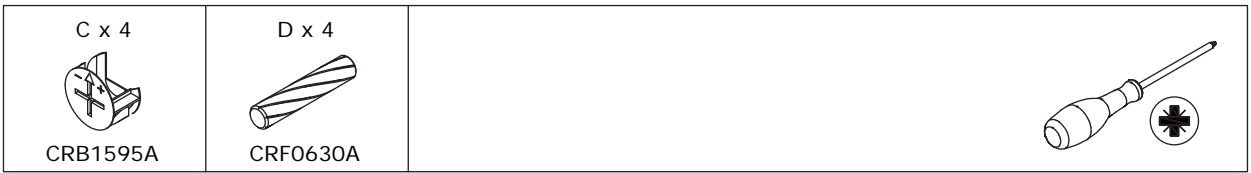
13



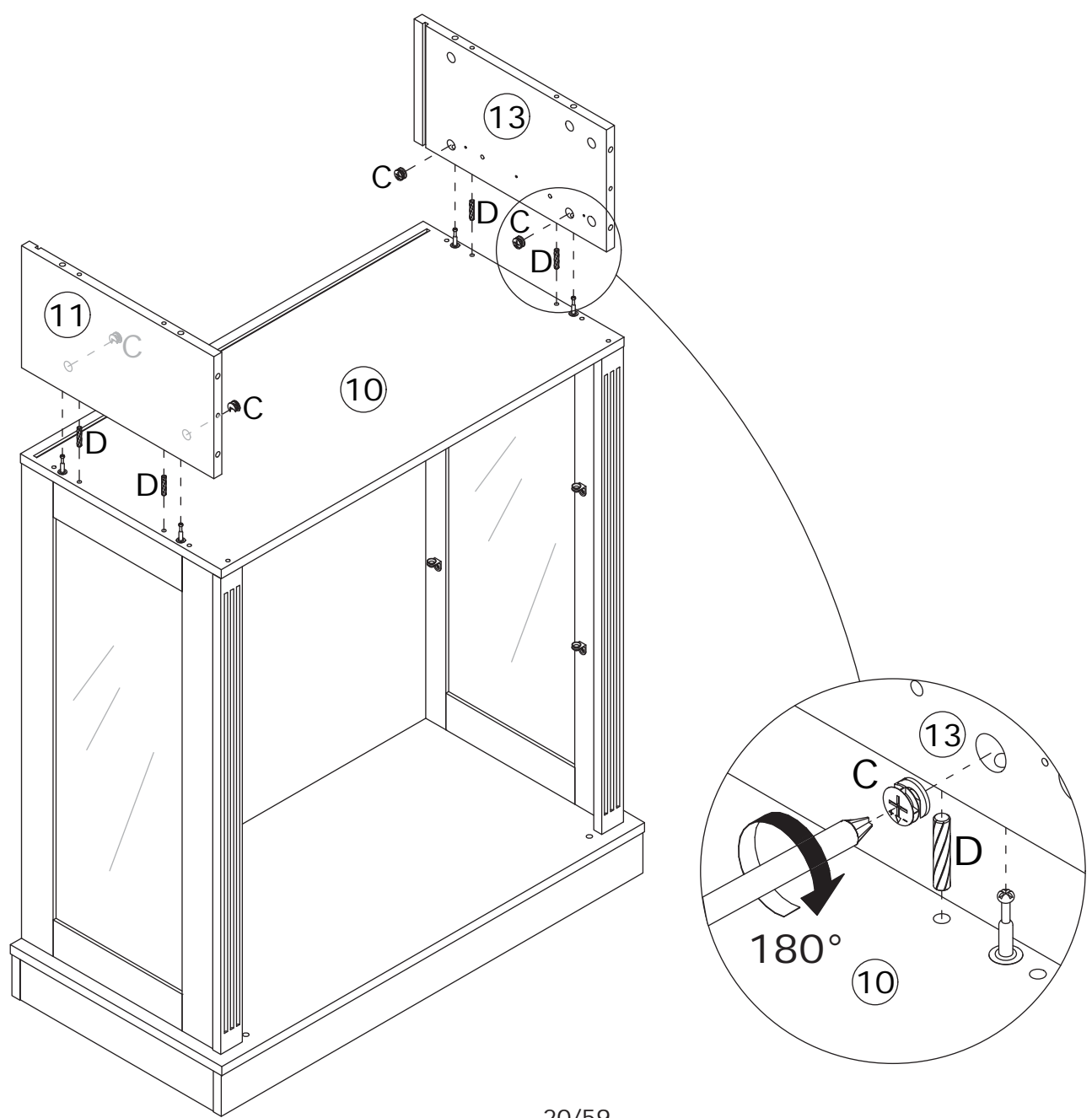
Attach component (B) into panel 10, then screw the self-tapping rod (A) into.



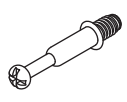
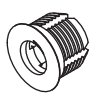

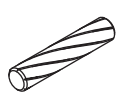
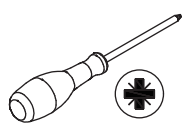
14



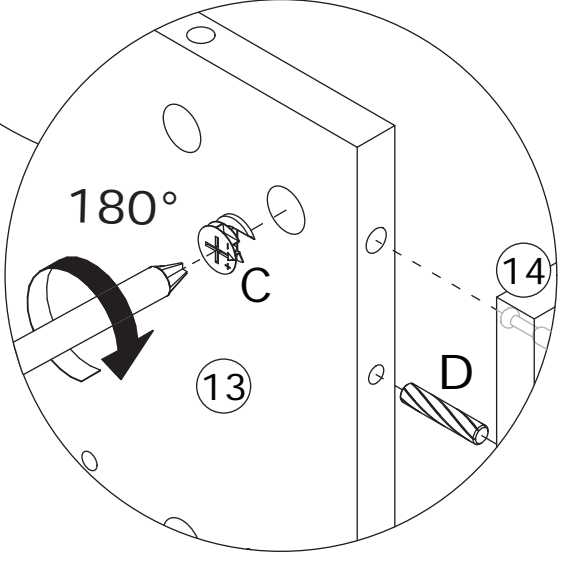
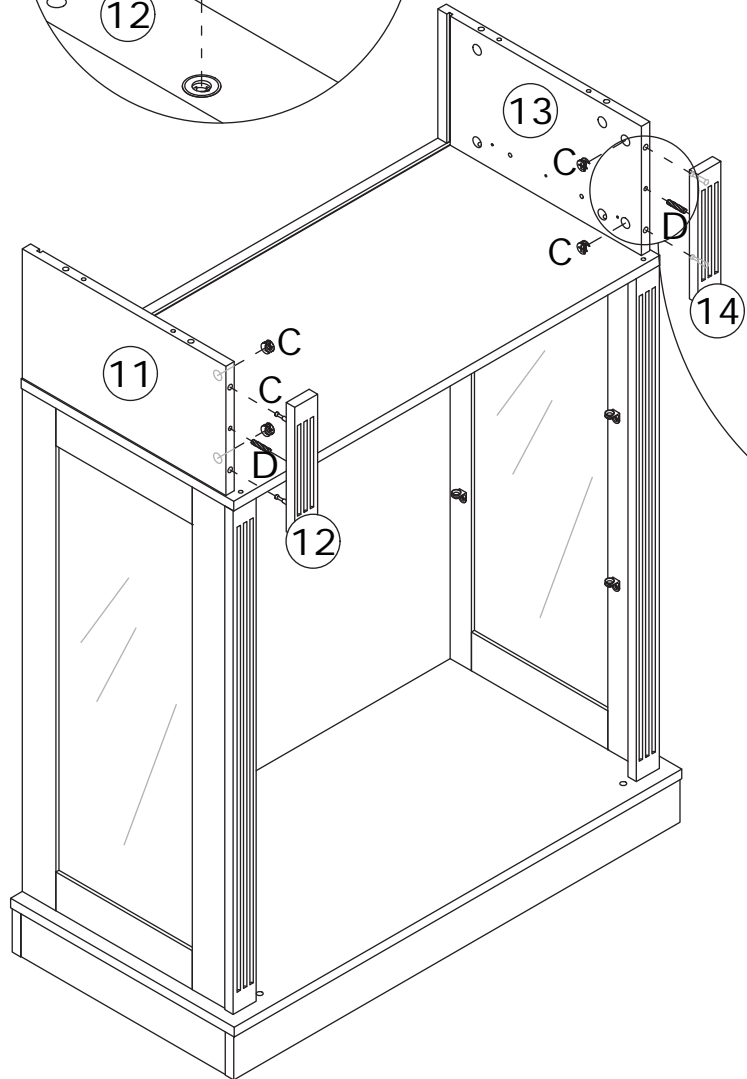
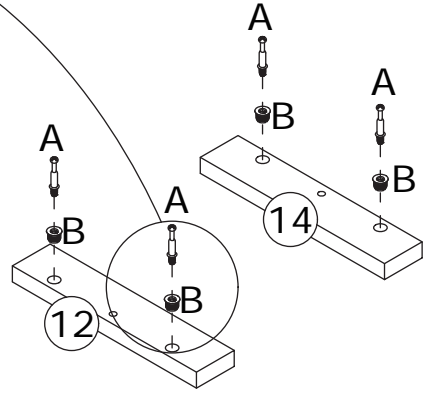
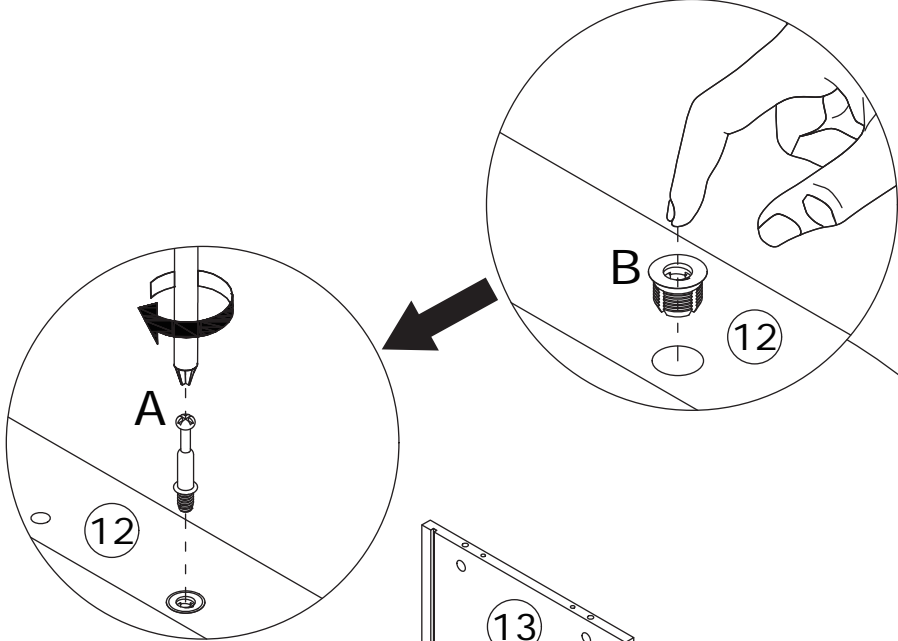
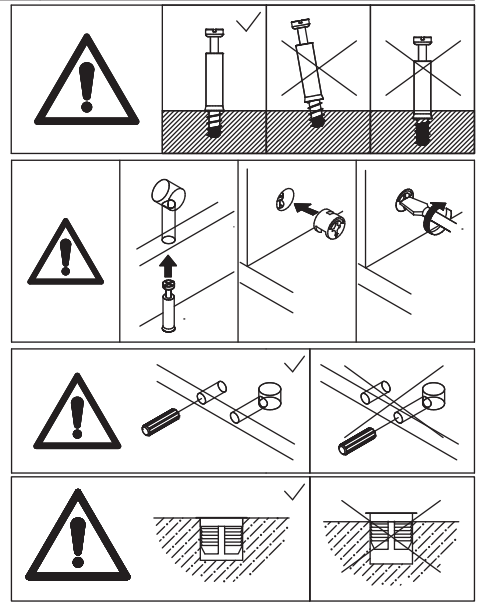
Attach panels 11 and 13 to panel 10 using dowel (D), then insert the eccentric wheel (C) and tighten it by turning clockwise.



15

<p>A x 4 CRA0635B</p> 	<p>B x 4</p> 	<p>C x 4 CRB1595A</p> 	<p>D x 2 CRF0630A</p> 	
---	--	---	--	---

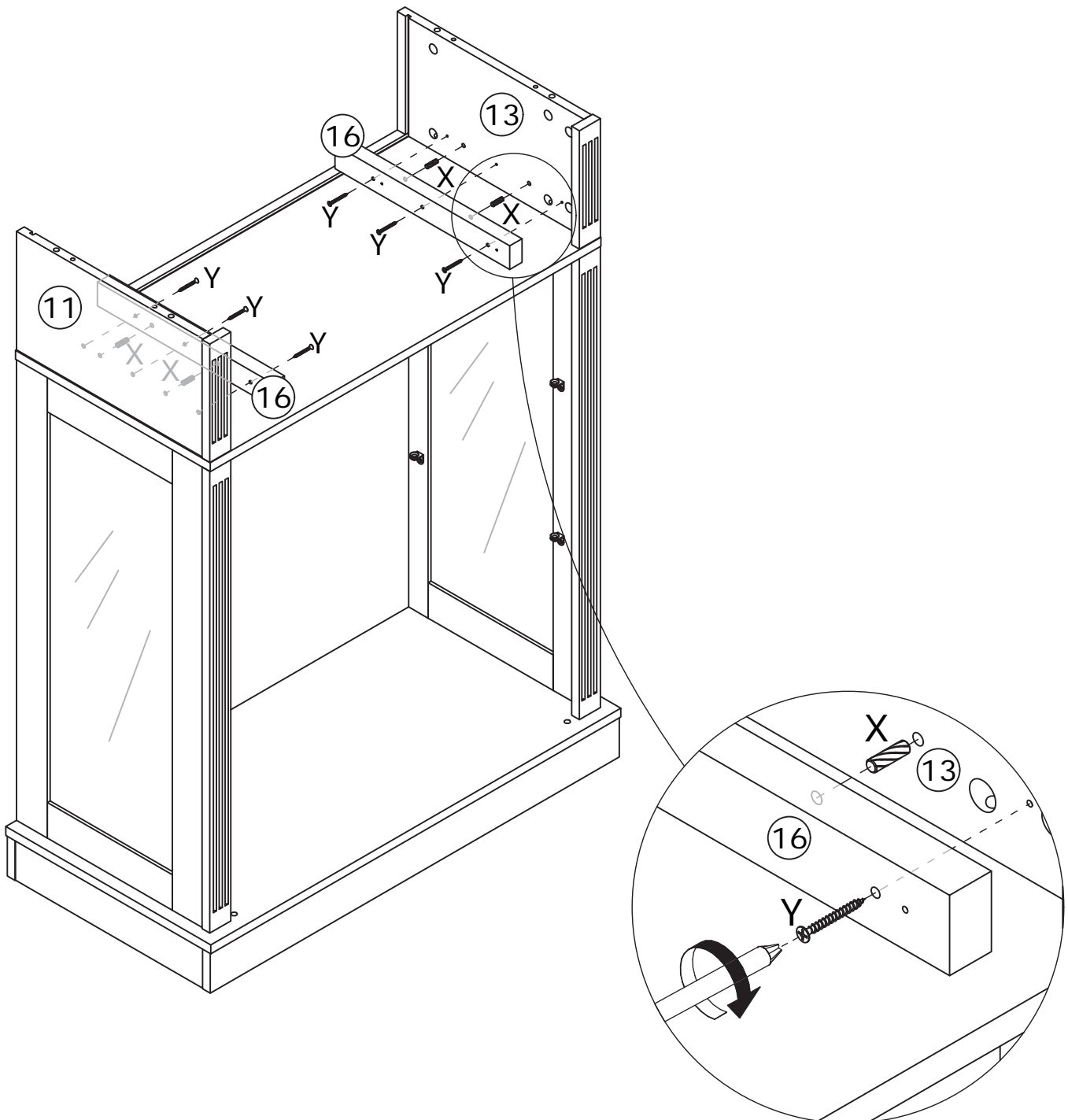
Attach component (B) into panels 12 and 14, screw self-tapping rod (A) into. Connect panels 12 and 14 to panels 11 and 13 using dowels (D). Insert the eccentric wheel (C) and tighten by turning clockwise.



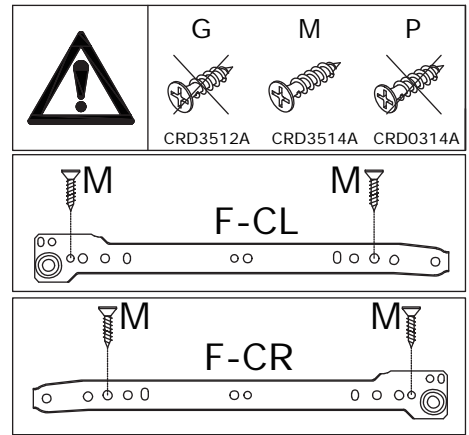
16



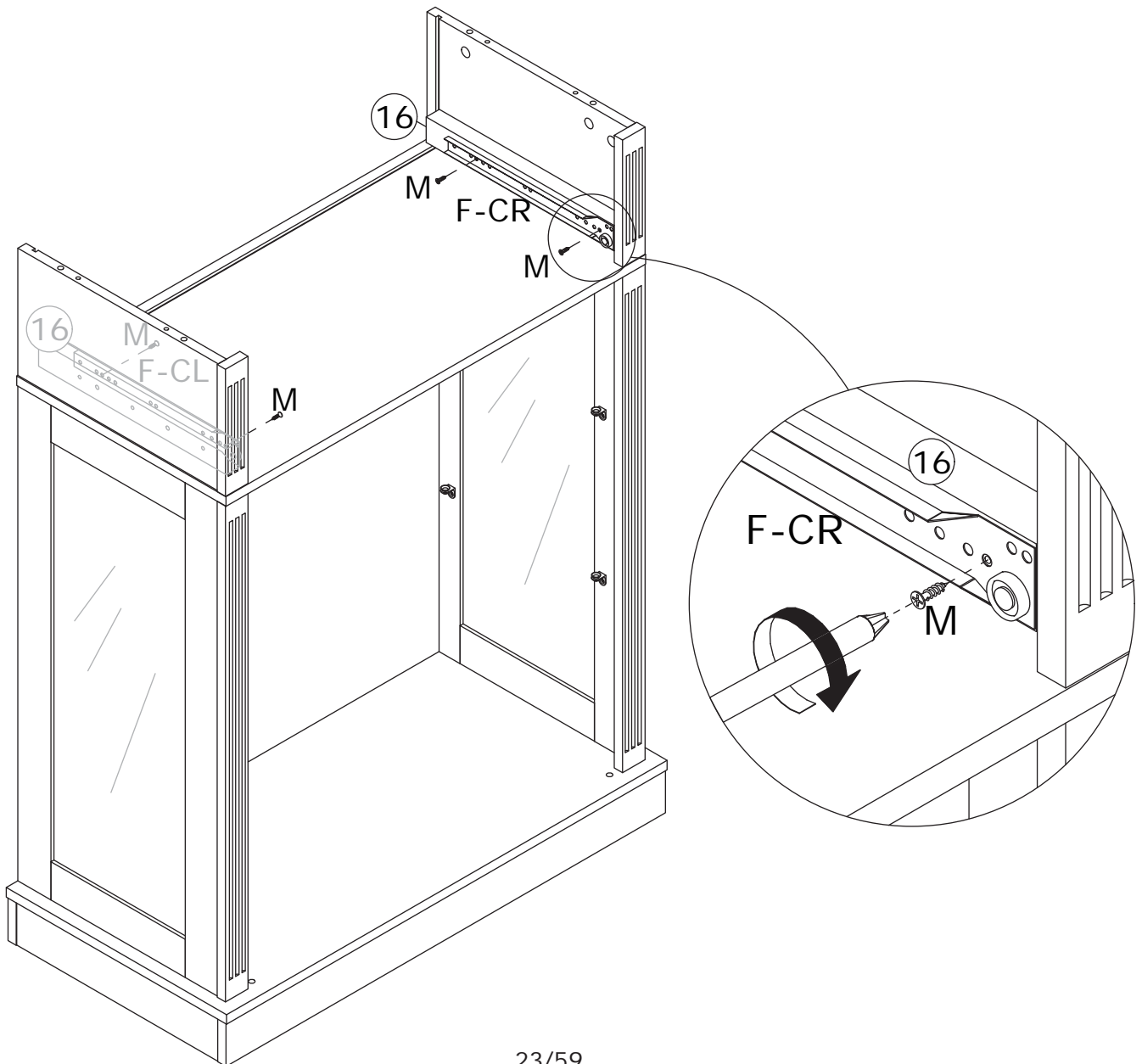
Connect panel 16 to panels 11 and 13 using dowel (X), and secure with screws (Y).



17

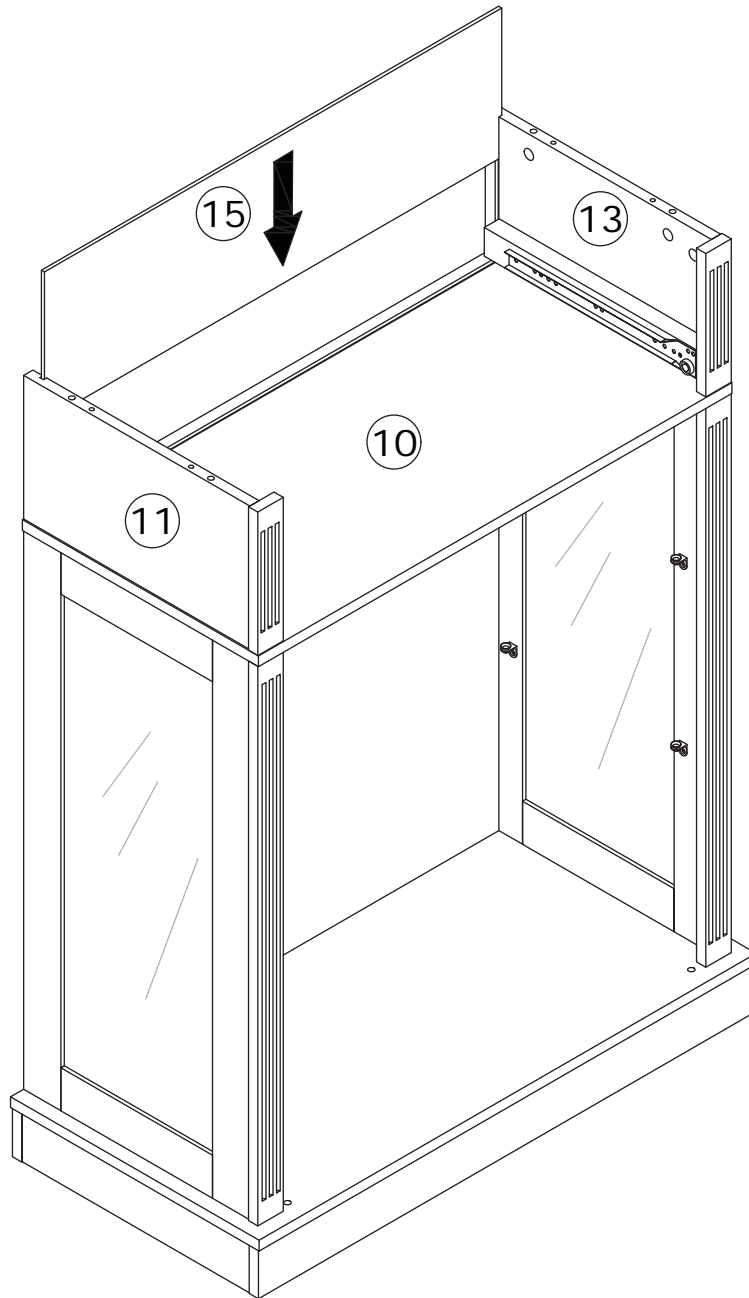


Secure the slide rail (F-CL) and (F-CR) to panel 16 using screws (M).

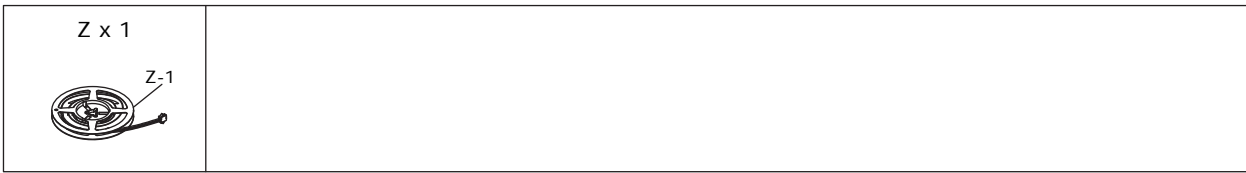


18

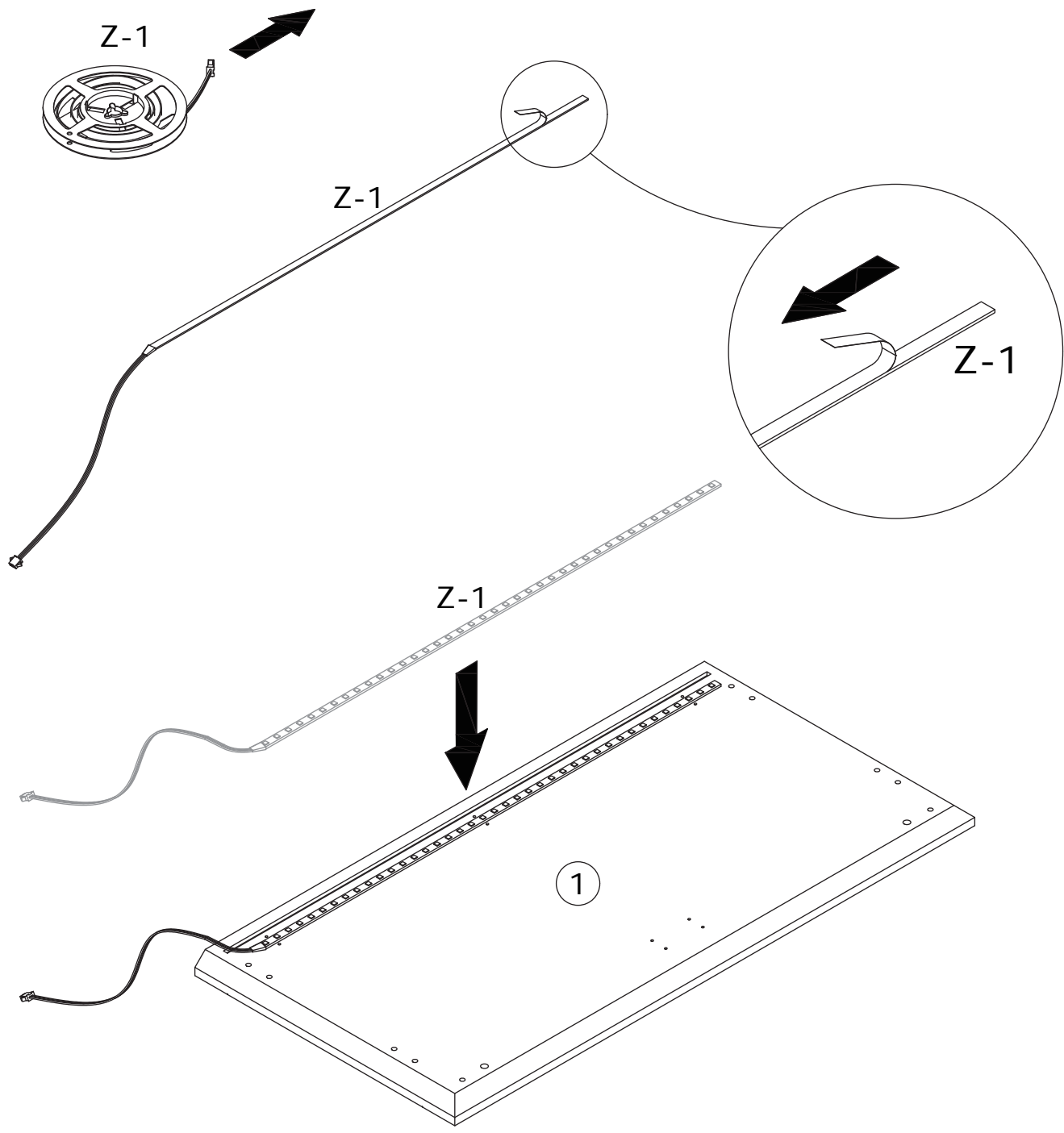
Insert panel 15 into the available slots.



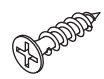
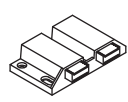
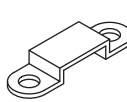
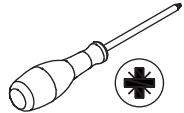
19


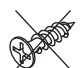
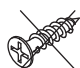



Unroll the light strip, peel off the protective film, and attach the light strip to the designated position on panel 1.

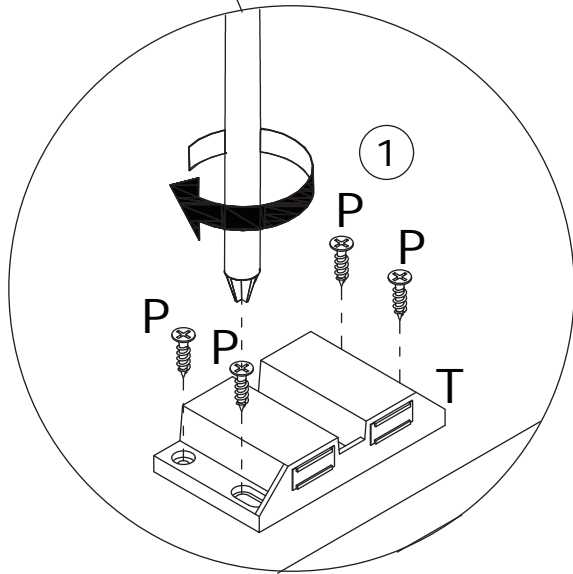
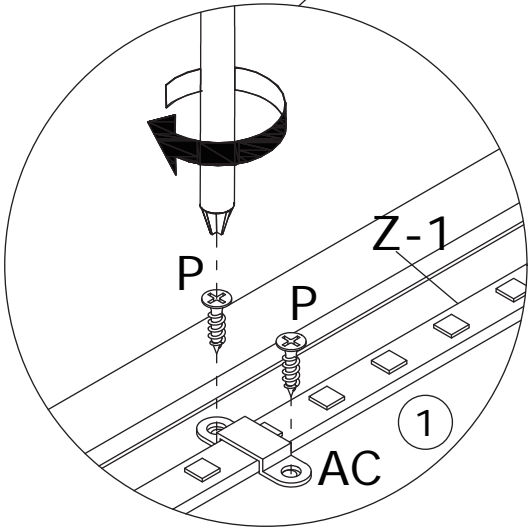
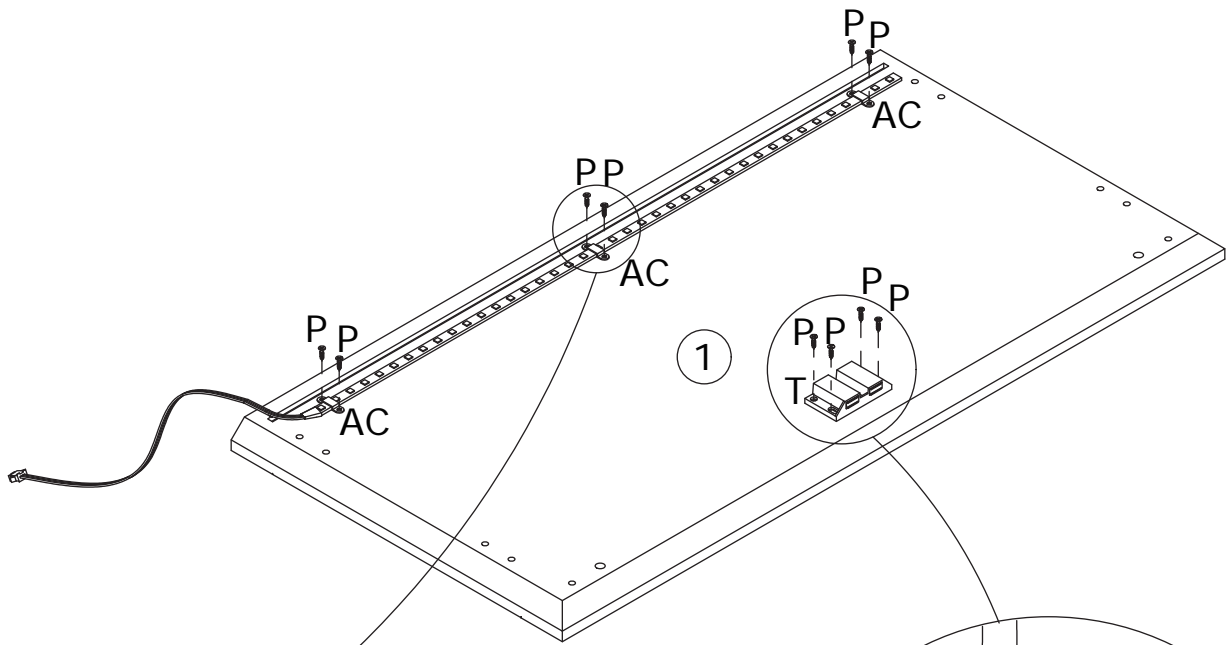


20

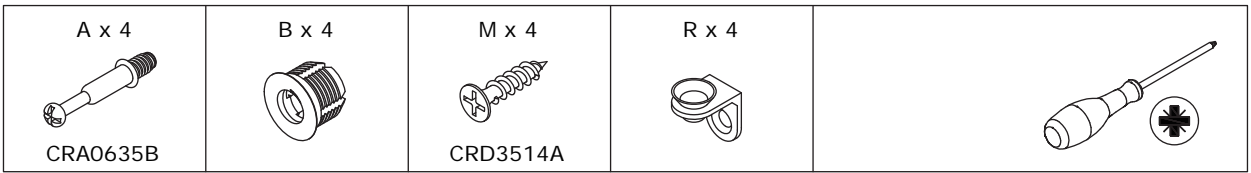
P x 10  CRD0314A	T x 1 	AC x 3 	
---	--	---	---

	G  CRD3512A	M  CRD3514A	P  CRD0314A
---	--	--	--

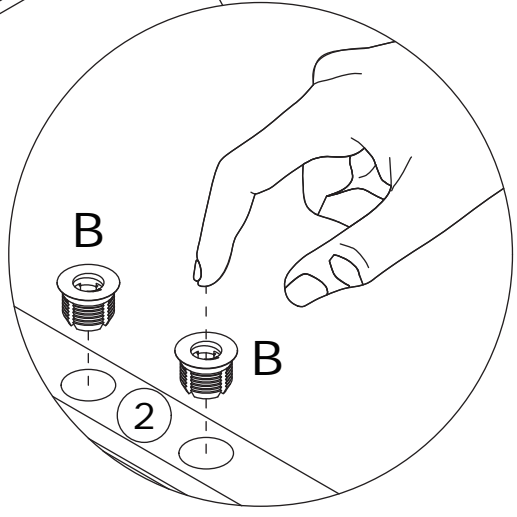
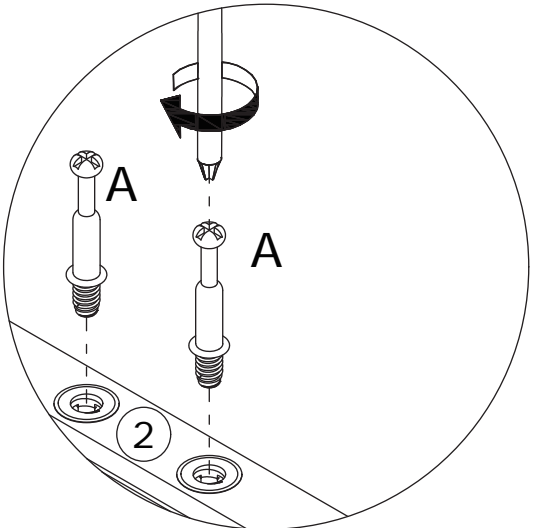
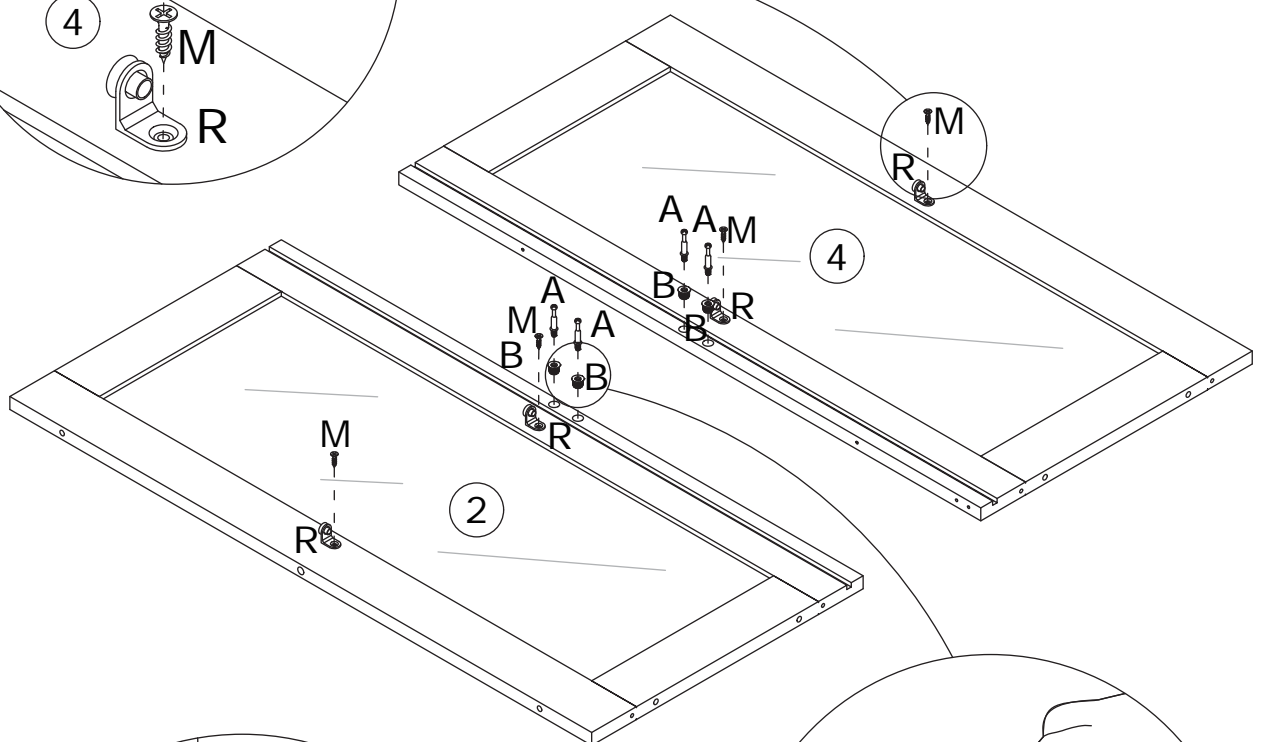
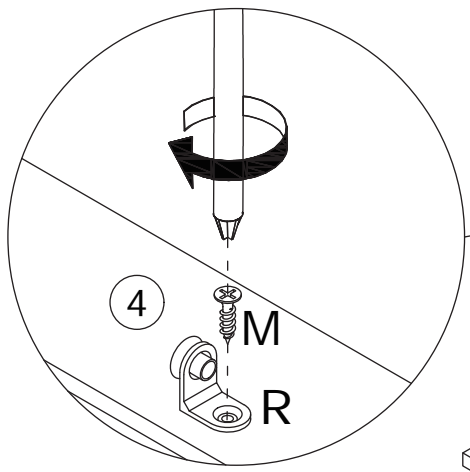
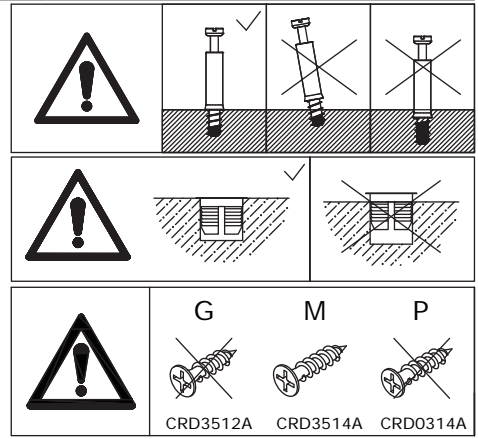
Use screws (P) to secure part (AC) to panel 1.
Use screws (P) to secure part (T) to panel 1.




21

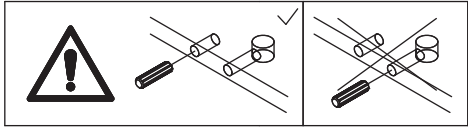


Attach component (B) into panel 2 and panel 4, screw self-tapping rod (A) into. Secure component (R) to panels 2 and 4 using screws (M).

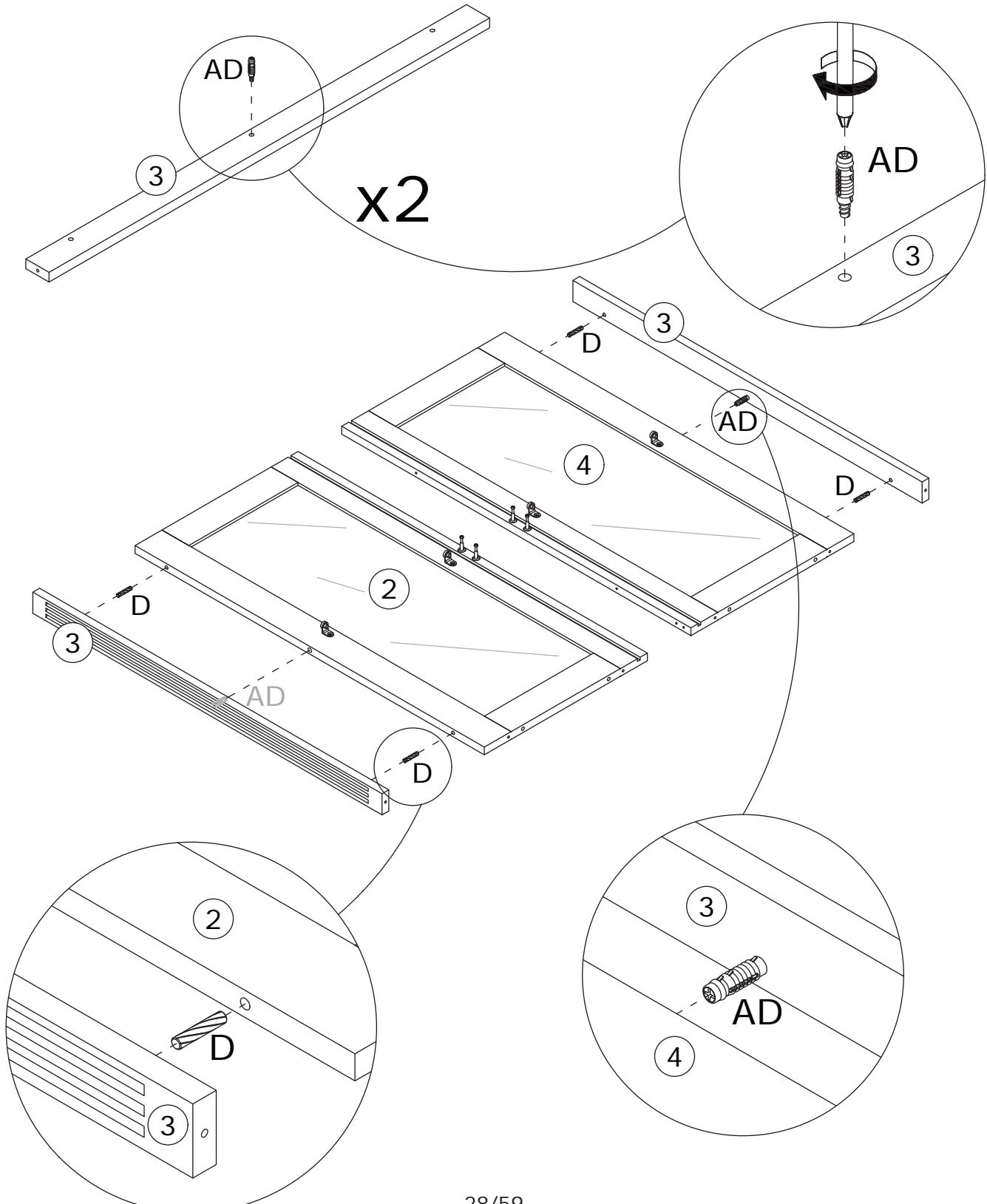


22

<p>D x 4</p>  <p>CRF0630A</p>	<p>AD x 2</p> 	
--	---	--

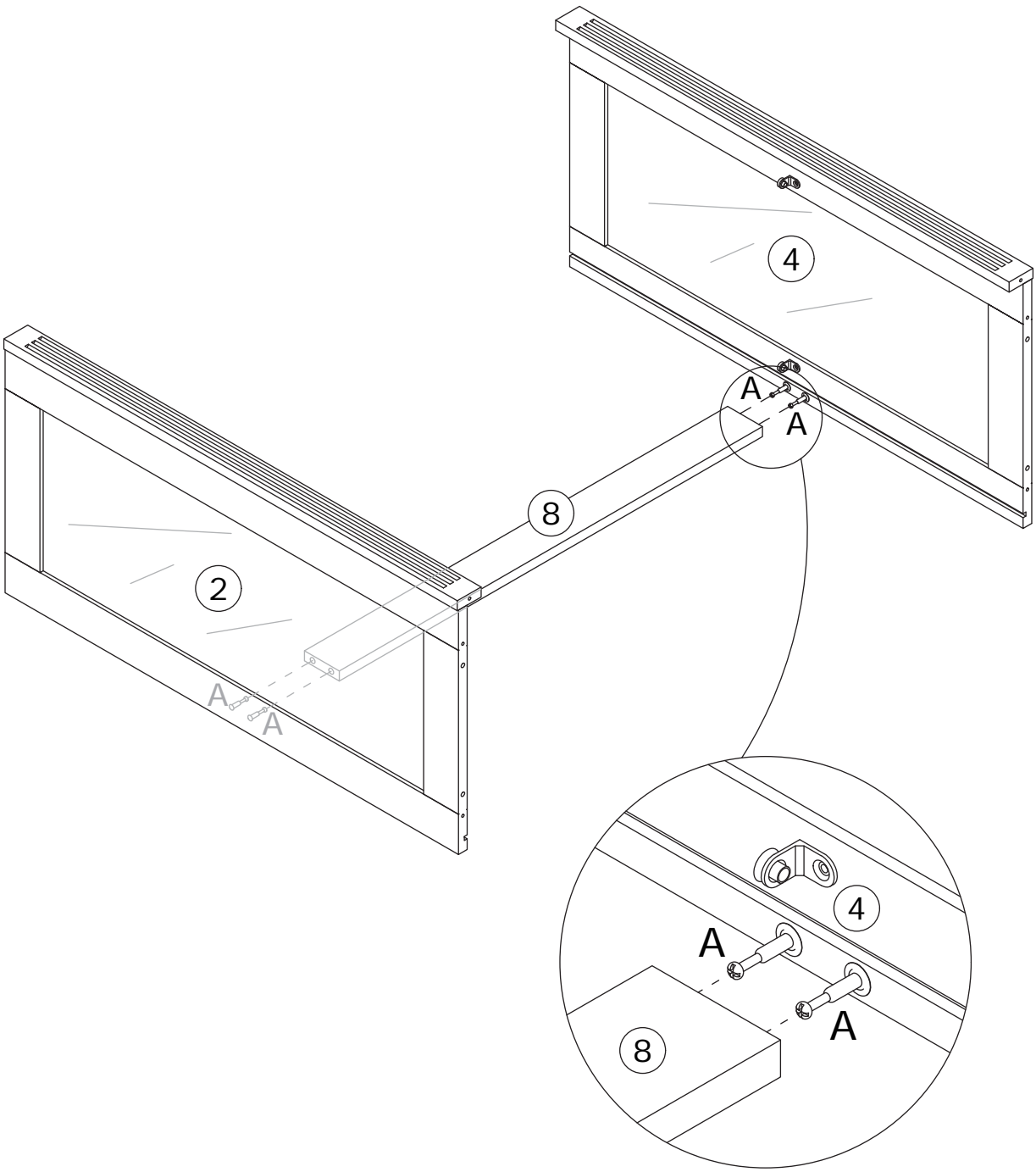


Screw component (AD) into panel 3.
Use dowels (D) to connect panel 3 to panels 2 and 4.



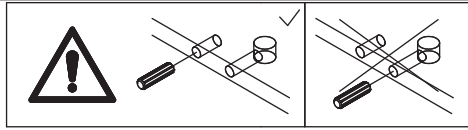
23

Connect panel 8 to panels 2 and 4.

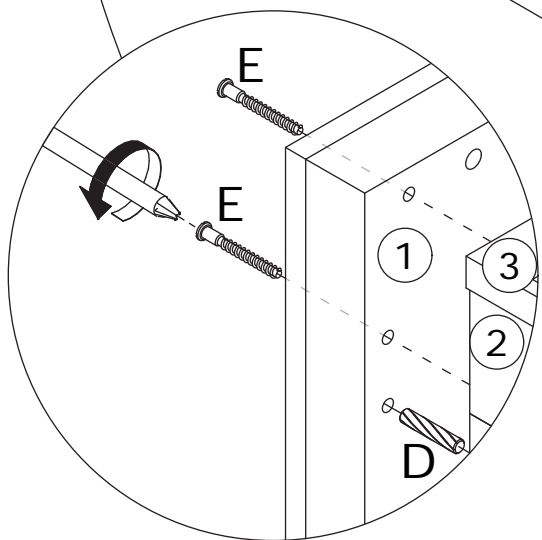
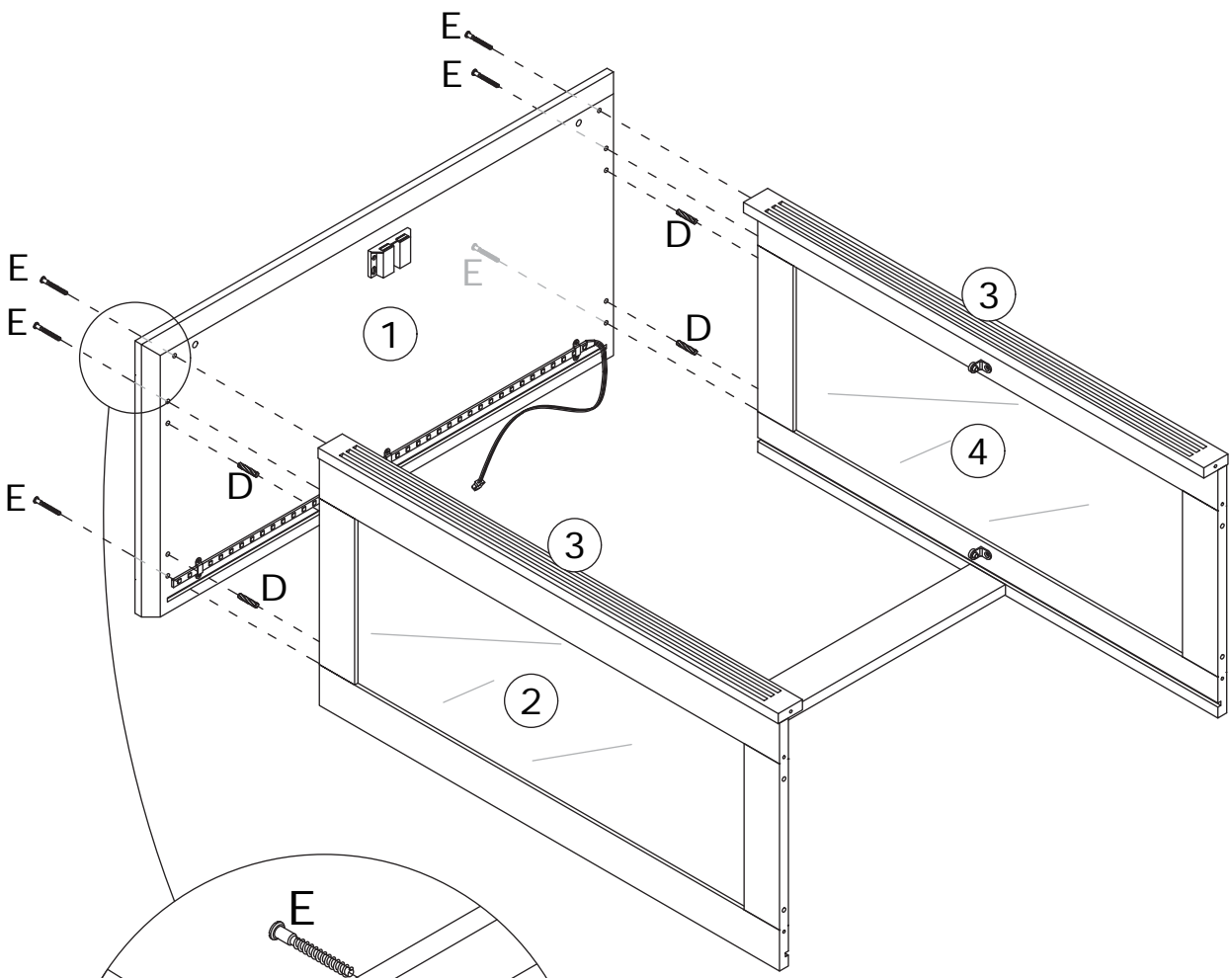


24

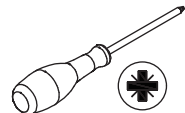
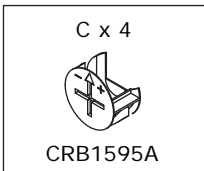
D x 4  CRF0630A	E x 6  CRC0540A	
--	--	---



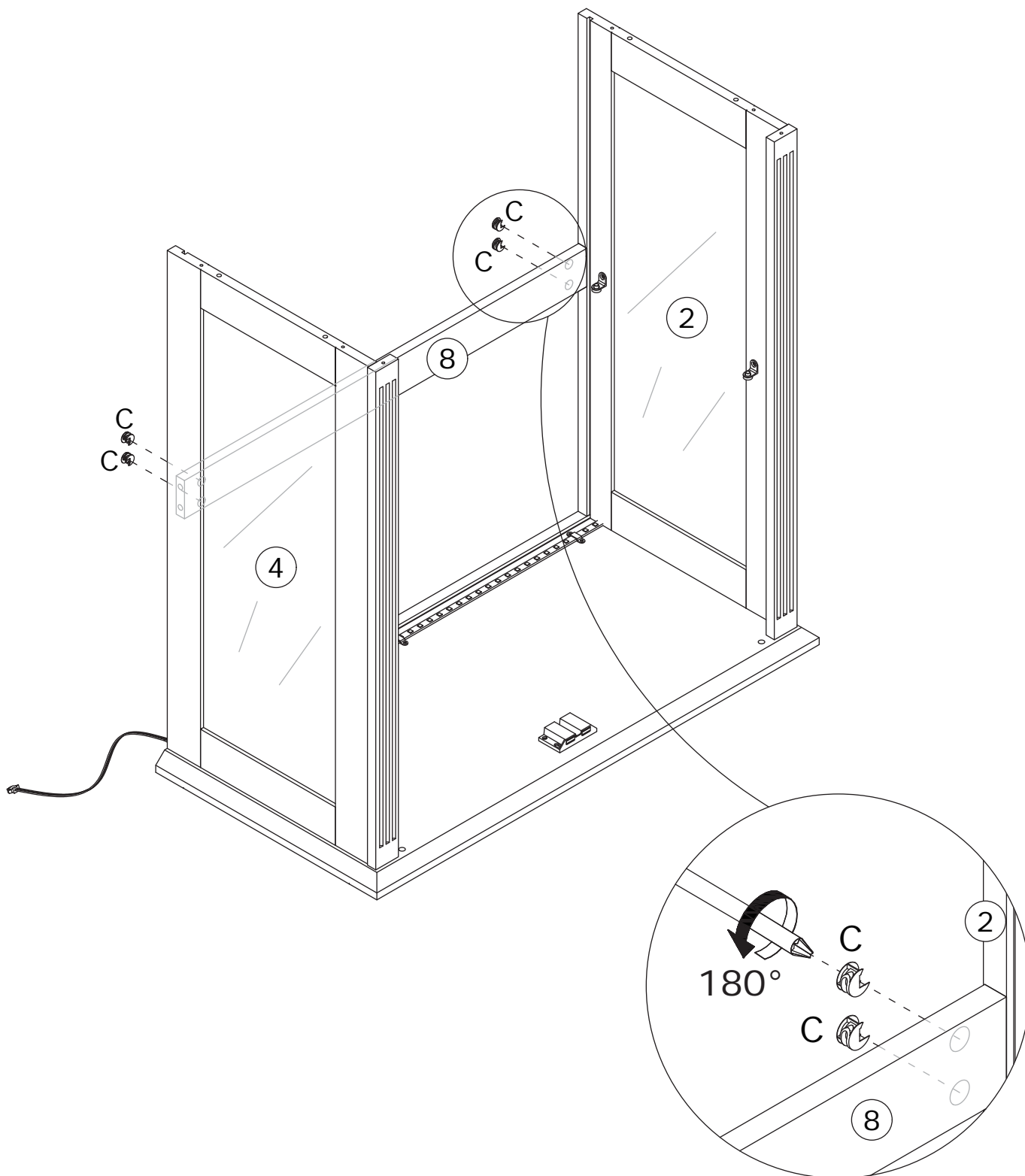
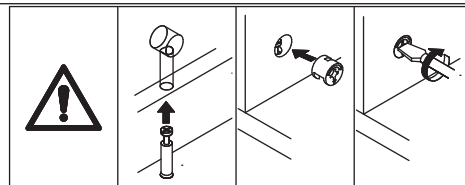
Use dowels (D) to connect panel 1 to panels 2, 3, and 4, and secure with screws (E).



25

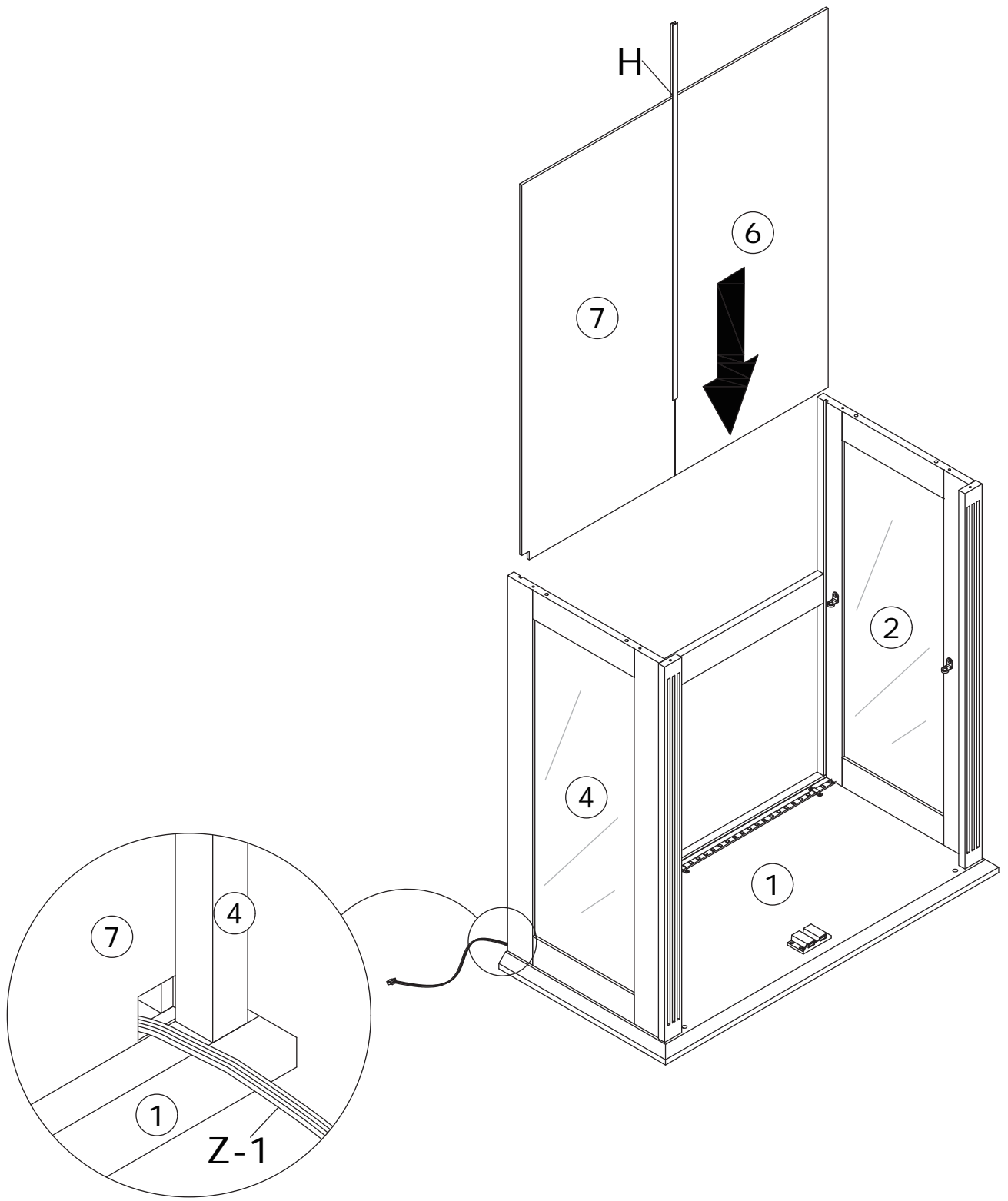


Insert the eccentric wheel (C) and tighten it by turning clockwise.



26

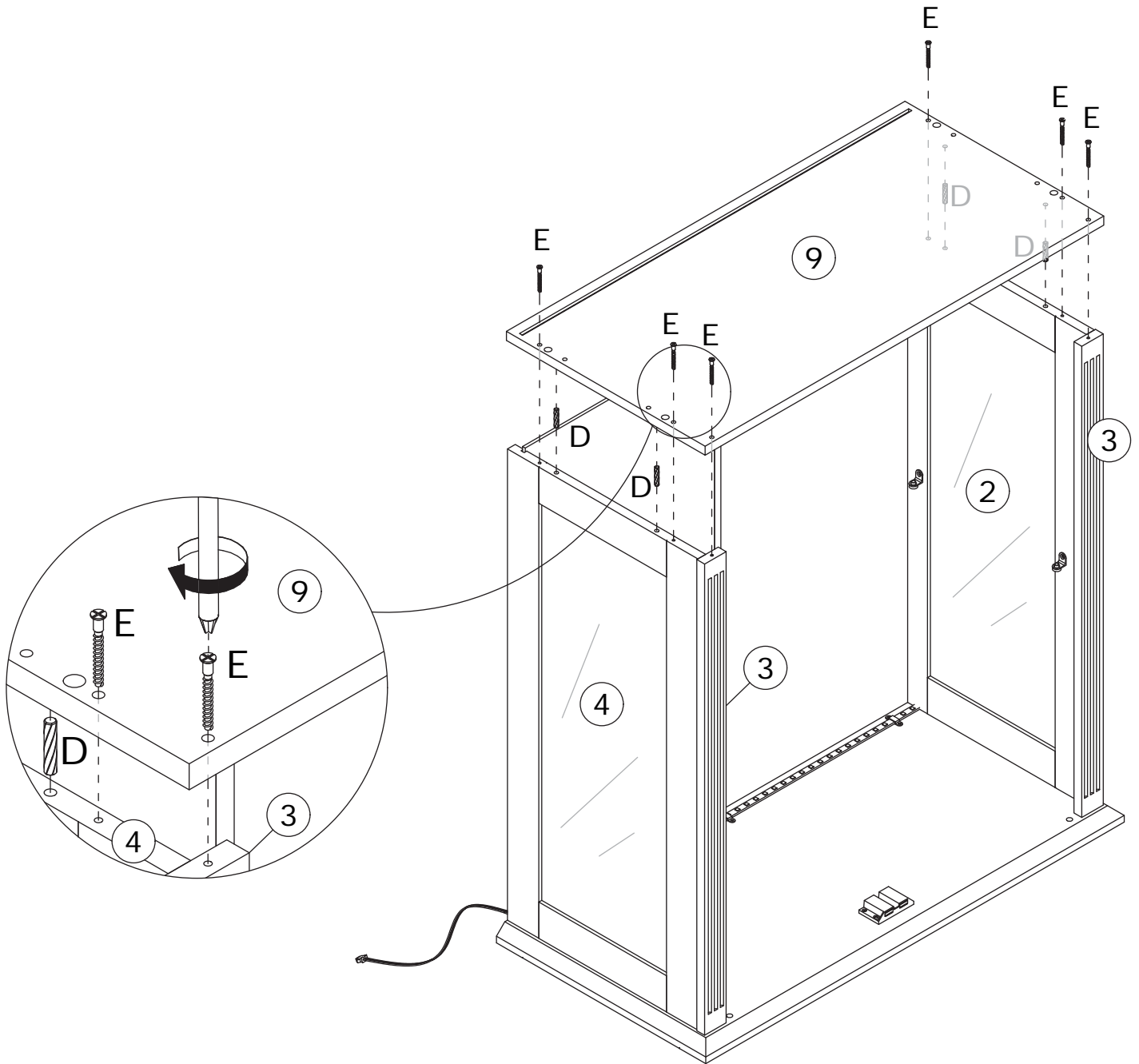
Use component (H) to connect panels 6 and 7, then insert the back panels along the available slots.



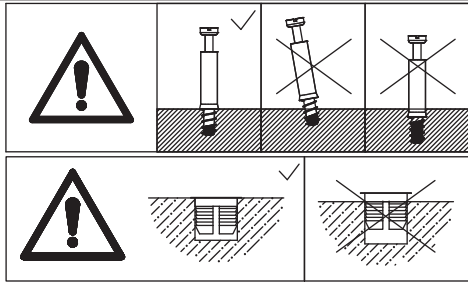
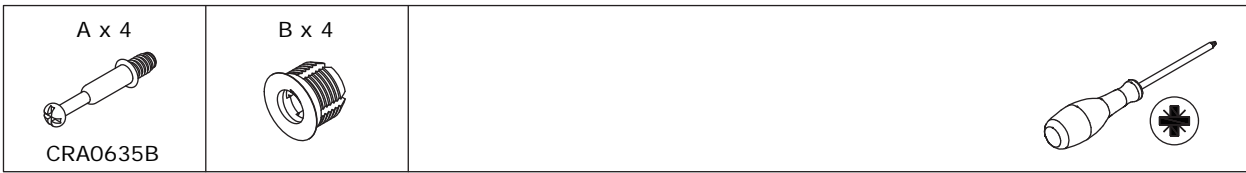
27



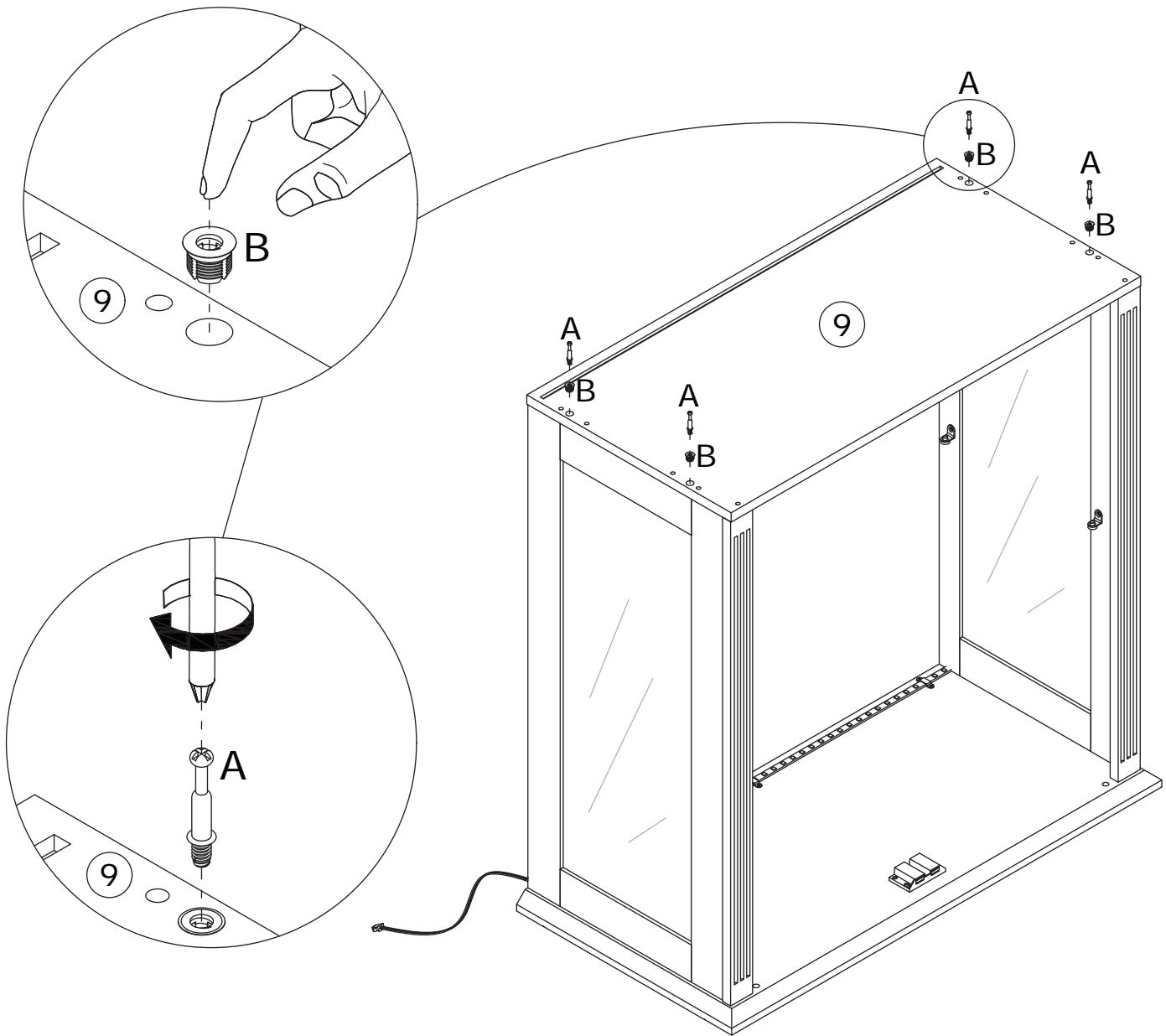
Connect panel 9 to panels 2 and 4 using dowels (D), and secure panel 9 to panels 2, 3, and 4 with screws (E).



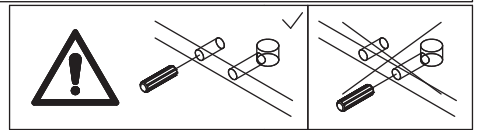
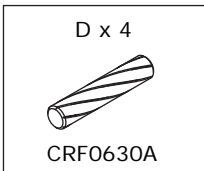
28



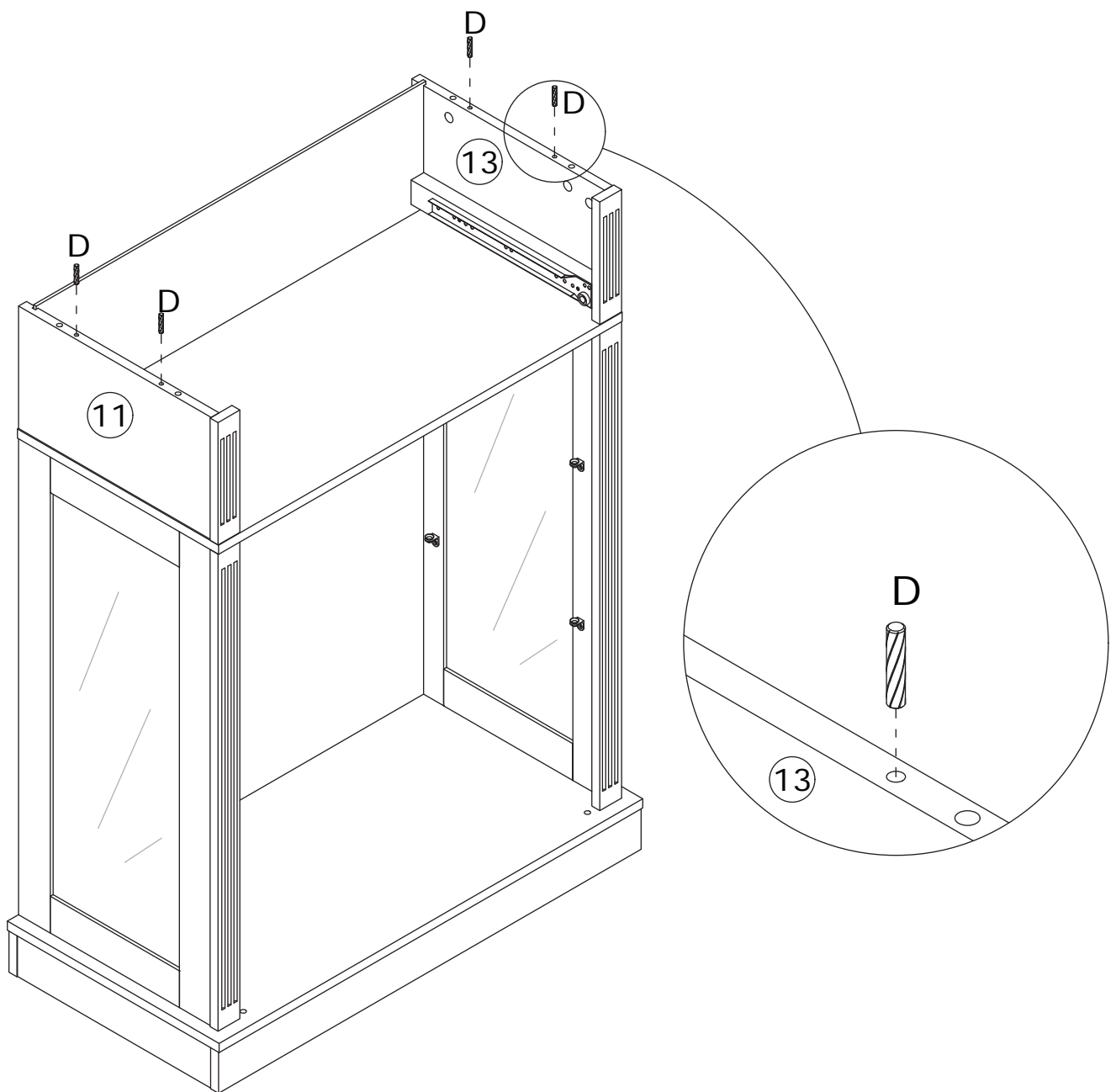
Attach component (B) into panel 9, then screw the self-tapping rod (A) into.



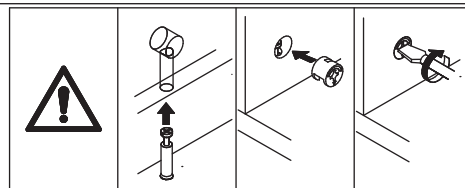
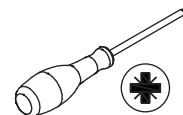
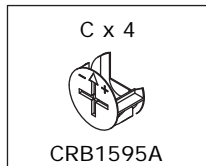
29



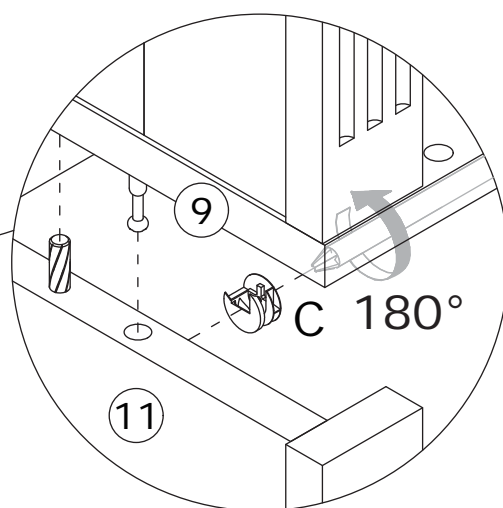
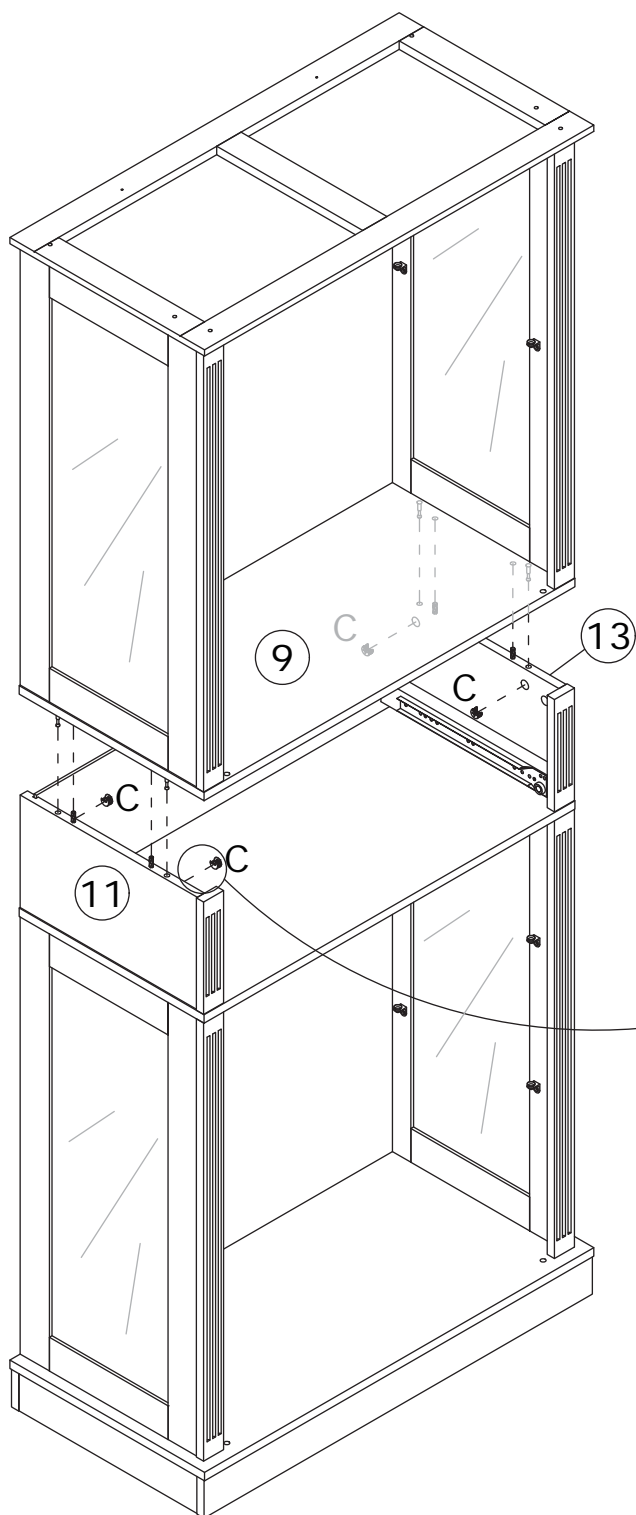
Insert the wooden dowels (D) into panels 11 and 13.



30


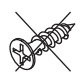
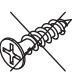



Connect the two assembled components, insert the eccentric wheel (C) and tighten it by turning clockwise.

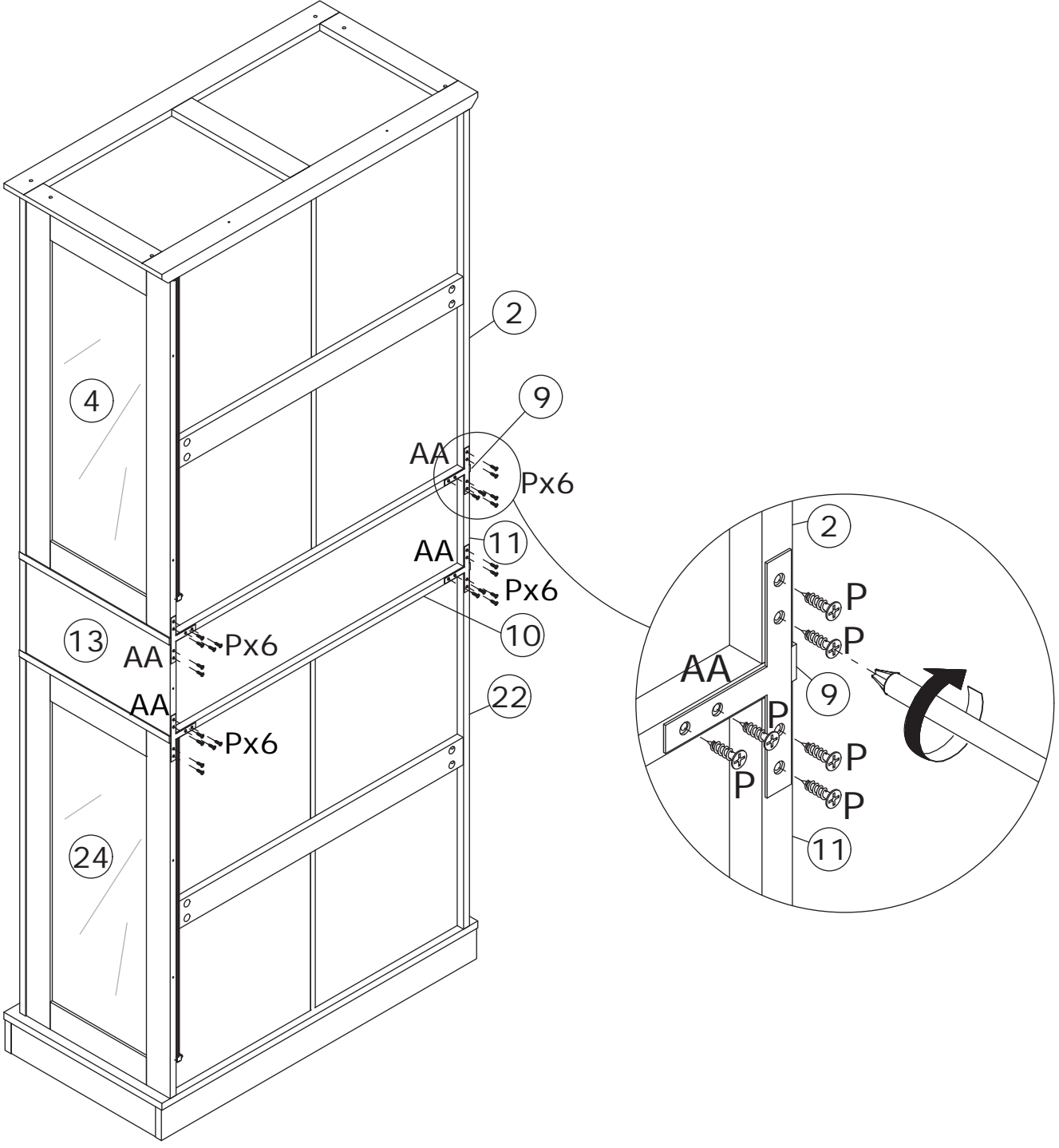


31

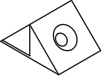
P x 24  CRD0314A	AA x 4 	
---	---	---


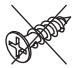
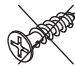

	G  CRD3512A	M  CRD3514A	P  CRD0314A
---	--	--	--

Secure component (AA) to the mounting unit using screws (P).

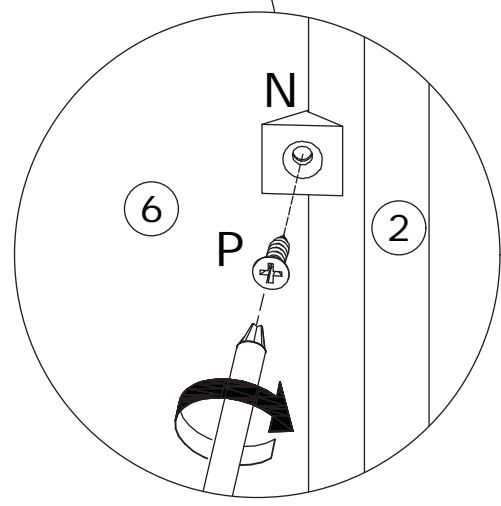
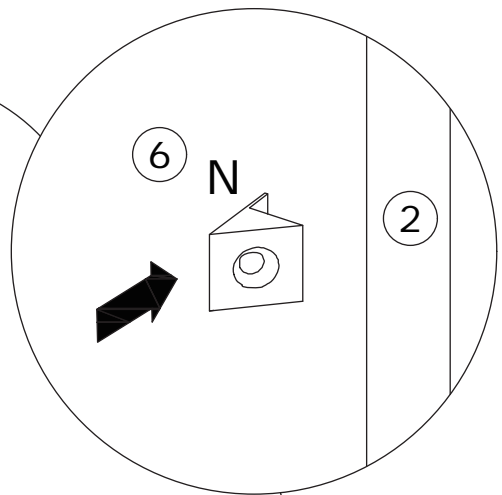
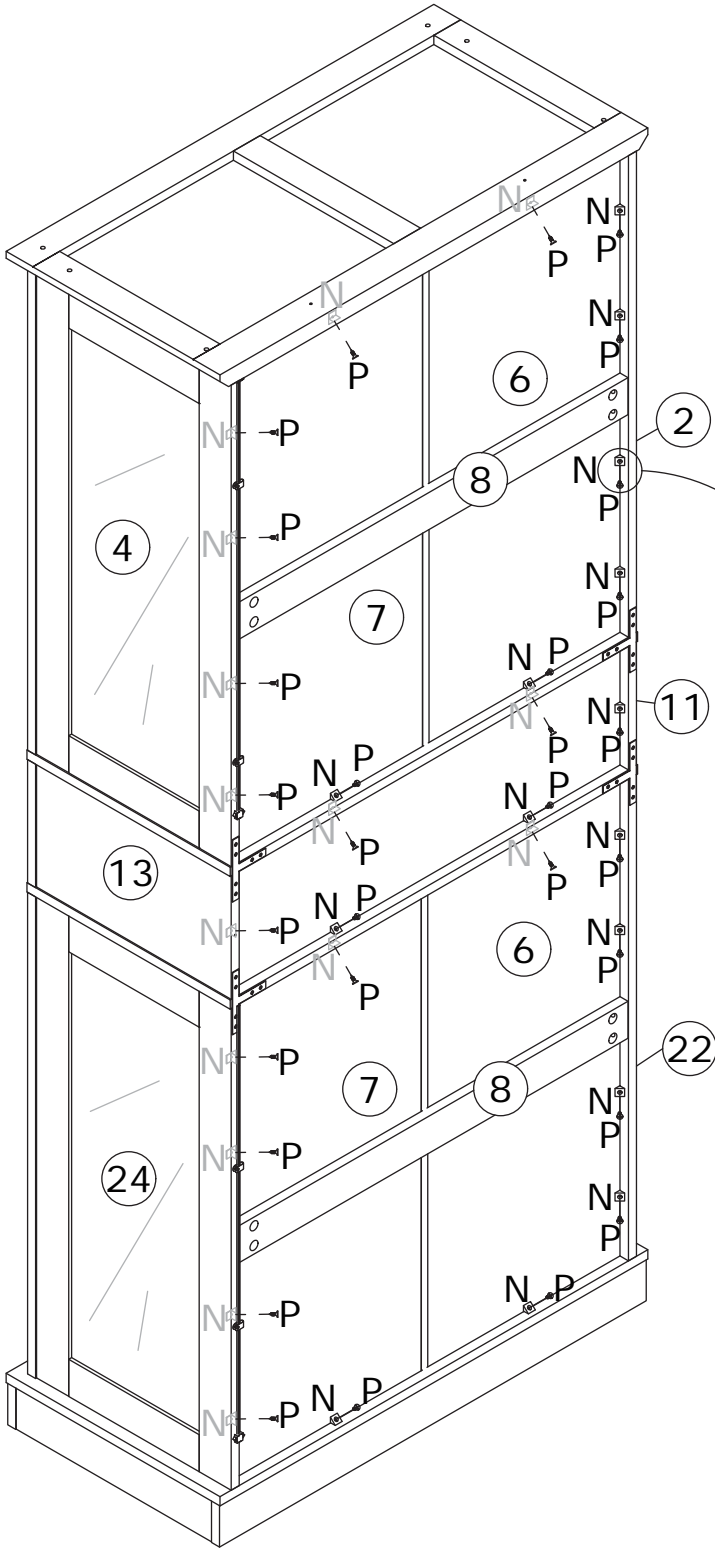


32

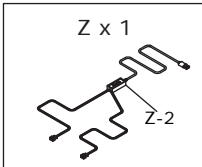
N x 30 	P x 30  CRD0314A	
---	---	---

	G  CRD3512A	M  CRD3514A	P  CRD0314A
---	--	--	--

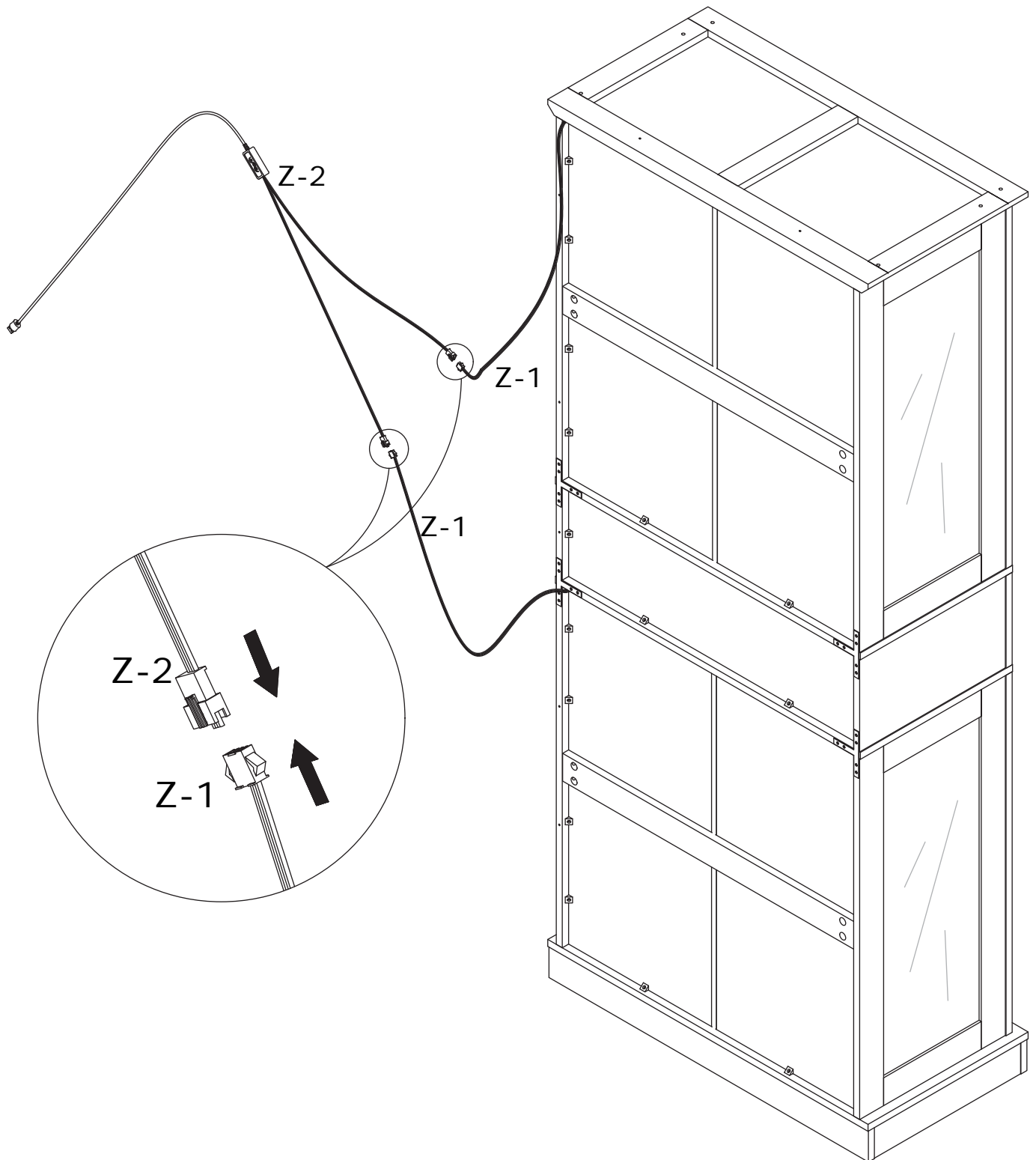
Insert buckle (N) into back slots and secure with screws (P).




33


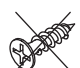

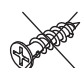


Connect light cable Z-1 to light strip Z-2.

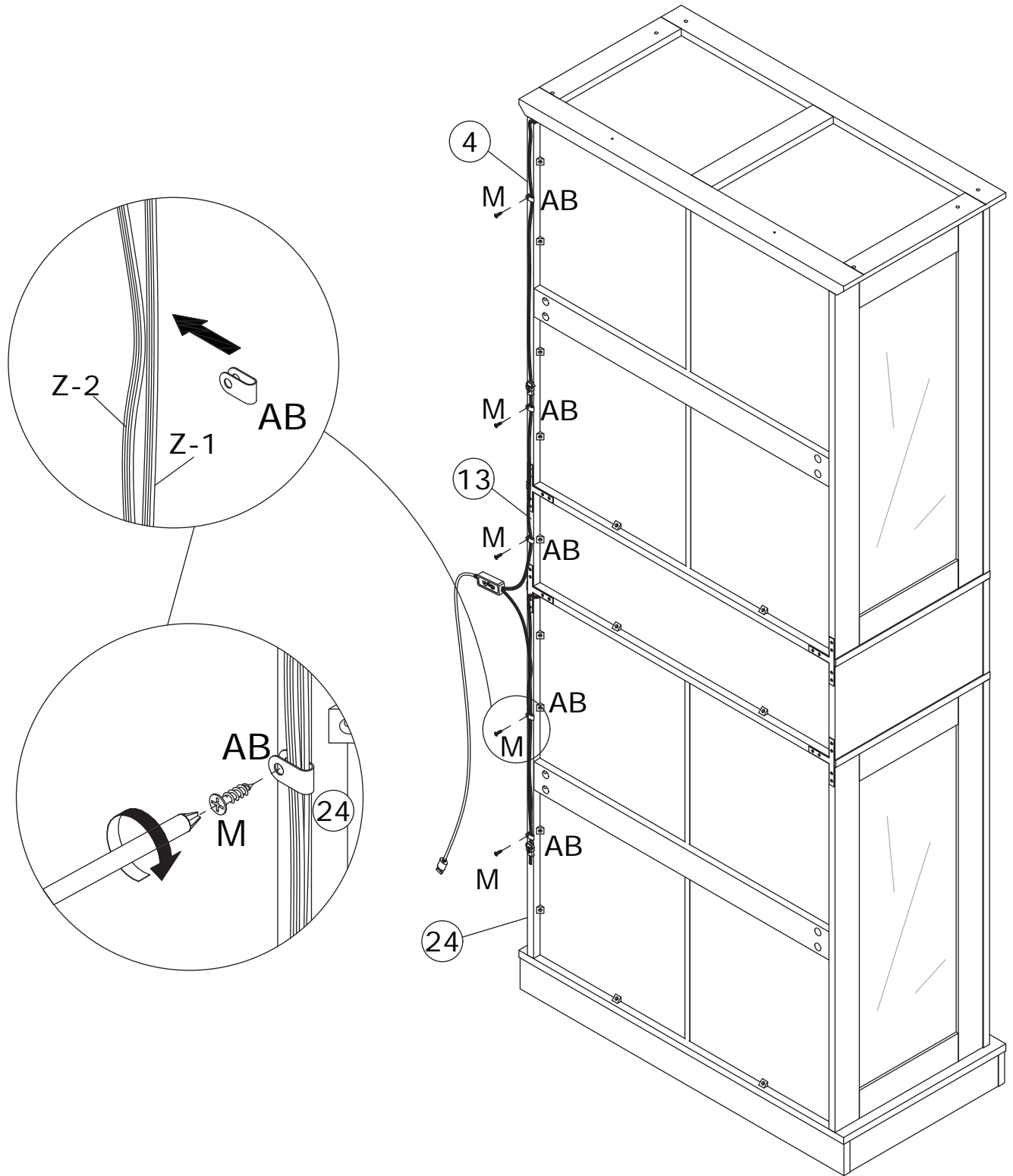


34

M x 5  CRD3514A	AB x 5 	
--	---	---


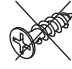

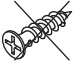
	G  CRD3512A	M  CRD3514A	P  CRD0314A
---	---	---	---

Use clip (AB) to secure the light strip cable, and secure the clips to panels 4, 13, and 24 using screws (M).

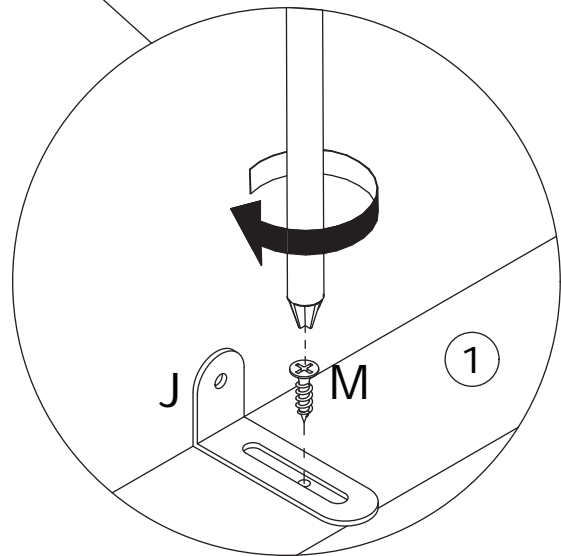
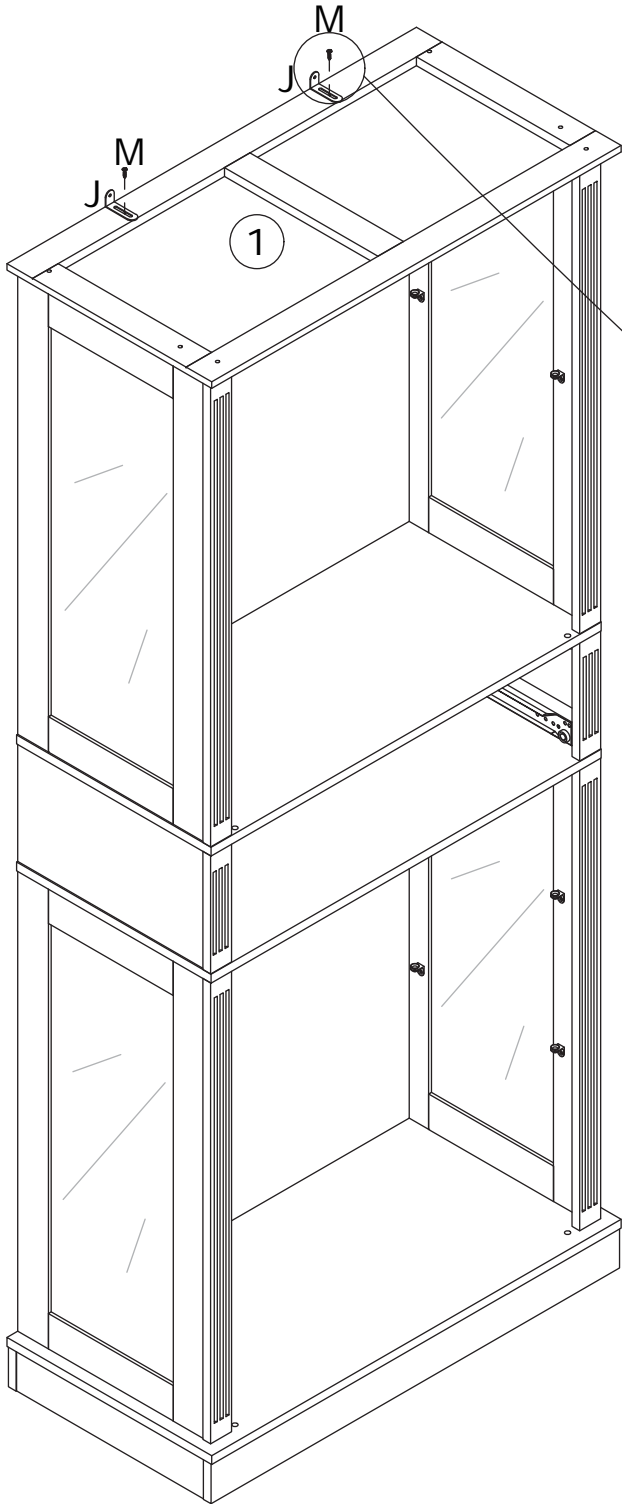


35

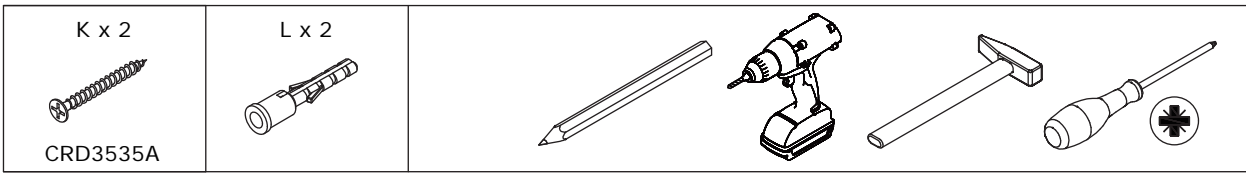
J x 2 	M x 2  CRD3514A	
--	--	---

	G  CRD3512A	M  CRD3514A	P  CRD0314A
---	---	---	---

Secure component (J) to panel 1 using screws (M).

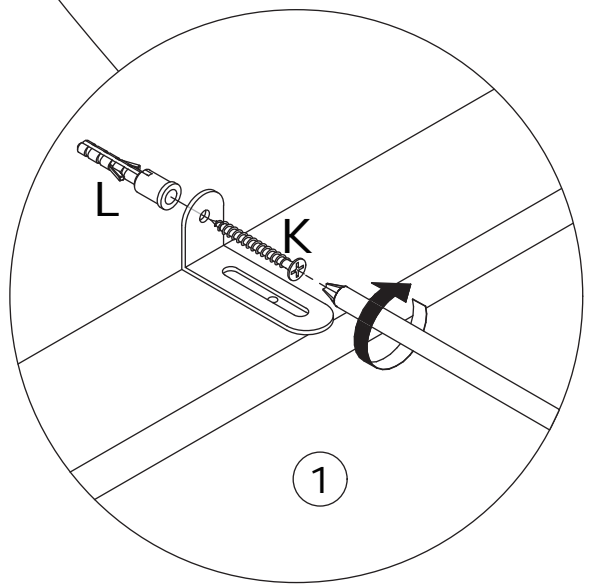
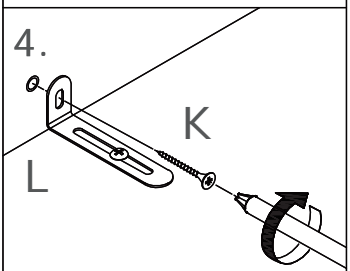
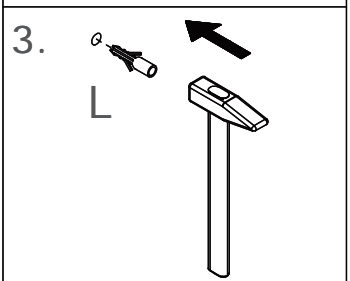
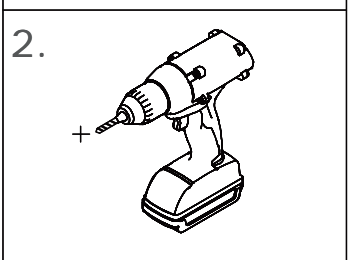
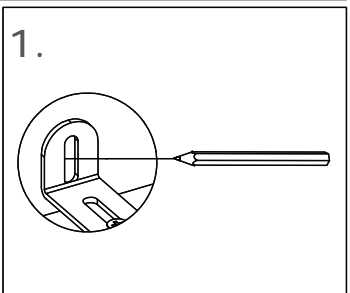
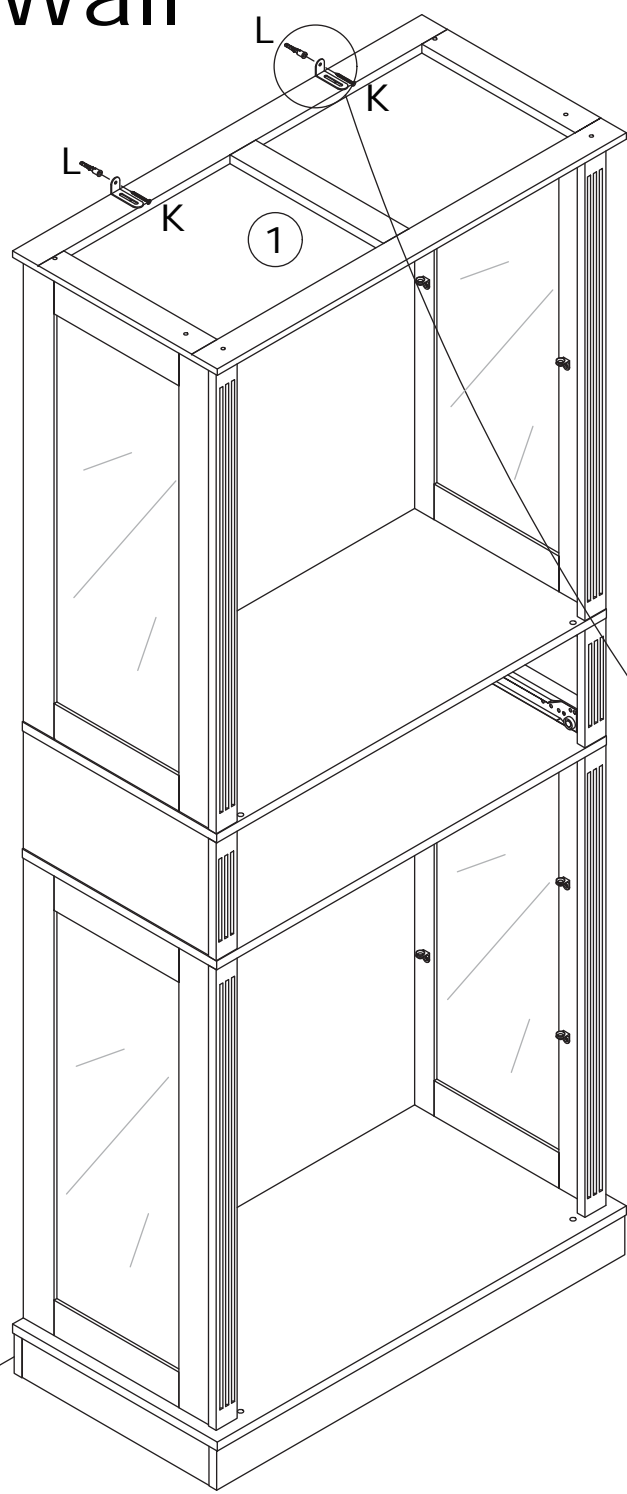


36

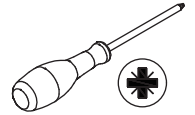
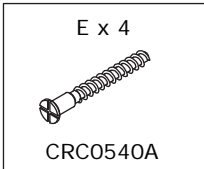


Install anti-tip device.

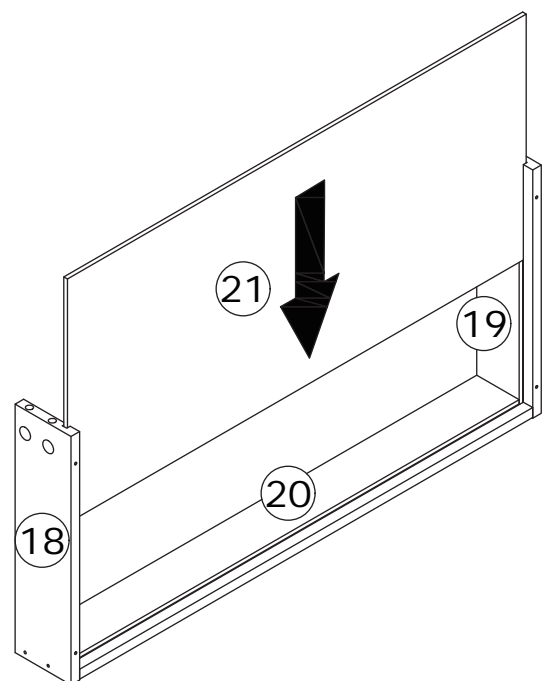
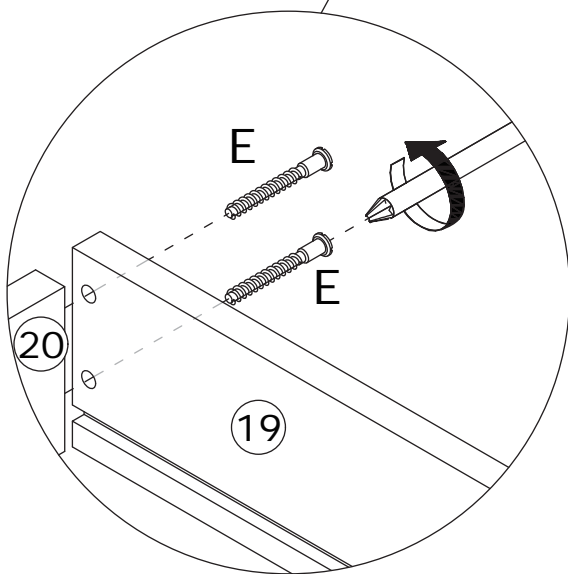
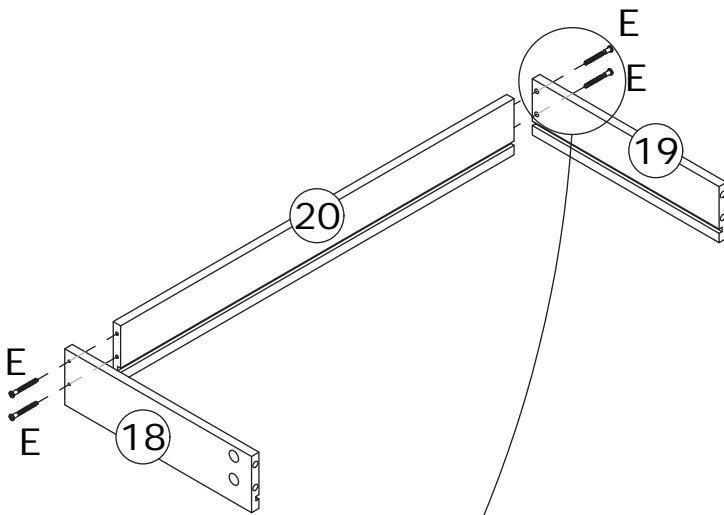
Wall



37



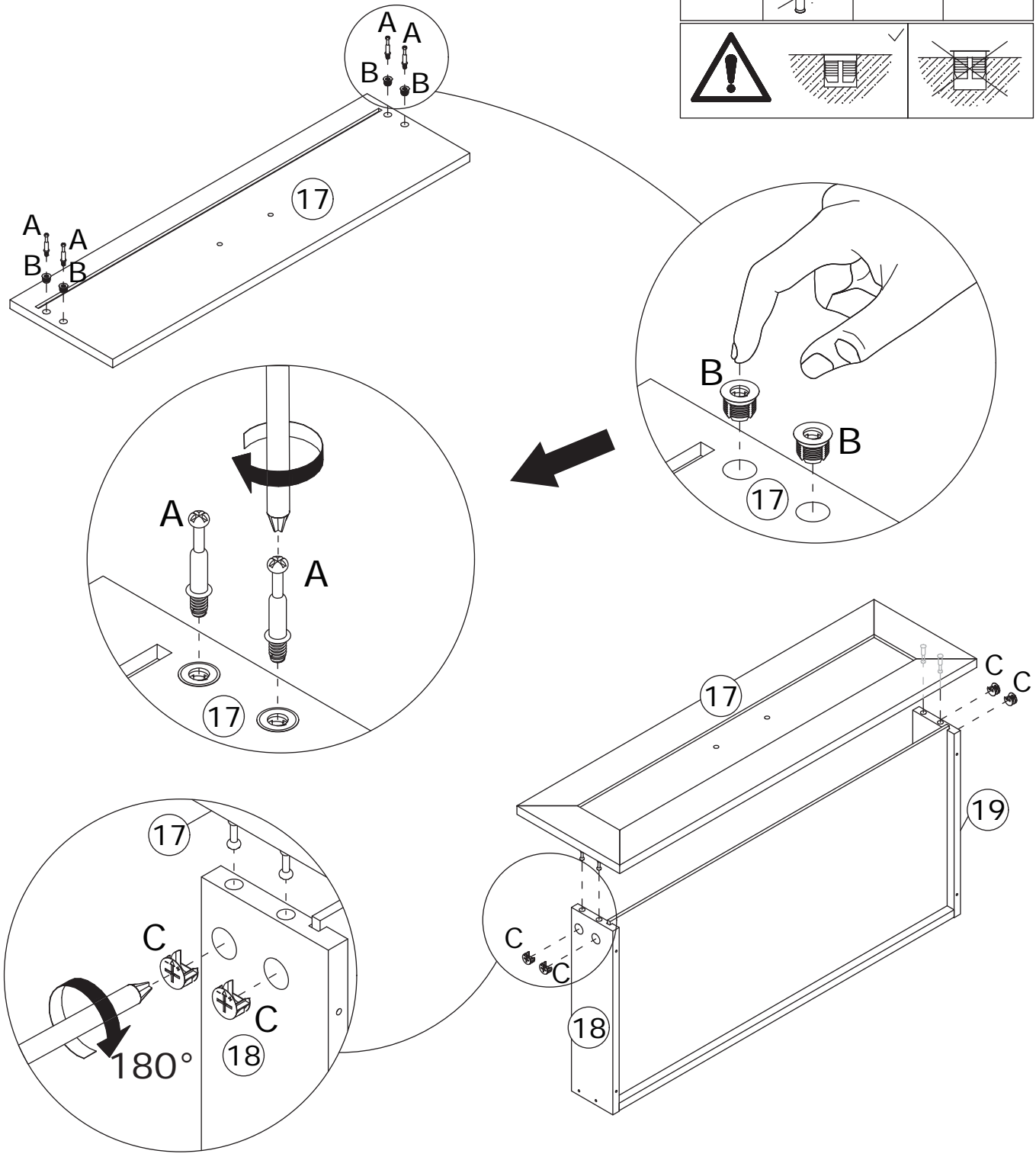
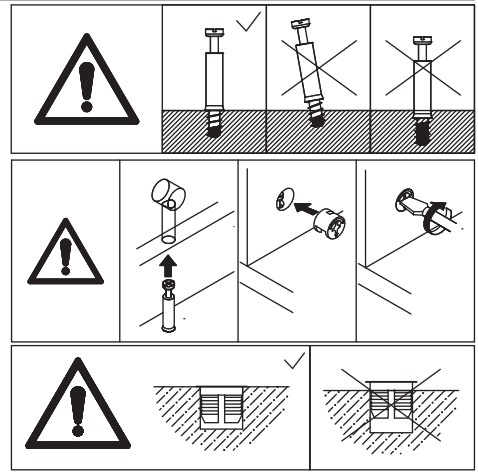
Secure panel 20 to panels 18 and 19 using screws (E), then insert panel 21 along the available slots.



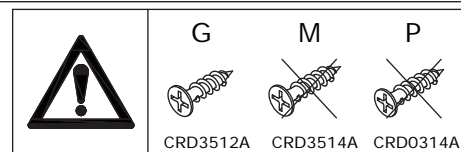
38



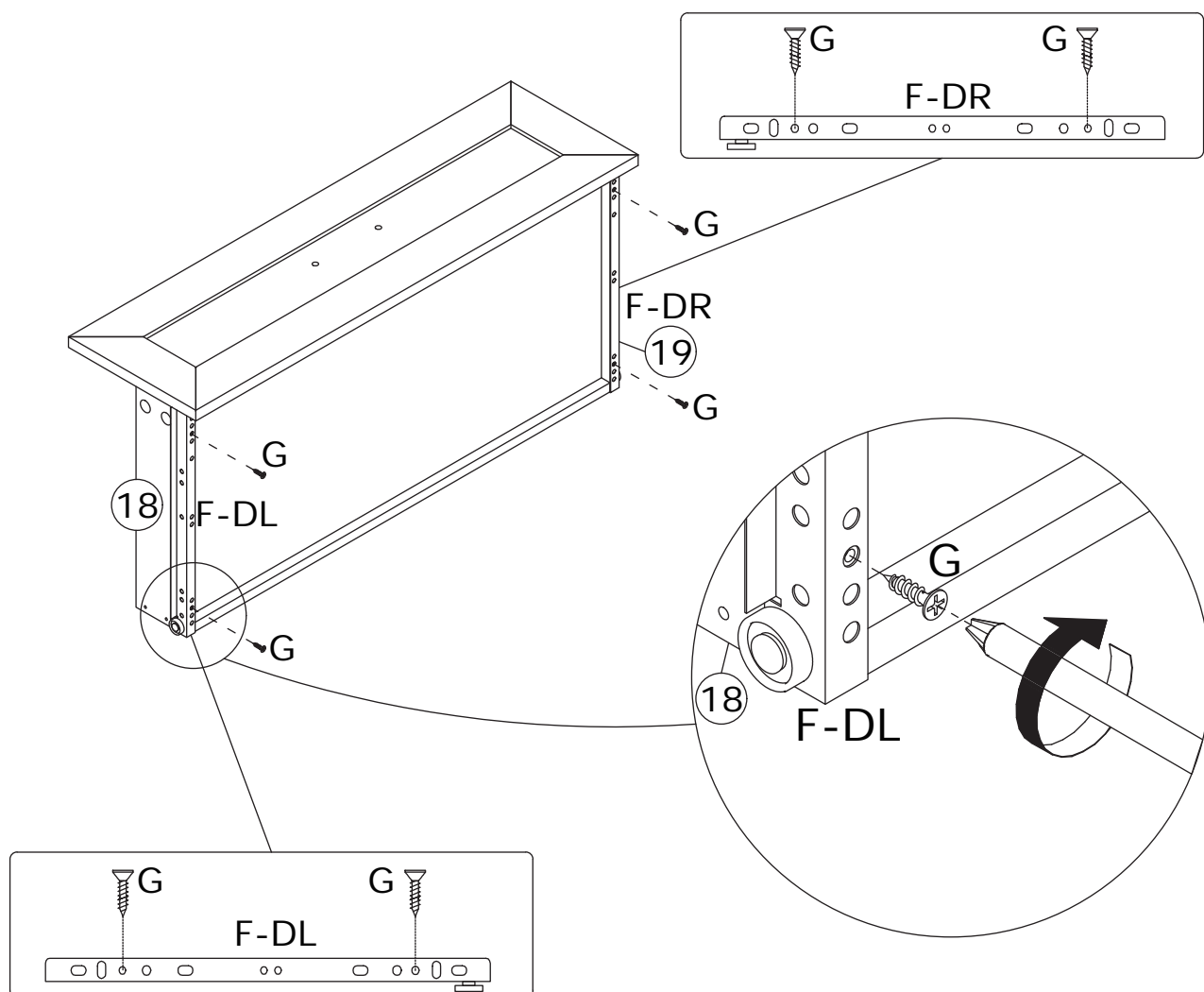
Attach component (B) to panel 17, screw self-tapping rod (A) into. Connect panel 17 to panels 18 and 19, insert the eccentric wheel (C) and tighten it by turning clockwise.



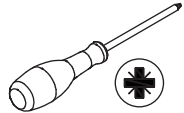
39



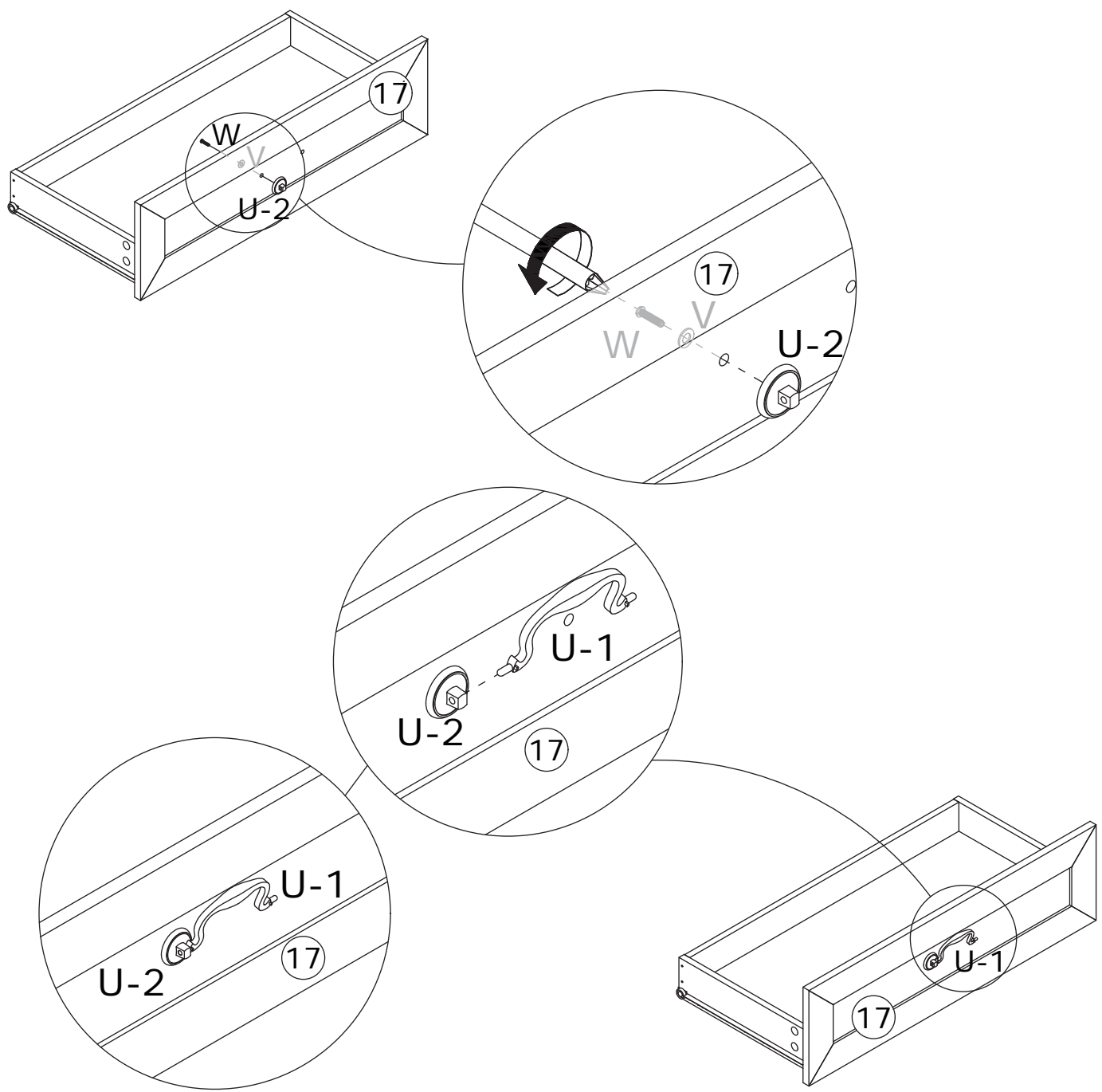
Secure the slide rail (F-DL) and (F-DR) to panels 18 and 19 using screws (G).



40

U x 1 U-1 U-2	V x 1	W x 1 CRE0408A	
---------------------	-------	-------------------	---

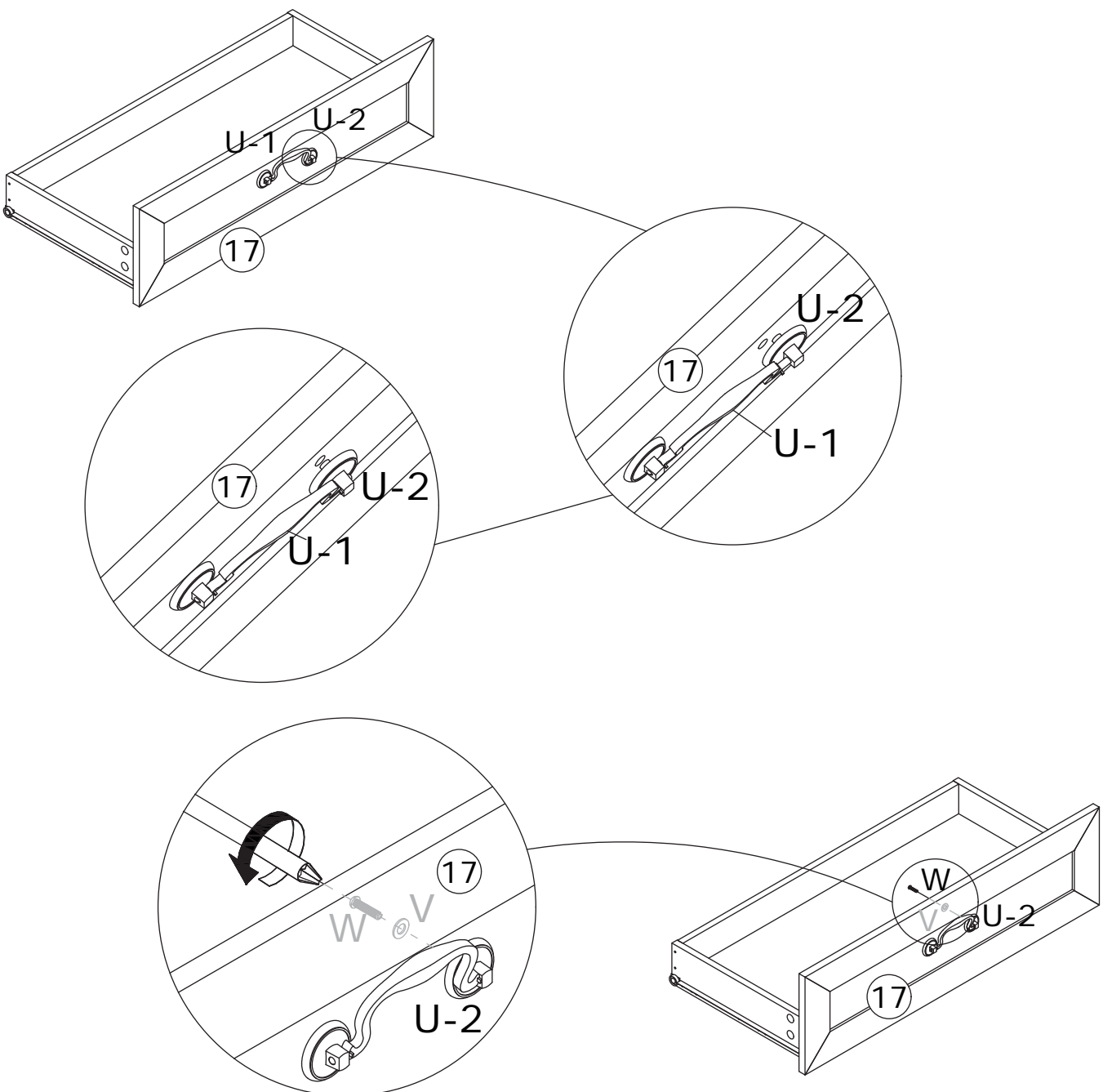
Secure part (U-2) to panel 17 using screws (W) through washer (V), then insert pull (U-1) into part (U-2).



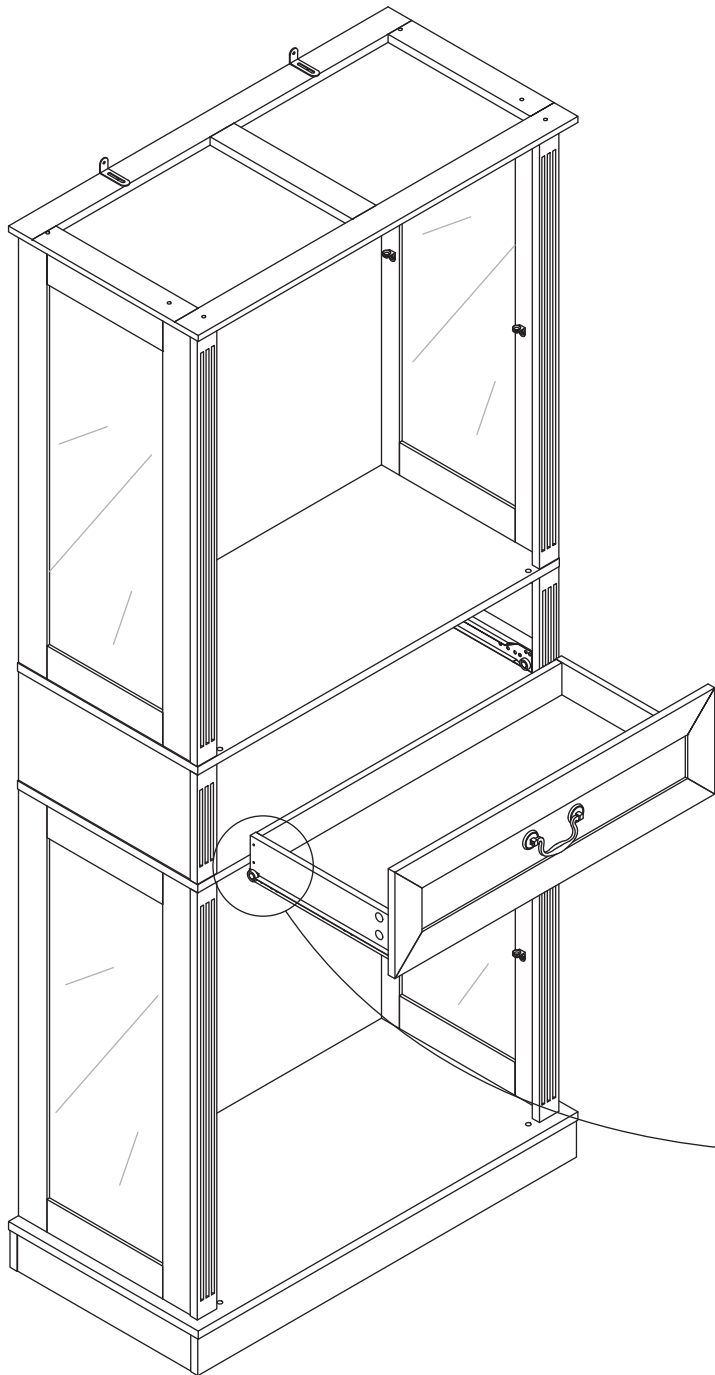
41

U x 1  U-2	V x 1 	W x 1  CRE0408A	
---	--	--	---

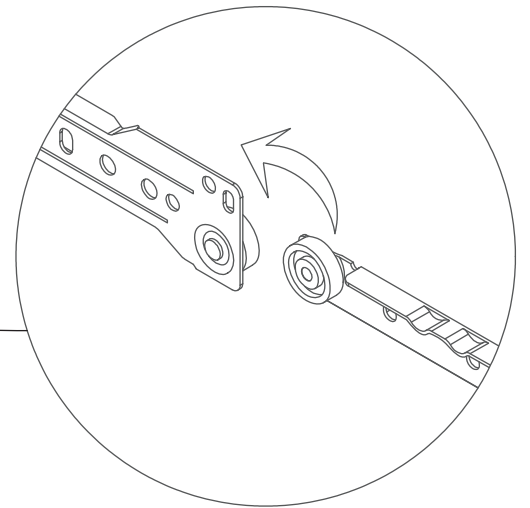
Insert part (U-2) into pull (U-1).
Secure part (U-2) to panel 17 using screw (W) through washer (V).

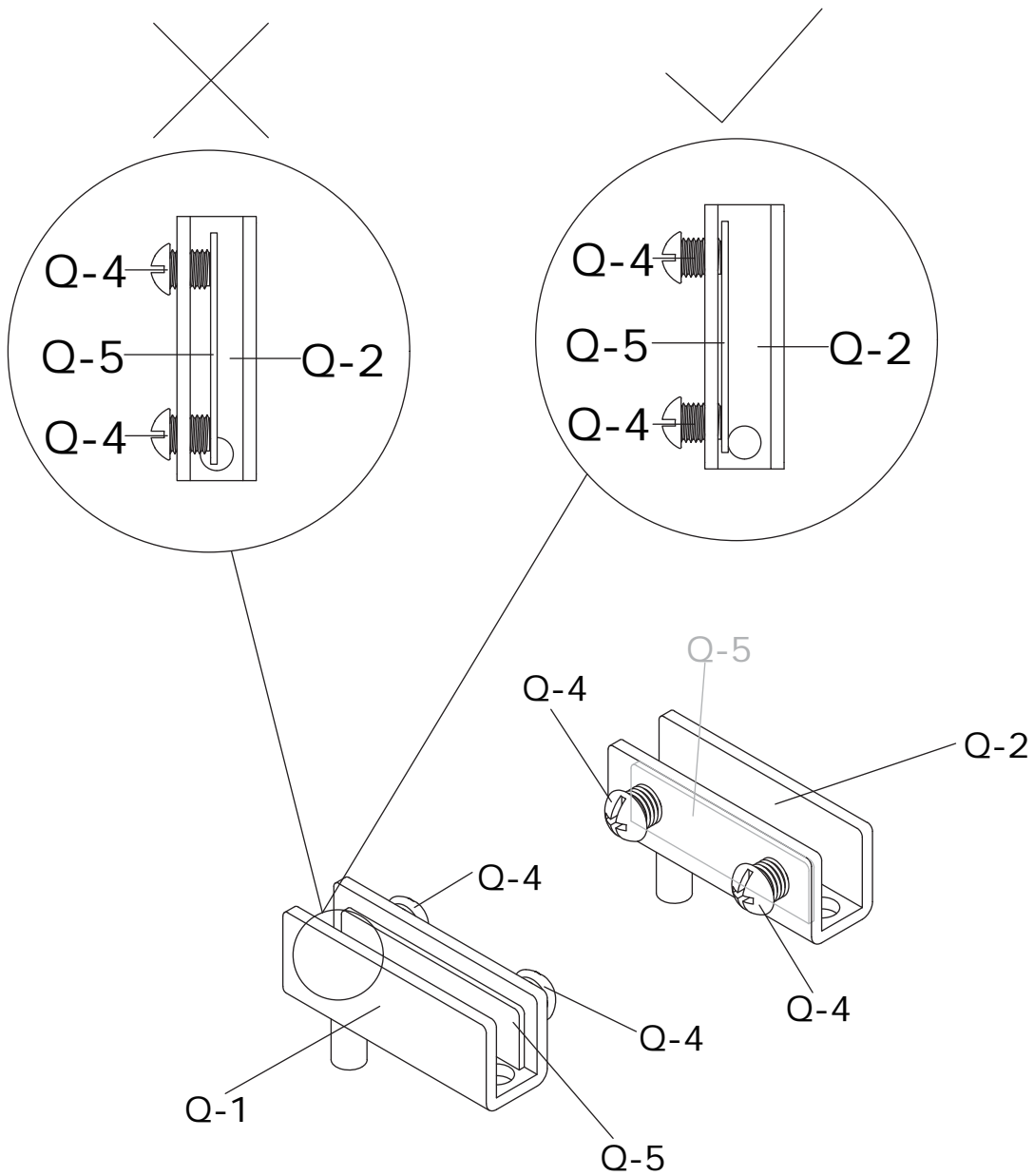


42

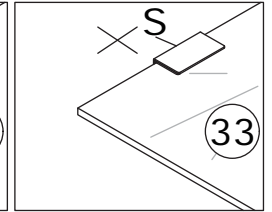
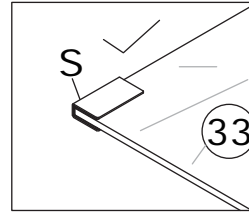
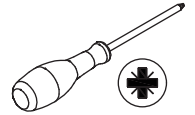
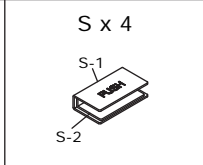
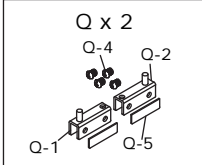


Install the drawer.



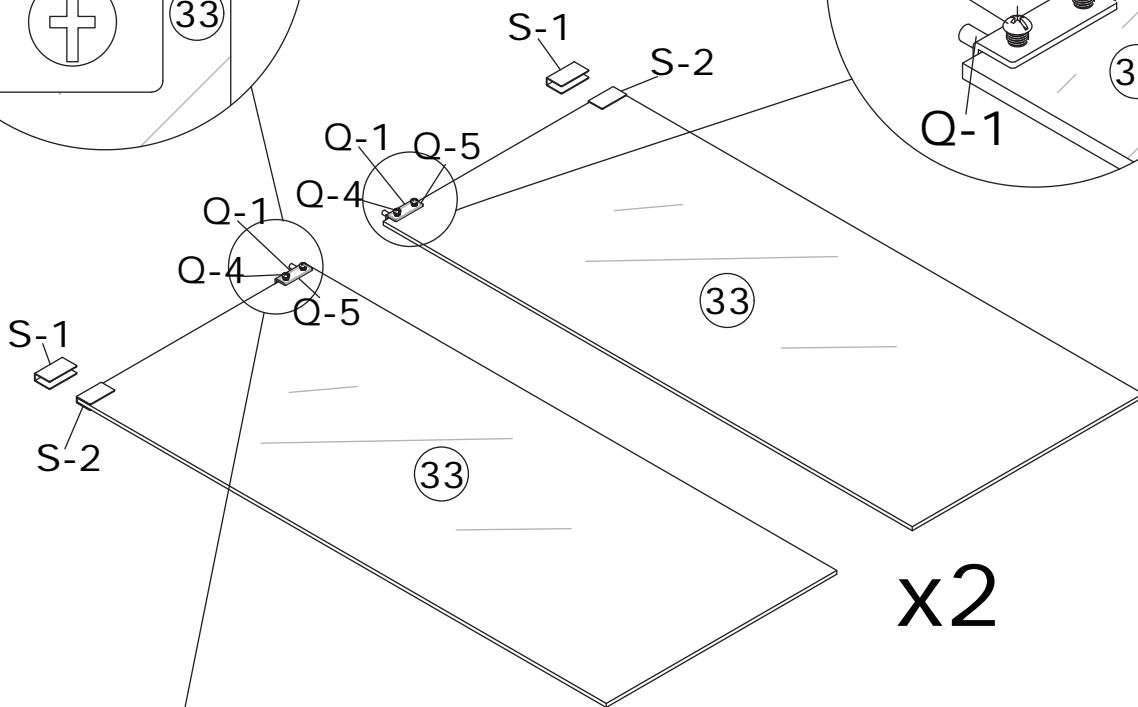
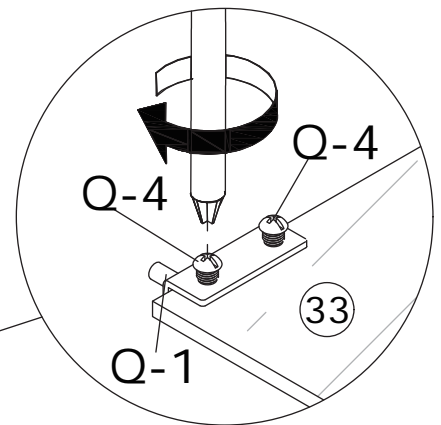
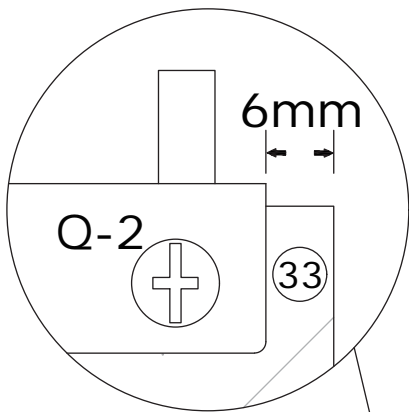


44

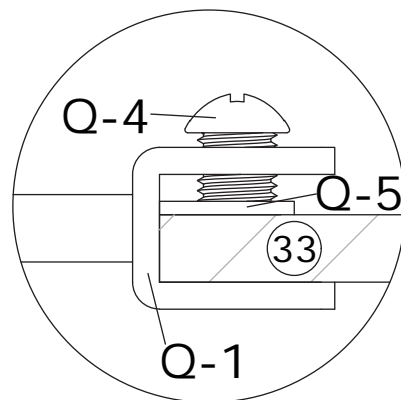
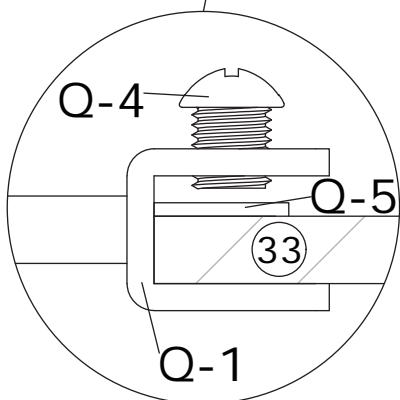


Attach part (Q-1) and (Q-5) to glass door panel 33, secure them with screws (Q-4).

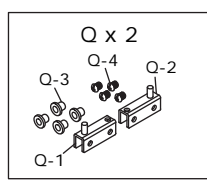
Attach part (S-1) and (S-2) to glass door panel 33.



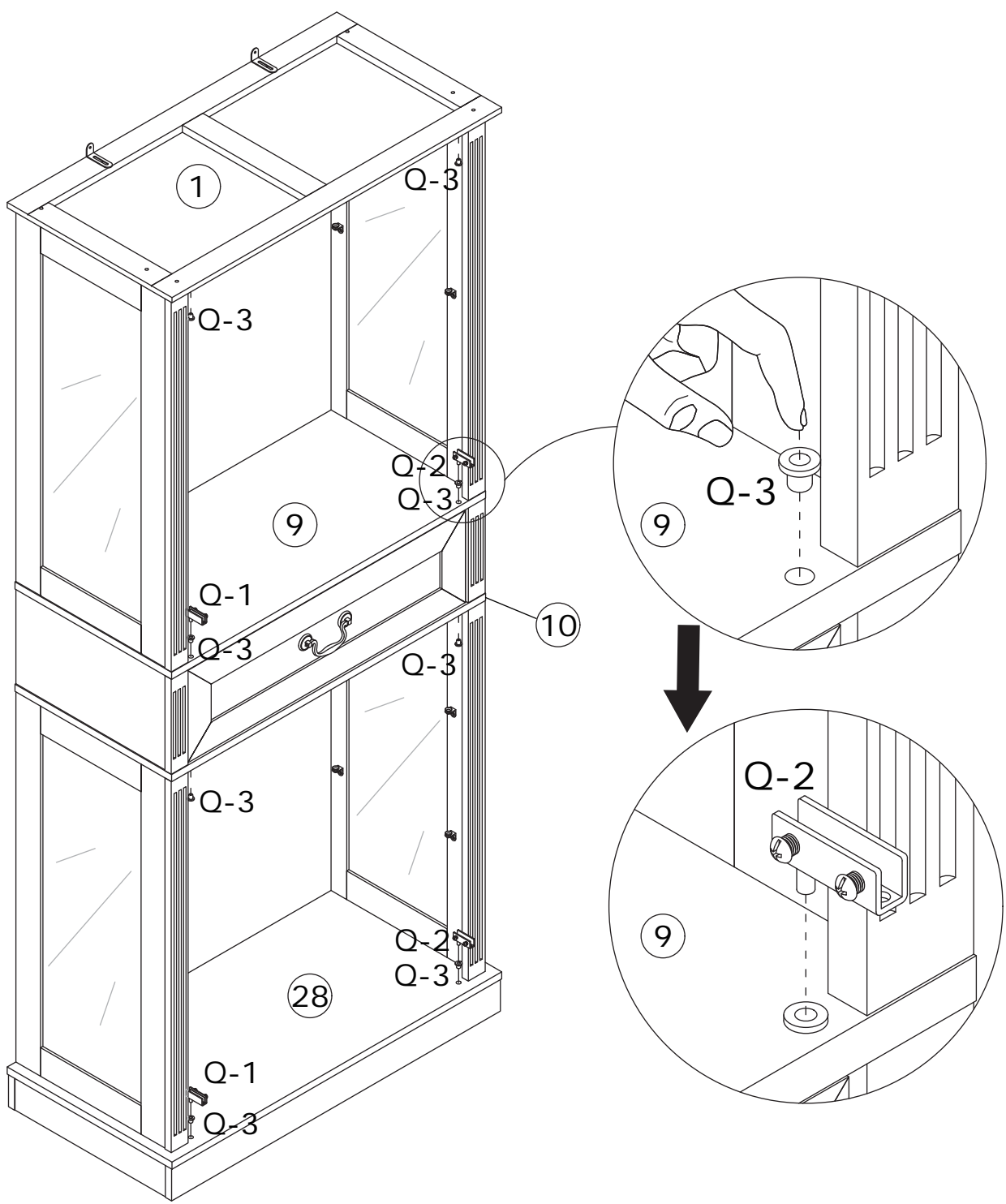
x2



45

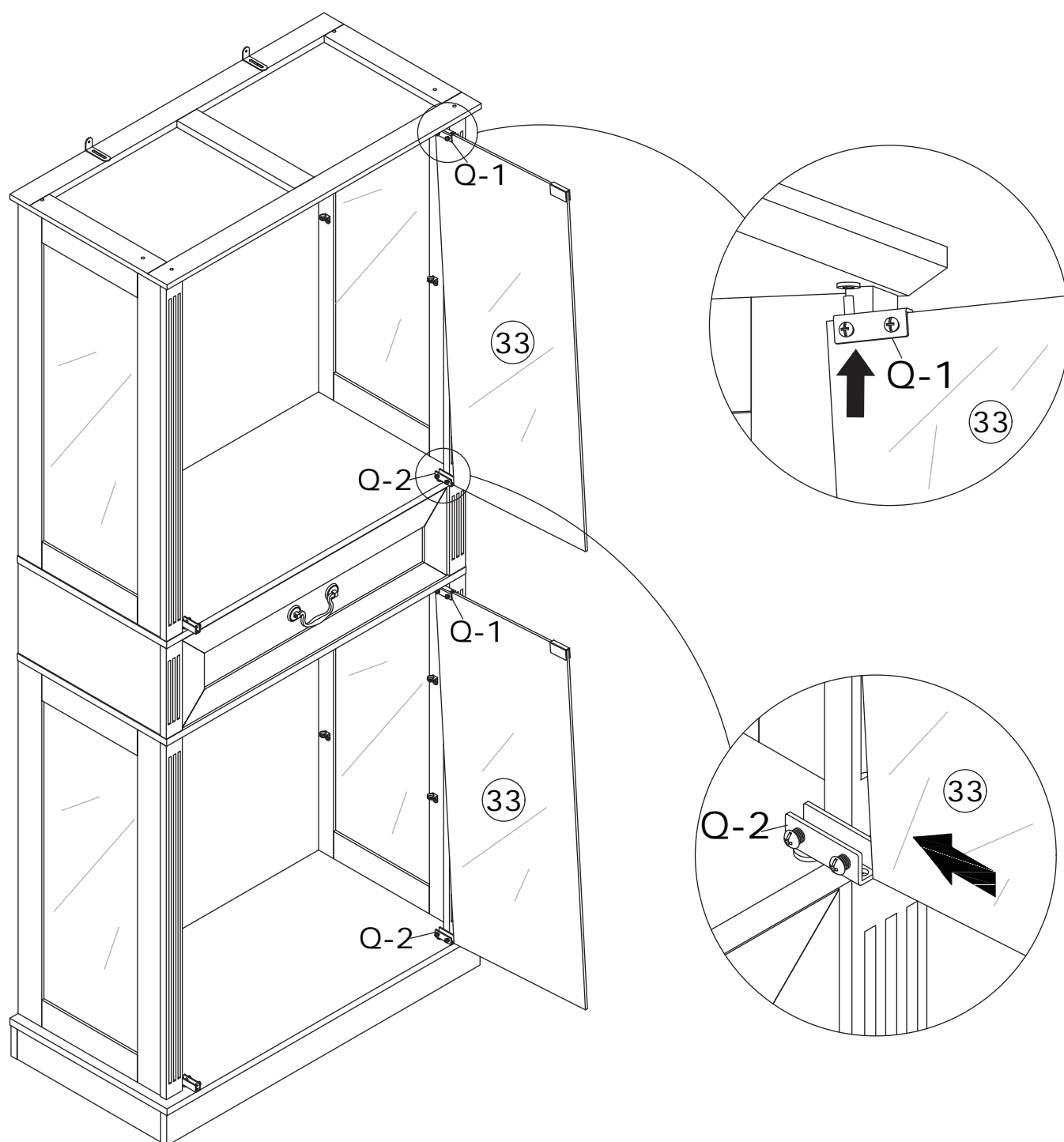


Insert part (Q-3) into panels 1, 9, 10, and 28.
Insert part (Q-1) and (Q-2) into part (Q-3).

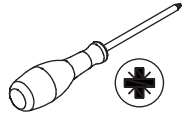
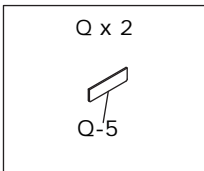


46

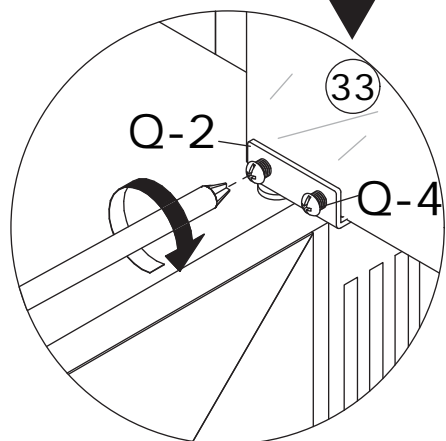
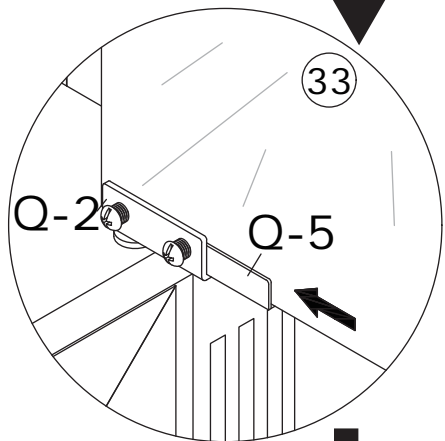
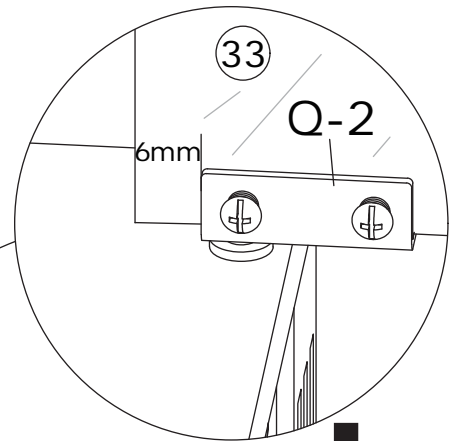
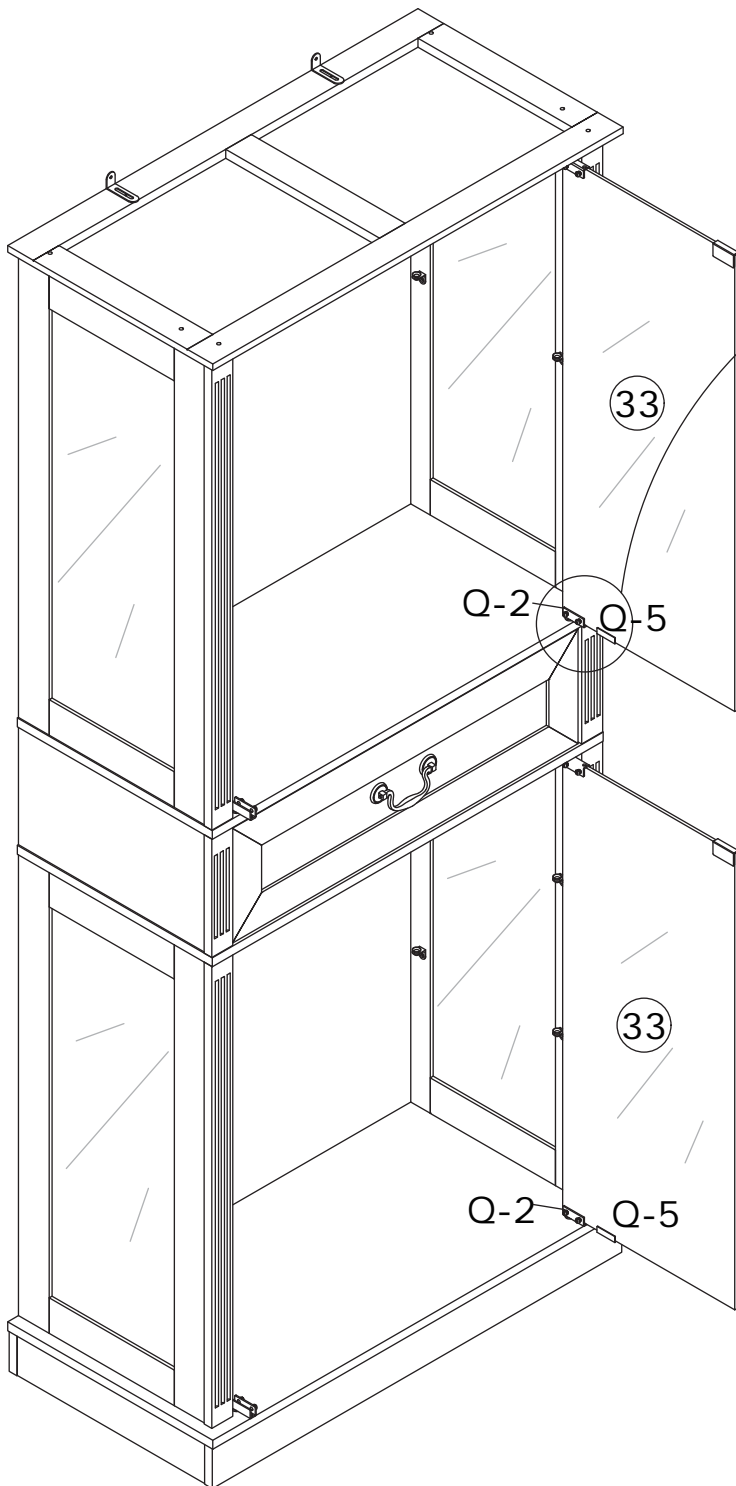
Tilt the glass door panel 33 to the appropriate angle and insert it into part (Q-3) first, then insert the bottom edge into part (Q-2).



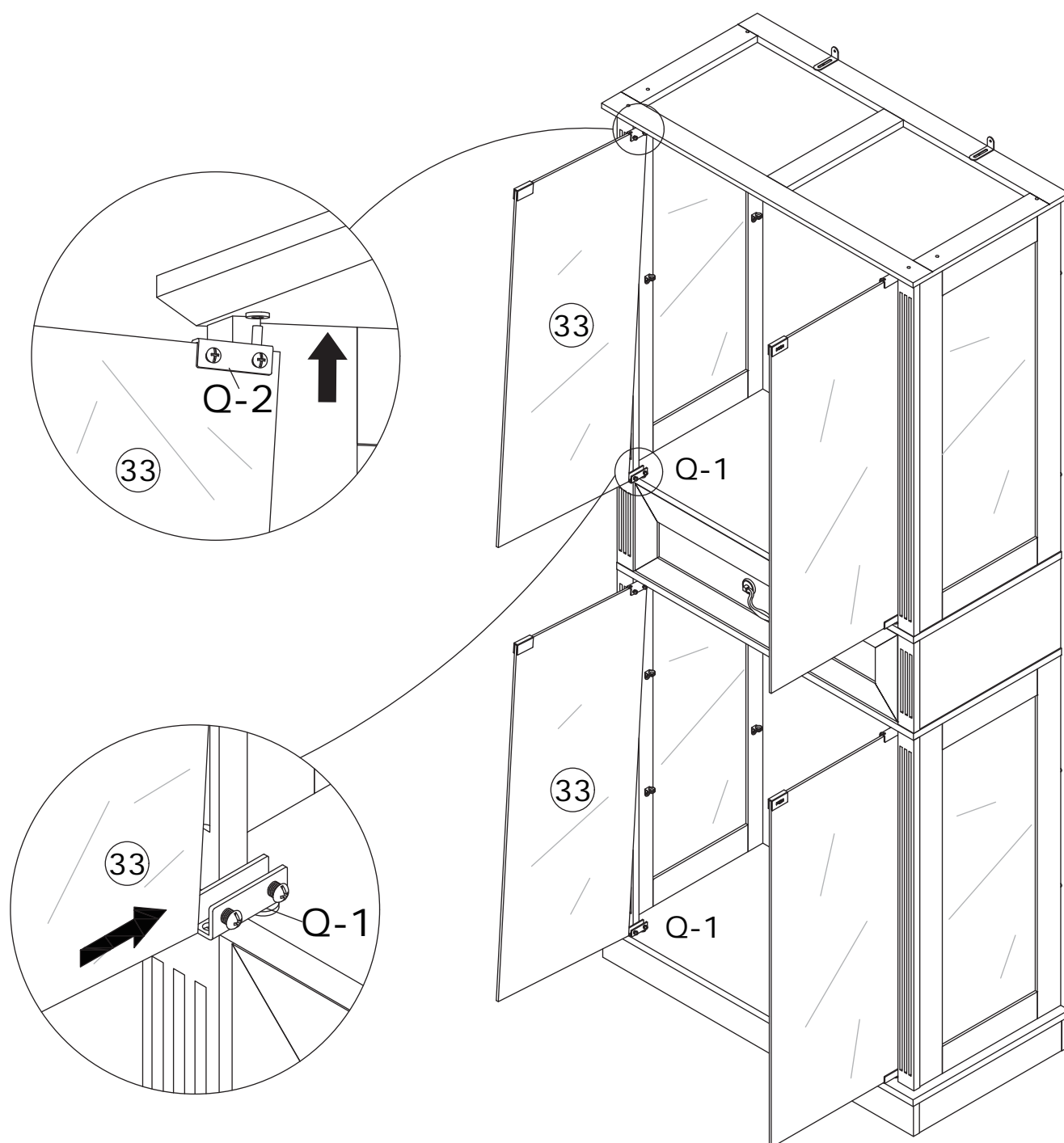
47



1. The distance between glass door panel 33 and part (Q-2) is 6mm.
2. Insert part (Q-5) into part (Q-2).
3. Tighten screw (Q-4).



Tilt the glass door panel 33 to the appropriate angle and insert it into part (Q-3), then insert the lower portion into part (Q-1).

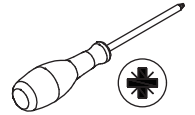


49

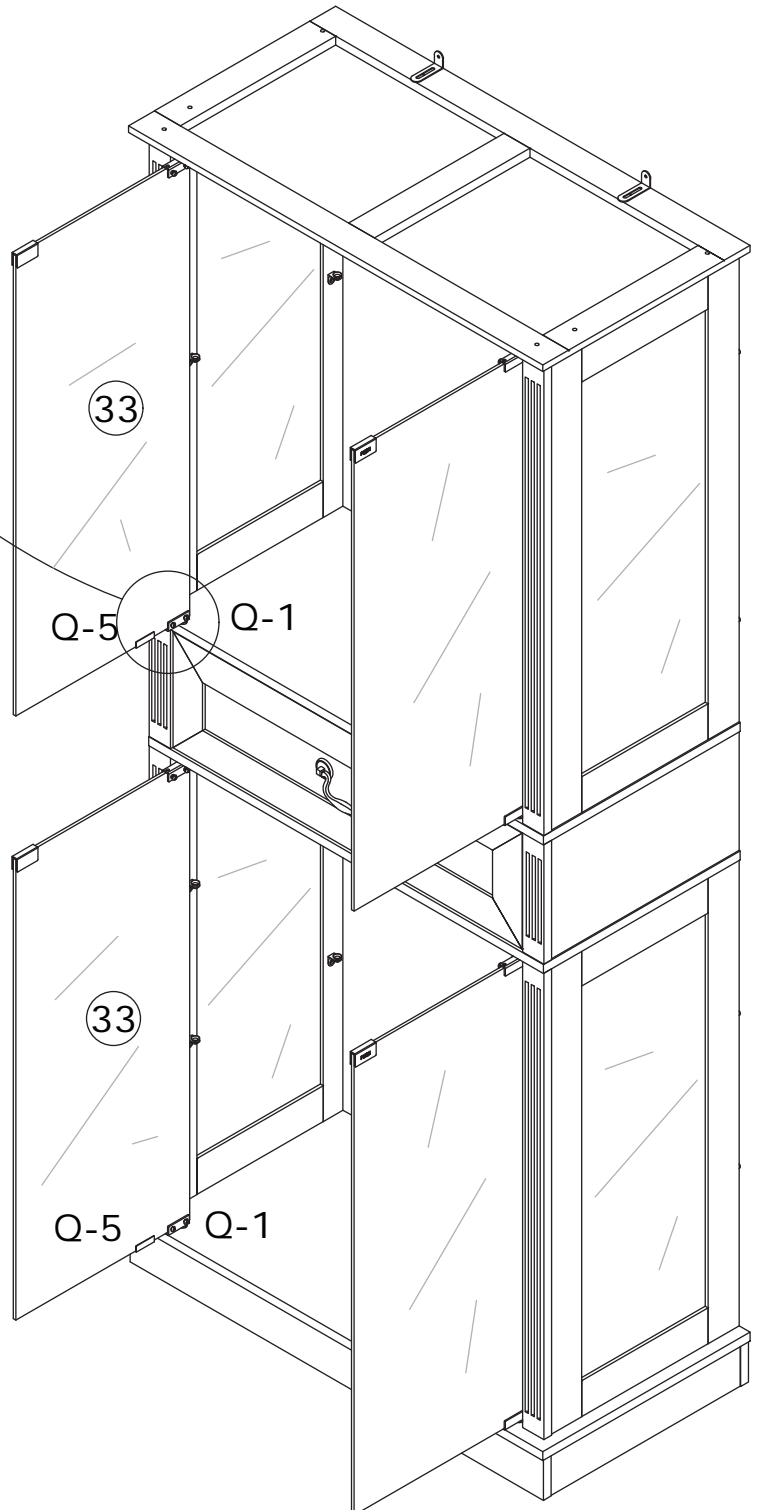
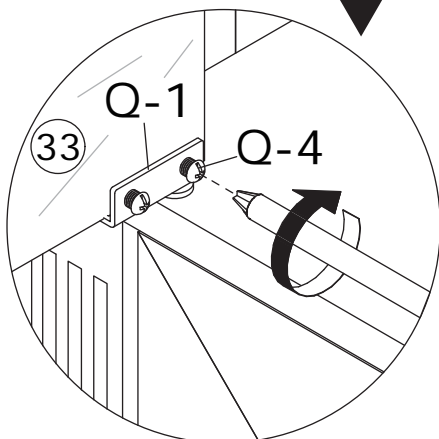
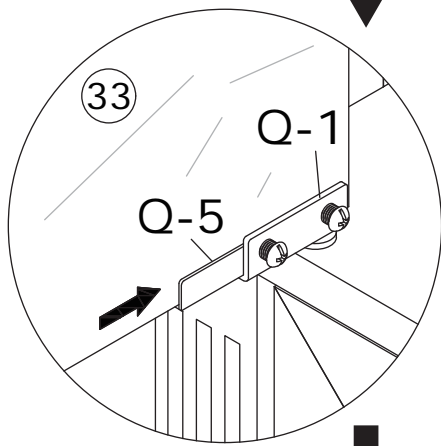
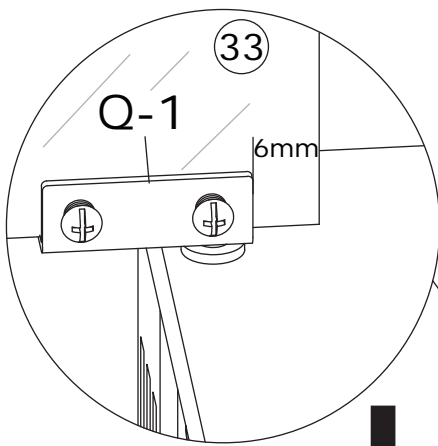
Q x 2



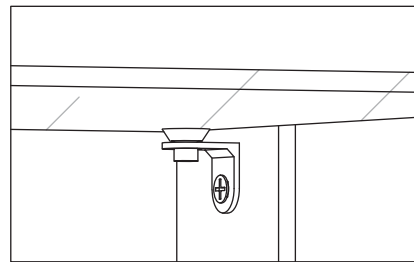
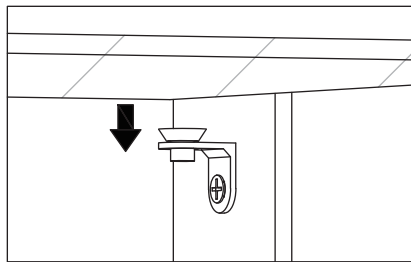
Q-5



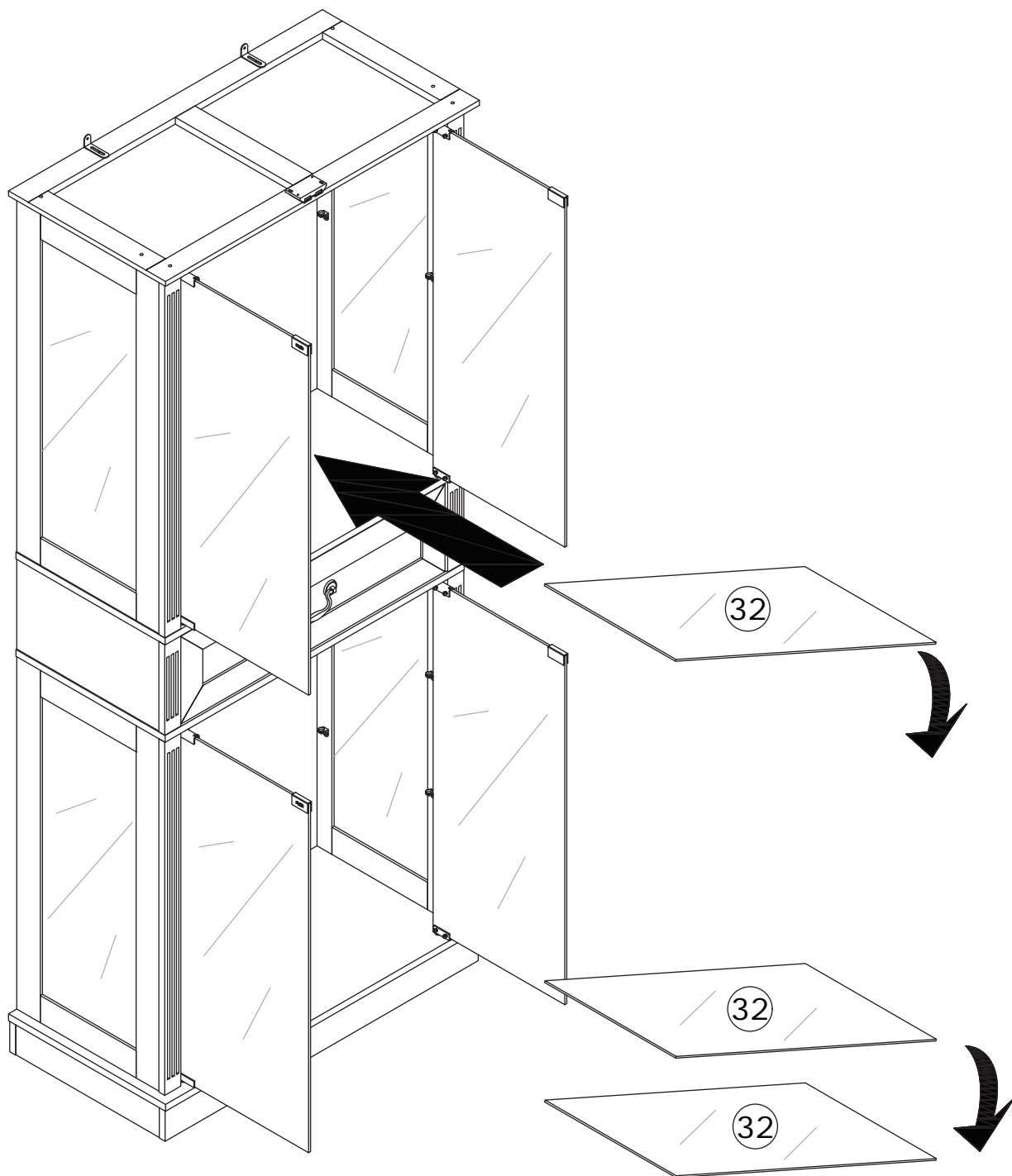
1. The distance between glass door panel 33 and part (Q-1) is 6mm.
2. Insert part (Q-5) into part (Q-1).
3. Tighten screw (Q-4).



50

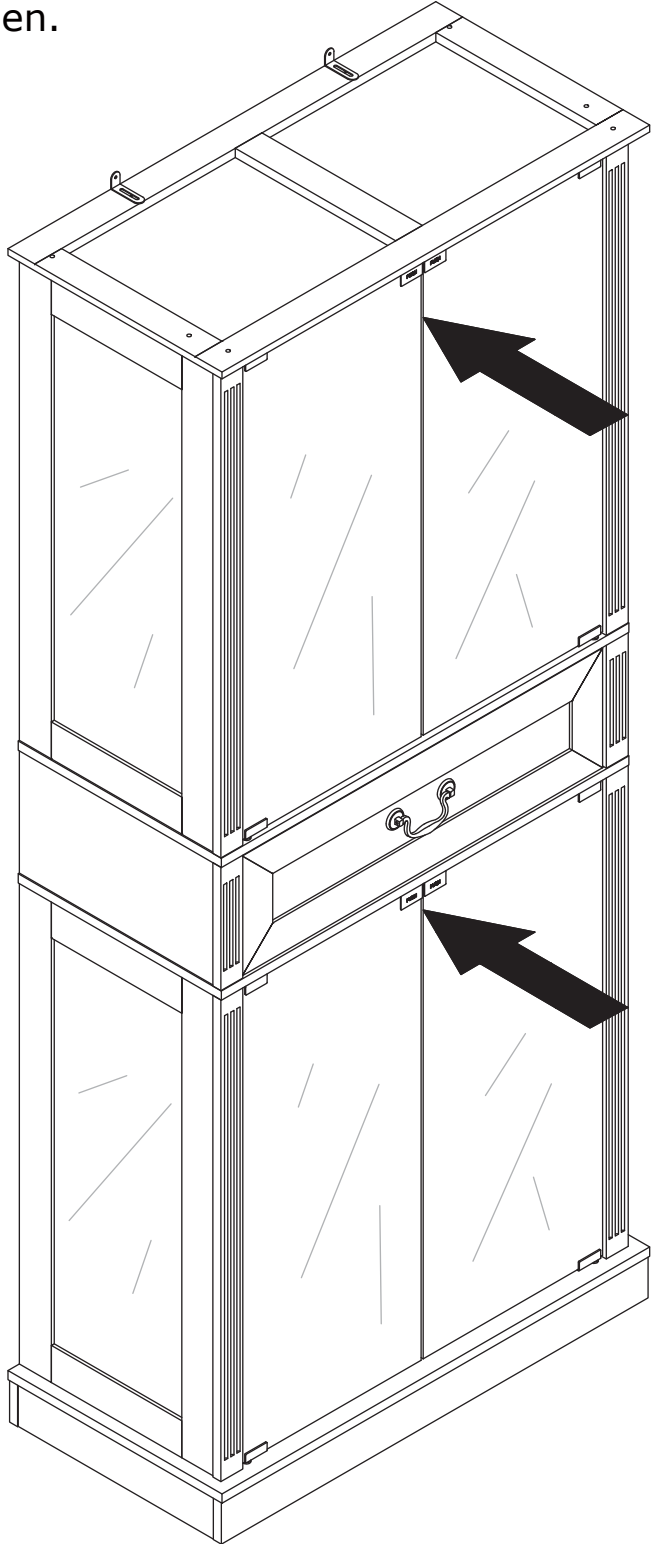


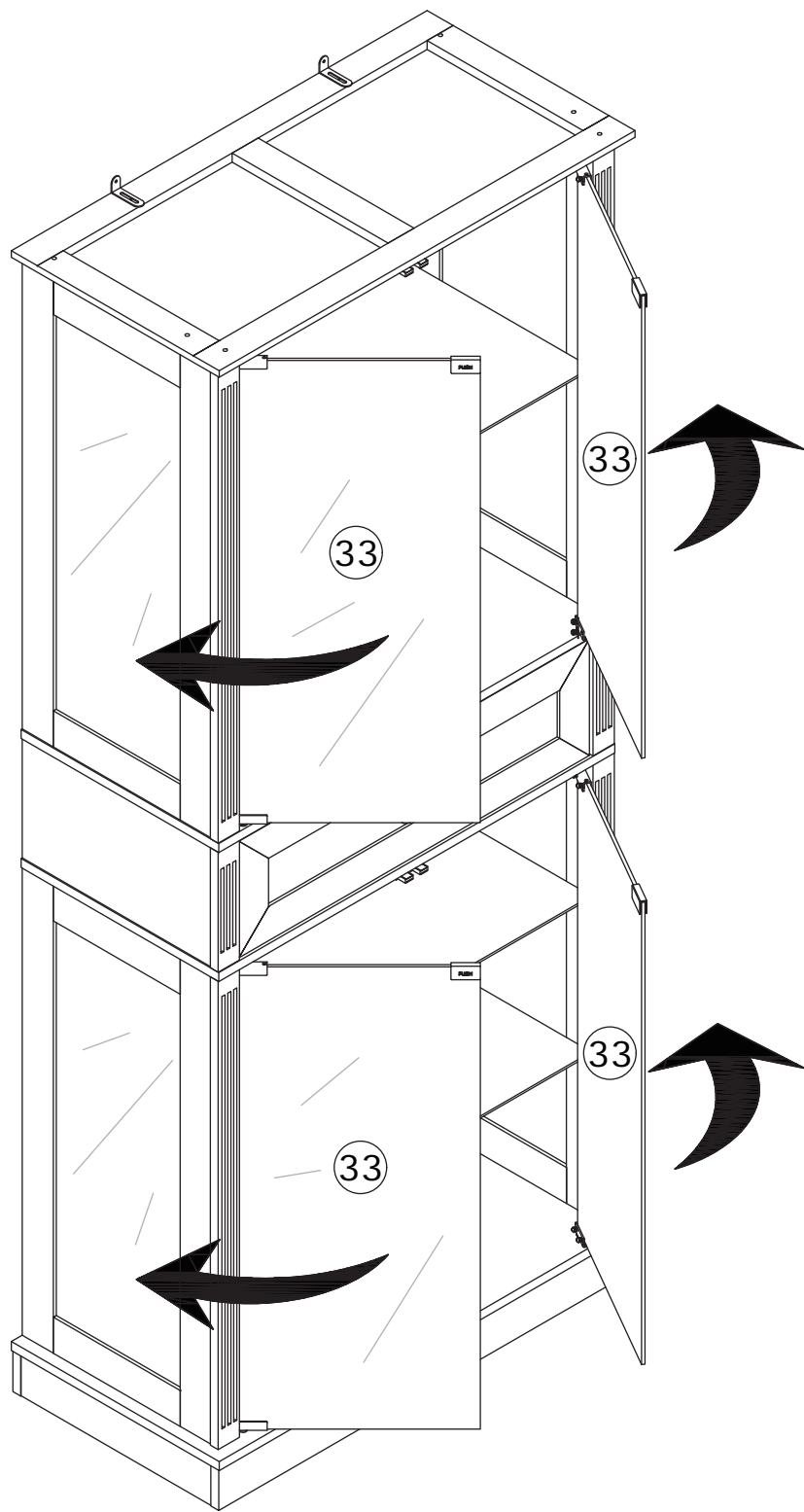
Place the glass shelf 32 into the cabinet body.



51

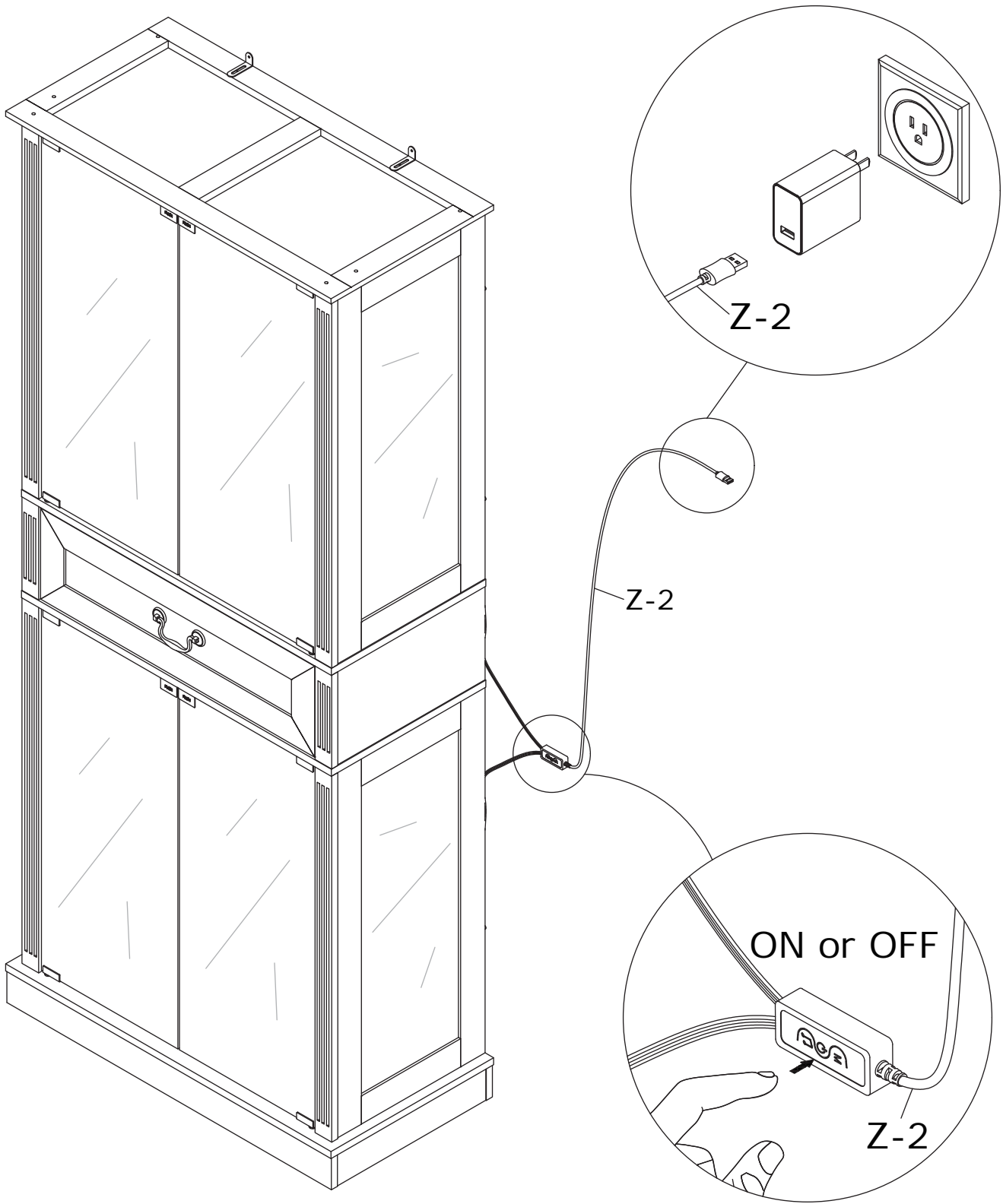
Press to open.





53

You will need a power adapter with a voltage greater than 5V and a power rating greater than 22.5W. After connecting the power source, turn on the switch.



WARRANTY

WARRANTY CLAIMS

- There is a 30-day warranty for broken furniture or any other problems that do not work properly. The warranty will start from the date of purchase which must be verified by proof of purchase.
- Before making a claim, we may be able to answer your query, simply call us. Please leave your purchase order number, along with some details of the problem, if you want a replacement part. We will arrange within 48 hours. If there is out of stock, we will reply with a shipping date.
- The product must be used in accordance with the instructions provided. For health reasons.
- For other reasons, if the furniture needs to be returned, it must be cleaned and dried and operated within 30 days of receipt.

Type of Warranty Claim

- Failure to follow the furniture instructions will invalidate the warranty. Attention please.
- Does not include damage during installation, but includes damage during transportation.

Scope of responsibility

- Shall not bear any responsibility for misuse or user damage and / or loss of parts during the installation of furniture.
- After using, the damage and scratches of the furniture are not covered by the warranty.

The Warranty Relates to All Bought in The Us and Covers The Following Areas

- Sheet parts: 1 month from the date of purchase.
- Electrical parts: 1 month from the date of purchase.

RETURNS

CHANGED YOUR MIND AND NEED TO RETURN YOU ITEM?

PLEASE FOLLOW THE BELOW INSTRUCTIONS:

- If you have purchased and have simply changed your mind, follow the retailer's instructions for returns.

DEFECTIVE ITEMS

- If your item is defective in any way, i.e. it doesn't work but you can't identify why, in the first instance, please call us.

DAMAGED ITEMS

- If you receive an order with obvious shipping damage from the retailer, then we suggest the delivery is refused. If the delivery has been accepted and then shipping damage is found, please follow the specific instructions advised by the retailer.
In all circumstances please save all packaging material and paperwork for the order. Please be aware that if you dispose of packaging material or attempt to return the merchandise without contacting the fulfiller, you jeopardise your chances of making a claim, and you may not receive a credit for the return.