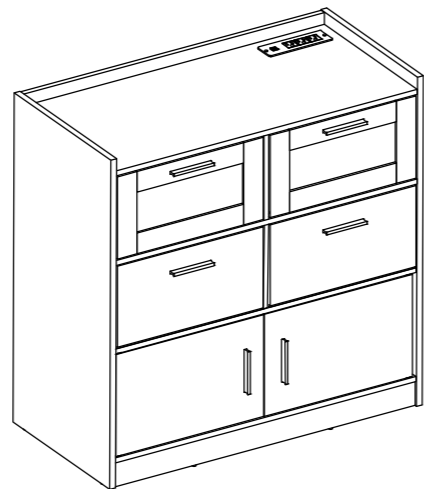
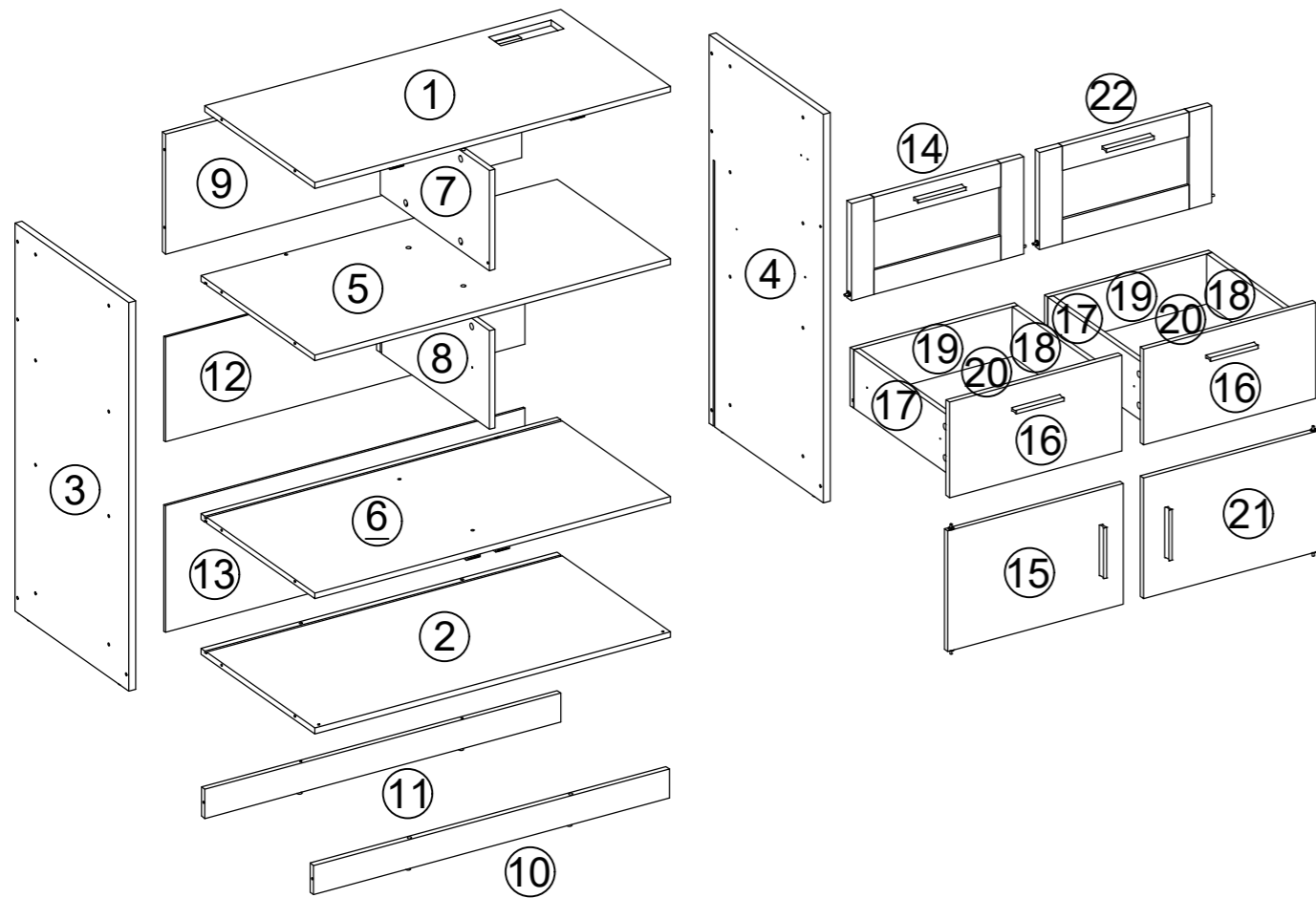


Dresser Cabinet

Dimension: 80*40*80cm

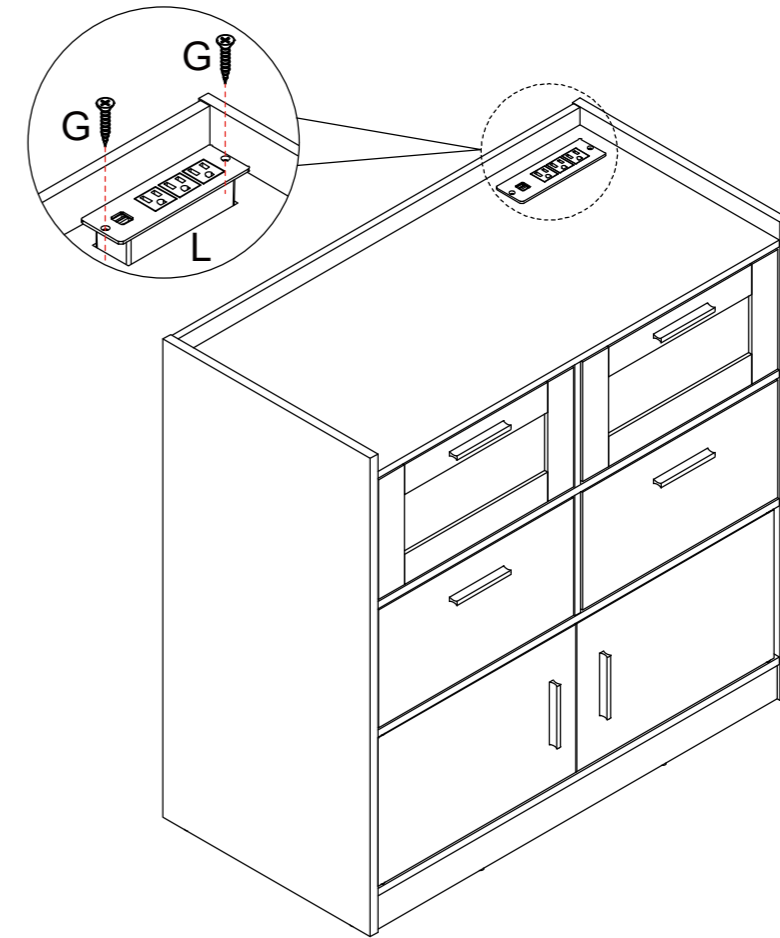


Item Description: Dresser Cabinet
Dimension: 80*40*80cm



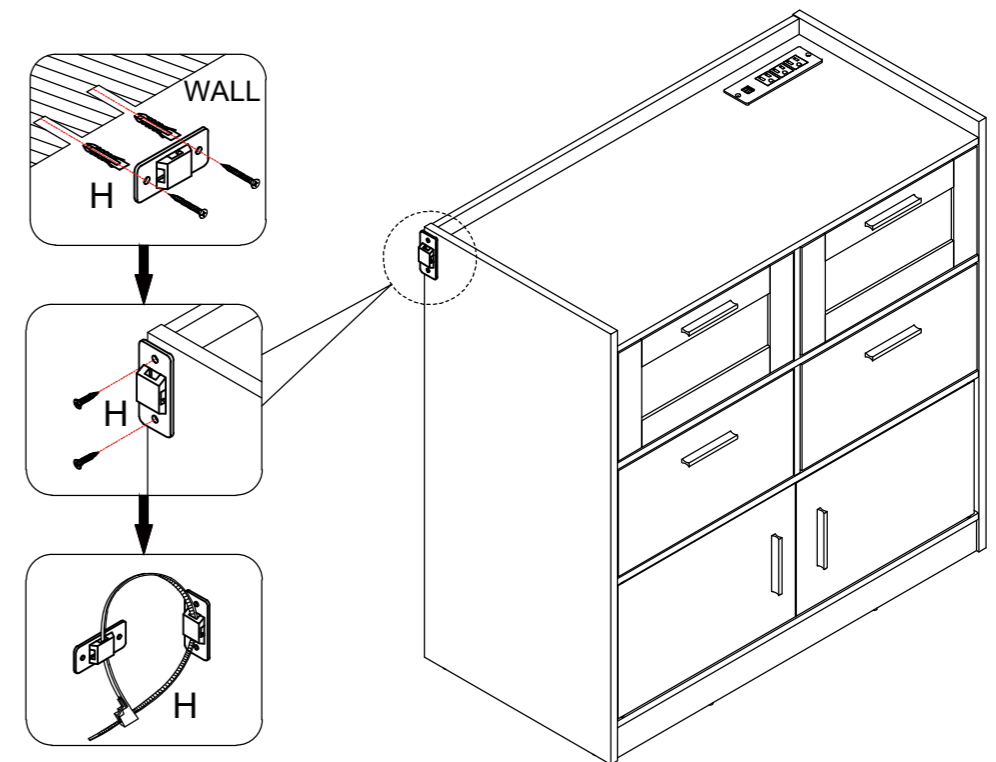
29

LX1 GX2

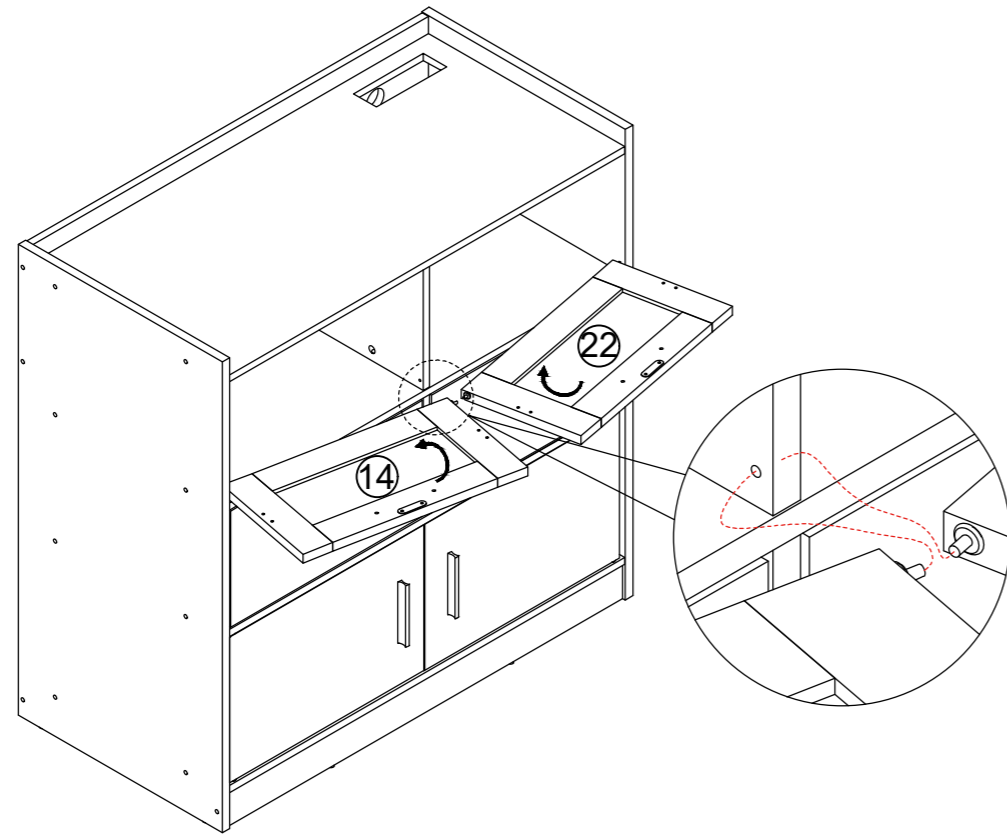


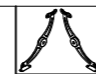
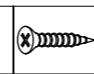
30

HX1

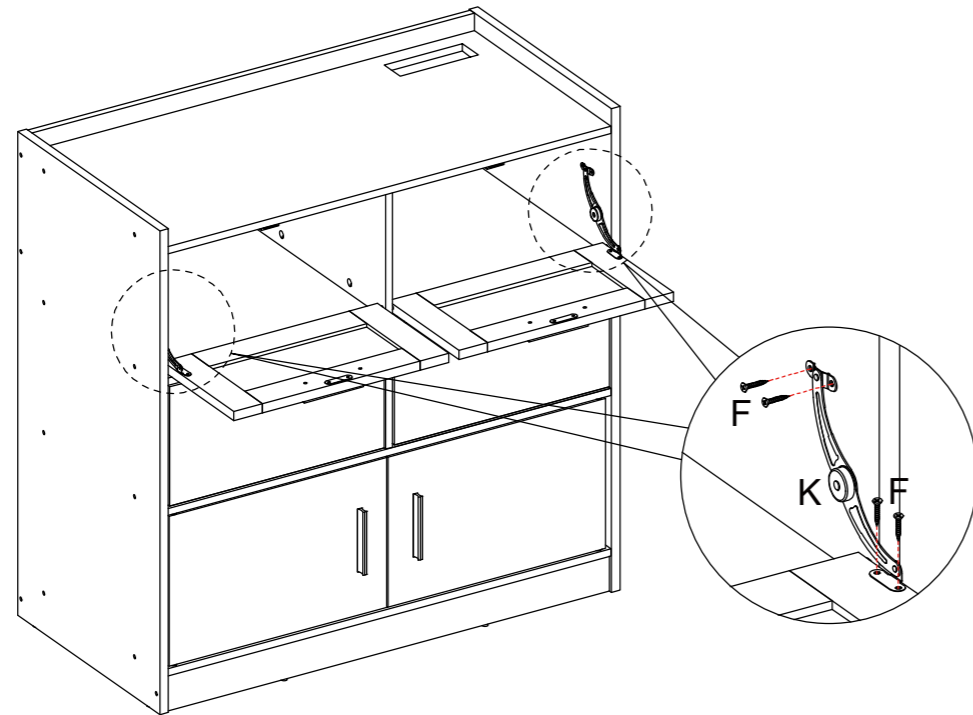


27

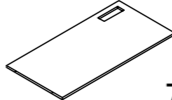

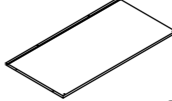
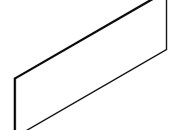
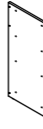
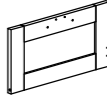
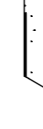

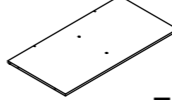
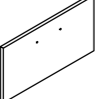
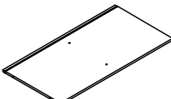

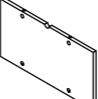

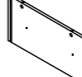
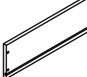


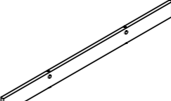

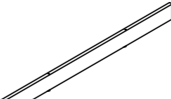
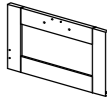


 KX1  FX8

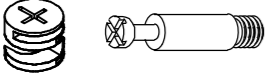
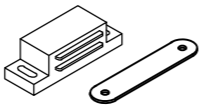
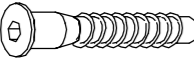
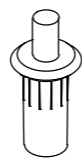



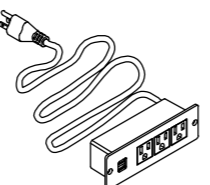
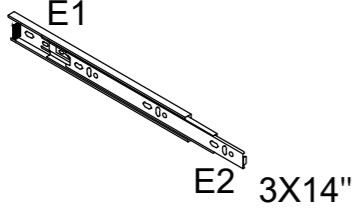
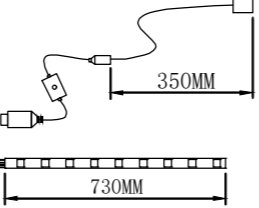

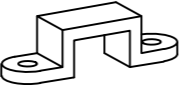
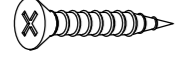
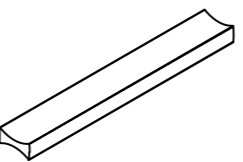
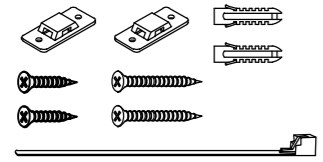

28

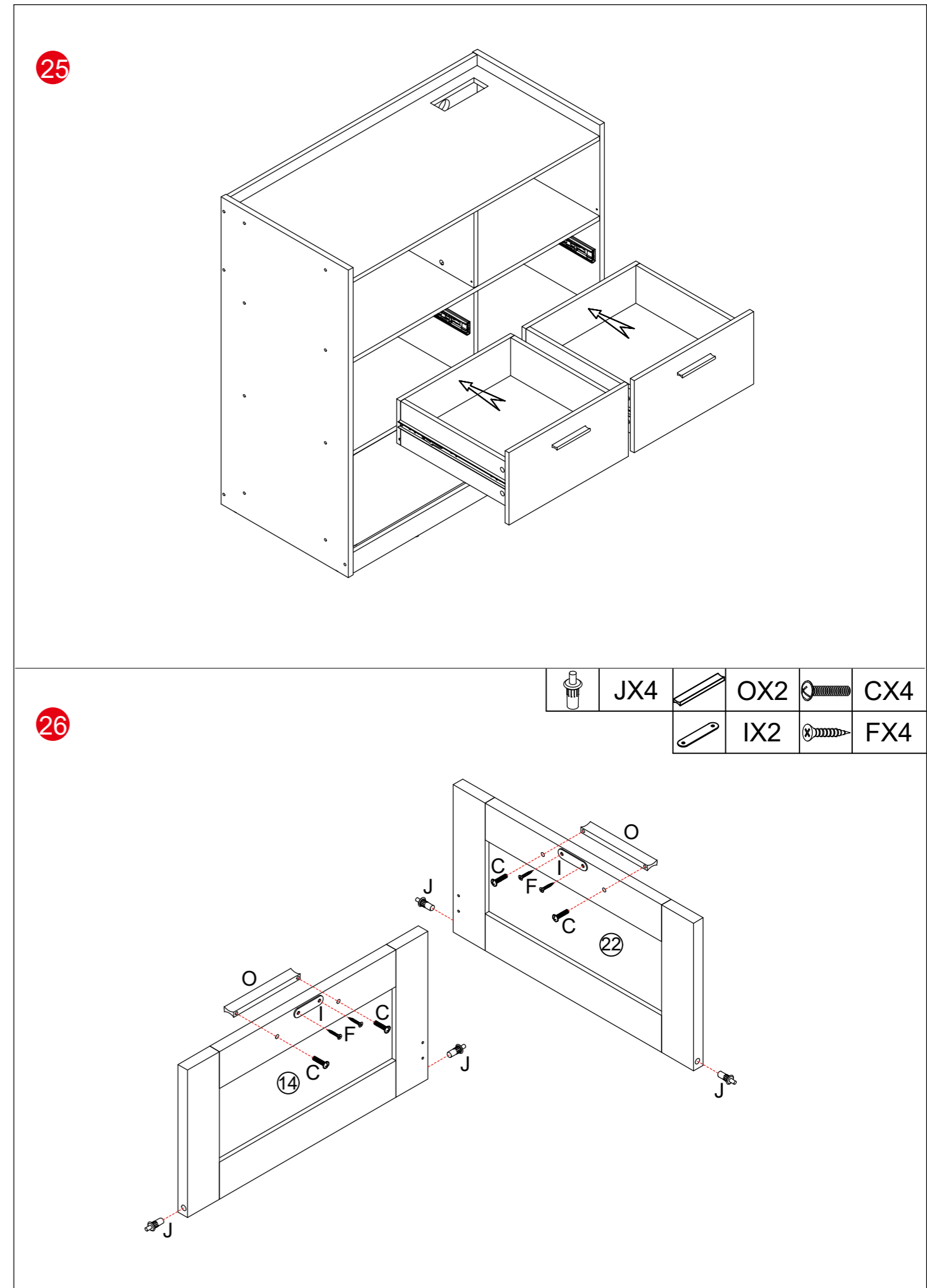


Components

1	 776*385*12	1	12	 784*210*4.5	1
2	 776*398*12	1	13	 784*260*4.5	1
3	 800*400*12	1	14	 376*200*15	1
4	 800*400*12	1	15	 383*247*12	1
5	 776*398*12	1	16	 376*197*12	2
6	 776*398*12	1	17	 338*120*12	2
7	 206*384*12	1	18	 338*120*12	2
8	 203*377*12	1	19	 358*120*12	2
9	 776*247*12	1	20	 342*346*4.5	2
10	 776*60*12	1	21	 383*247*12	1
11	 776*60*12	1	22	 376*200*15	1

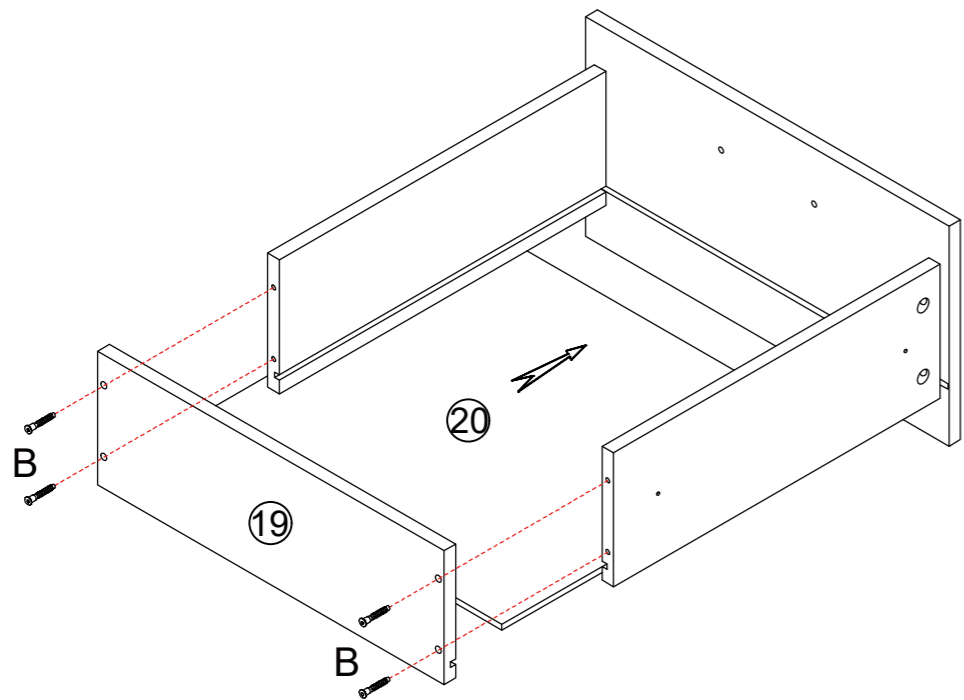
Screws&Tools

A	 M6X25	16	I		4
B	 5X40	40	J		8
C	 M4X18	4	K		1
D	 M4X14	8	L		1
E	 E1 E2 3X14"	4	M	 350MM 730MM	1
F	 ST3.5X12	40	N		4
G	 ST3.5X14	10	O	 96MM	6
H		1			



23

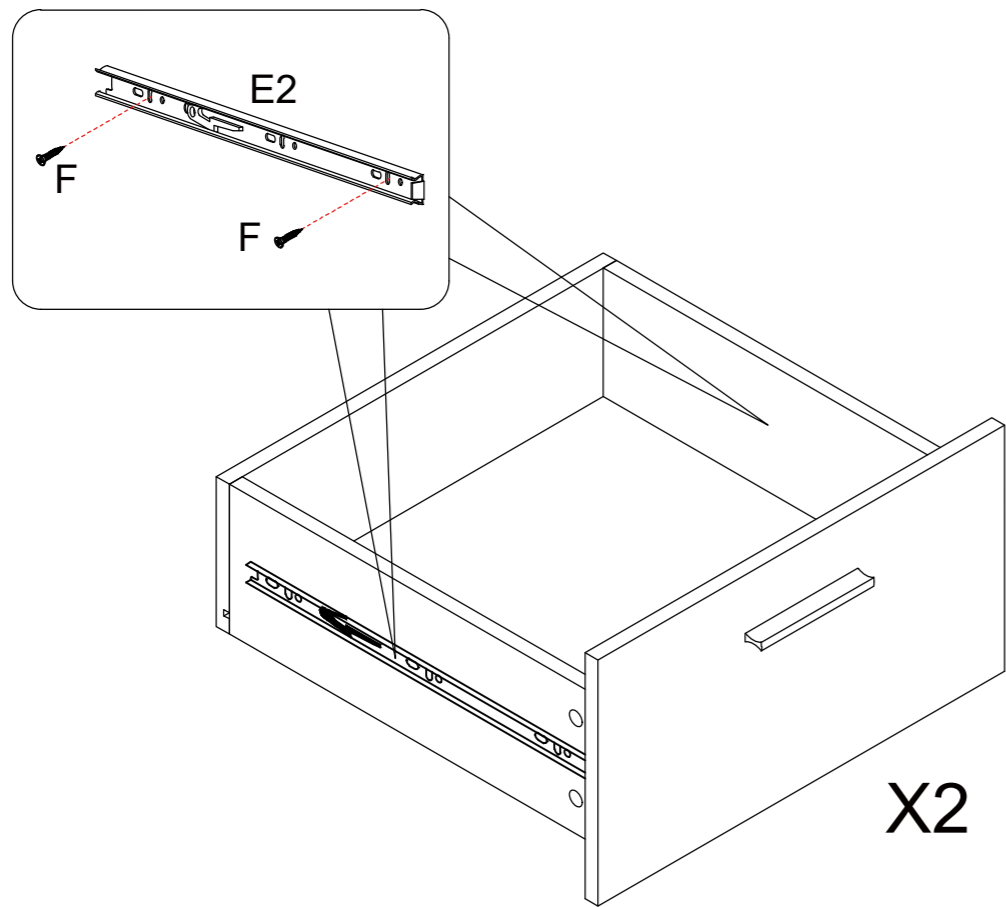
BX8



X2

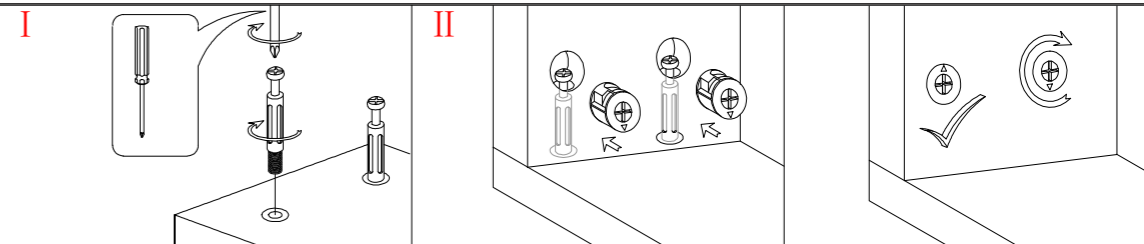
24

EX4 FX8



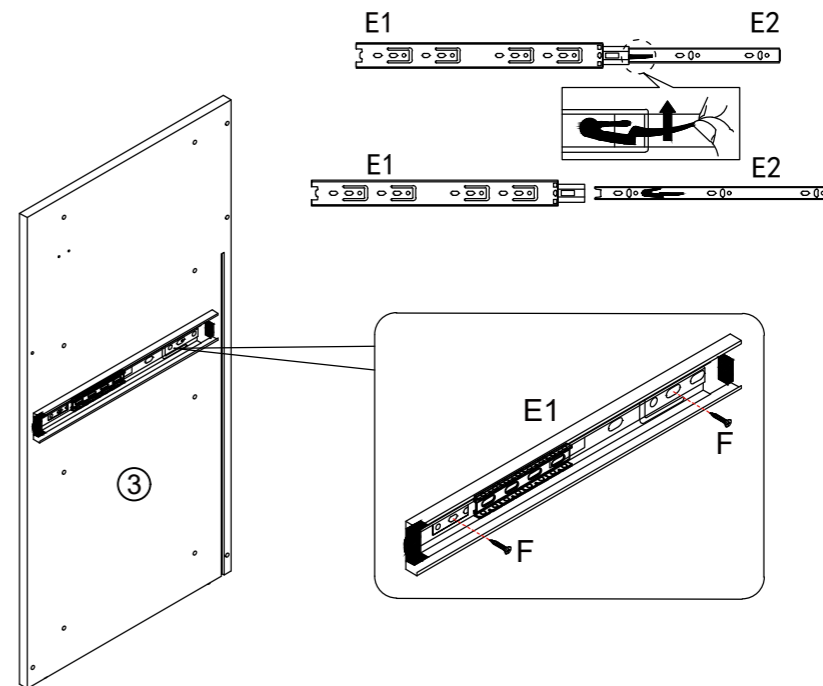
X2

"A&B" Hardware Assembly example



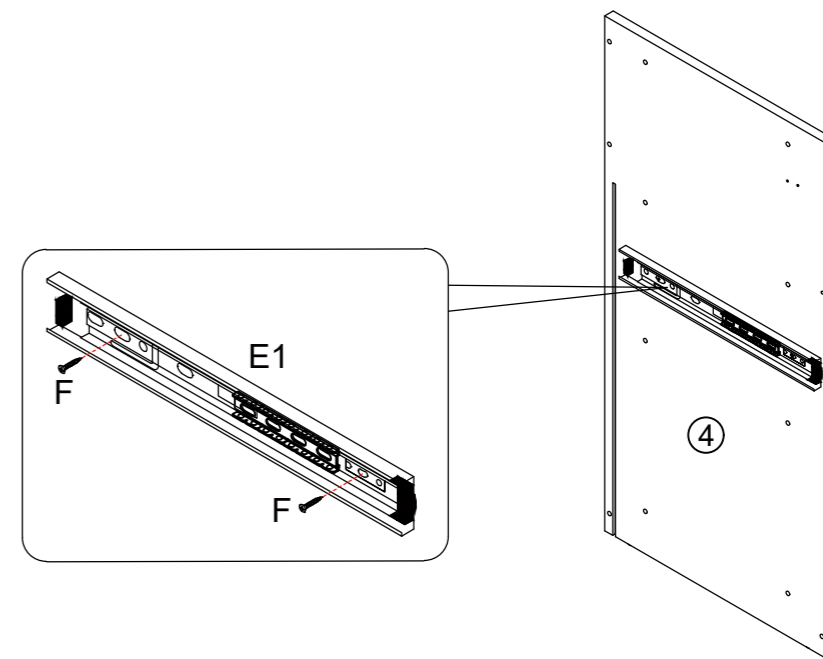
1

EX1 FX2


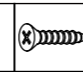


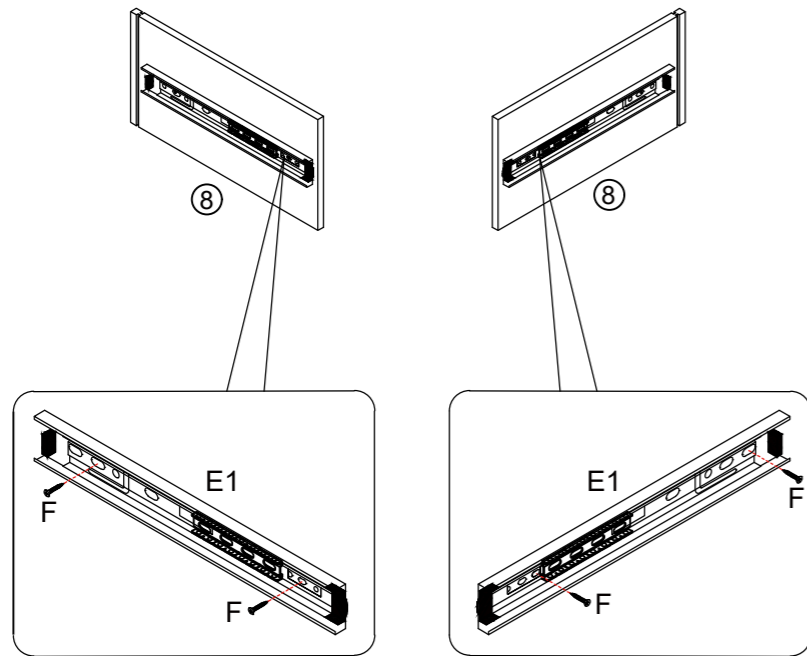
2

EX1 FX2

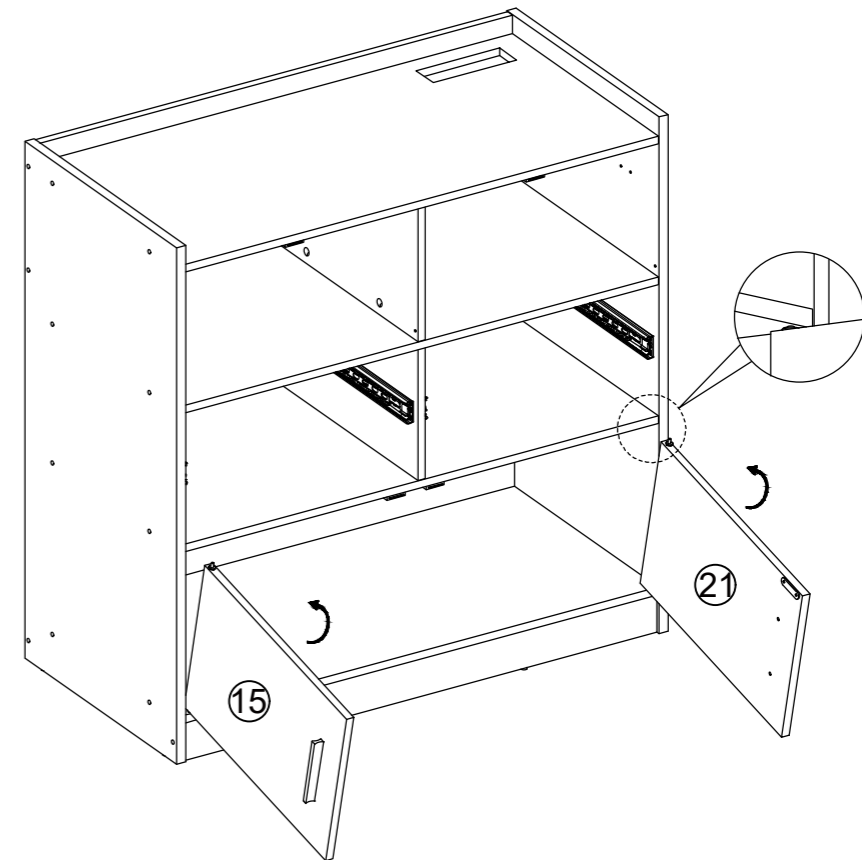


3


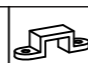
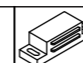
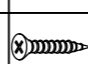

	EX2		FX4
--	-----	--	-----

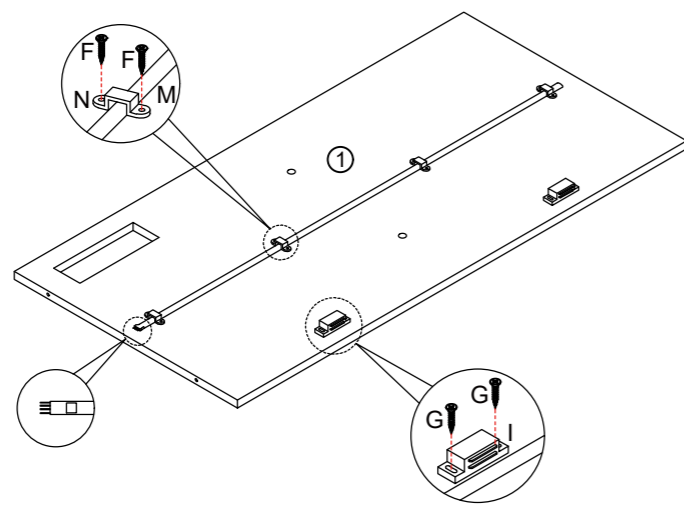


21

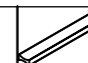
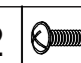
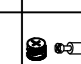


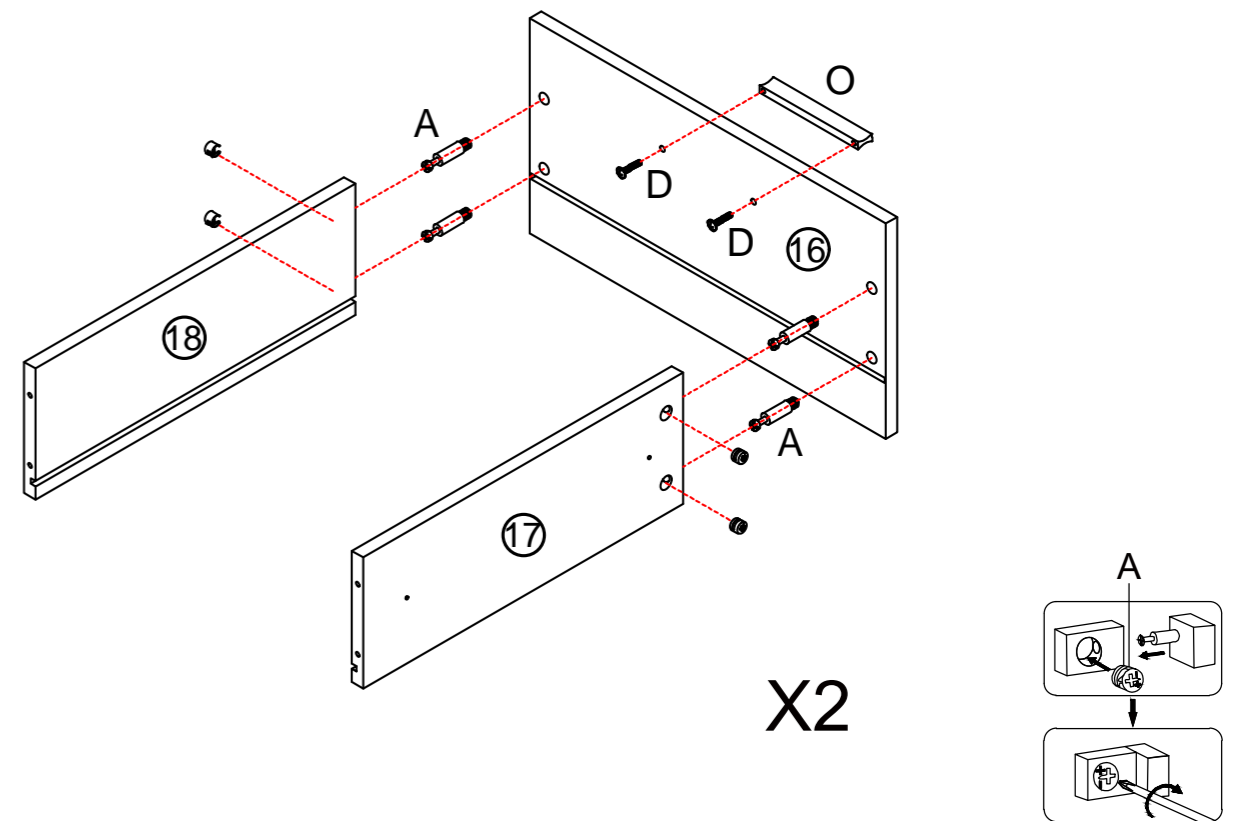
4

	MX1		NX4		IX2
	FX8		GX4		



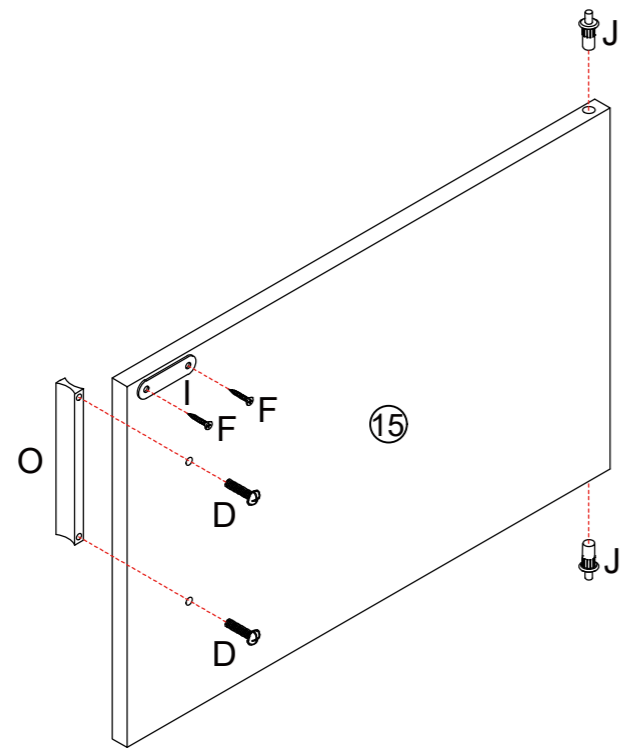
22

	OX2		DX4
			AX8



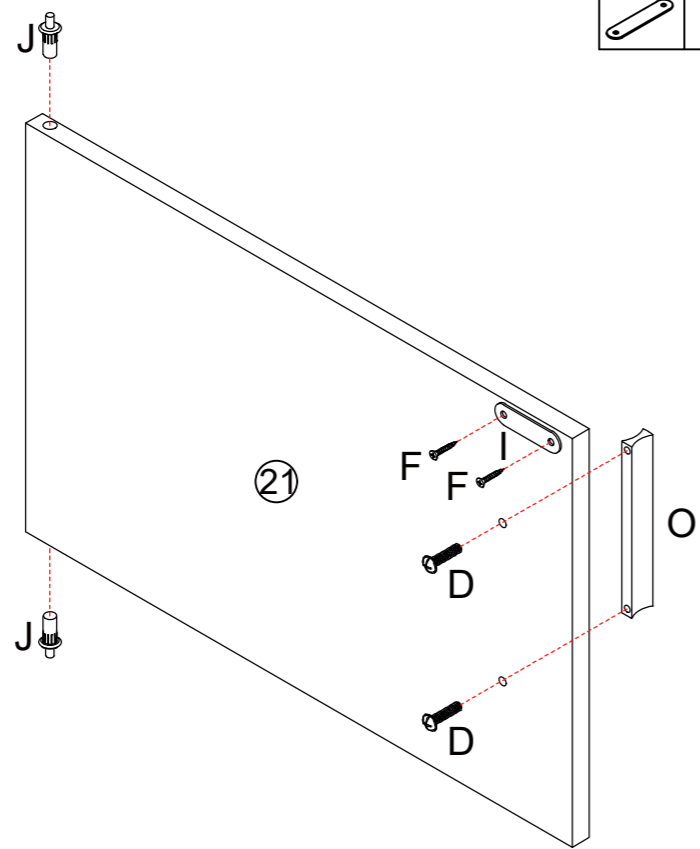
19

	JX2		OX1		DX2
	IX1		FX2		



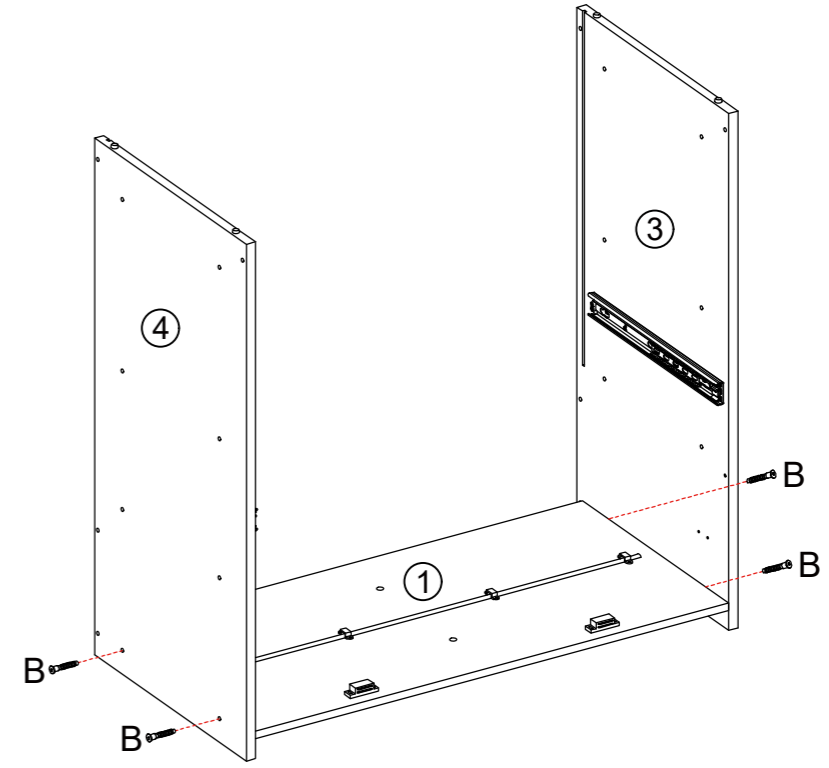
20

	JX2		OX1		DX2
	IX1		FX2		



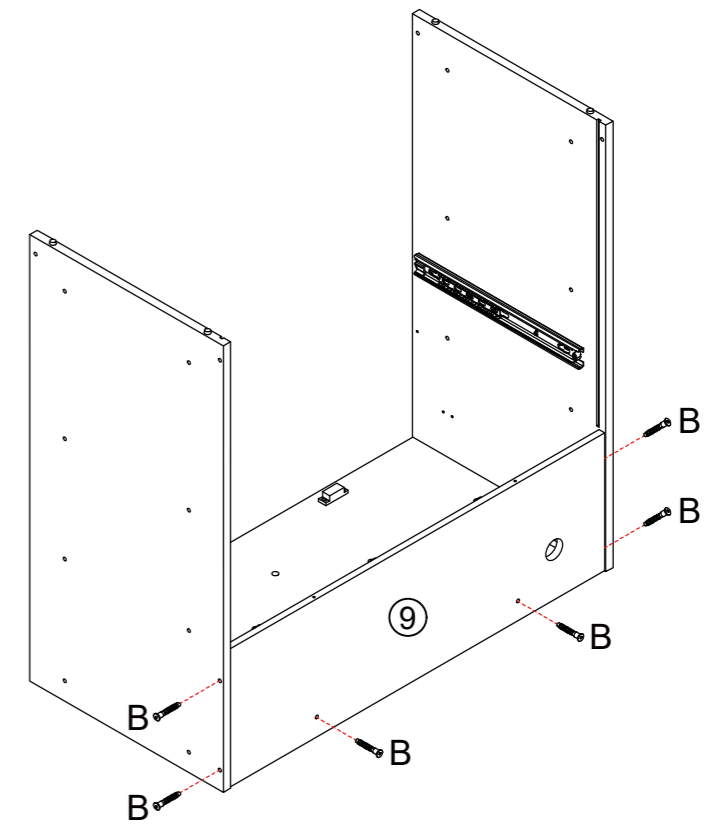
5

	BX4
--	-----



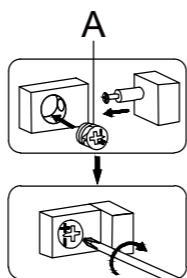
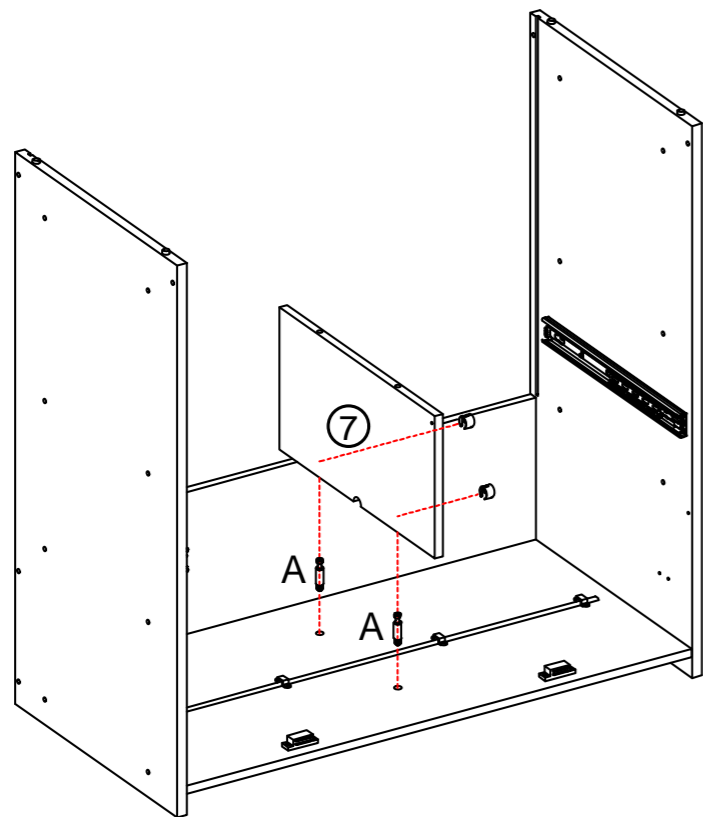
6

	BX6
--	-----

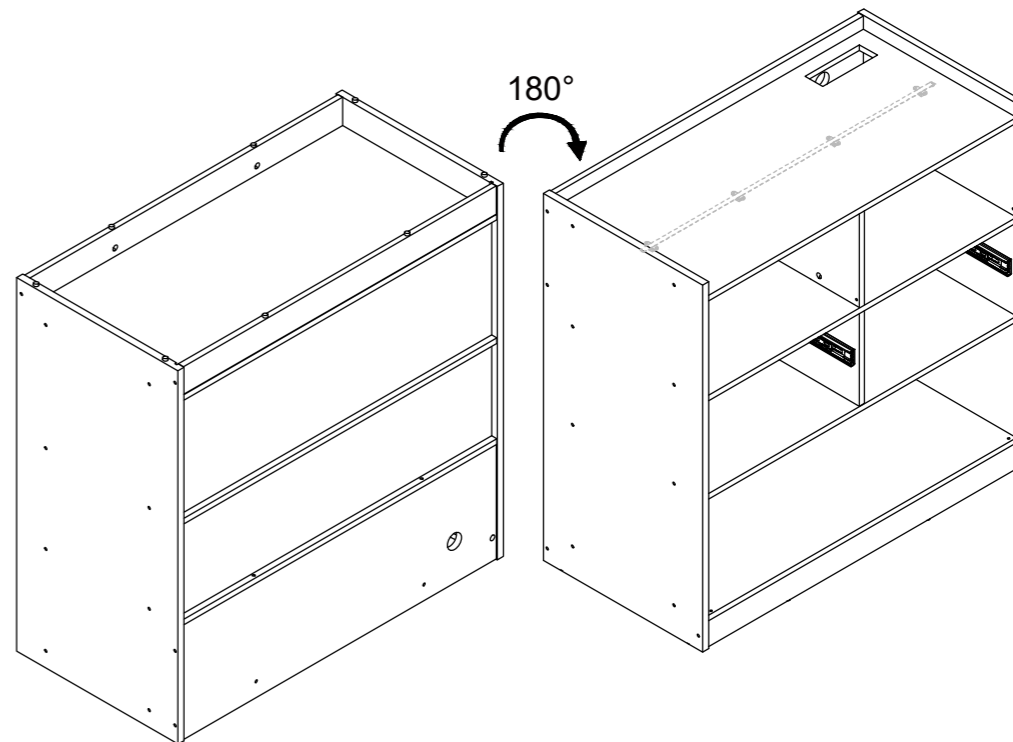


7

AX2

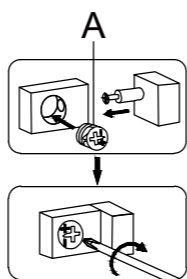
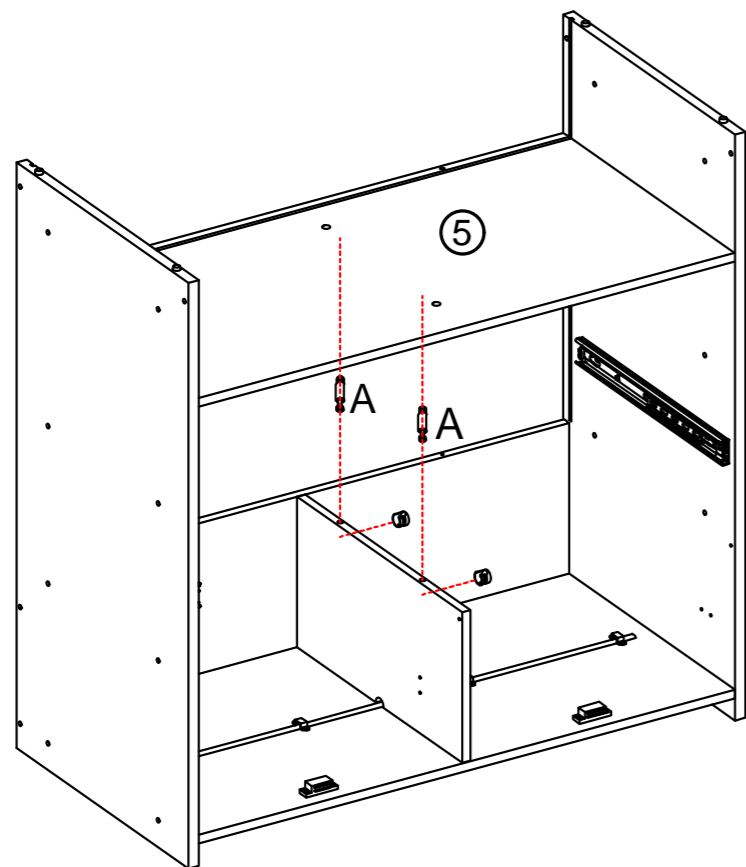


17



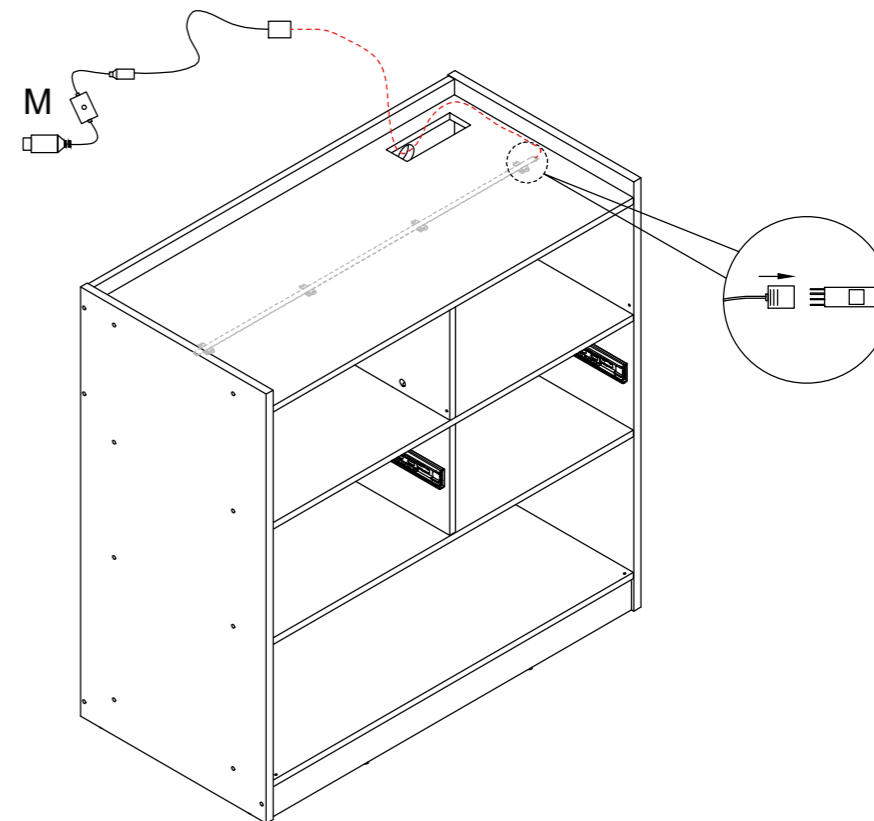
8

AX2



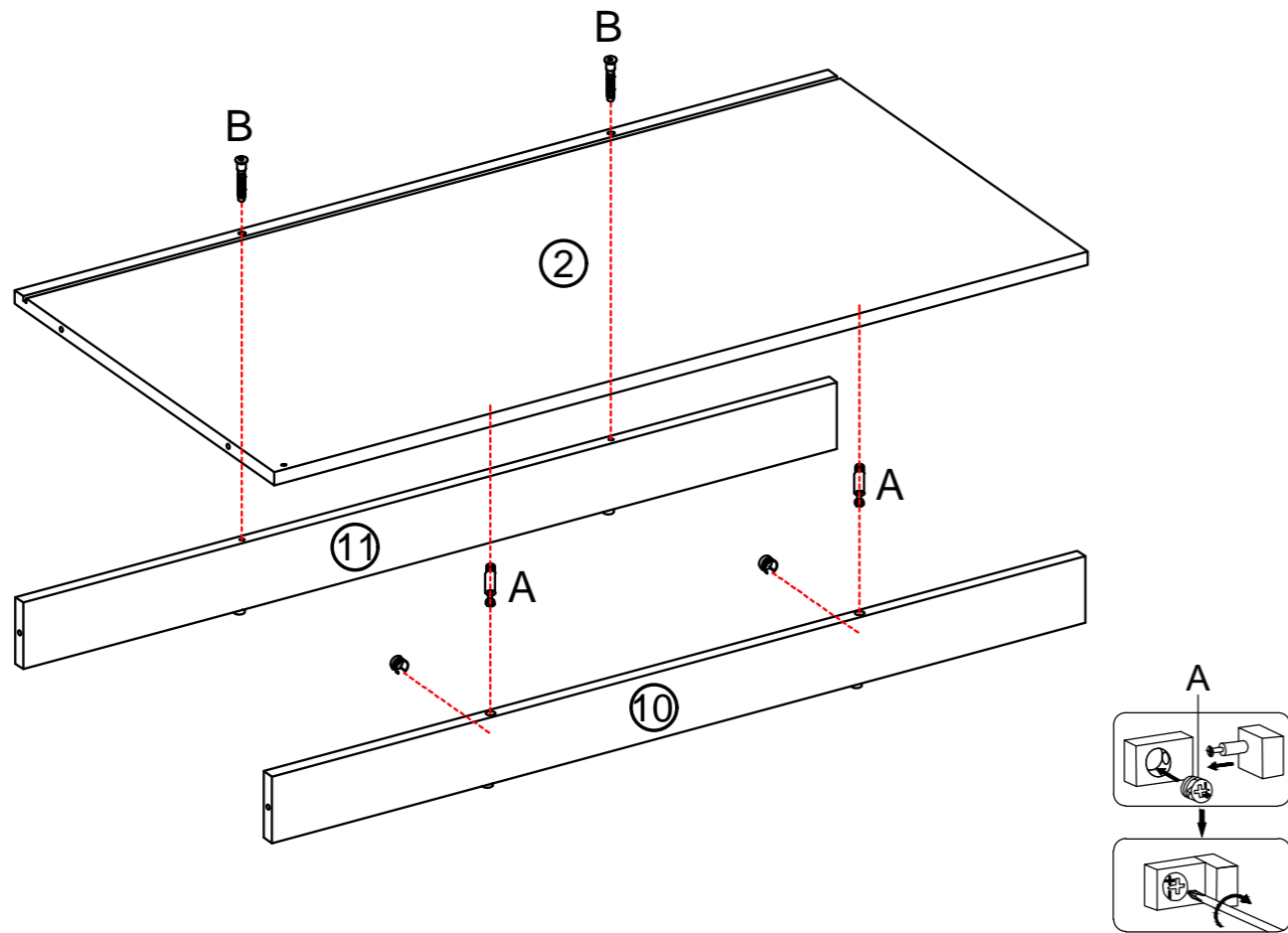
MX1

18



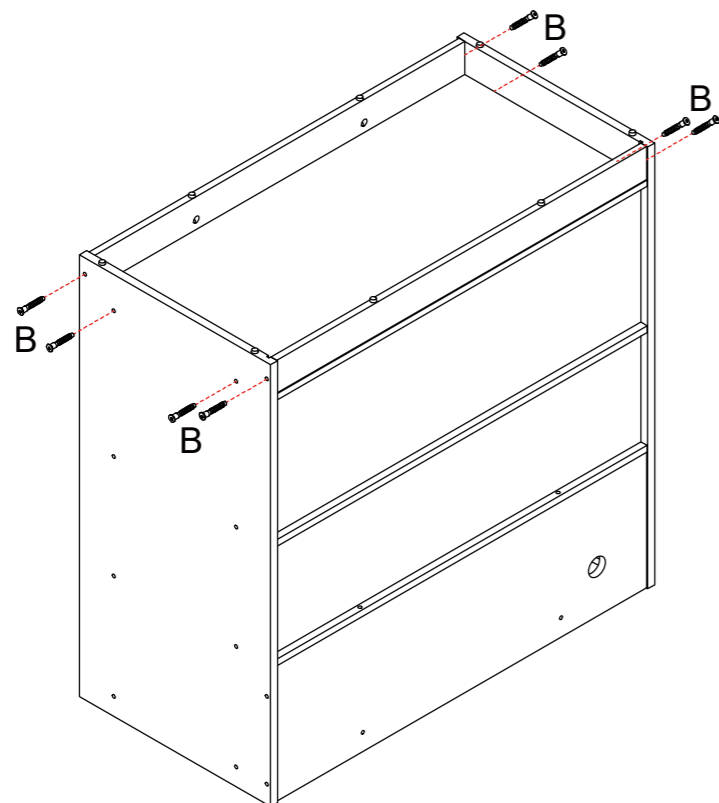
15

AX2 BX2



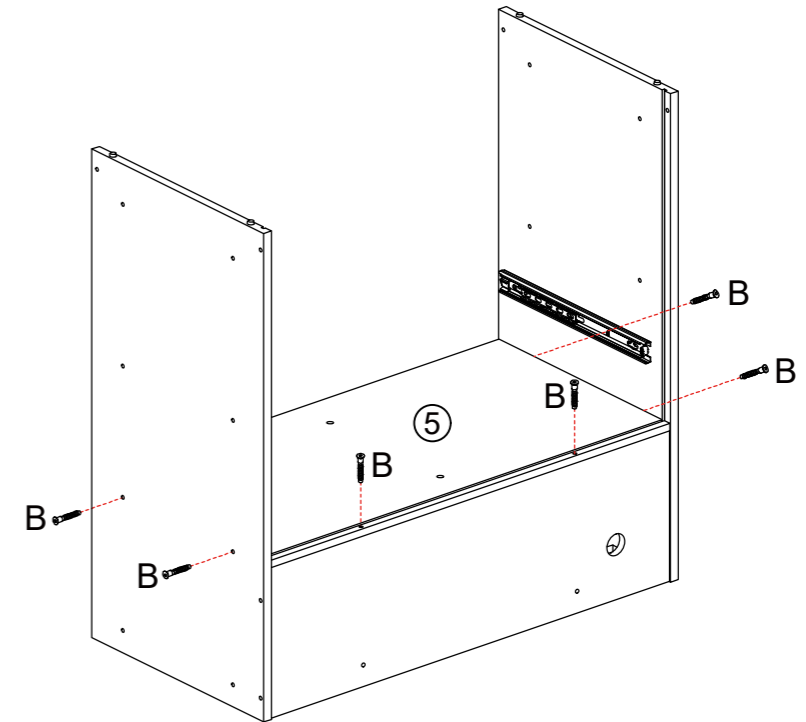
16

BX8



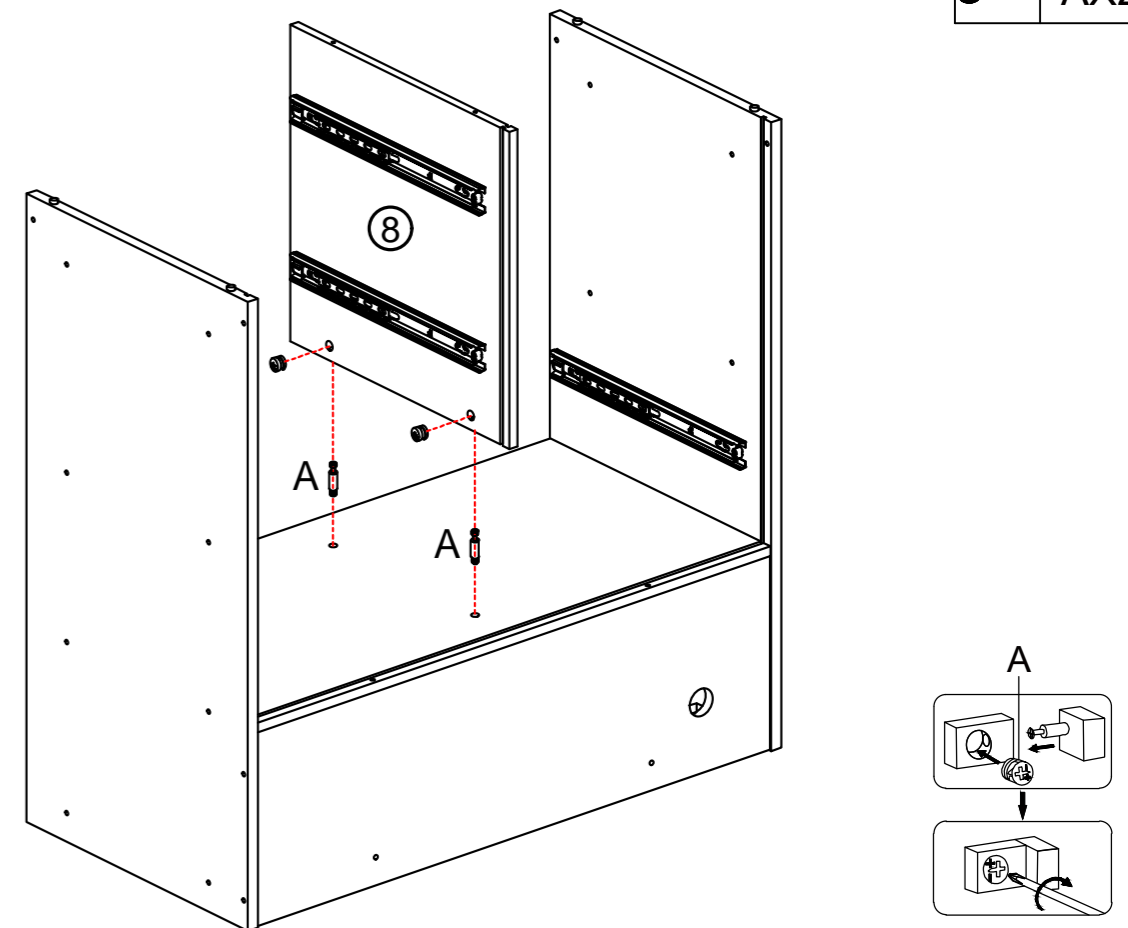
9

BX6

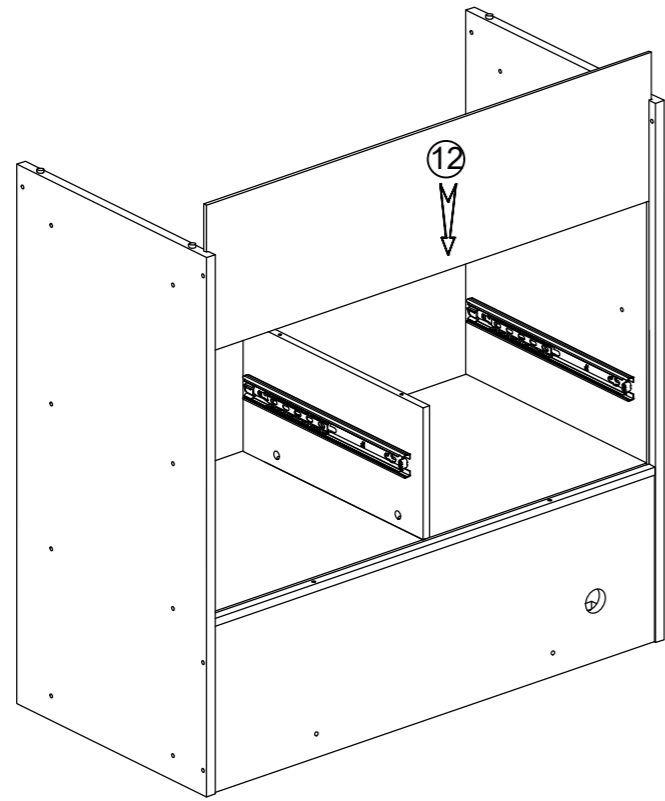


10

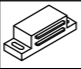
AX2

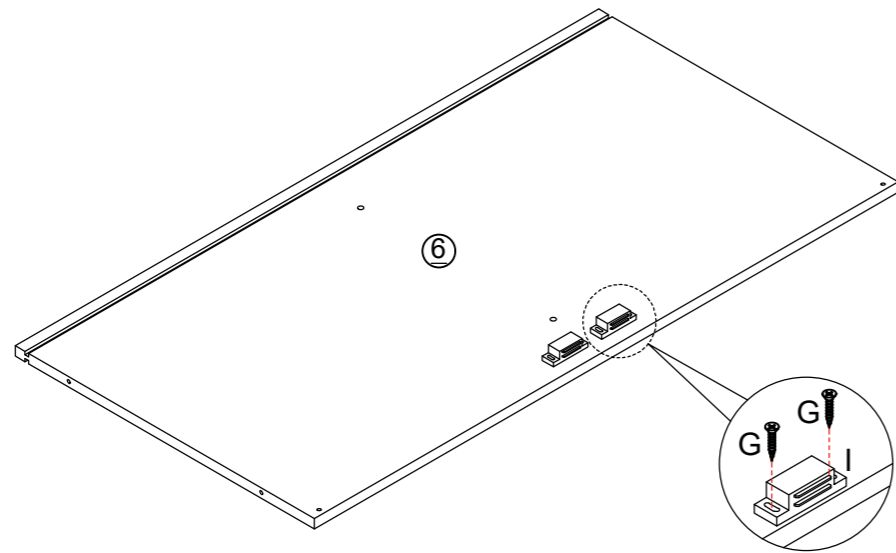


11



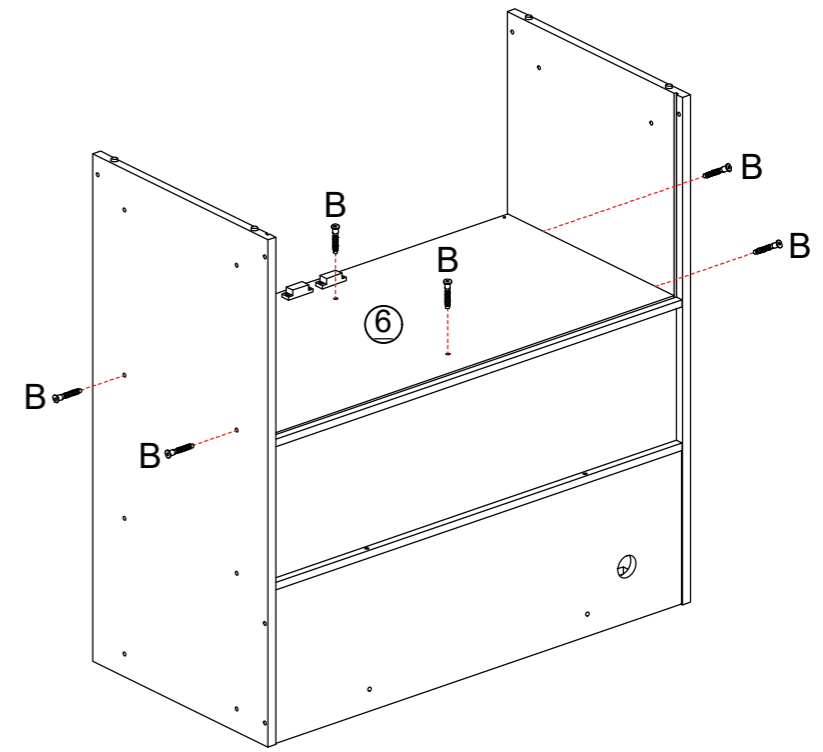
12

 GX4
  IX2



 BX6

13



14

